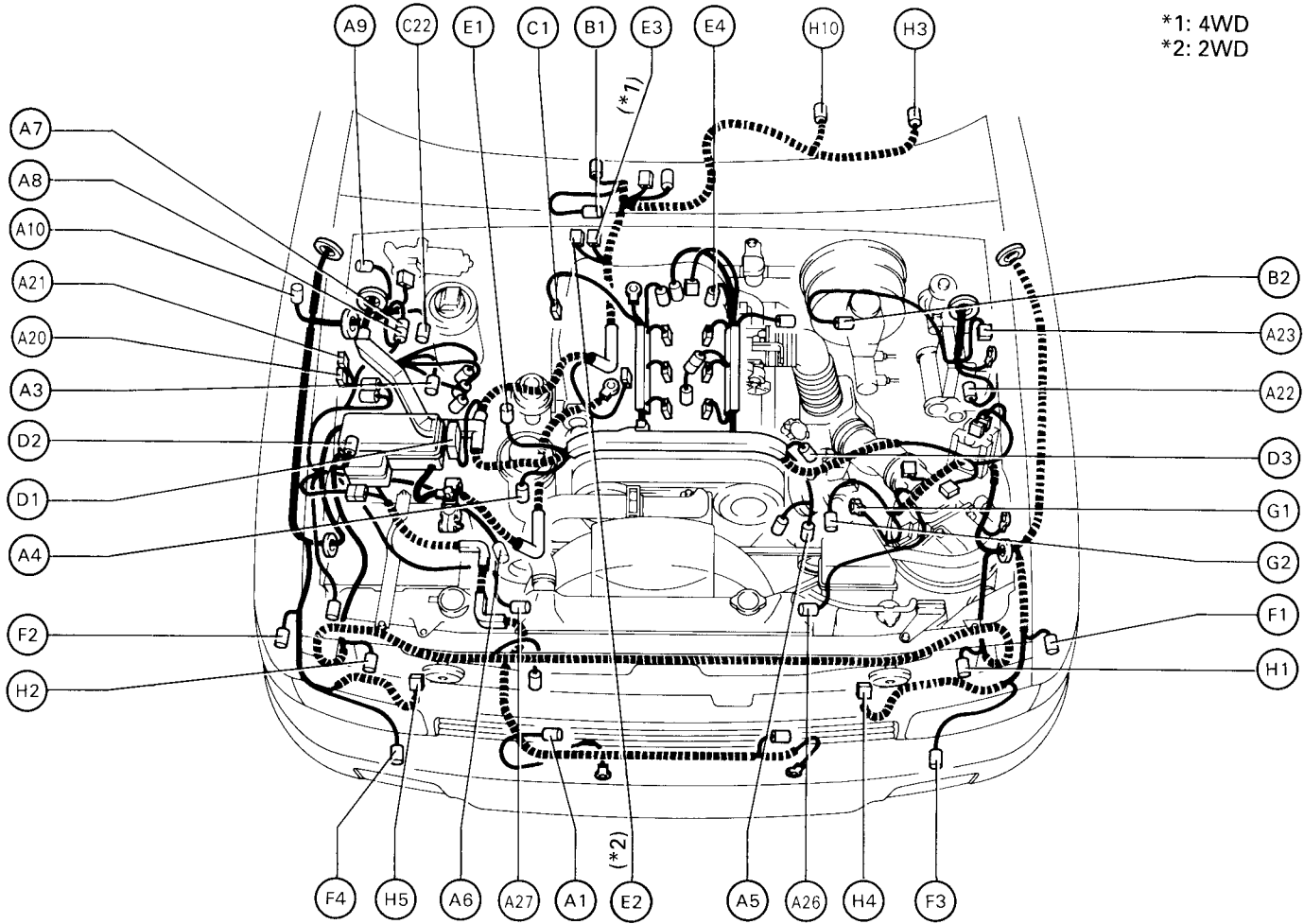


ELECTRICAL WIRING ROUTING

Position of Parts in Engine Compartment

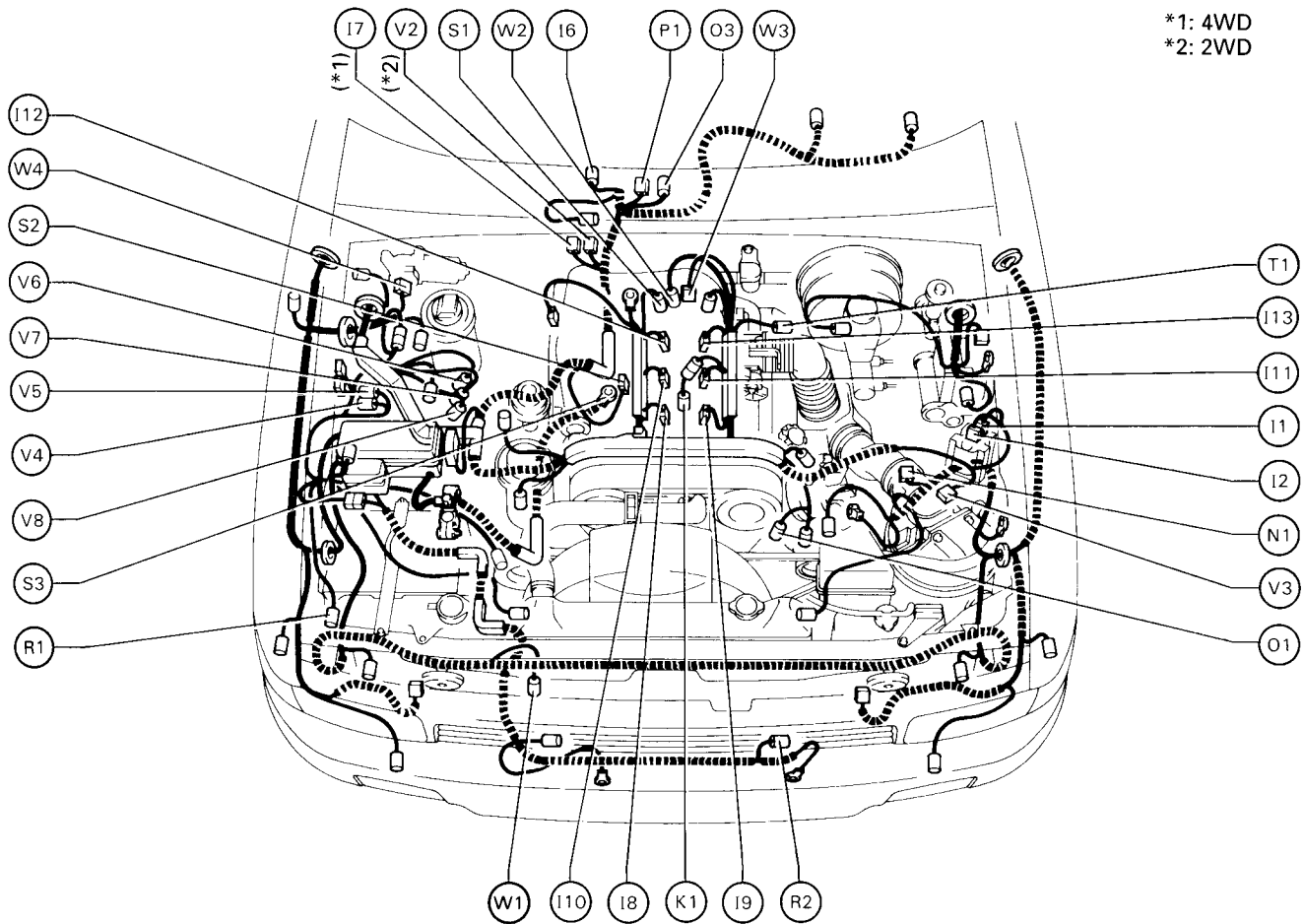
[3VZ-E]



*1: 4WD
*2: 2WD

- | | | | |
|------|---|------|--|
| A 1 | A/C Condenser Fan Motor | E 1 | EGR Gas Temp. Sensor |
| A 3 | A/C Idle Up VSV | E 2 | Electronically Controlled Transmission Solenoid (for 3VZ-E 2WD, 22R-E) |
| A 4 | A/C Magnetic Clutch | E 3 | Electronically Controlled Transmission Solenoid and Vehicle Speed Sensor (for 3VZ-E 4WD) |
| A 5 | ADD Indicator SW | E 4 | Engine Coolant Temp. Sensor (EFI Water Temp. Sensor) |
| A 6 | ABS Actuator (Rear Wheel ABS) | F 1 | Front Parking Light LH |
| A 7 | ABS Check Connector | F 2 | Front Parking Light RH |
| A 8 | ABS Check Connector | F 3 | Front Turn Signal Light LH |
| A 9 | ABS Relay (Rear Wheel ABS) | F 4 | Front Turn Signal Light RH |
| A 10 | Auto Antenna Motor | G 1 | Generator (Alternator) |
| A 20 | ABS Relay (4Wheel ABS) | G 2 | Generator (Alternator) |
| A 21 | ABS Relay (4Wheel ABS) | H 1 | Headlight LH |
| A 22 | ABS Actuator (4Wheel ABS) | H 2 | Headlight RH |
| A 23 | ABS Actuator (4Wheel ABS) | H 3 | Heated Oxygen Sensor (Oxygen Sensor) Main |
| A 26 | ABS Speed Sensor Front Left (4Wheel ABS) | H 4 | Horn LH |
| A 27 | ABS Speed Sensor Front Right (4Wheel ABS) | H 5 | Horn RH |
| B 1 | Back-Up Light SW (for M/T) | H 10 | Heated Oxygen Sensor (Oxygen Sensor) Sub |
| B 2 | Brake Fluid Level SW | | |
| C 1 | Cold Start Injector | | |
| C 22 | Cruise Control Actuator (Motor Type) | | |
| D 1 | Data Link Connector 1 (Check Connector) | | |
| D 2 | Daytime Running Light Resistor (for Canada) | | |
| D 3 | Distributor (for 3VZ-E) | | |

Position of Parts in Engine Compartment



*1: 4WD
*2: 2WD

- | | |
|--|---|
| <p>I 1 Igniter (for 3VZ-E)
I 2 Ignition Coil (for 3VZ-E)
I 6 Indicator SW (for Transfer, M/T)
I 7 Indicator SW (for Transfer Position, A/T 3VZ-E),
Transfer Fluid Temp. Sensor (for 3VZ-E) and
Transfer Oil Pressure SW (for ADD 3VZ-E)
I 8 Injector No. 1
I 9 Injector No. 2
I 10 Injector No. 3
I 11 Injector No. 4
I 12 Injector No. 5 (for 3VZ-E)
I 13 Injector No. 6 (for 3VZ-E)

K 1 Knock Sensor

N 1 Noise Filter (for Ignition)

O 1 Oil Pressure SW
O 3 Oil Temp. Sensor (for 4WD A/T 3VZ-E)

P 1 Park/Neutral Position SW (Neutral Start SW) and
Back-Up Light SW (for A/T)</p> | <p>R 1 Rear Washer Motor
R 2 Resistor (for Condenser Fan)

S 1 Start Injector Time SW
S 2 Starter
S 3 Starter

T 1 Throttle Position Sensor

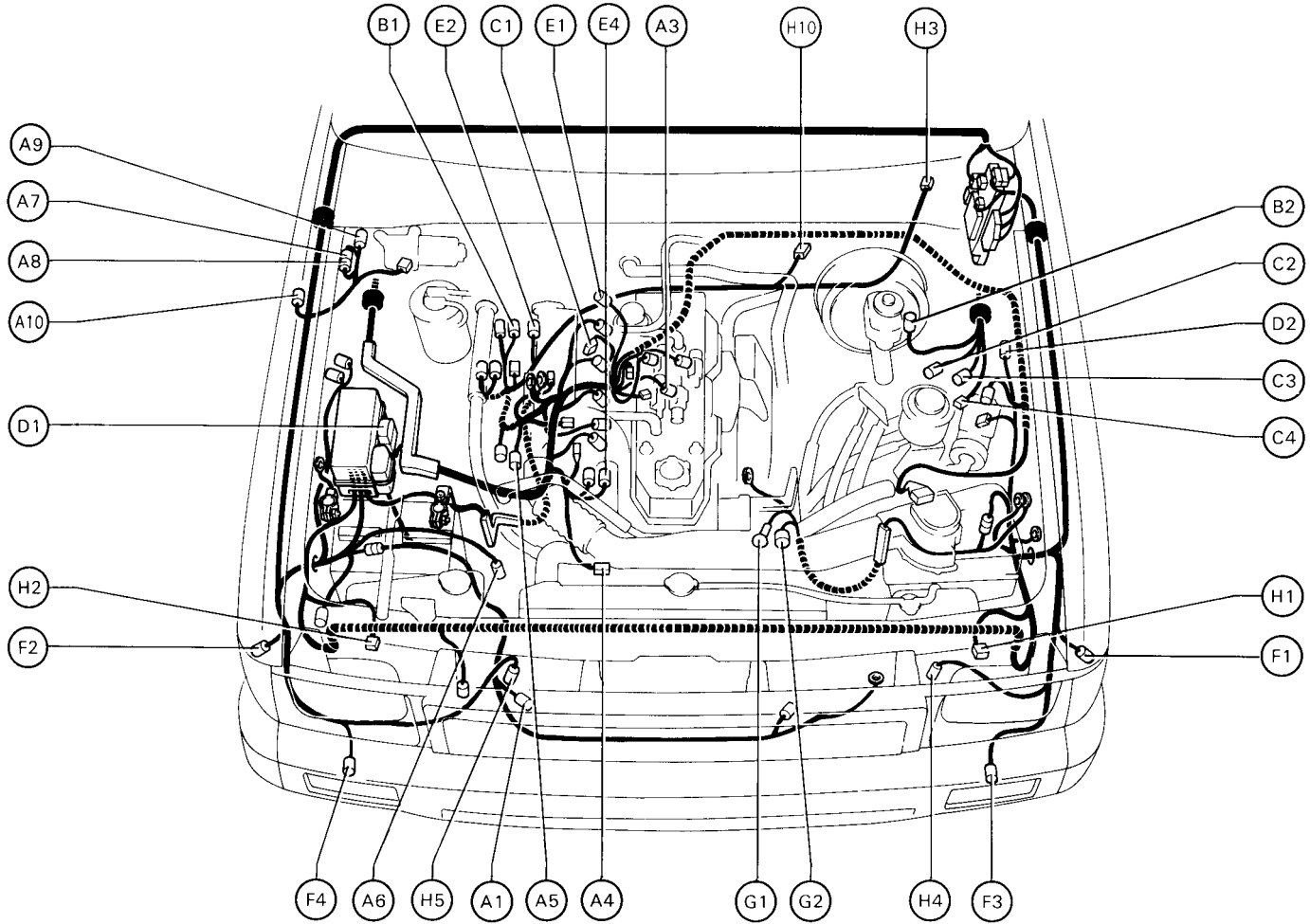
V 2 Vehicle Speed Sensor (Speed Sensor) (for
Electronically Controlled Transmission)
V 3 Volume Air Flow (Air Flow Meter)
V 4 VSV (for 2WD, ADD)
V 5 VSV (for 4WD, ADD)
V 6 VSV (for PAIR)
V 7 VSV (for EGR)
V 8 VSV (for FPU)

W 1 Washer Motor
W 2 Water Temp. SW (for 3VZ-E)
W 3 Water Temp. Sensor
W 4 Wiper Motor</p> |
|--|---|

ELECTRICAL WIRING ROUTING

Position of Parts in Engine Compartment

[22R-E]



- A 1 A/C Condenser Fan Motor
- A 3 A/C Idle-Up VSV
- A 4 A/C Magnetic Clutch
- A 5 ADD Indicator SW
- A 6 ABS Actuator
- A 7 ABS Check Connector
- A 8 ABS Check Connector
- A 9 ABS Relay
- A 10 Auto Antenna Motor

- B 1 Back-Up Light SW (for M/T)
- B 2 Brake Fluid Level SW

- C 1 Cold Start Injector
- C 2 Cruise Control Actuator
- C 3 Cruise Control Vacuum Pump
- C 4 Cruise Control Vacuum SW

- D 1 Data Link Connector 1 (Check Connector)
- D 2 Daytime Running Light Resistor (for Canada)

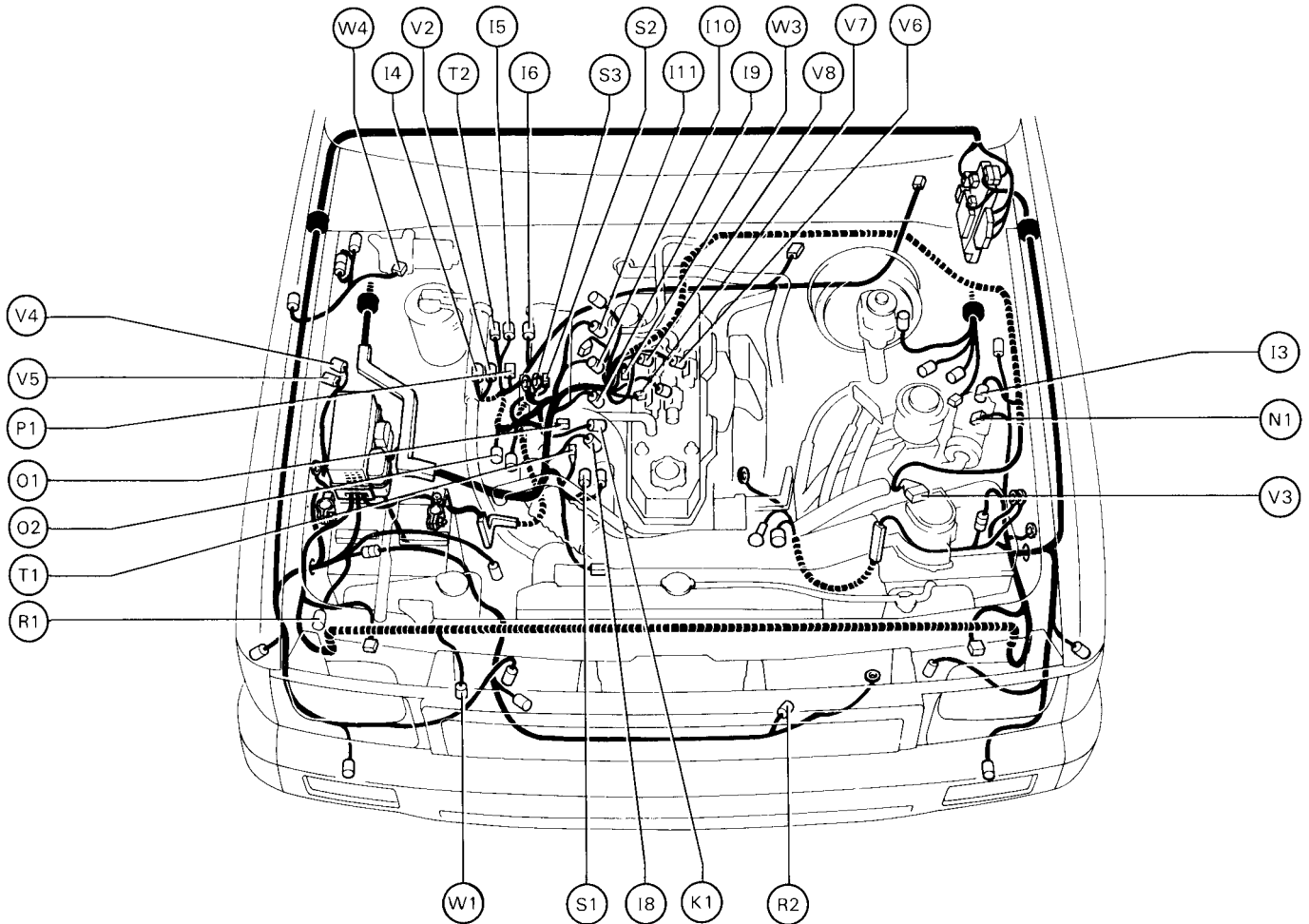
- E 1 EGR Gas Temp. Sensor
- E 2 Electronically Controlled Transmission Solenoid (for 22R-E)
- E 4 Engine Coolant Temp. Sensor (EFI Water Temp. Sensor)

- F 1 Front Parking Light LH
- F 2 Front Parking Light RH
- F 3 Front Turn Signal Light LH
- F 4 Front Turn Signal Light RH

- G 1 Generator (Alternator)
- G 2 Generator (Alternator)

- H 1 Headlight LH
- H 2 Headlight RH
- H 3 Heated Oxygen Sensor (Oxygen Sensor) Main
- H 4 Horn LH
- H 5 Horn RH
- H 10 Heated Oxygen Sensor (Oxygen Sensor) Sub

Position of Parts in Engine Compartment

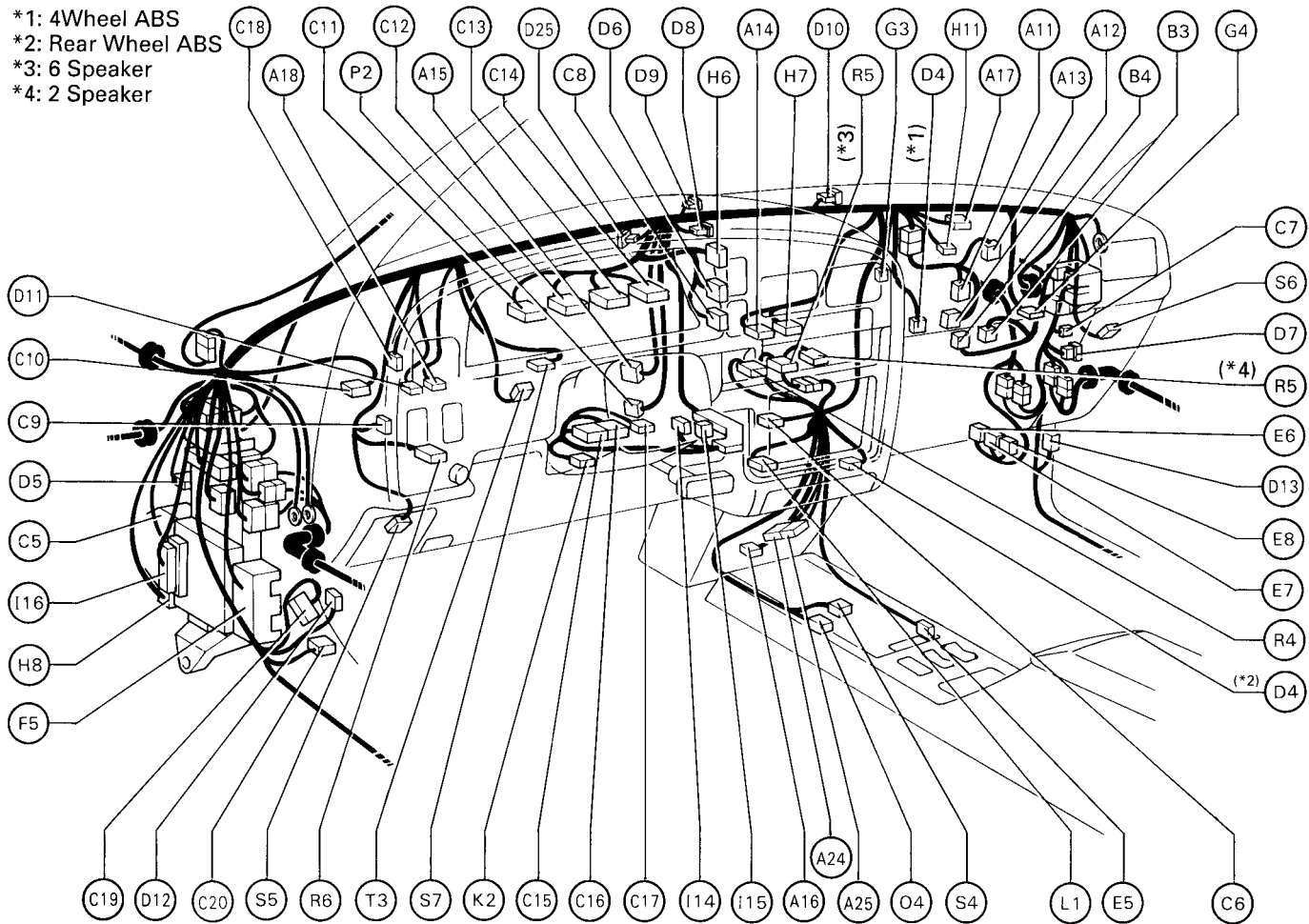


- | | |
|--|--|
| <p>I 3 Ignition Coil and Igniter (for 22R-E)</p> <p>I 4 Indicator SW (for Transfer, A/T 22R-E) and Transfer Oil Pressure SW (for ADD, w/ Electronically Controlled Transmission 22R-E)</p> <p>I 5 Indicator SW (for Transfer L4 Position SW) (for A/T 22R-E)</p> <p>I 6 Indicator SW (for Transfer, M/T)</p> <p>I 8 Injector No. 1</p> <p>I 9 Injector No. 2</p> <p>I 10 Injector No. 3</p> <p>I 11 Injector No. 4</p> <p>K 1 Knock Sensor</p> <p>N 1 Noise Filter (for Ignition)</p> <p>O 1 Oil Pressure SW</p> <p>O 2 Oil Temp. SW (for 4WD A/T 22R-E)</p> <p>P 1 Park/Neutral Position SW (Neutral Start SW) and Back-Up Light SW (for A/T)</p> | <p>R 1 Rear Washer Motor</p> <p>R 2 Resistor (for Condenser Fan)</p> <p>S 1 Start Injector Time SW</p> <p>S 2 Starter</p> <p>S 3 Starter</p> <p>T 1 Throttle Position Sensor</p> <p>T 2 Transfer Neutral Position SW</p> <p>V 2 Vehicle Speed Sensor (Speed Sensor) (for Electronically Controlled Transmission of 22R-E)</p> <p>V 3 Volume Air Flow (Air Flow Meter)</p> <p>V 4 VSV (for 2WD, ADD)</p> <p>V 5 VSV (for 4WD, ADD)</p> <p>V 6 VSV (for PAIR)</p> <p>V 7 VSV (for EGR)</p> <p>V 8 VSV (for FPU)</p> <p>W 1 Washer Motor</p> <p>W 3 Water Temp. Sender</p> <p>W 4 Wiper Motor</p> |
|--|--|

ELECTRICAL WIRING ROUTING

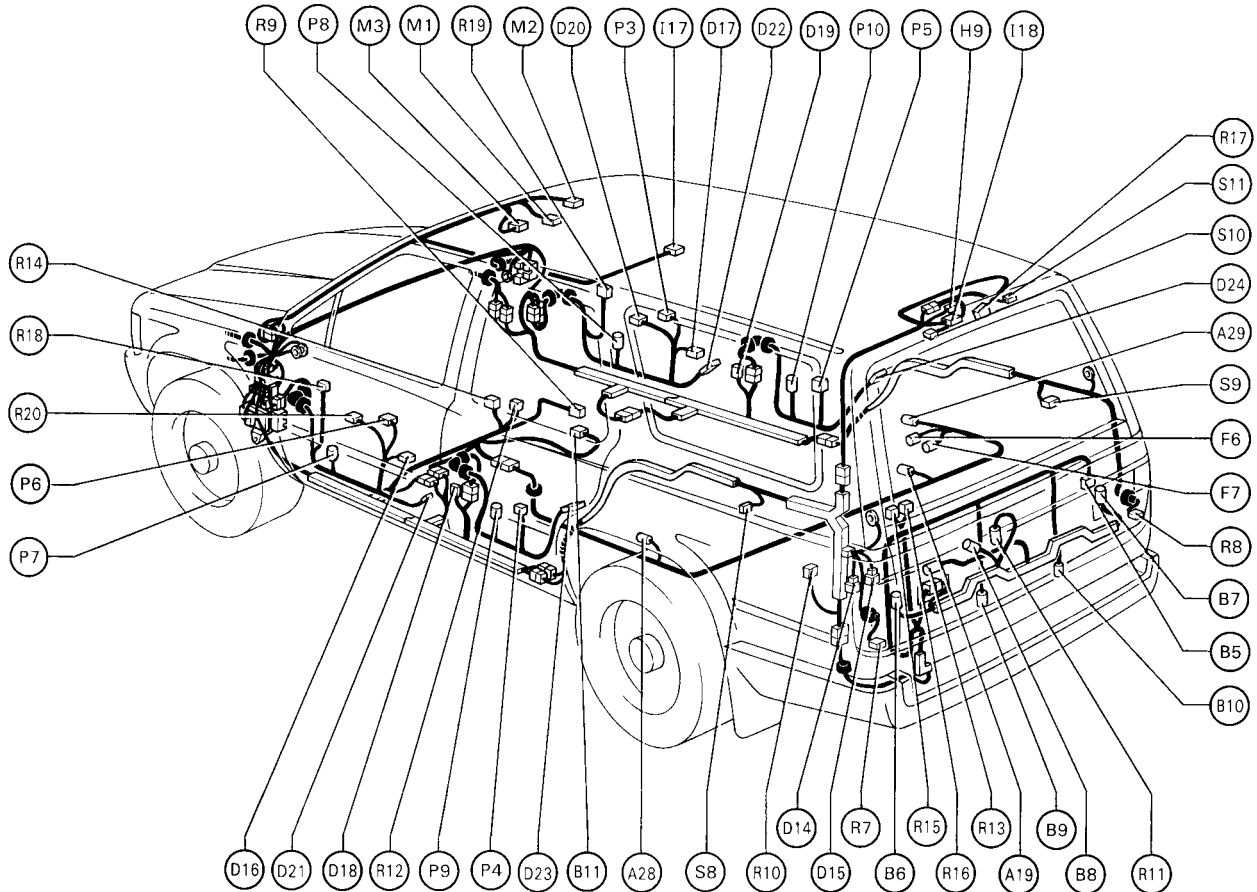
Position of Parts in Instrument Panel

- *1: 4Wheel ABS
- *2: Rear Wheel ABS
- *3: 6 Speaker
- *4: 2 Speaker



- | | | |
|--|---|--|
| A 11 A/C Amplifier | C 19 Cruise Control ECU | G 3 Glove Box Light |
| A 12 A/C Cut Relay (for 4WD A/T of 3VZ-E) | C 20 Cruise Control Main Relay | G 4 Glove Box Light SW |
| A 13 A/C Thermistor and A/C Triple Pressure SW (A/C Dual and Single Pressure SW) | D 4 Daytime Running Light Relay (Main) | H 6 Hazard SW |
| A 14 A/C SW | D 5 Daytime Running Light Relay No. 4 | H 7 Heater Blower SW |
| A 15 ADD Control Relay | D 6 Defogger SW | H 8 Horn Relay |
| A 16 ABS Deceleration Sensor (Rear Wheel ABS) | D 7 Diode (for ADD) | H 11 Headlight Auto Cut ECU (4Wheel ABS) |
| A 17 ABS ECU (Rear Wheel ABS) | D 8 Diode (for Power Window) | I 14 Ignition Key Cylinder Light |
| A 18 Auto Antenna Control Relay | D 9 Diode No. 1 (for Daytime Running Light System) | I 15 Ignition SW and Unlock Warning SW |
| A 24 ABS ECU (4Wheel ABS) | D 10 Diode No. 2 (for Daytime Running Light System) | I 16 Integration Relay |
| A 25 ABS ECU (4Wheel ABS) | D 11 Door Control Relay | K 2 Key Interlock Solenoid |
| B 3 Blower Motor | D 12 Door Courtesy SW Front LH | L 1 Light Reminder Relay |
| B 4 Blower Resistor | D 13 Door Courtesy SW Front RH | O 4 O/D Main SW |
| C 5 Cassette Relay Block (Defogger Relay, POWER Fuse) | D 25 Diode (for Rear Power Window) | P 2 Parking Brake SW |
| C 6 Cigarette Lighter | E 5 Electronically Controlled Transmission Pattern Select SW | R 3 Radio |
| C 7 Circuit Opening Relay | E 6 Engine Control Module (Engine and Electronically Controlled Transmission ECU (A/T), Engine ECU (M/T)) | R 4 Radio and Player |
| C 8 Clock | E 7 Engine Control Module (Engine and Electronically Controlled Transmission ECU (A/T), Engine ECU (M/T)) | R 5 Radio and Player |
| C 9 Clutch Start Cansel SW | E 8 Engine Control Module (Engine and Electronically Controlled Transmission ECU (A/T), Engine ECU (M/T)) | R 6 Rheostat |
| C 10 Clutch Start SW | F 5 Fuse Block (20A DEFOG, 15A REAR ANTI LOCK, 20A ECU-IG) | S 4 Shift Lock ECU |
| C 11 Combination Meter | | S 5 Speaker LH |
| C 12 Combination Meter | | S 6 Speaker RH |
| C 13 Combination Meter | | S 7 Stop Light SW |
| C 14 Combination Meter | | T 3 Turn Signal Flasher |
| C 15 Combination SW | | |
| C 16 Combination SW | | |
| C 17 Combination SW | | |
| C 18 Cruise Control Clutch SW | | |

Position of Parts in Body



- | | |
|---|--|
| <p>A 19 ABS Speed Sensor (Rear Wheel ABS)</p> <p>A 28 ABS Speed Sensor Rear LH (4Wheel ABS)</p> <p>A 29 ABS Speed Sensor Rear RH (4Wheel ABS)</p>
<p>B 5 Back Door Control SW</p> <p>B 6 Back Door Lock Detection SW LH</p> <p>B 7 Back Door Lock Detection SW RH</p> <p>B 8 Back Door Unlock Warning SW</p> <p>B 9 Back-Up and License Plate Light LH</p> <p>B 10 Back-Up and License Plate Light RH</p> <p>B 11 Buckle SW</p>
<p>D 14 Diode (for Rear Interior Light)</p> <p>D 15 Diode (for Rear Window Defogger)</p> <p>D 16 Door Courtesy Light LH</p> <p>D 17 Door Courtesy Light RH</p> <p>D 18 Door Courtesy SW Rear LH</p> <p>D 19 Door Courtesy SW Rear RH</p> <p>D 20 Door Lock Control SW RH</p> <p>D 21 Door Lock Motor, Door Unlock Detection SW, Door Key Lock and Unlock Detection SW LH</p> <p>D 22 Door Lock Motor, Door Unlock Detection SW, Door Key Lock and Unlock Detection SW RH</p> <p>D 23 Door Lock Motor Rear LH</p> <p>D 24 Door Lock Motor Rear RH</p>
<p>F 6 Fuel Pump</p> <p>F 7 Fuel Sender</p>
<p>H 9 High Mounted Stop Light</p>
<p>I 17 Interior Light (for Front)</p> <p>I 18 Interior Light (for Rear)</p> | <p>M 1 Map Light</p> <p>M 2 Moon Roof Control SW</p> <p>M 3 Moon Roof Motor</p>
<p>P 3 Power Window Control SW Front RH</p> <p>P 4 Power Window Control SW Rear LH</p> <p>P 5 Power Window Control SW Rear RH</p> <p>P 6 Power Window Master SW and Door Lock Control SW</p> <p>P 7 Power Window Motor Front LH</p> <p>P 8 Power Window Motor Front RH</p> <p>P 9 Power Window Motor Rear LH</p> <p>P 10 Power Window Motor Rear RH</p>
<p>R 7 Rear Combination Light LH</p> <p>R 8 Rear Combination Light RH</p> <p>R 9 Rear Heater</p> <p>R 10 Rear Power Window and Rear Wiper Control Relay</p> <p>R 11 Rear Power Window Limit SW</p> <p>R 12 Rear Power Window Lock SW</p> <p>R 13 Rear Power Window Motor</p> <p>R 14 Rear Power Window SW</p> <p>R 15 Rear Window Defogger (+)</p> <p>R 16 Rear Window Defogger (-)</p> <p>R 17 Rear Wiper Motor</p> <p>R 18 Remote Control Mirror LH</p> <p>R 19 Remote Control Mirror RH</p> <p>R 20 Remote Control Mirror SW</p>
<p>S 8 Speaker Rear LH</p> <p>S 9 Speaker Rear RH</p> <p>S 10 Squaker Speaker Rear LH</p> <p>S 11 Squaker Speaker Rear RH</p> |
|---|--|