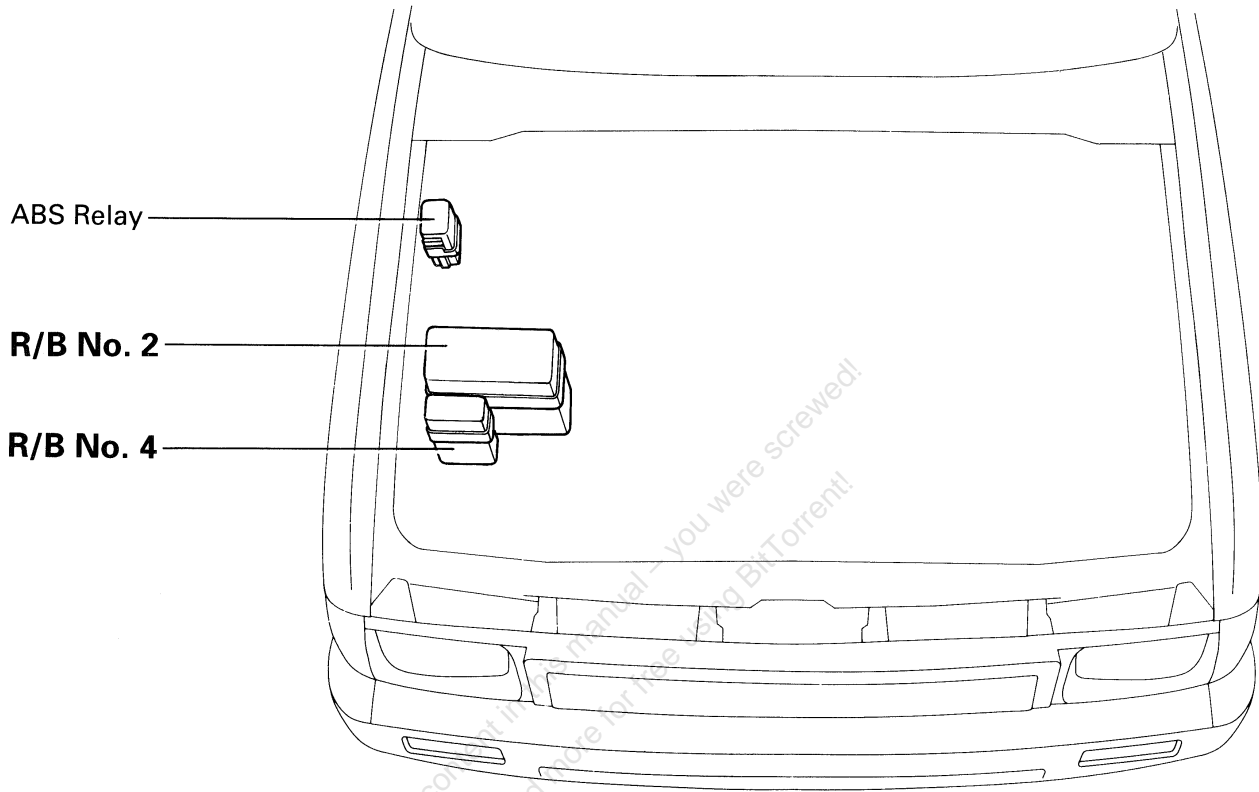
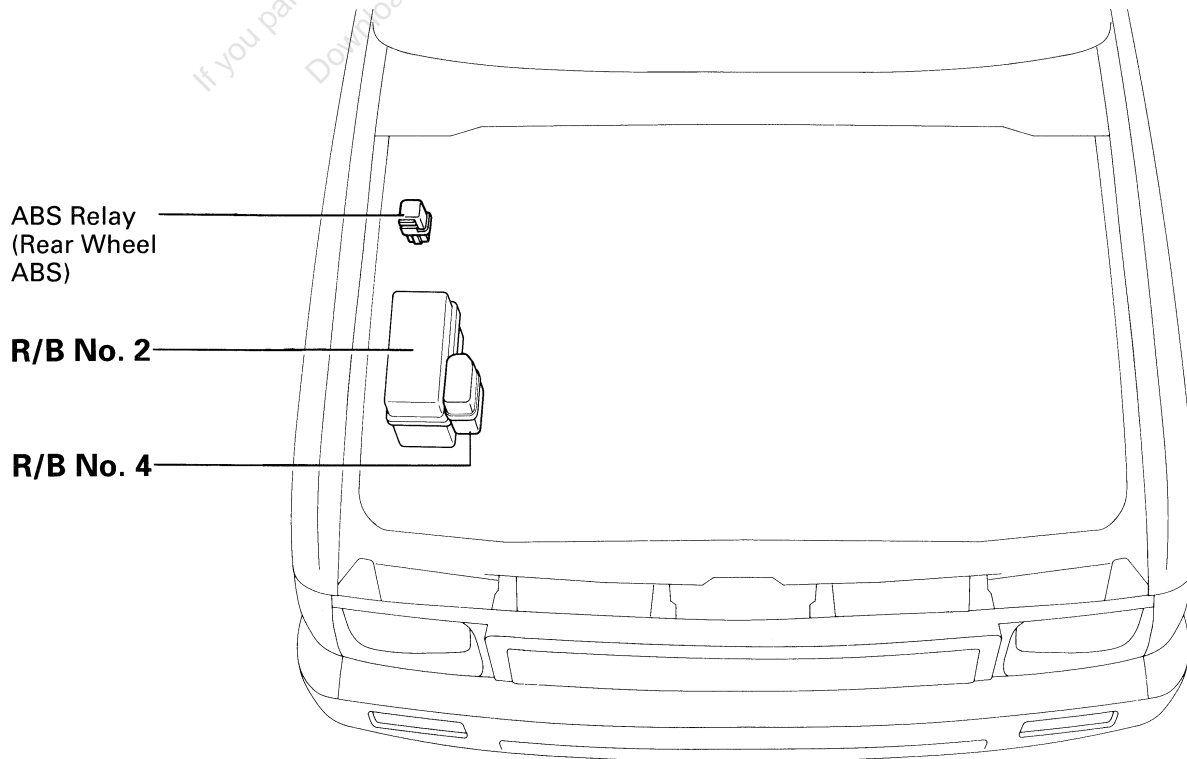


RELAY LOCATIONS

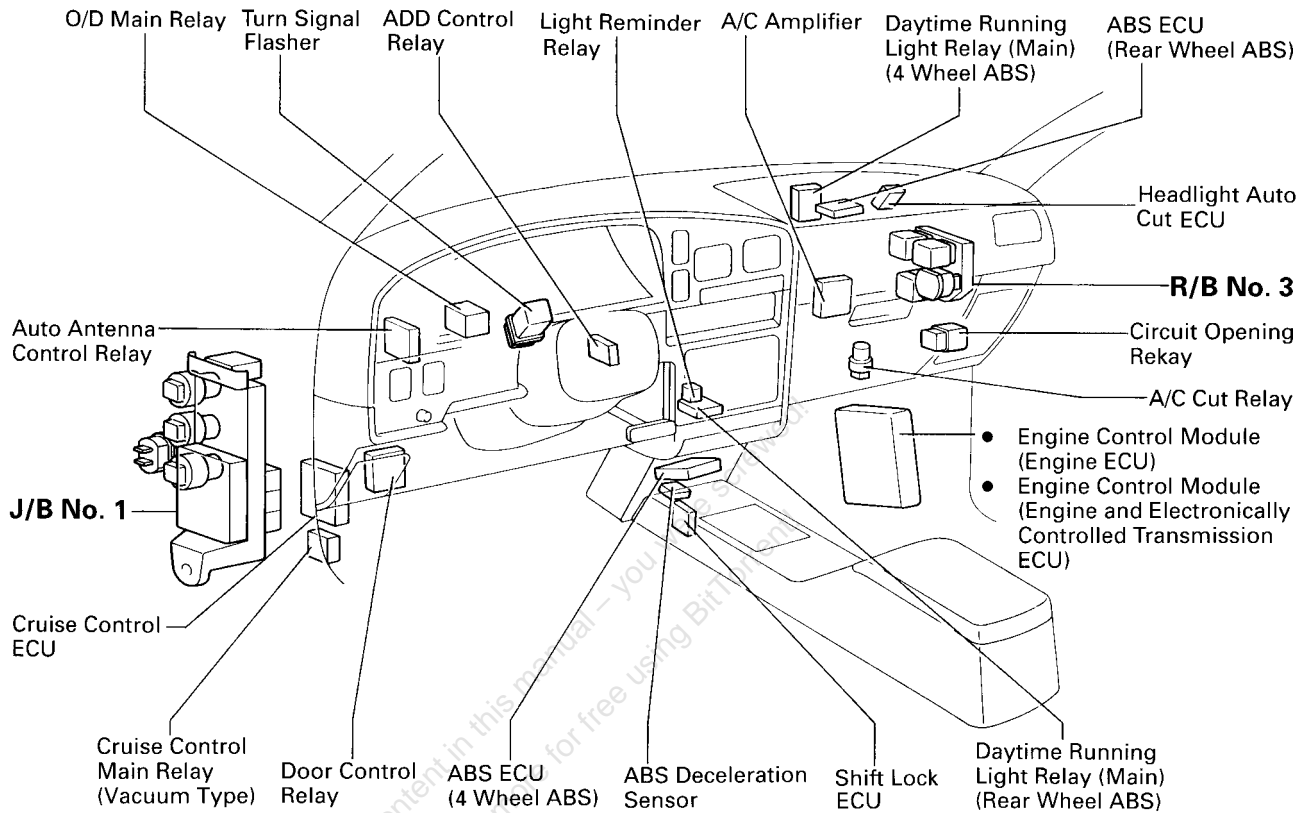
[Engine Compartment] (3VZ-E)



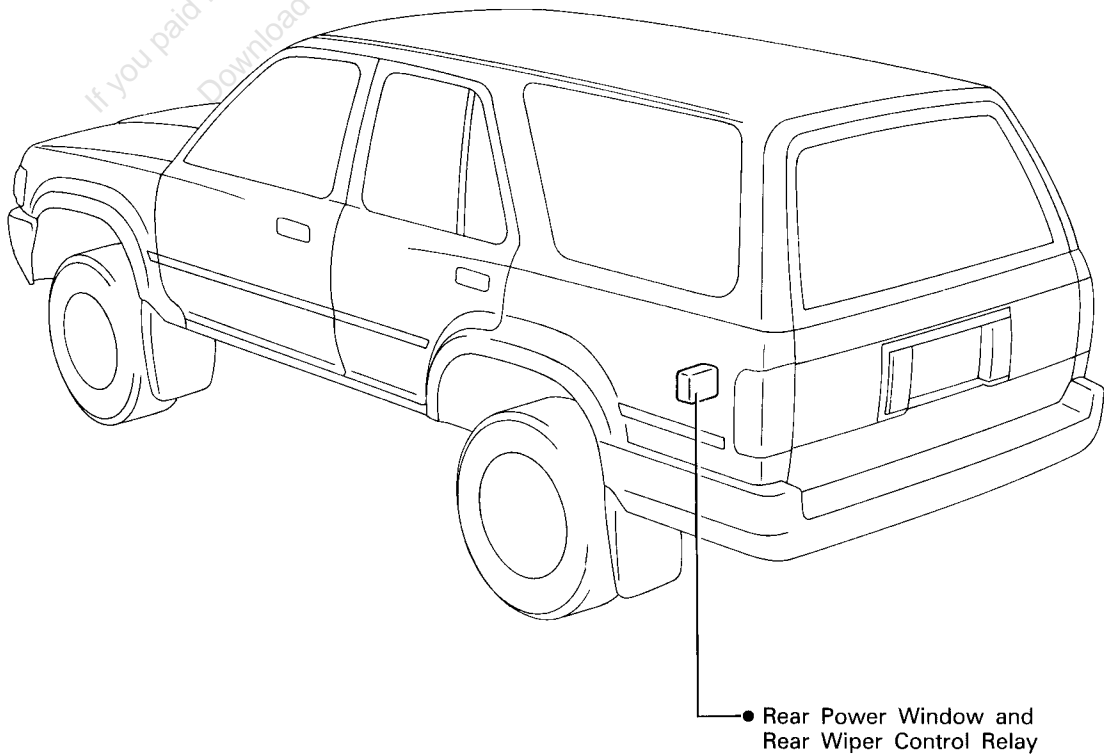
(22R-E)



[Instrument Panel]

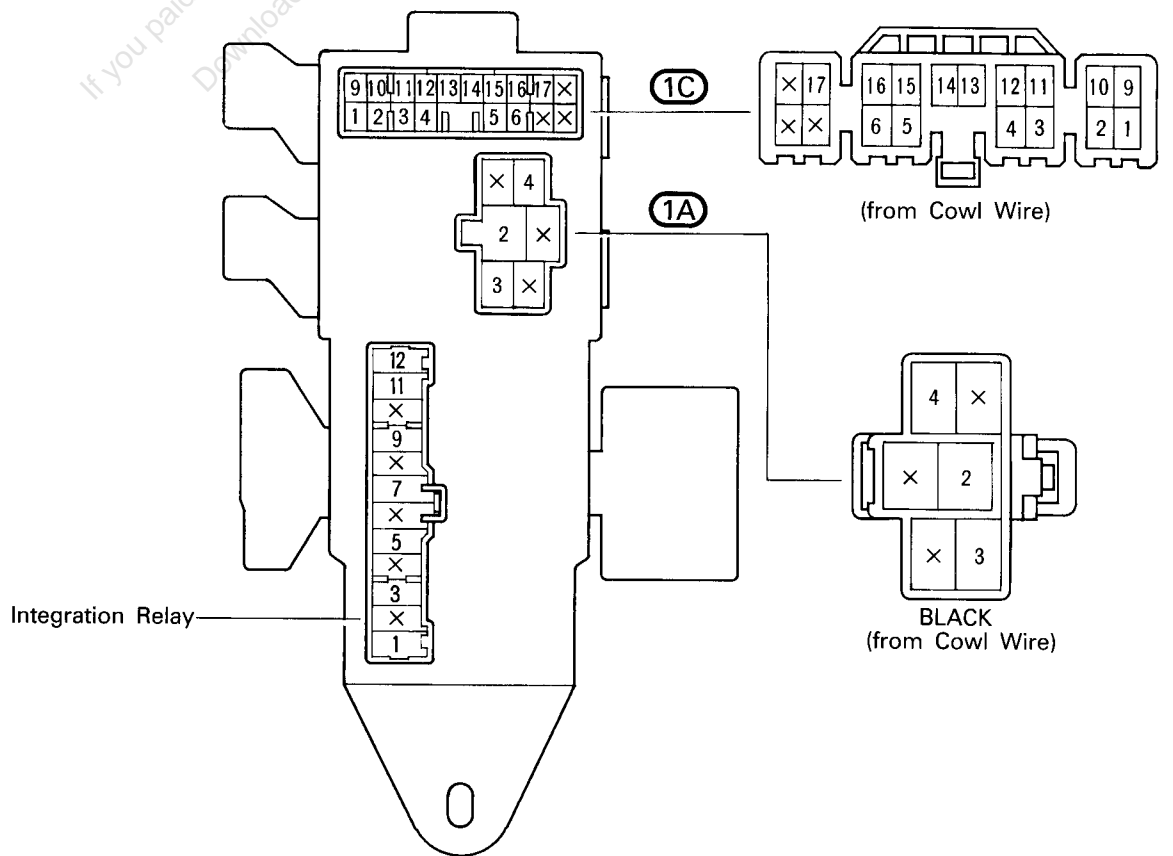
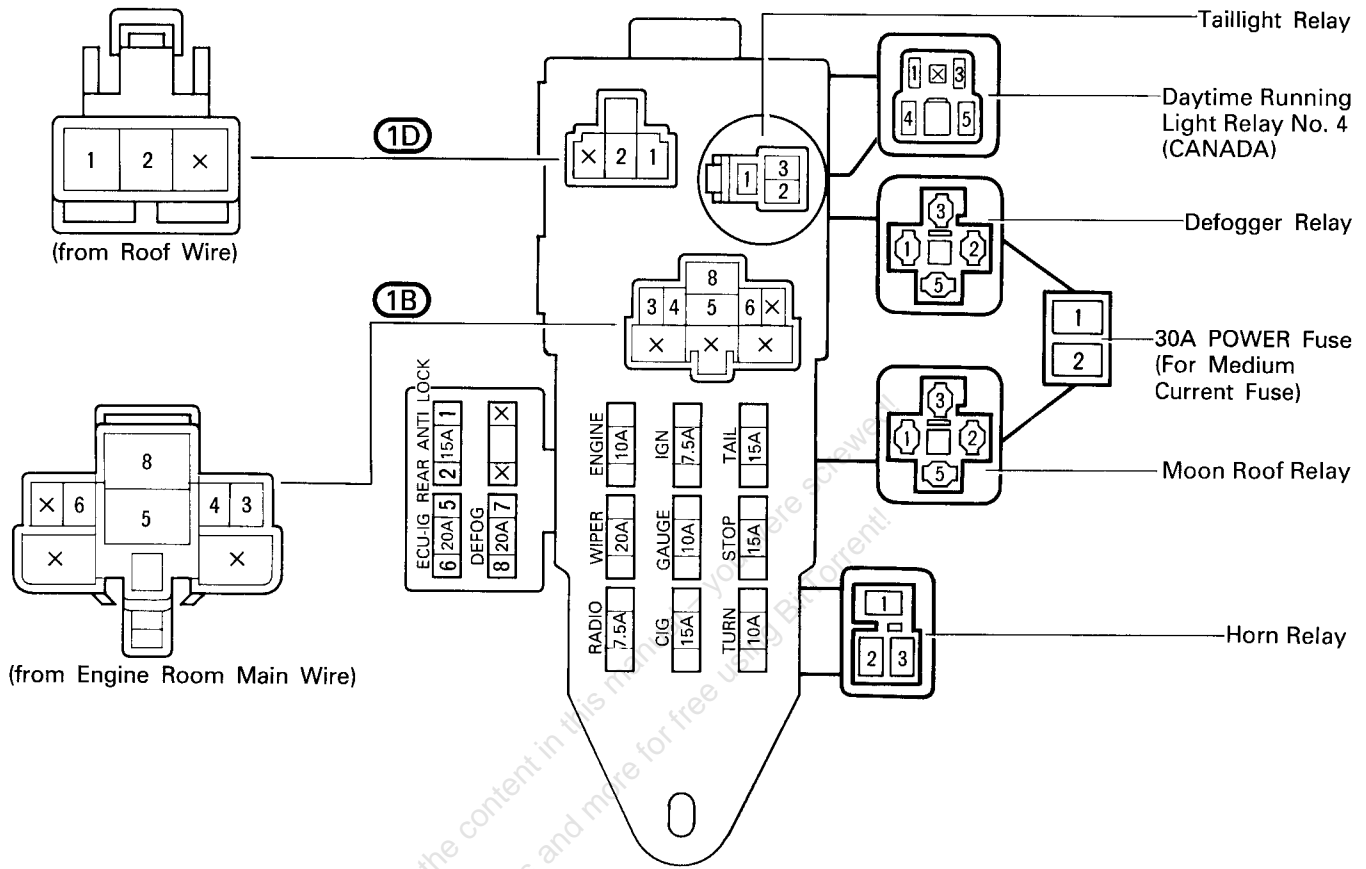


[Body]

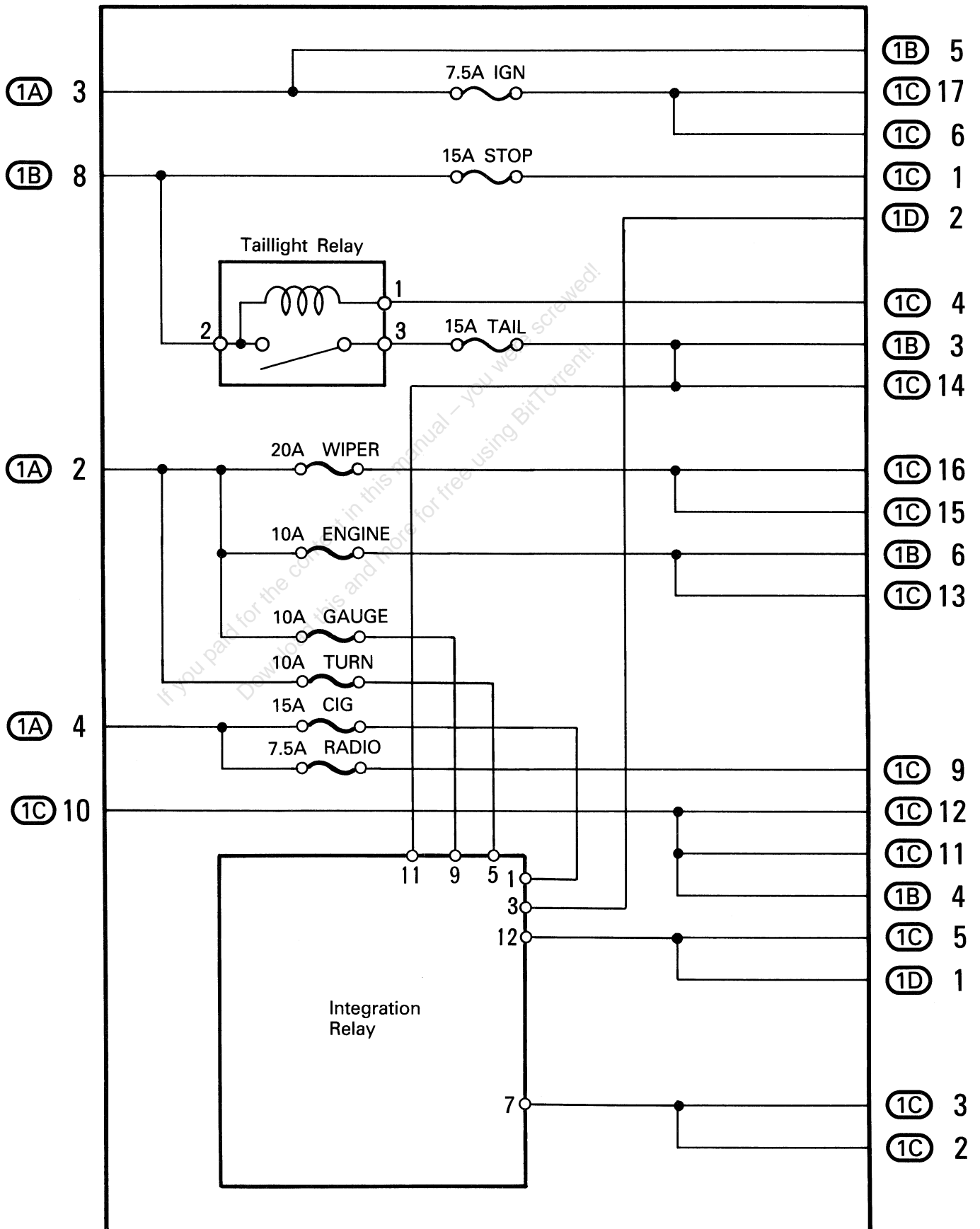


RELAY LOCATIONS

○ : J/B No. 1 Left Kick Panel (See Page 19)

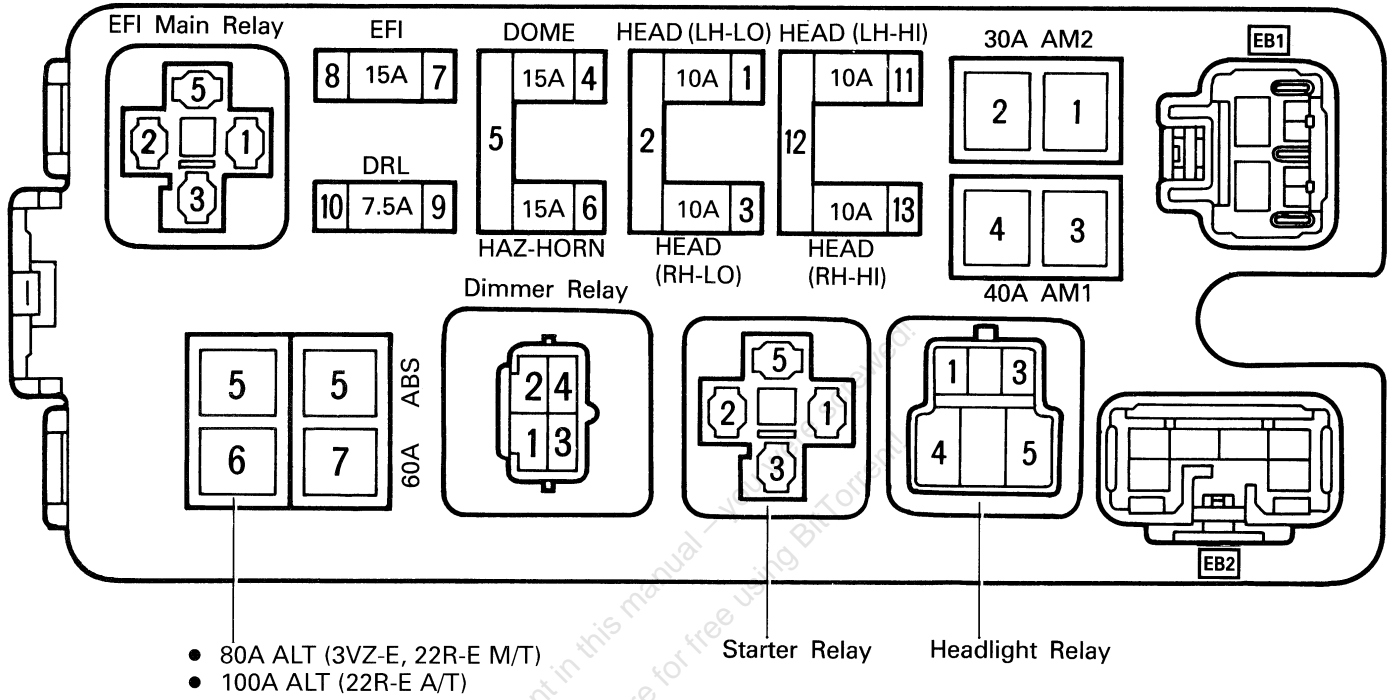


[J/B No. 1 Inner Circuit]

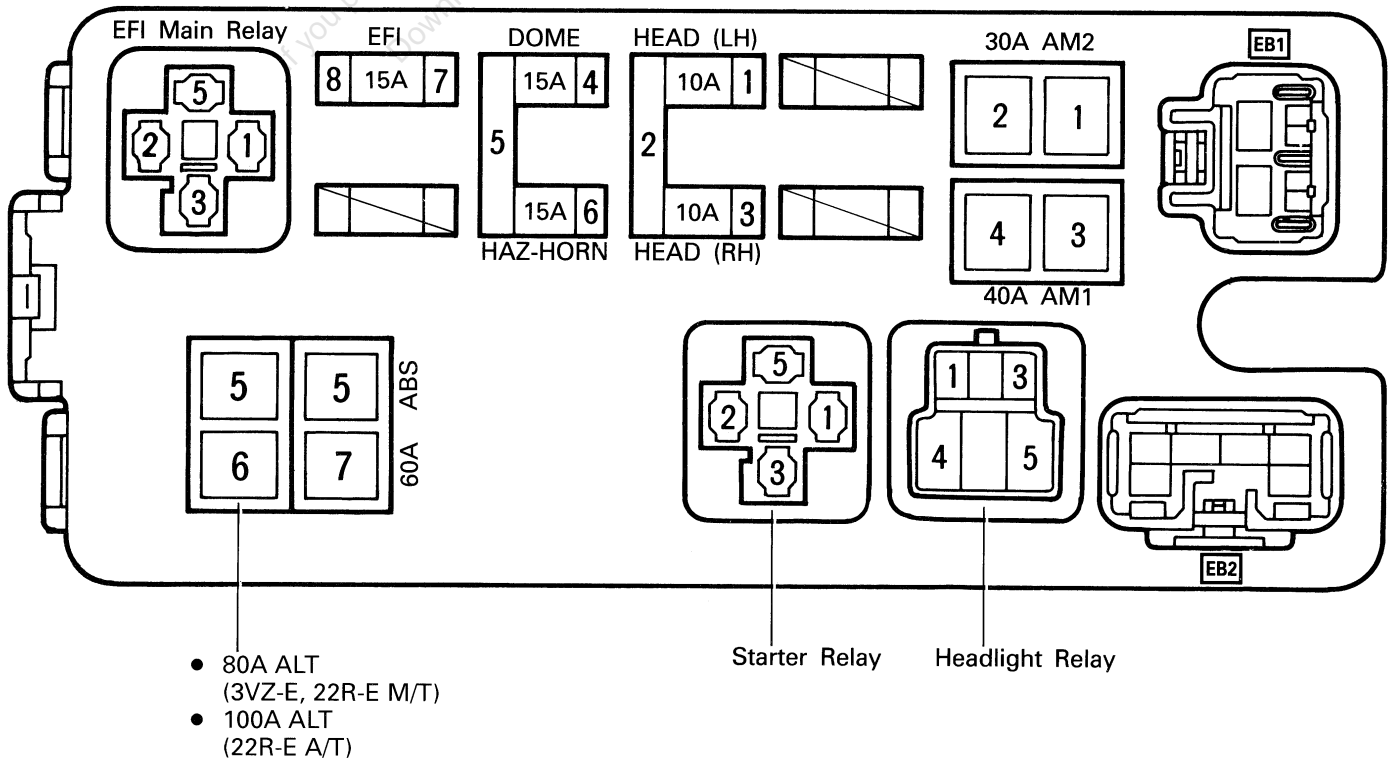


RELAY LOCATIONS

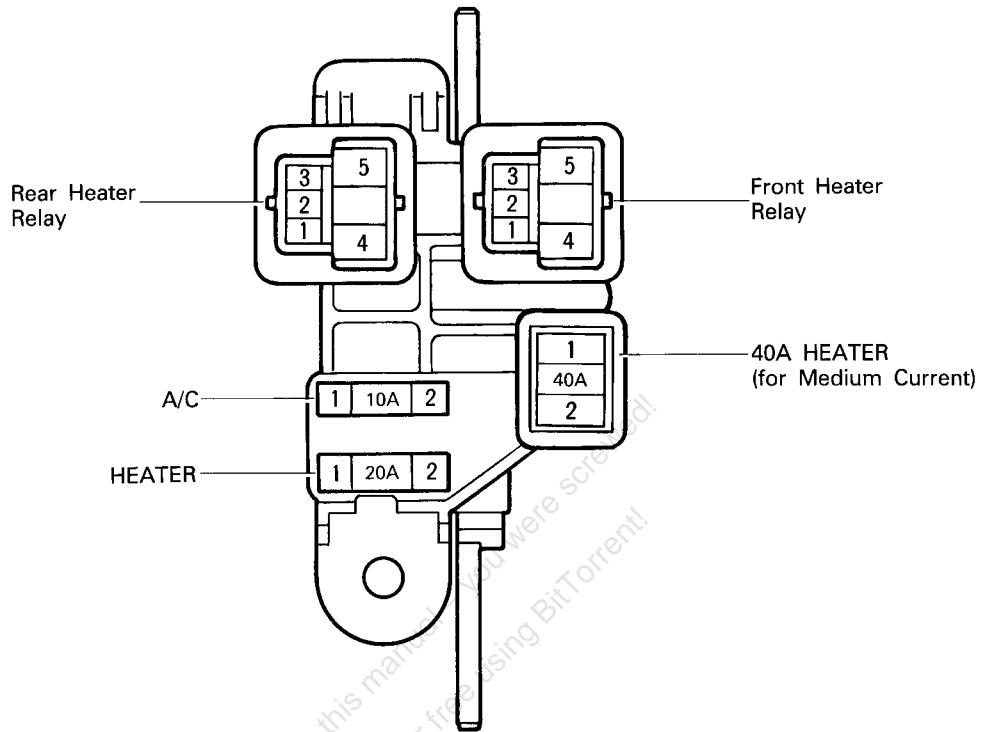
② : R/B No. 2 Engine Compartment Right (See Page 18)
 (for USA)



(for CANADA)



③ : R/B No. 3 Right Kick Panel (See Page 19)



④ : R/B No. 4 Beside R/B No. 2 (See Page 18)

