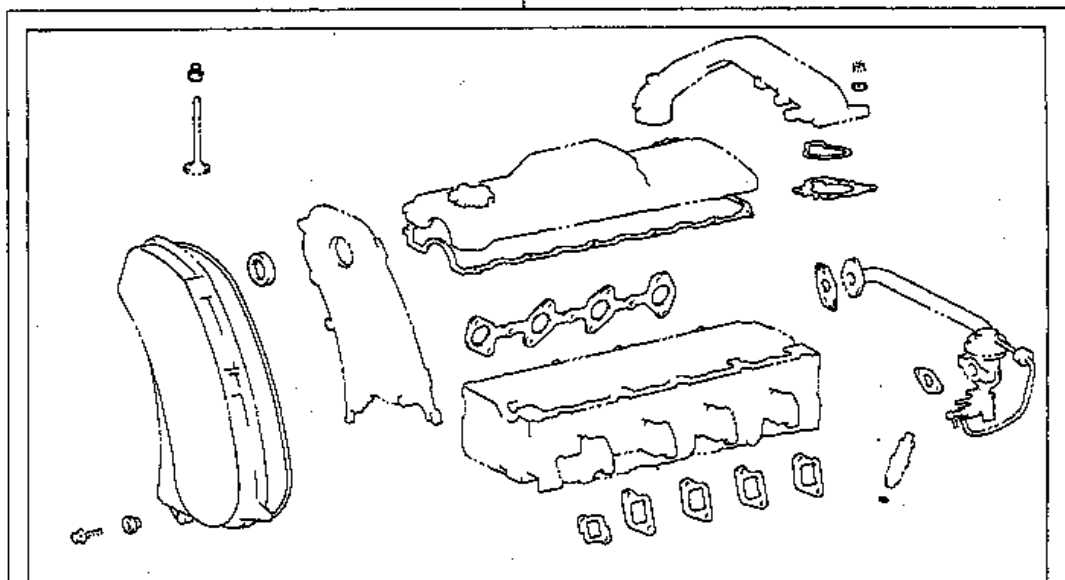
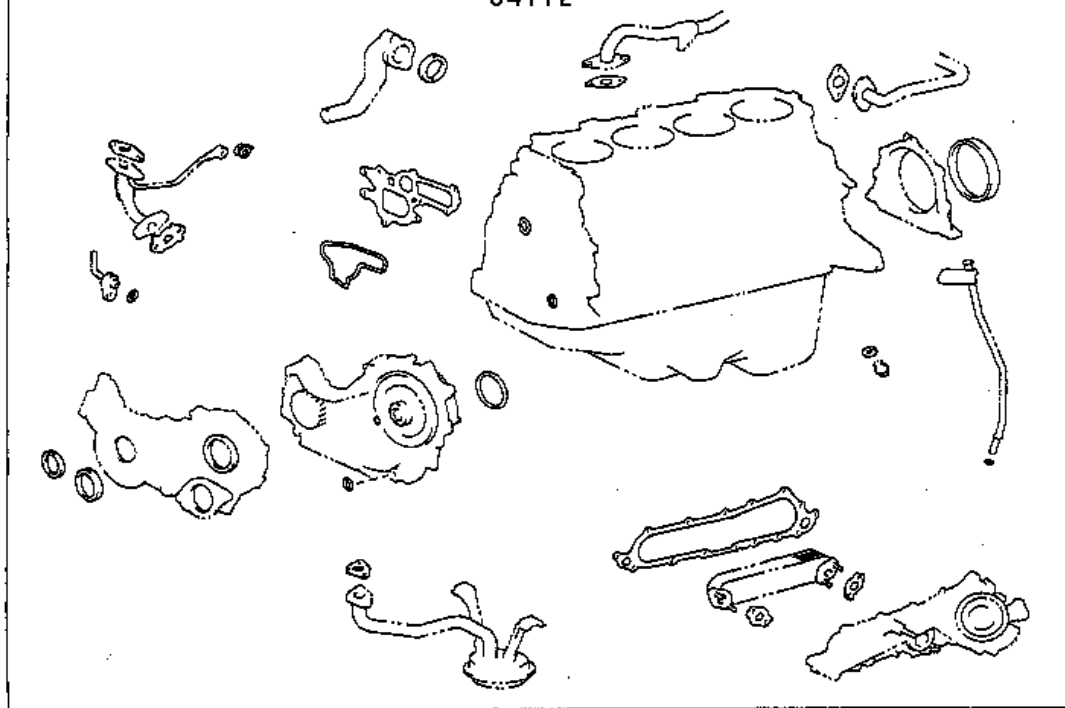


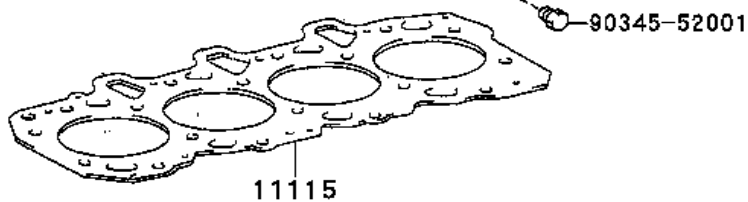
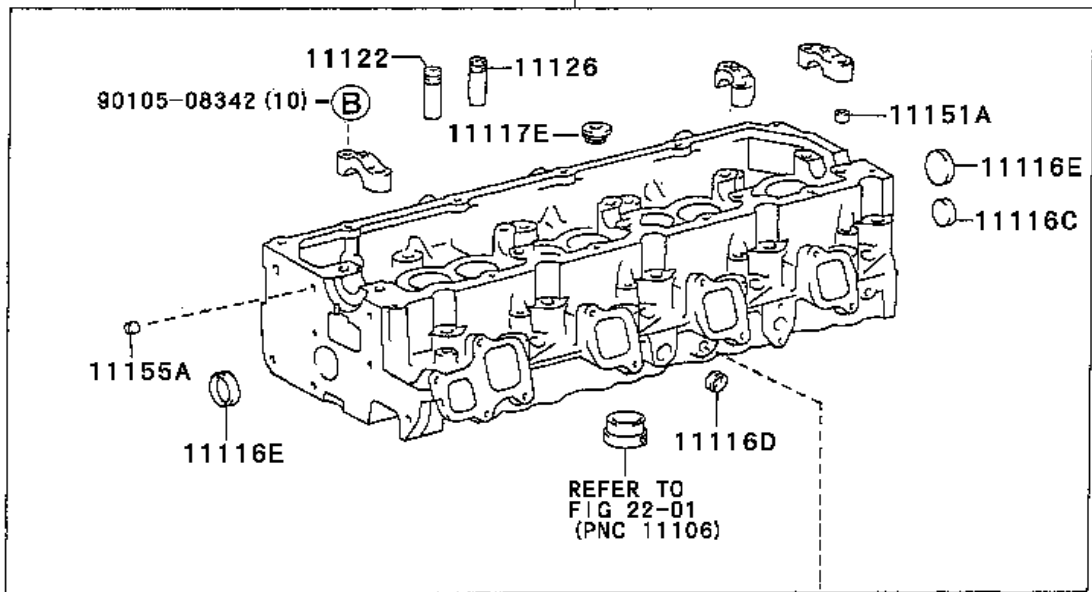
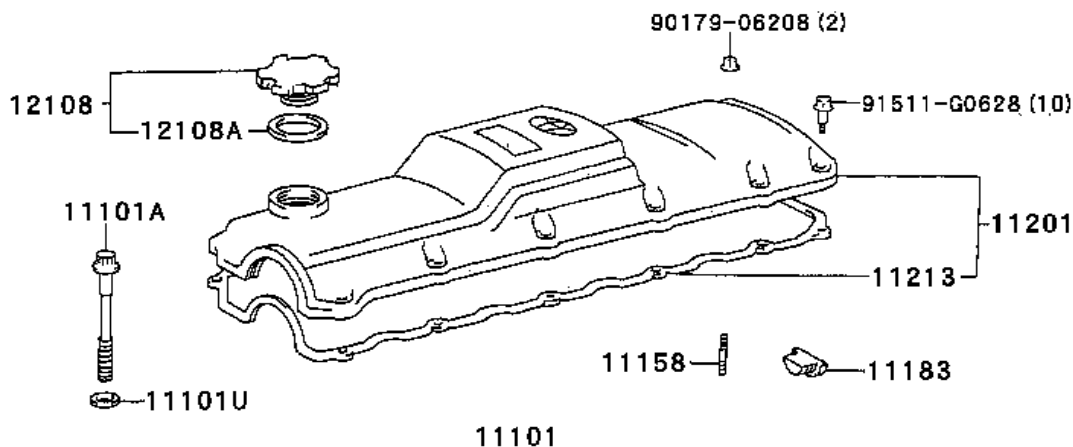
04111

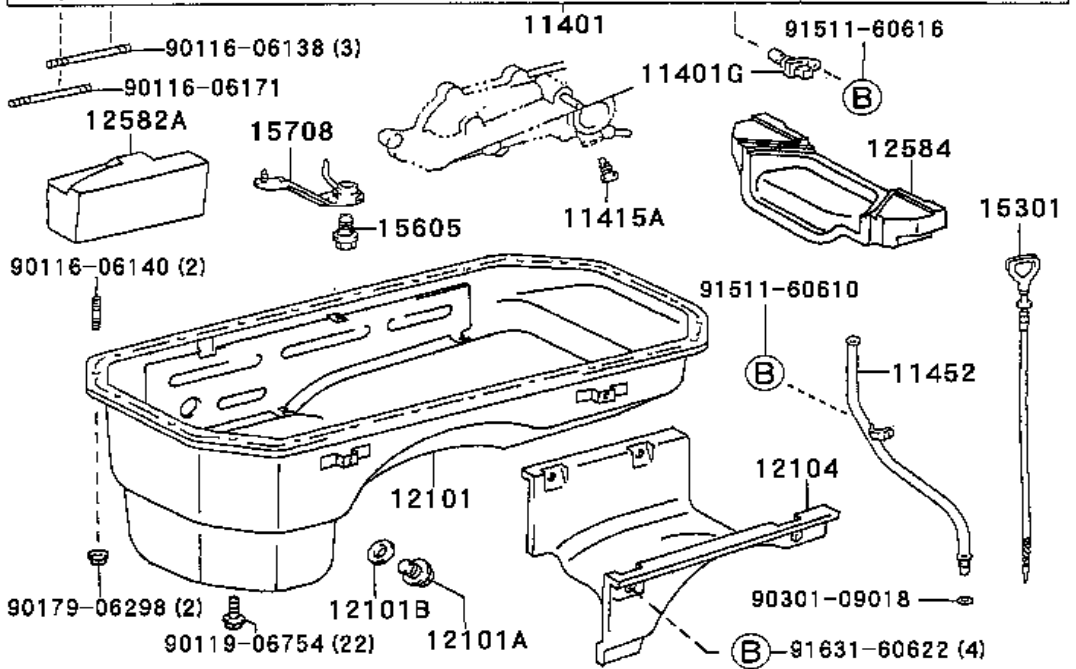
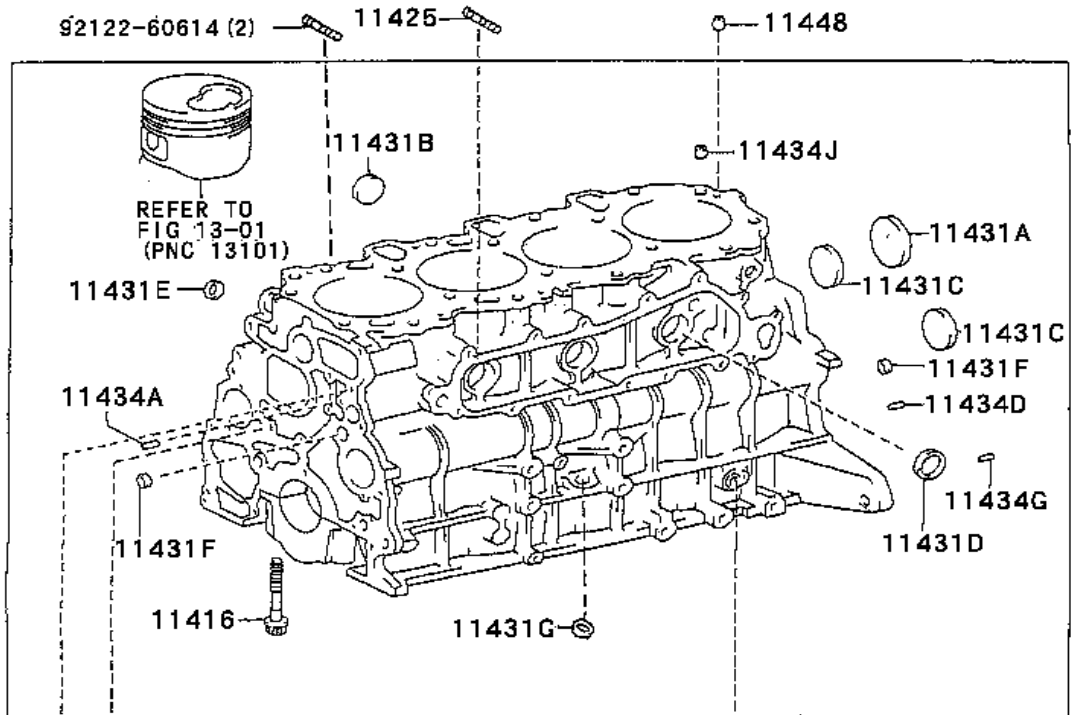


04112

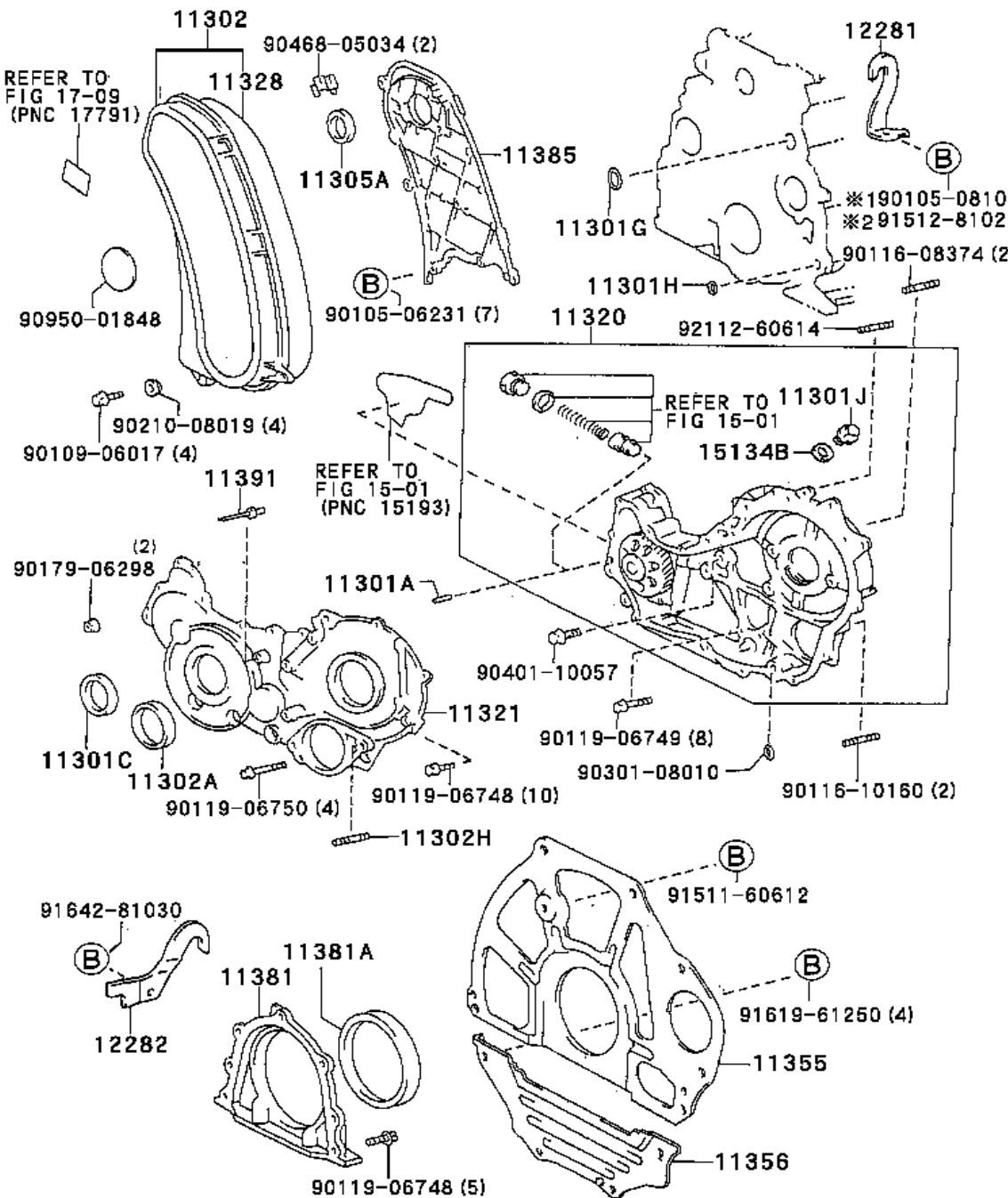


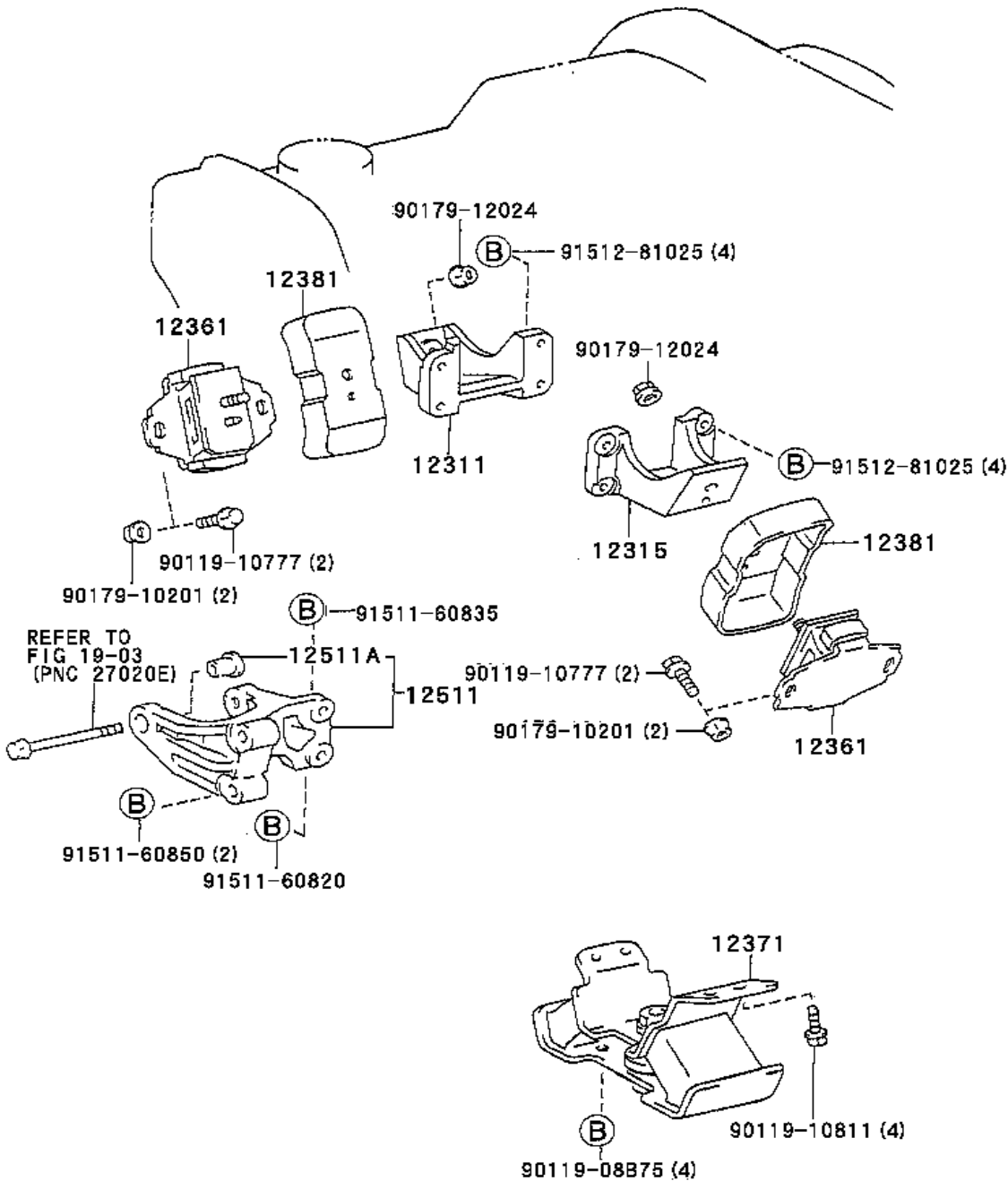
110001

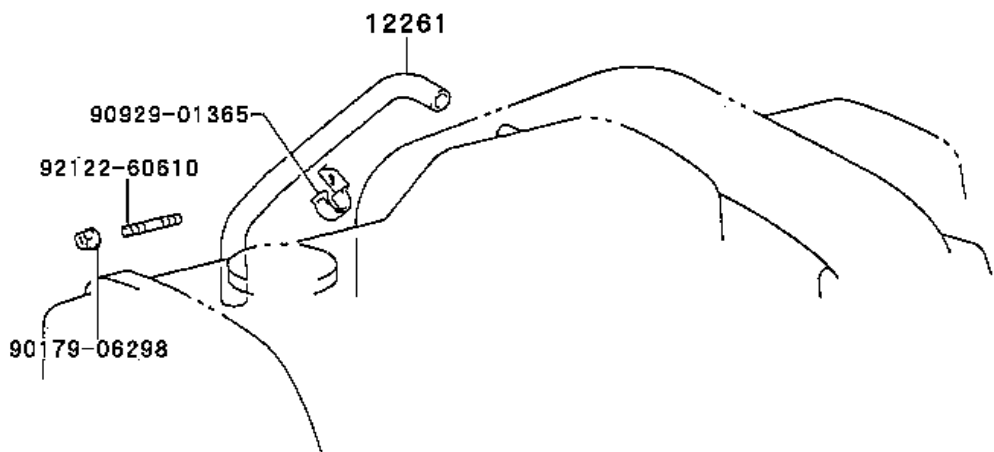


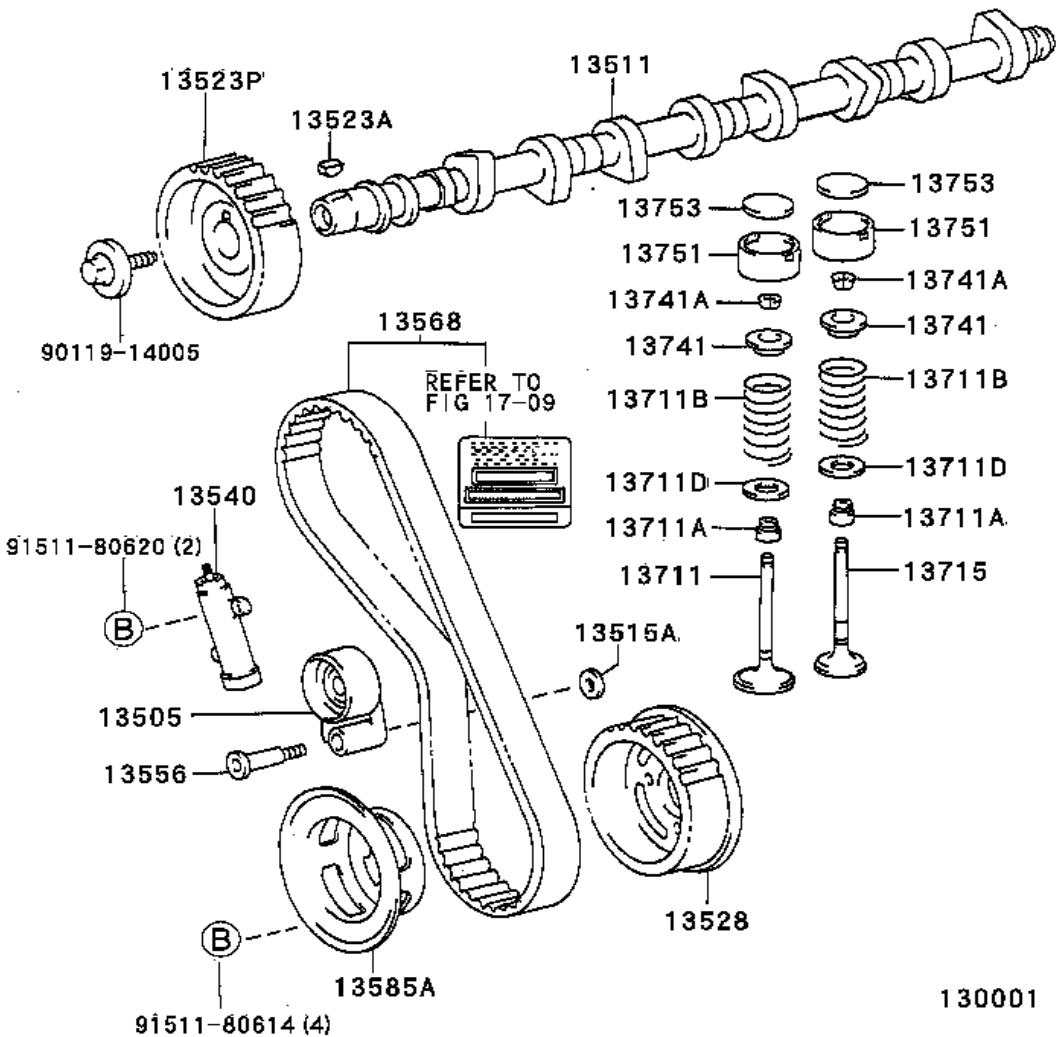


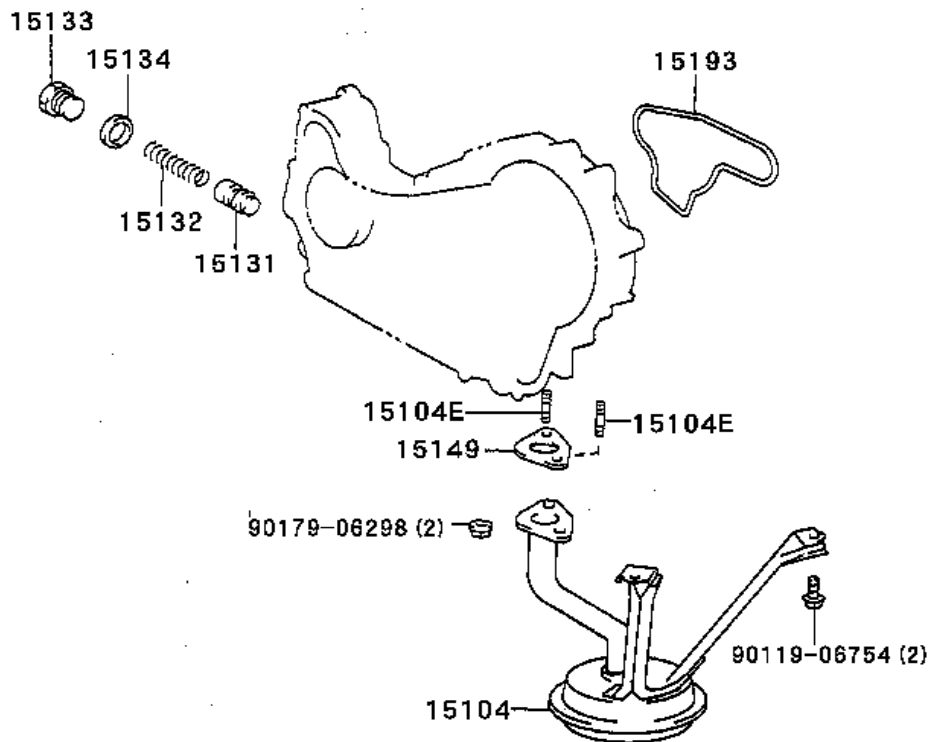
*1 (-9905)
*2 (9905-)



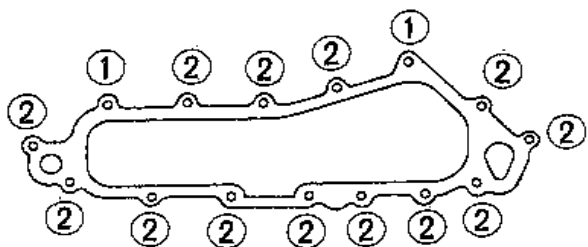
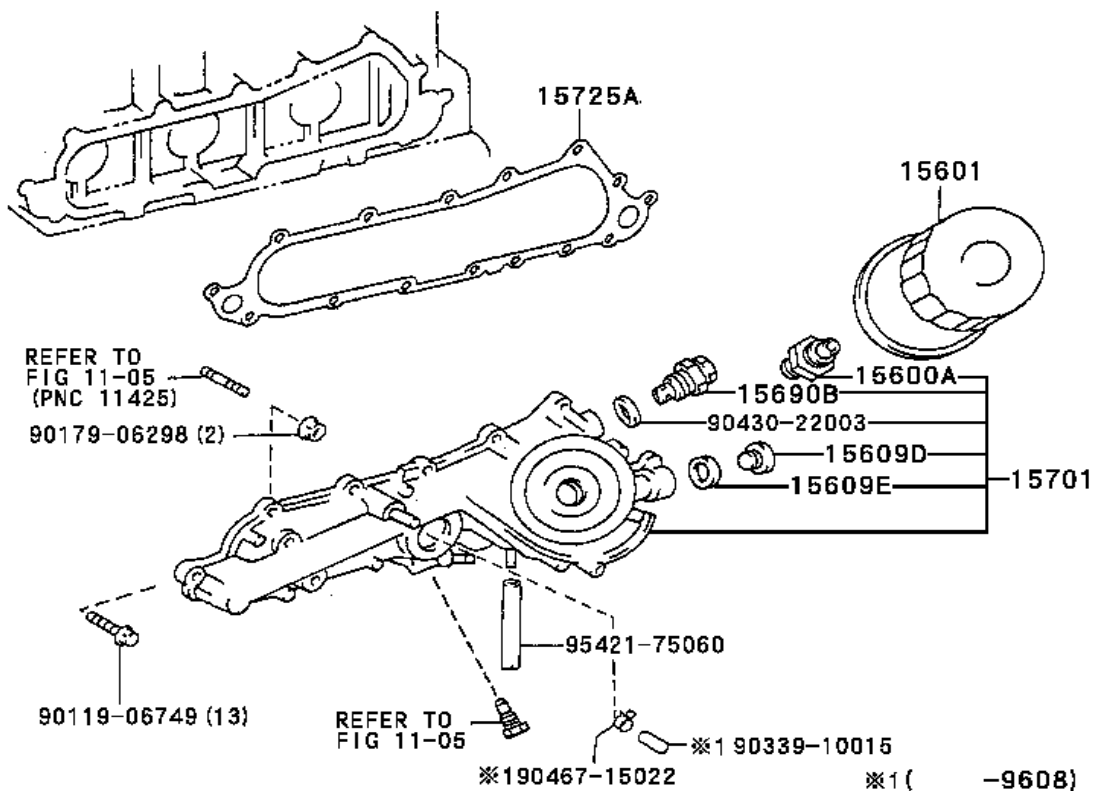







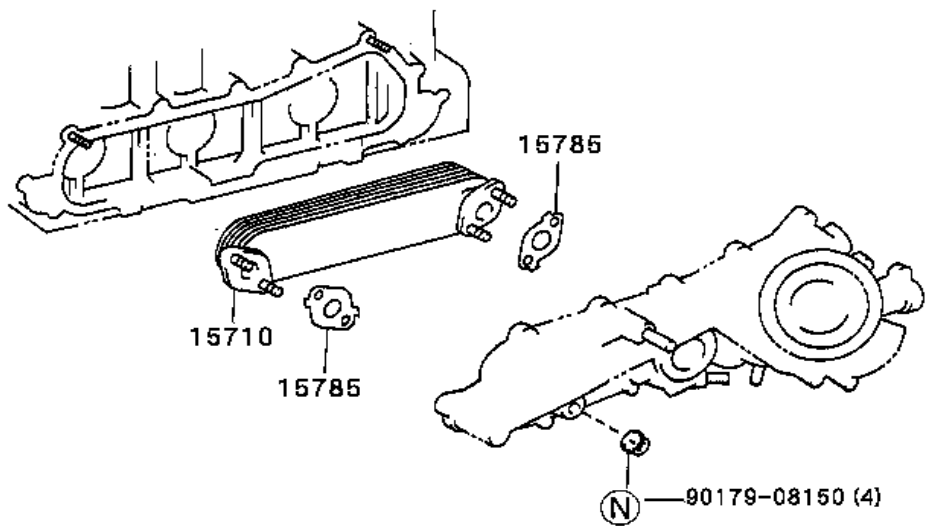




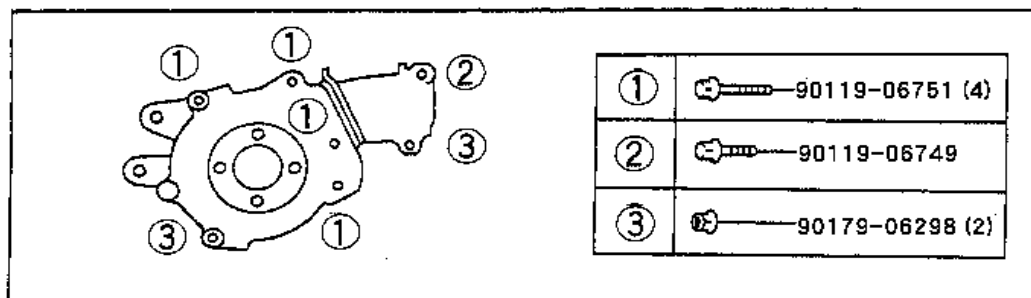
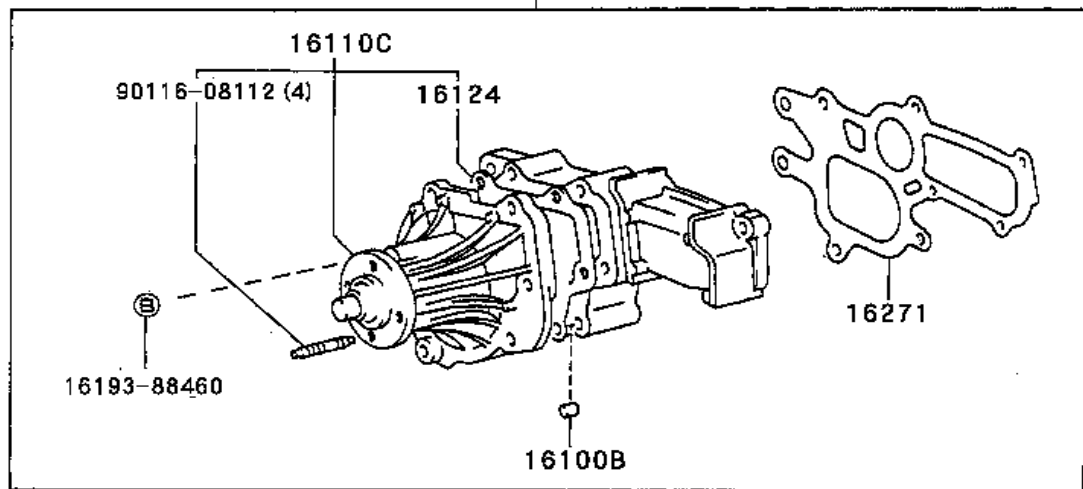
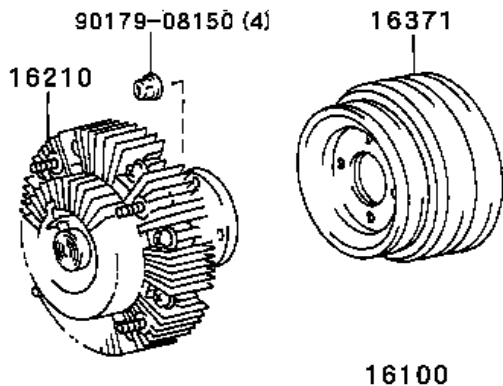
150001



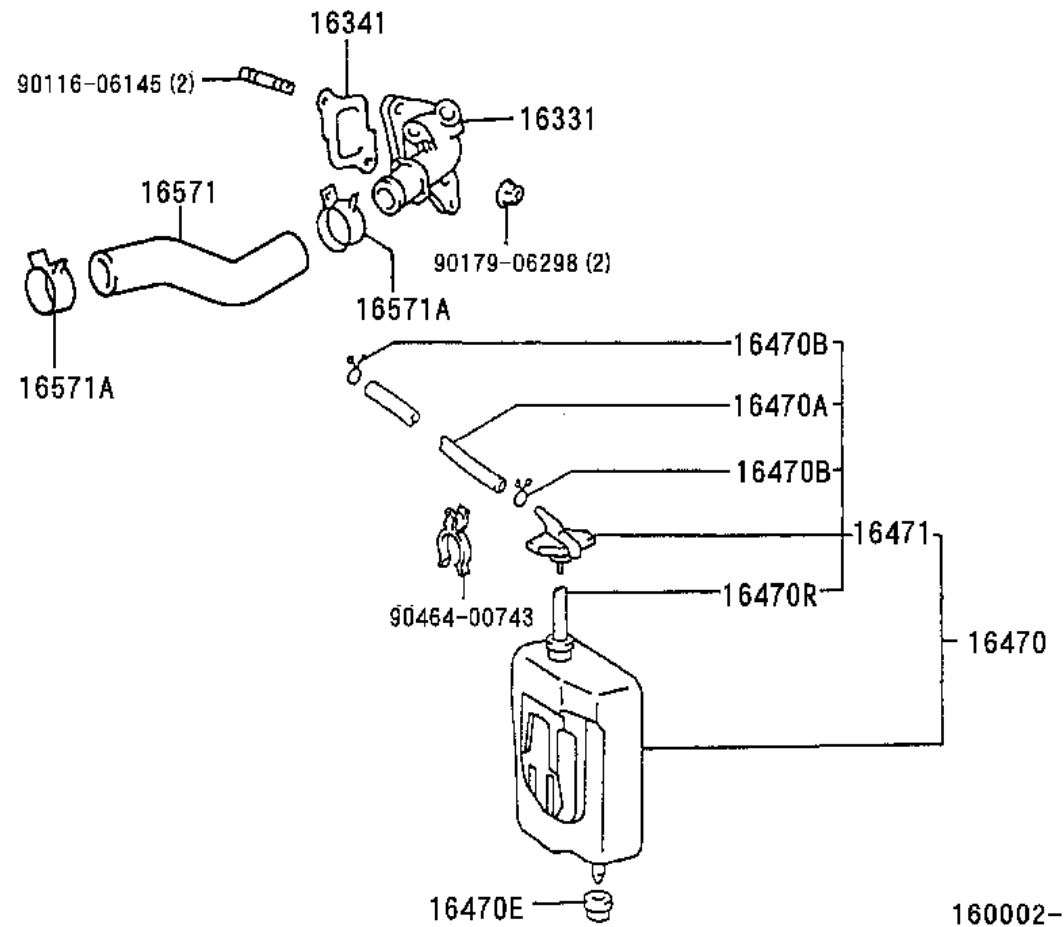
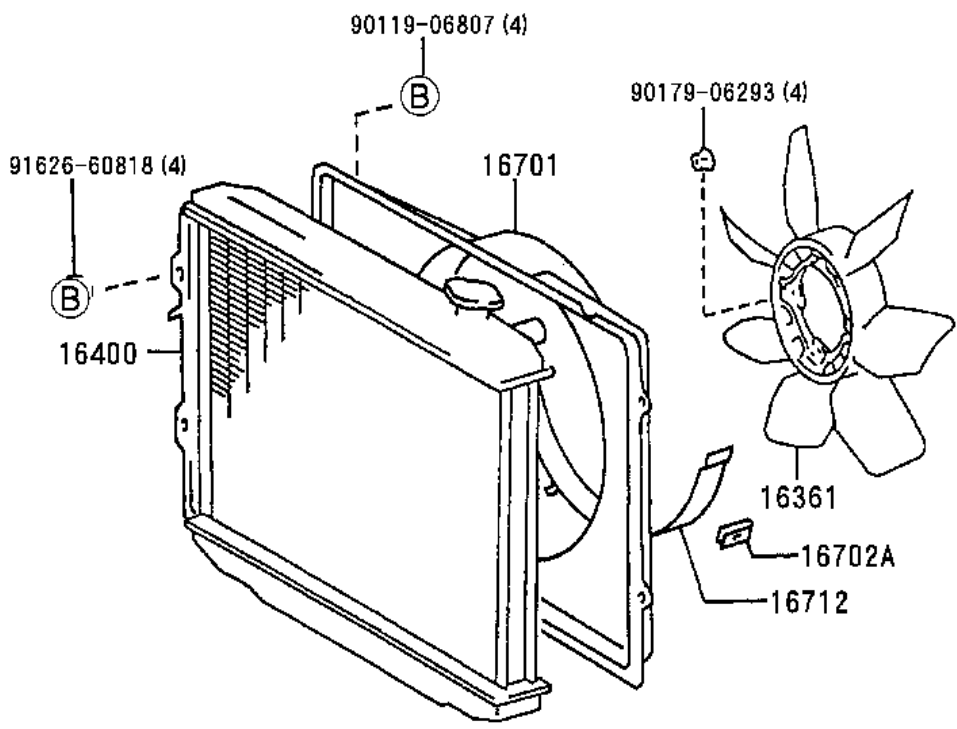
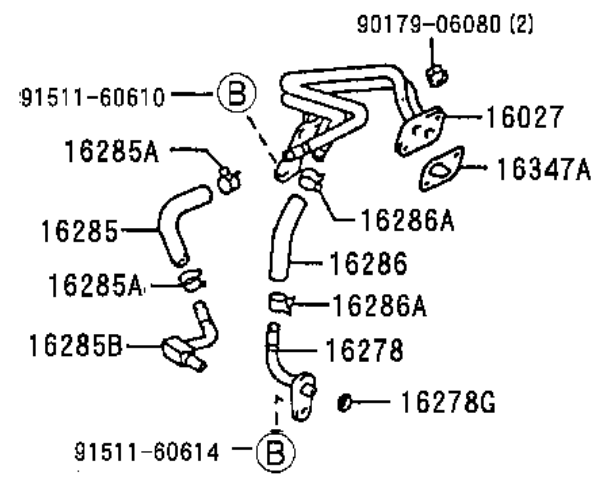
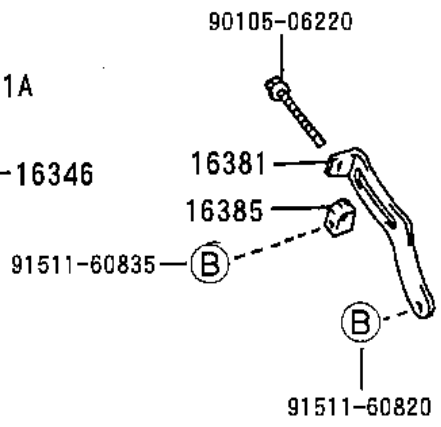
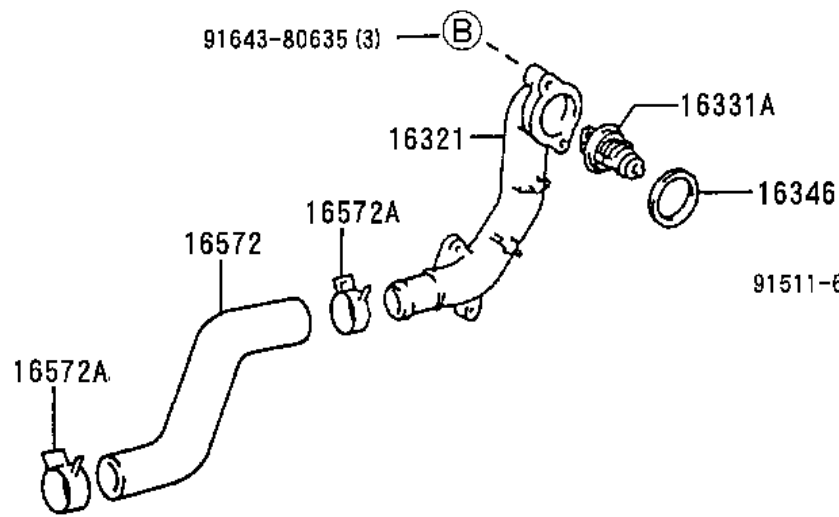
①	 REFER TO FIG 11-05  90179-06298 (2)
②	 90119-06749 (13)

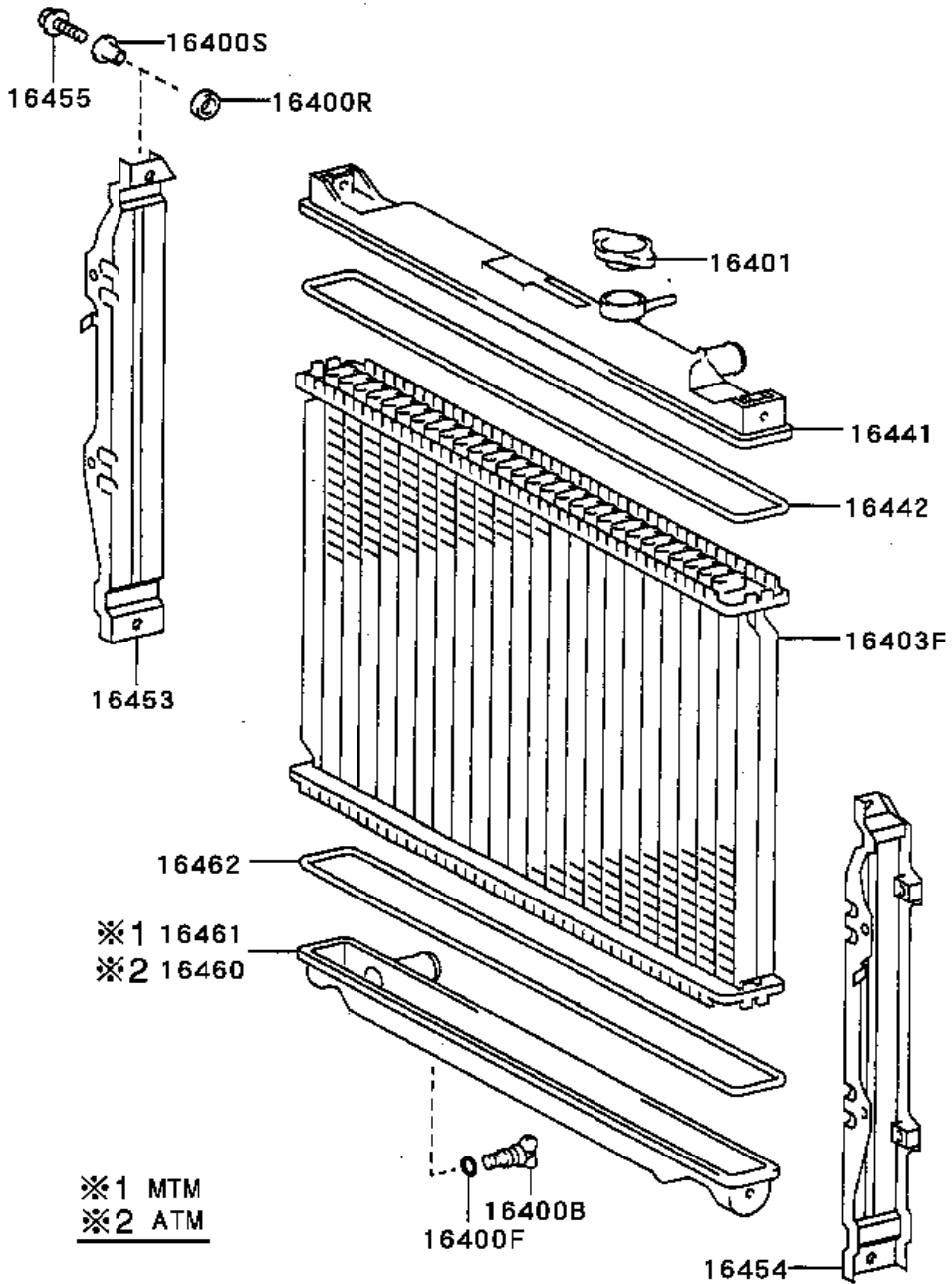


150010



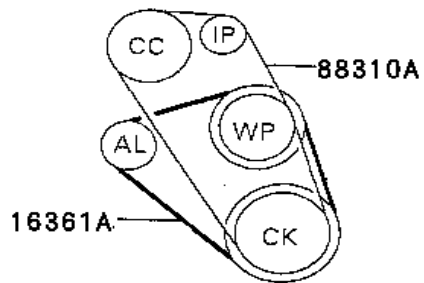
160007



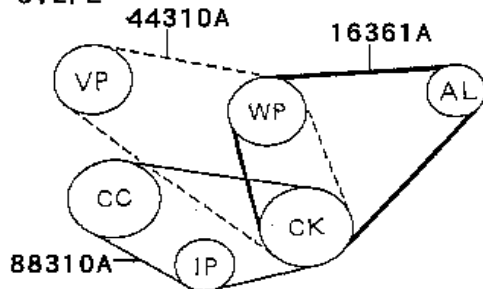


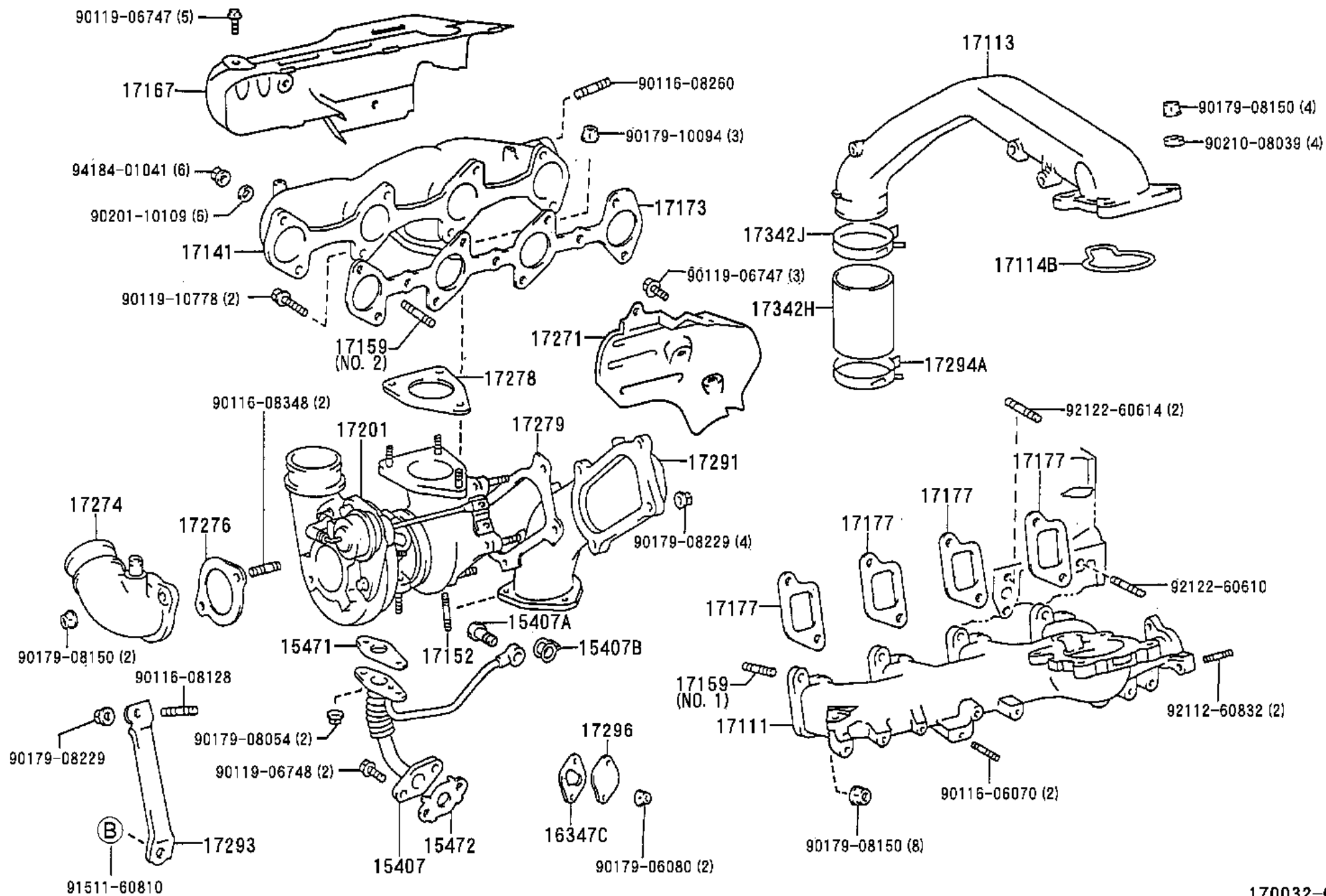
IP : アイドル プーリ
 VP : ベーン ポンプ
 AL : オールタ ネータ
 CK : クランク シヤフト
 CC : クーラ コンプレツサ
 WP : ウオータ ポンプ

1KZTE

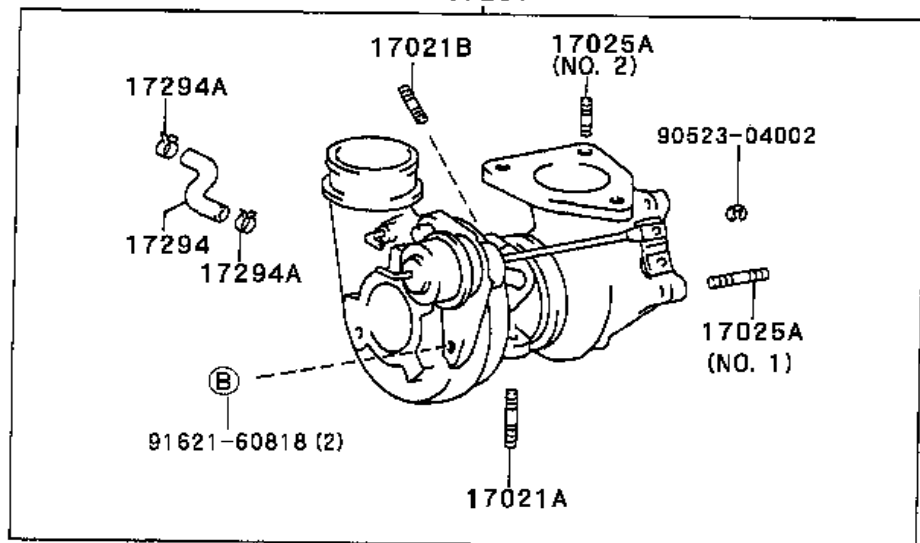


5VZFE

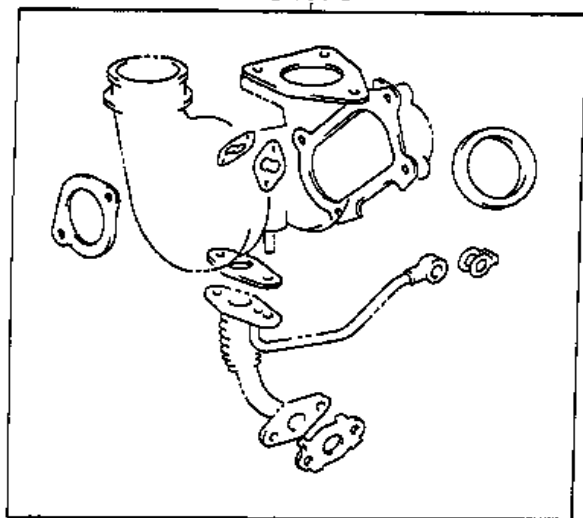




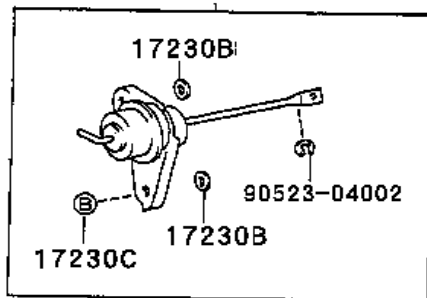
17201



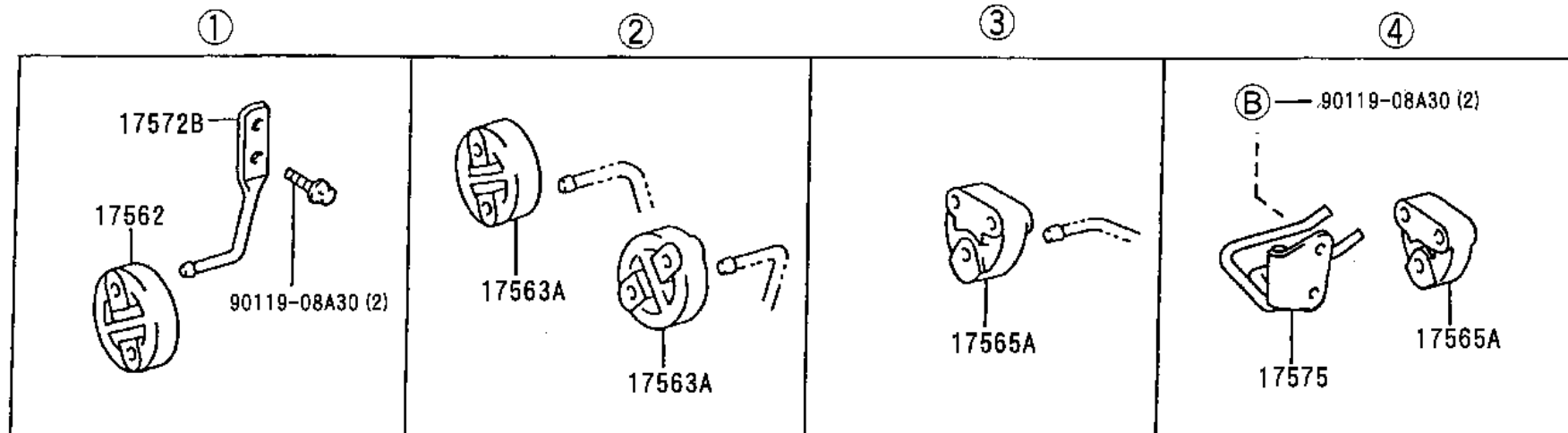
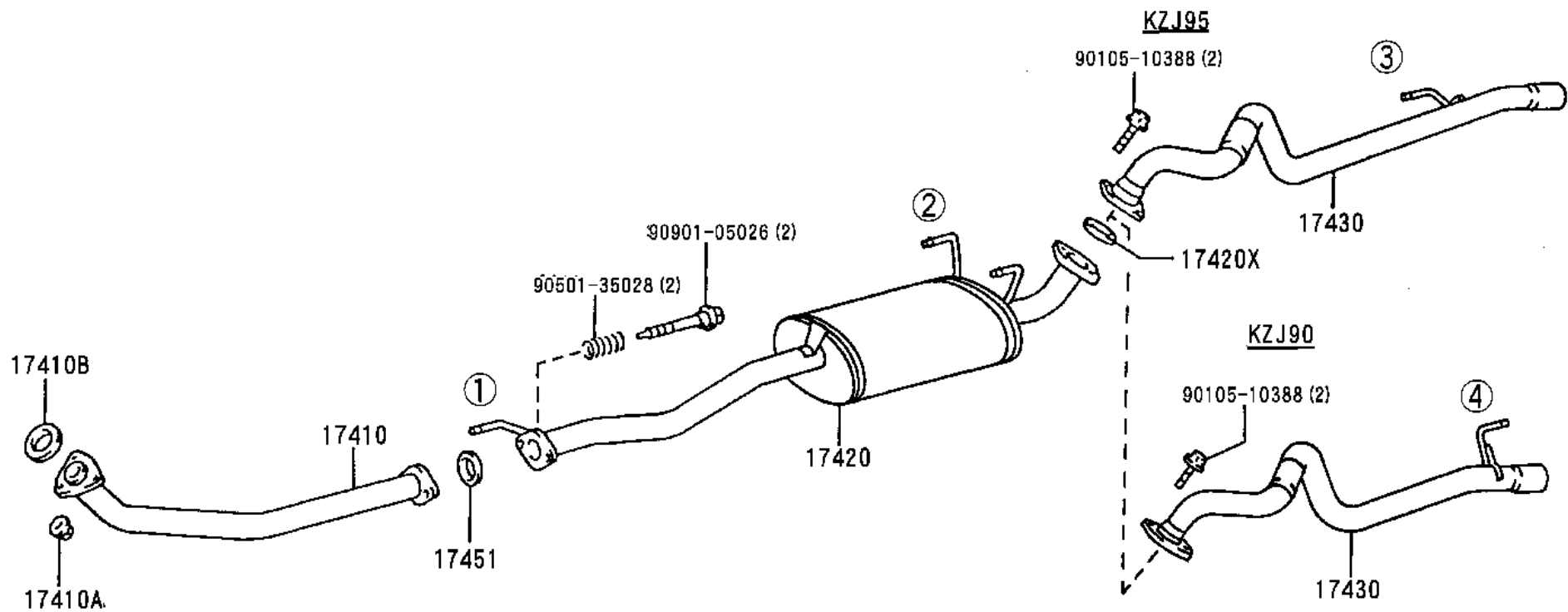
04175

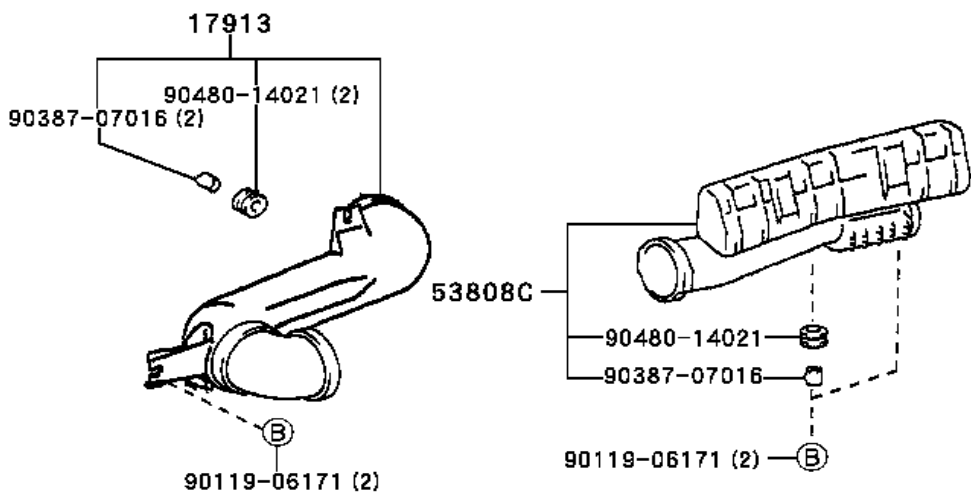
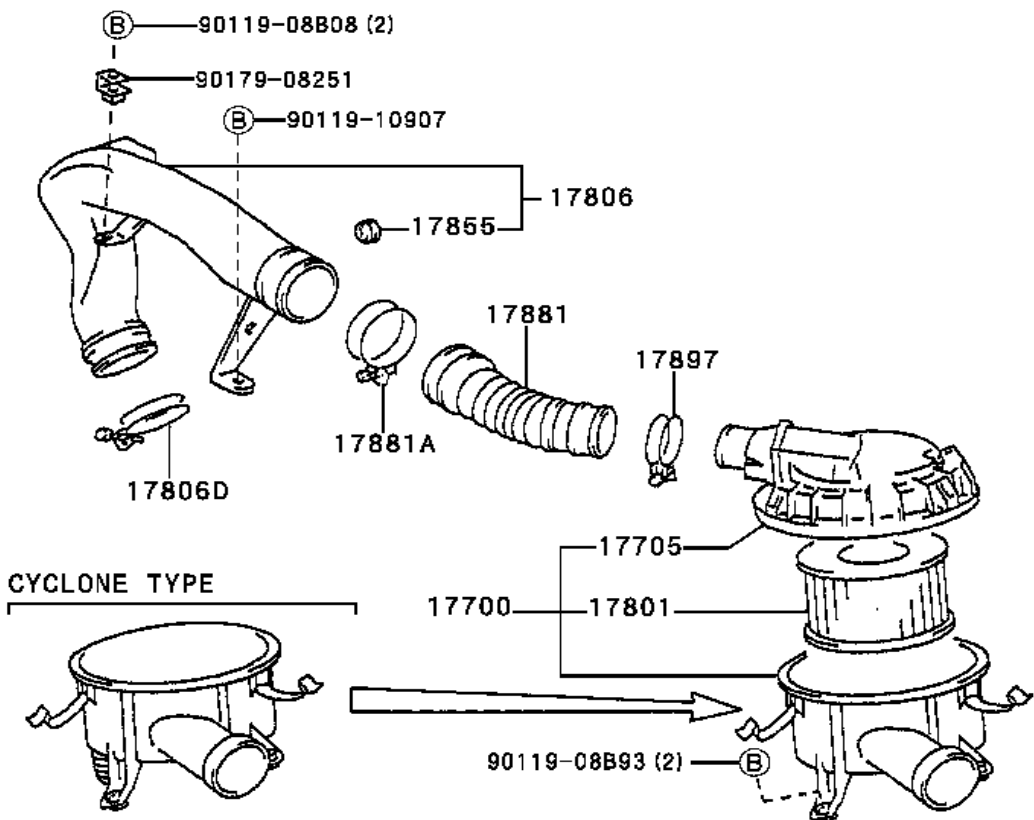


17230A



170030



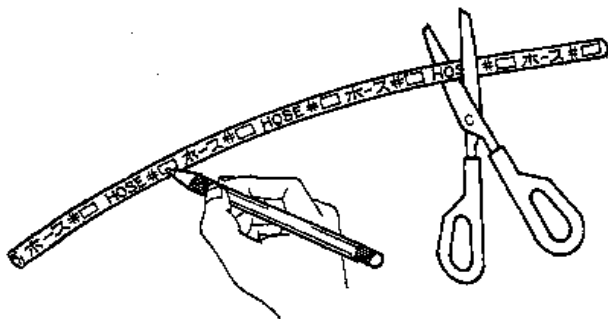
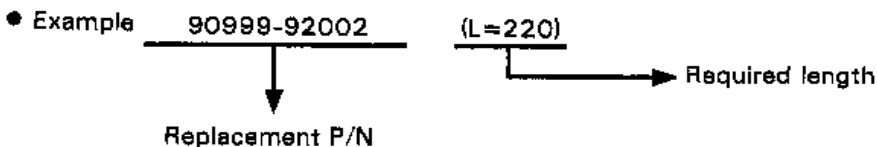


Vacuum Hose Supply Method

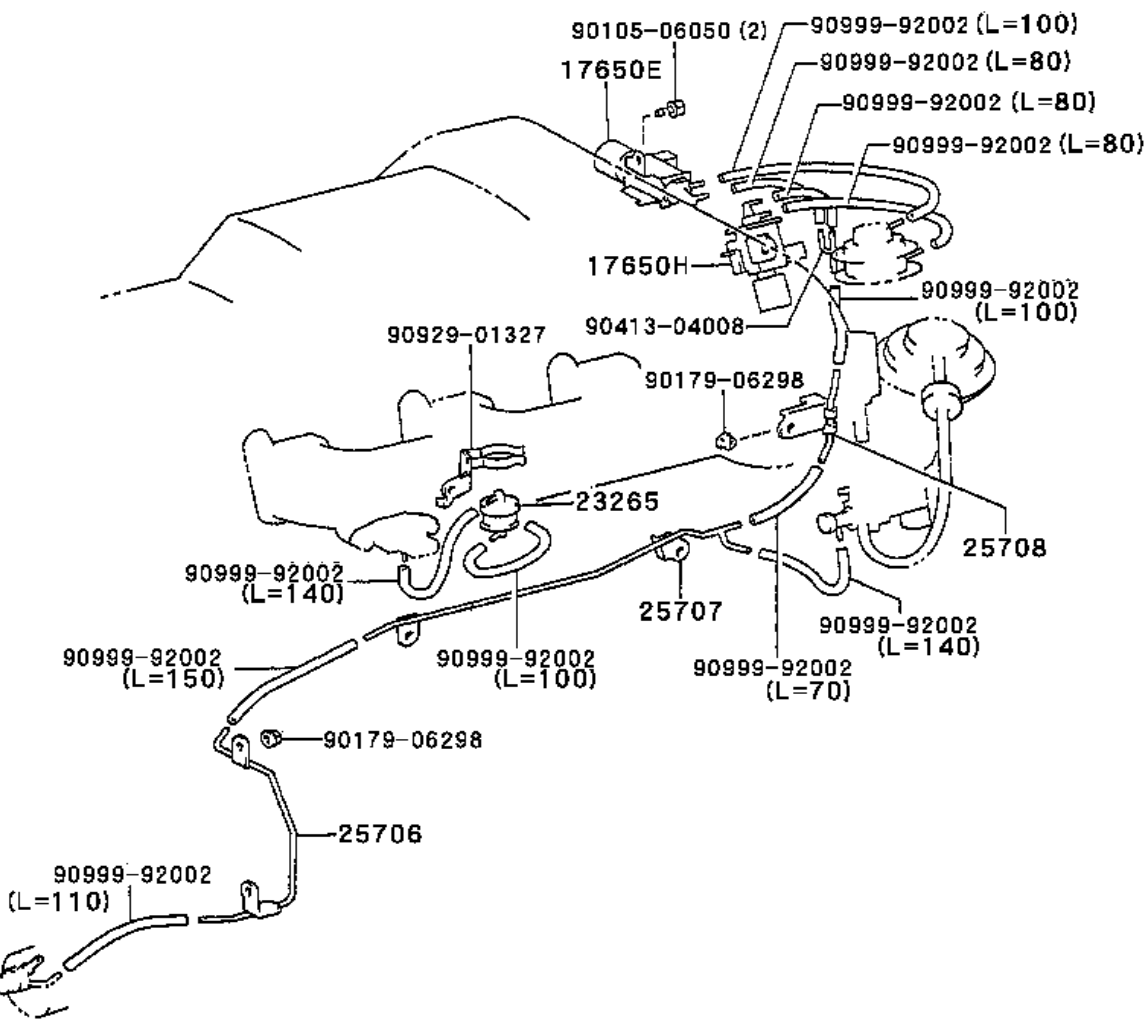
Supply of Vacuum Hose is determined in length specified below.

Necessary Length	Part Number	Length available
Below 300 mm	90999-92002	300 mm
301 to 600 mm	90999-92003	600 mm
601 to 950 mm	90999-92004	950 mm
951 to 1300 mm	90999-92006	1300 mm
1301 to 1650 mm	90999-92007	1650 mm
1651 to 2600 mm	90999-92008	2600 mm

1. Actual replacement to vehicle could be made by cutting the hose into desired length.
2. Unlike the vacuum hose already installed in the vehicle, this replacement vacuum hose does not have the hose number printed on it. Accordingly, before installing this vacuum hose, write on it the same hose number as that written on the vacuum hose to be removed as shown below.



1. As hose is supplied in 300 mm length, cut off excess to meet desired length of 220 mm.
2. Using an oil-based marking pen or a ball-point pen, write the hose number at both ends of the hose, in accordance with the original hose number.

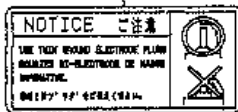


170027-B

11288

3400 FOUR CAM 24

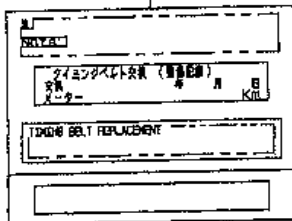
11289



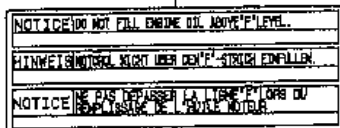
11291

DIESEL
turbo

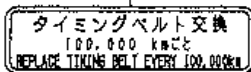
13564-10010



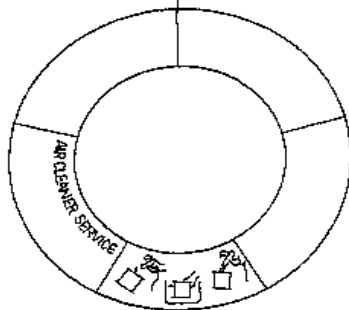
15369



17791



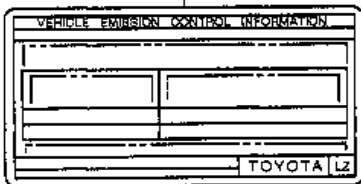
17700D

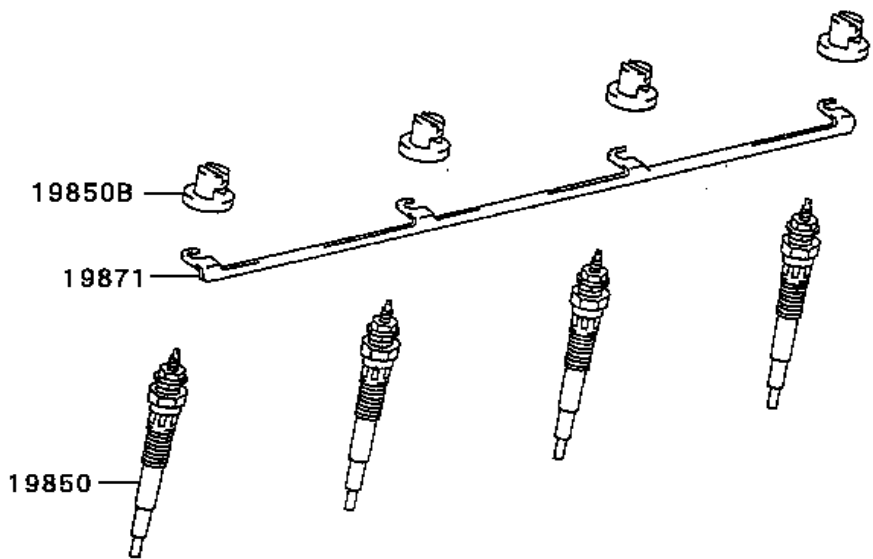


11292

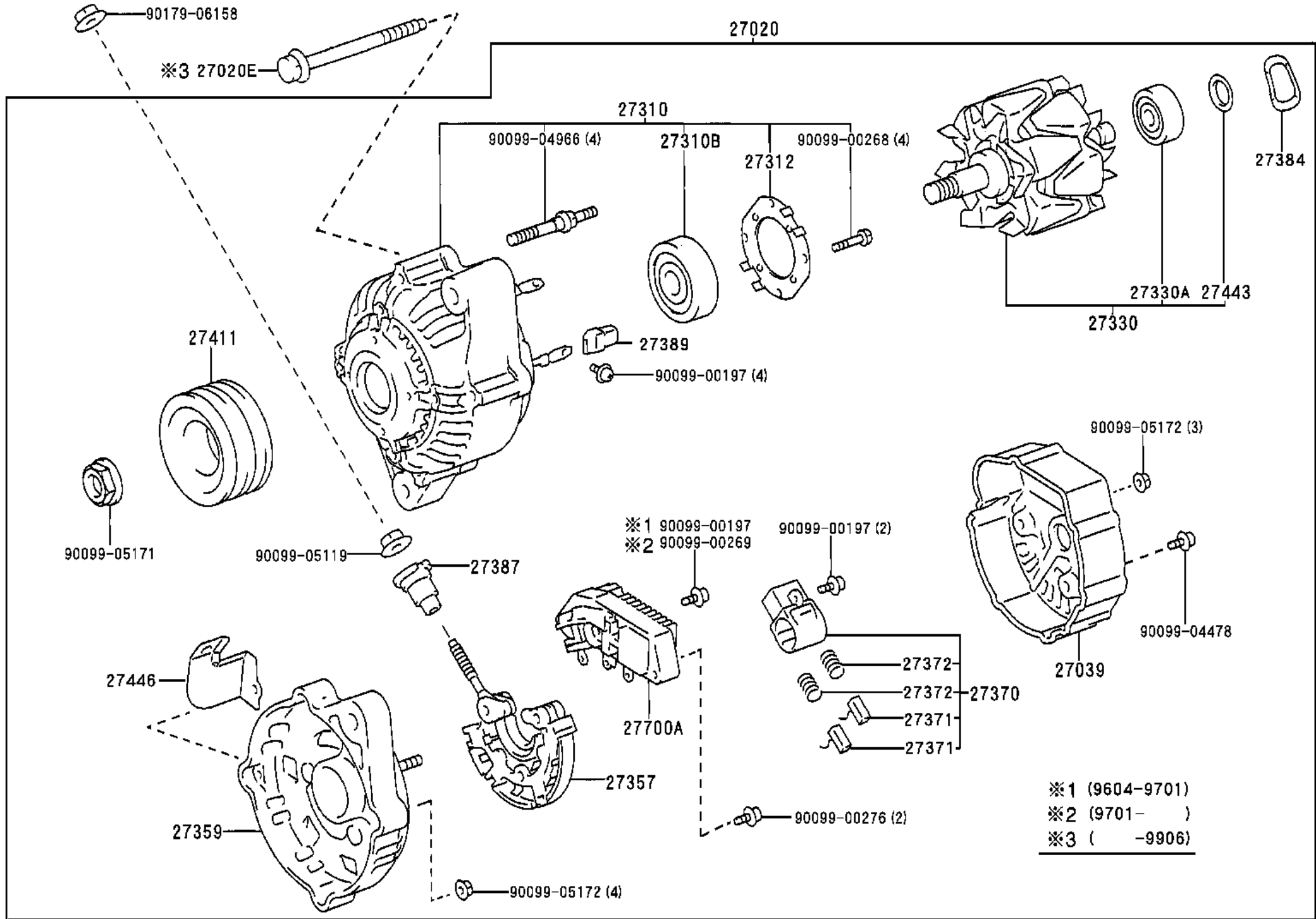
1KZ-TE

11298A





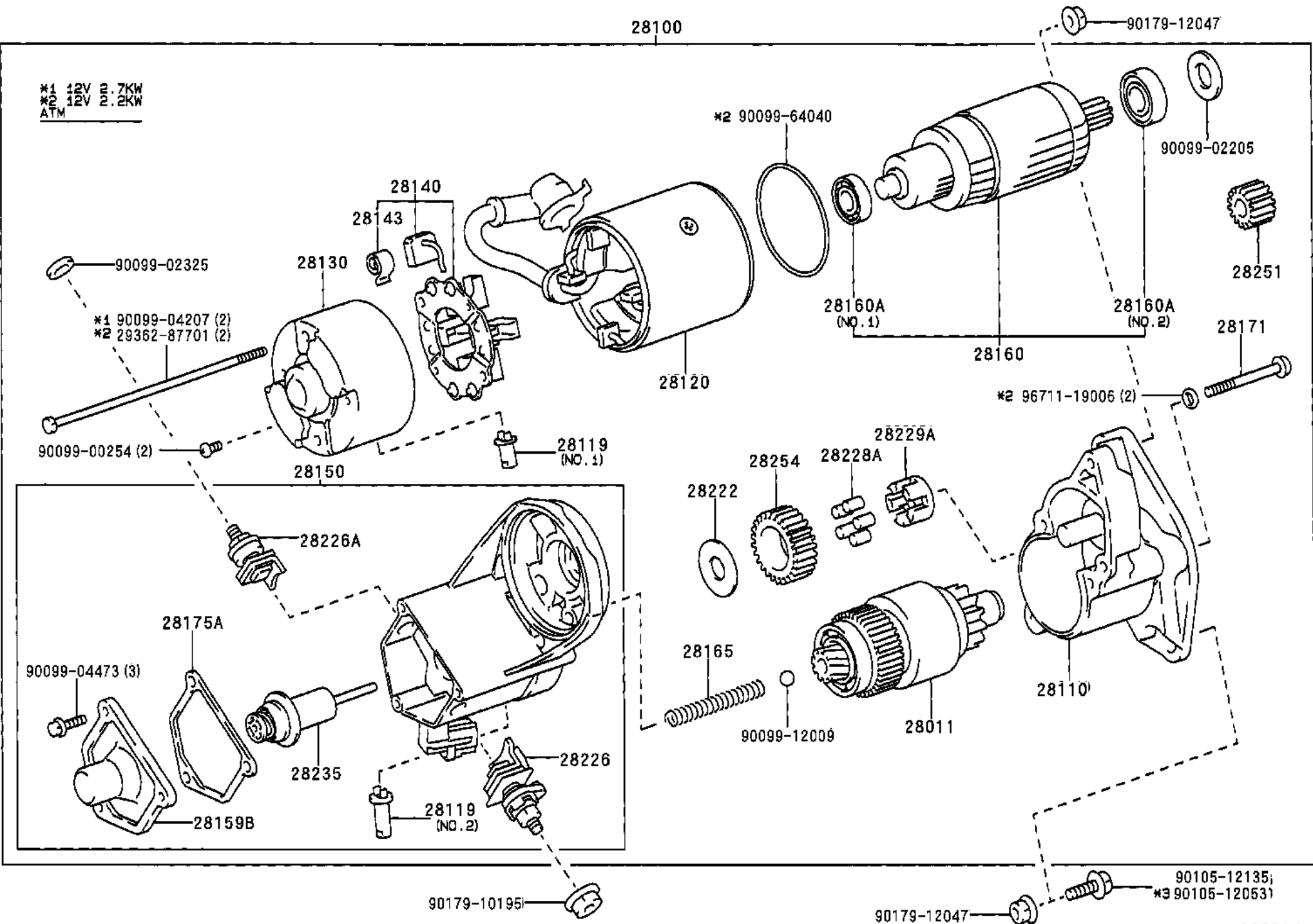
190001



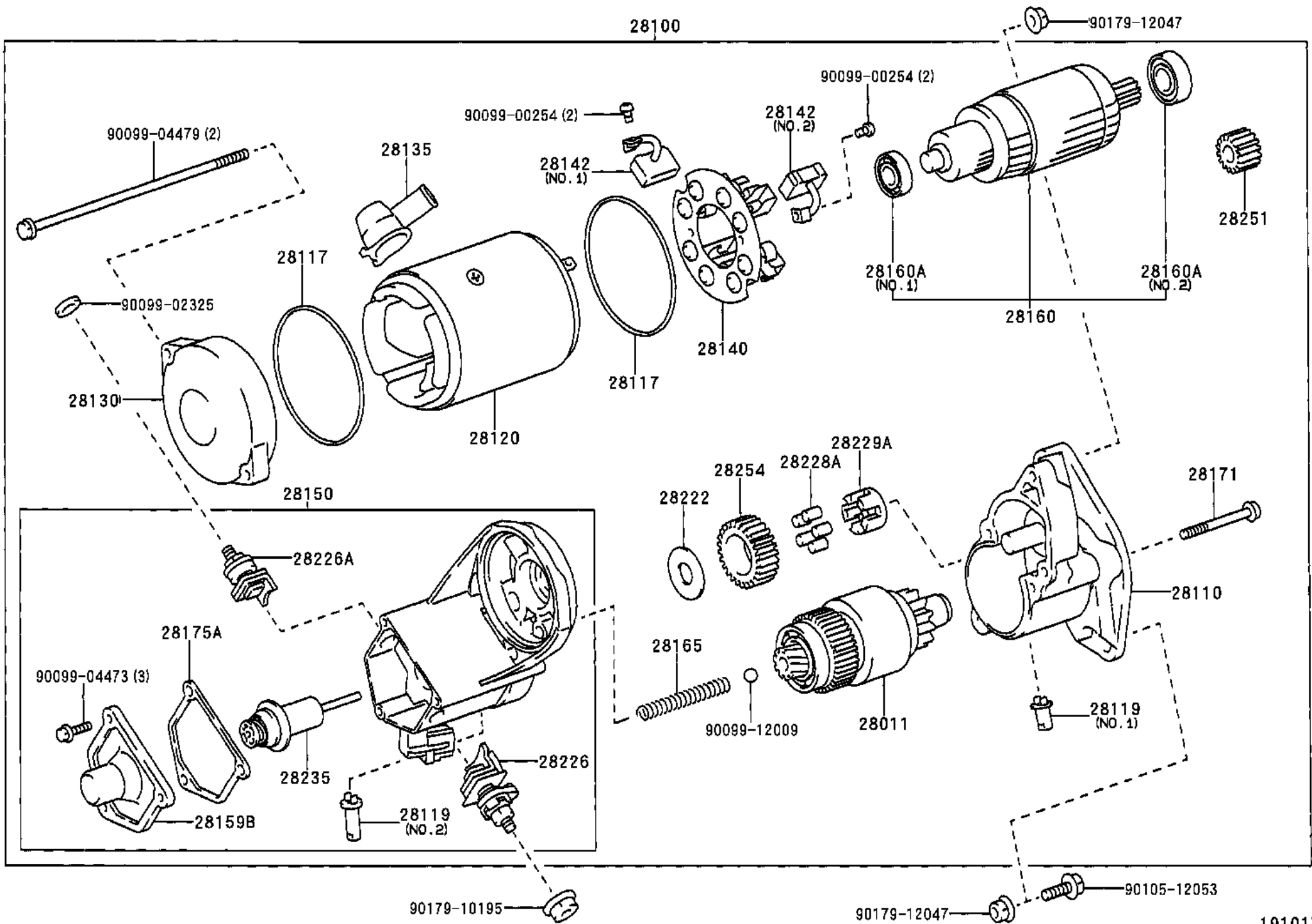
- ※1 (9604-9701)
- ※2 (9701-)
- ※3 (-9906)

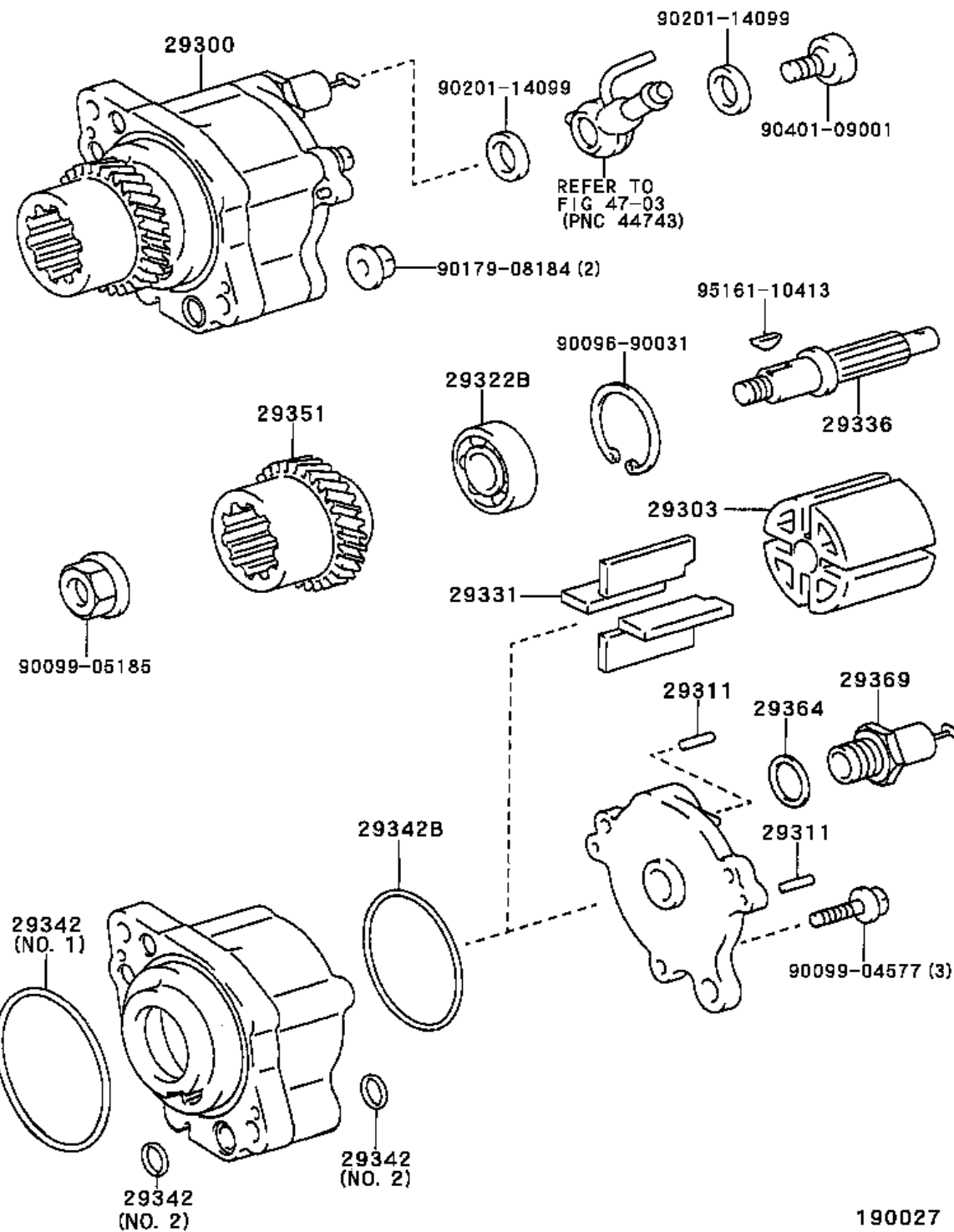
28100

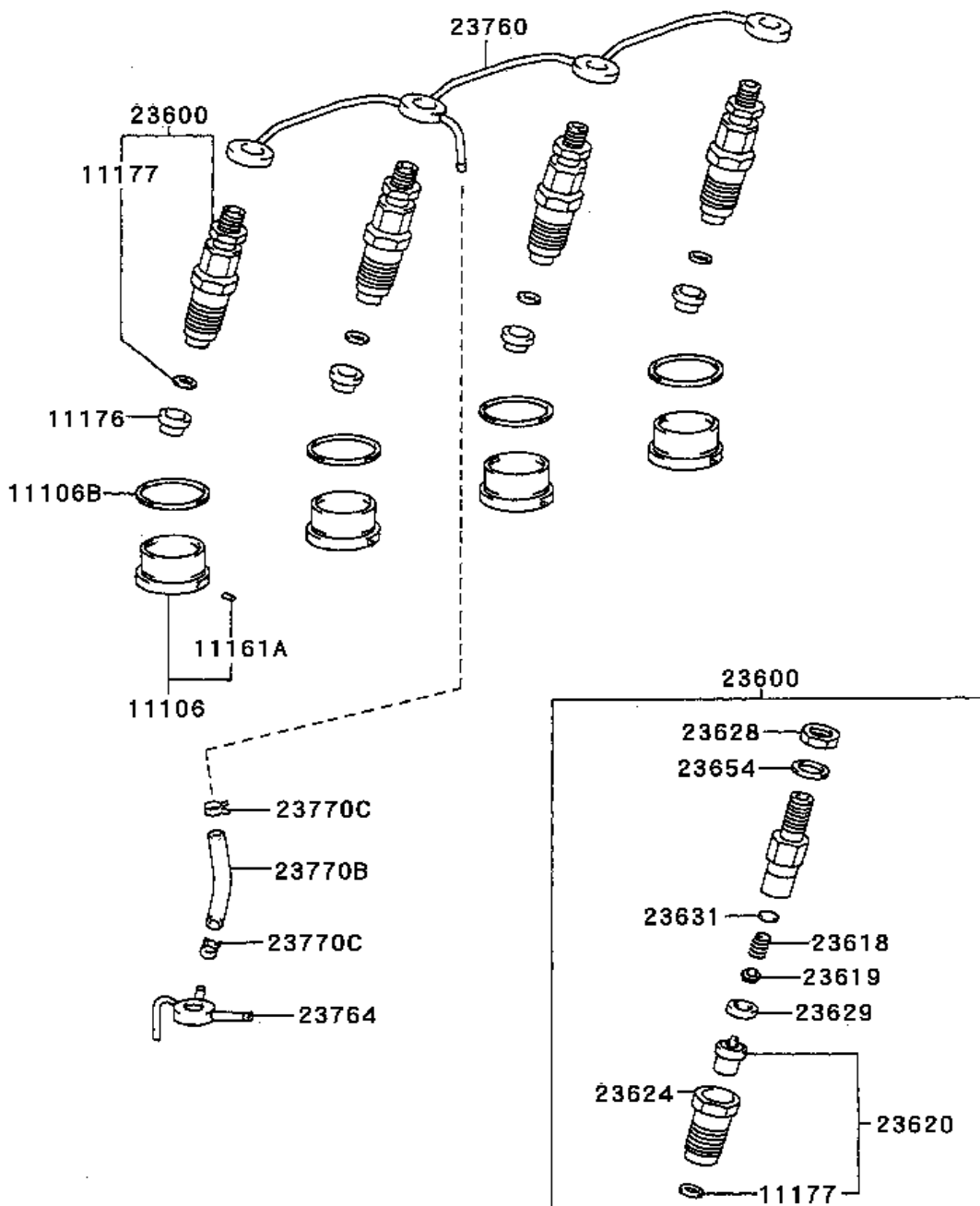
*1 12V 0.7KW
*2 12V 0.2KW
ATM

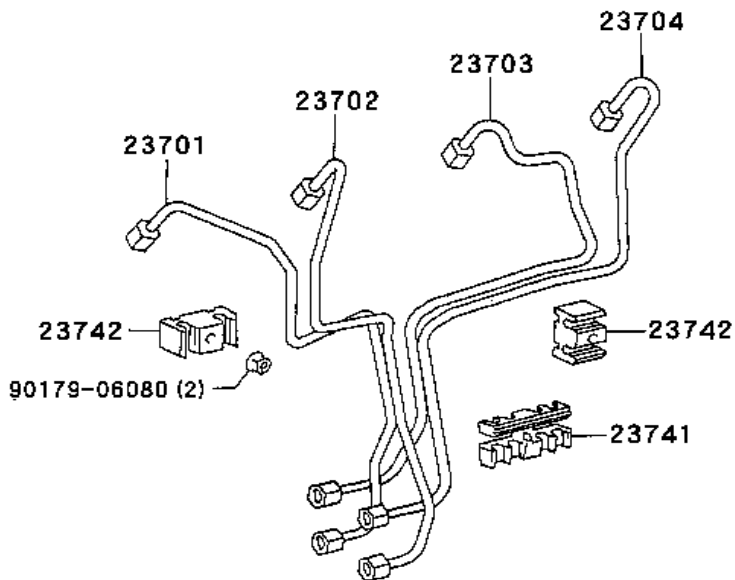


28100



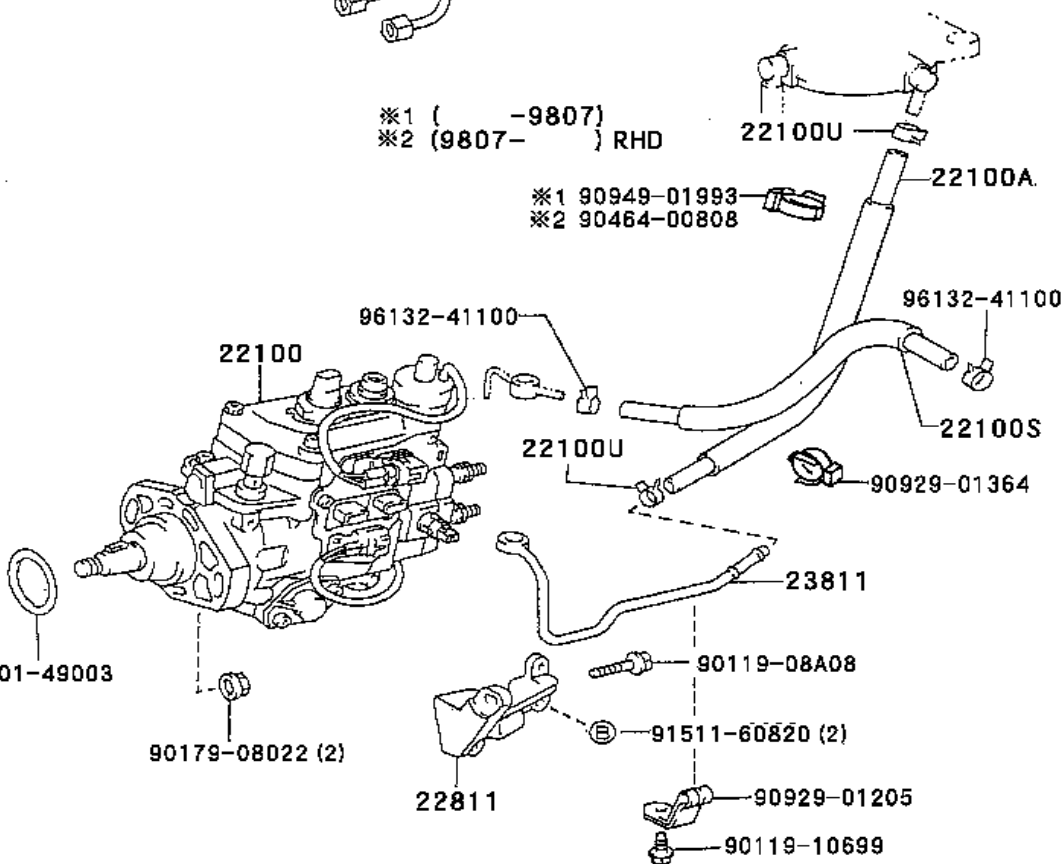


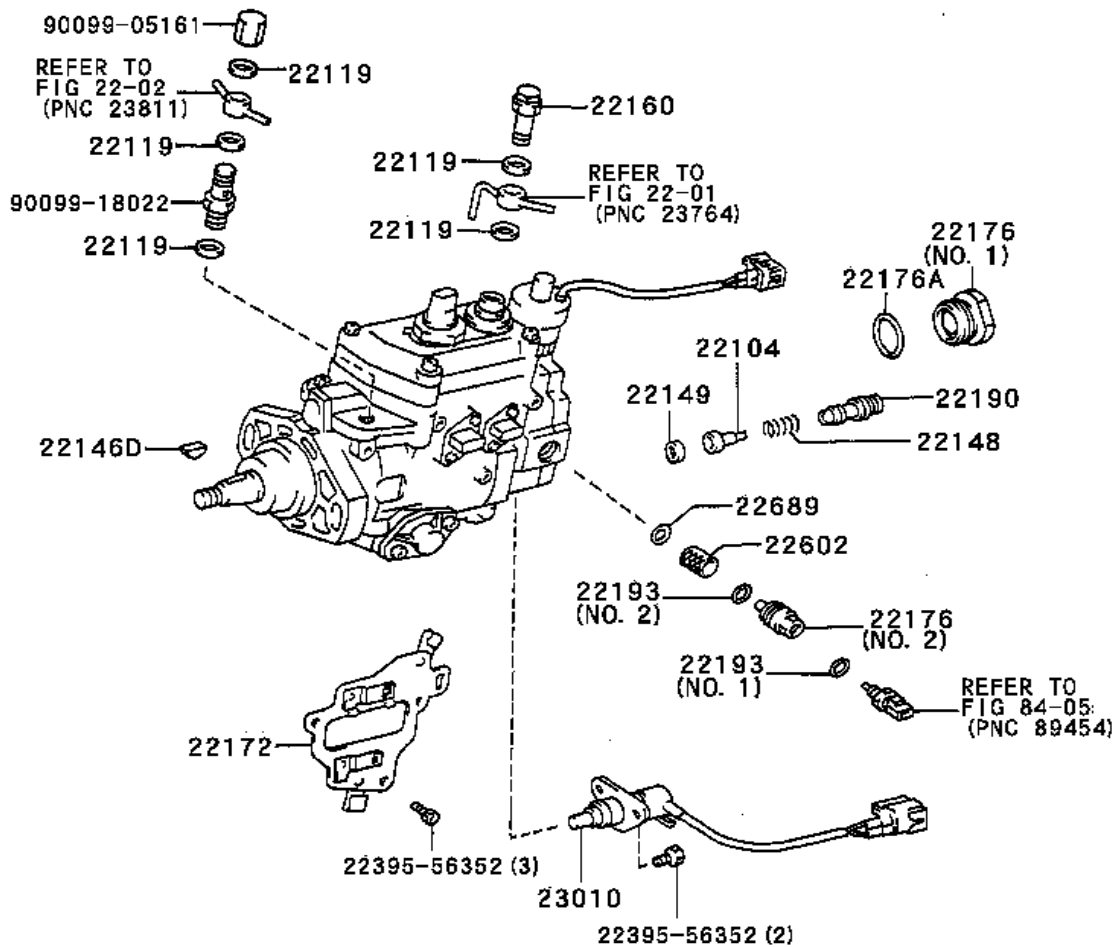




※1 (-9807)
 ※2 (9807-) RHD

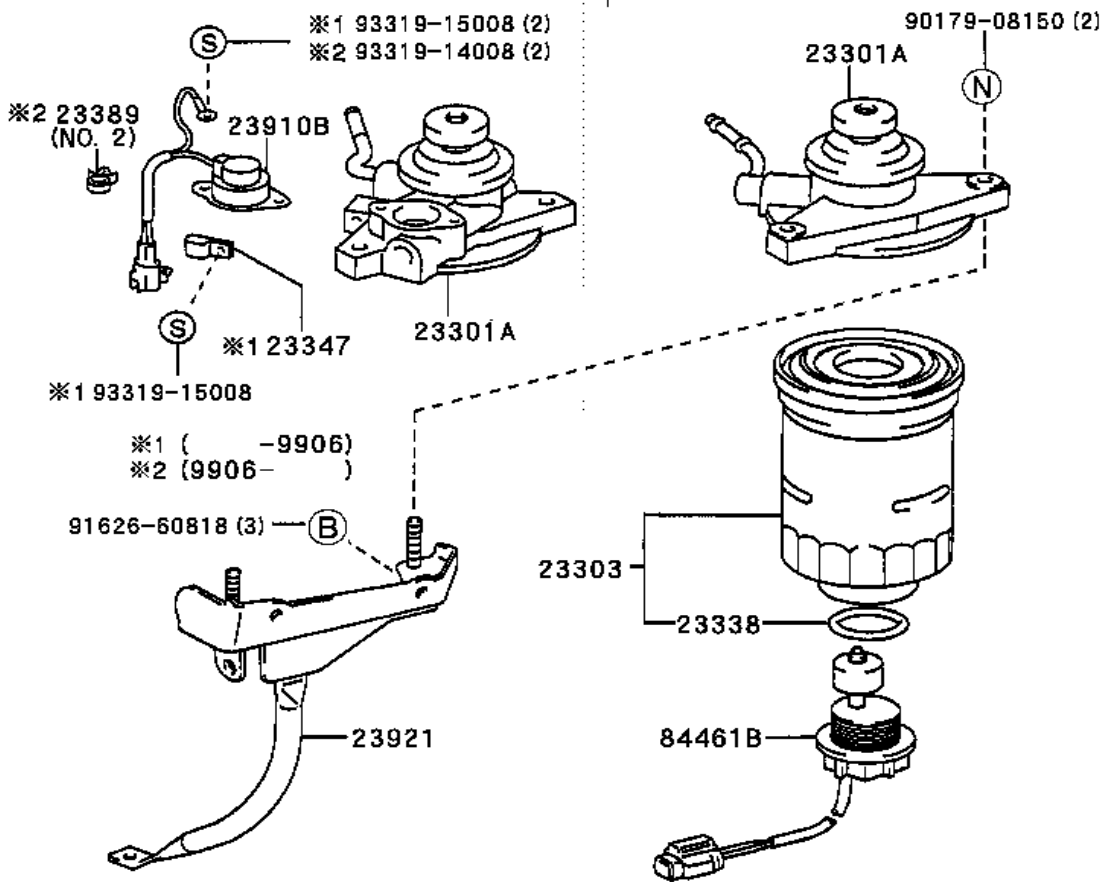
※1 90949-01993
 ※2 90464-00808



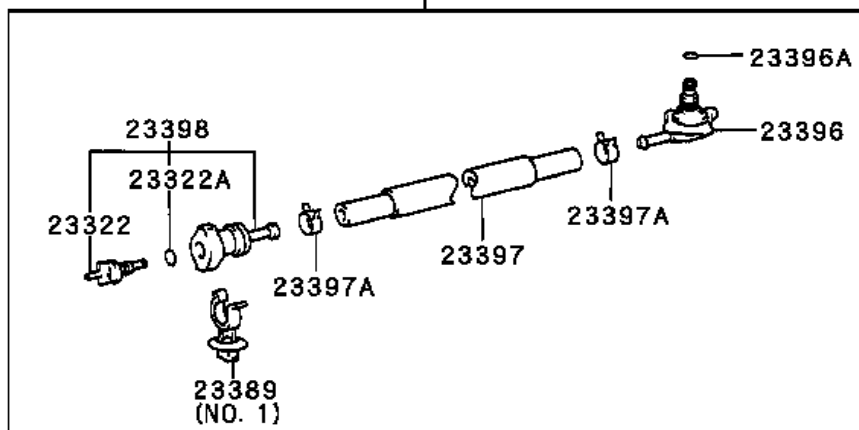


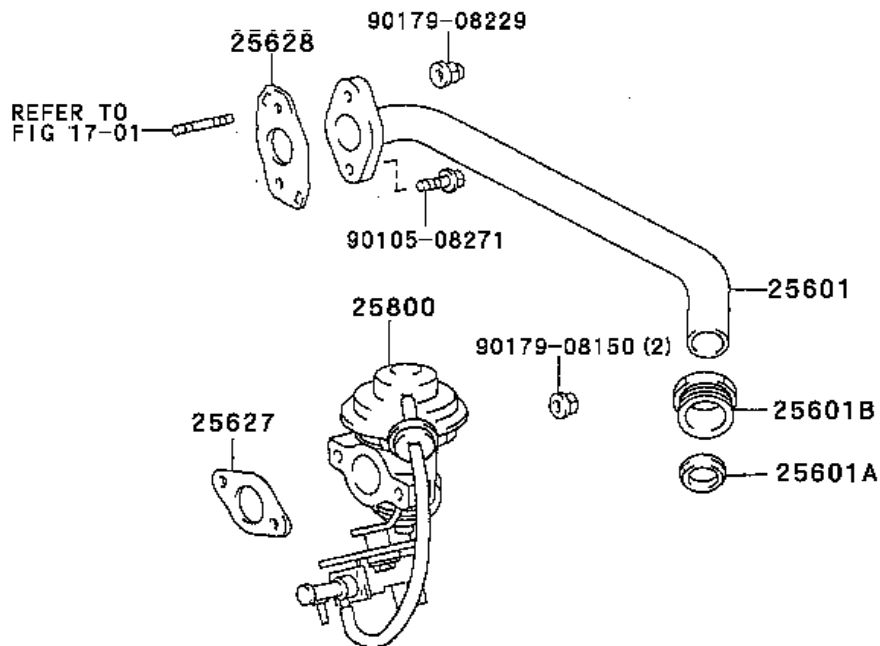
220003

W (FUEL HEATER)



23370



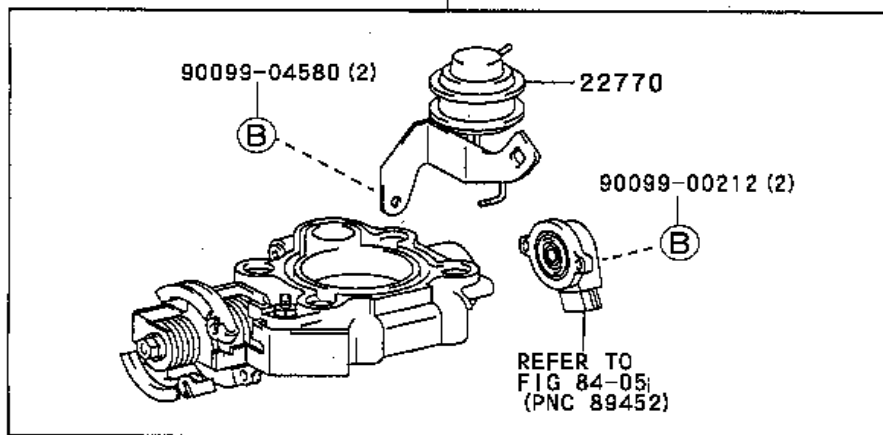


250035

90109-08234 (4)



26100



90099-04580 (2)

B

22770

90099-00212 (2)

B

REFER TO
FIG 84-05;
(PNC 89452)



26171