



2008

# *GRAND VITARA*

## *OWNER'S MANUAL*

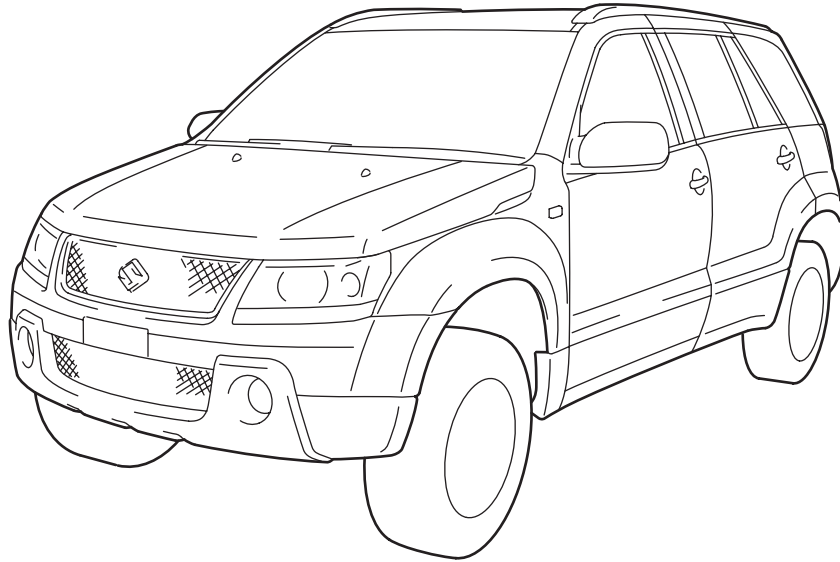
Keep With Vehicle At All Times.  
Contains Important Information  
On Safety, Operation & Maintenance.

**SUZUKI**  
*Caring for Customers*

Part No. 99011-66J22-03E  
July, 2007



**This owner's manual applies to the GRAND VITARA series:**



66J001

*NOTE: The illustrated model is one of the GRAND VITARA series.*

---

## INTRODUCTION

Thank you for choosing SUZUKI and welcome to our growing family. Your choice was a wise one; SUZUKI products are a great value that will give you years of driving pleasure.

This Owner's Manual was prepared to help you have a safe, enjoyable, and trouble-free experience with your SUZUKI. In it you will learn about the vehicle's operation, its safety features and maintenance requirements. Please read it carefully before operating your vehicle. Afterwards, keep this Manual in the glove box for future reference.

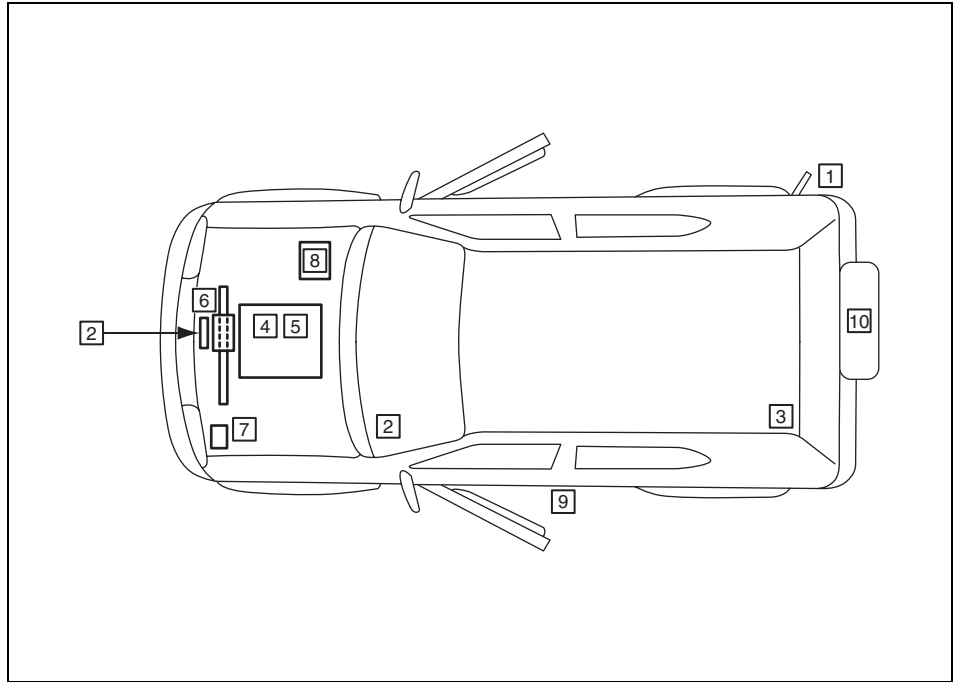
Should you resell the vehicle, please leave this Manual with it for the next owner.

In addition to the Owner's Manual, the other booklets provided with your SUZUKI explain the vehicle's warranties. We recommend you read them as well to familiarize yourself with this important information.

When planning the regular scheduled maintenance of your SUZUKI, we recommend you visit your local SUZUKI dealership. Their factory-trained technicians will provide the best possible service and use only genuine SUZUKI parts and accessories.

## SERVICE STATION GUIDE

1. Fuel (see section 1)
2. Engine hood (see section 5)
3. Tire changing tools (see section 5)
4. Engine oil dipstick <Yellow> (see section 9)
5. Automatic transmission fluid dipstick <Red> (see section 9)
6. Engine coolant (see section 9)
7. Windshield washer fluid (see section 9)
8. Battery (see section 9)
9. Tire pressure (see tire information label on driver's door lock pillar)
10. Spare tire (see section 9)



---

# TABLE OF CONTENTS

California Proposition 65 Warning

**⚠ WARNING**

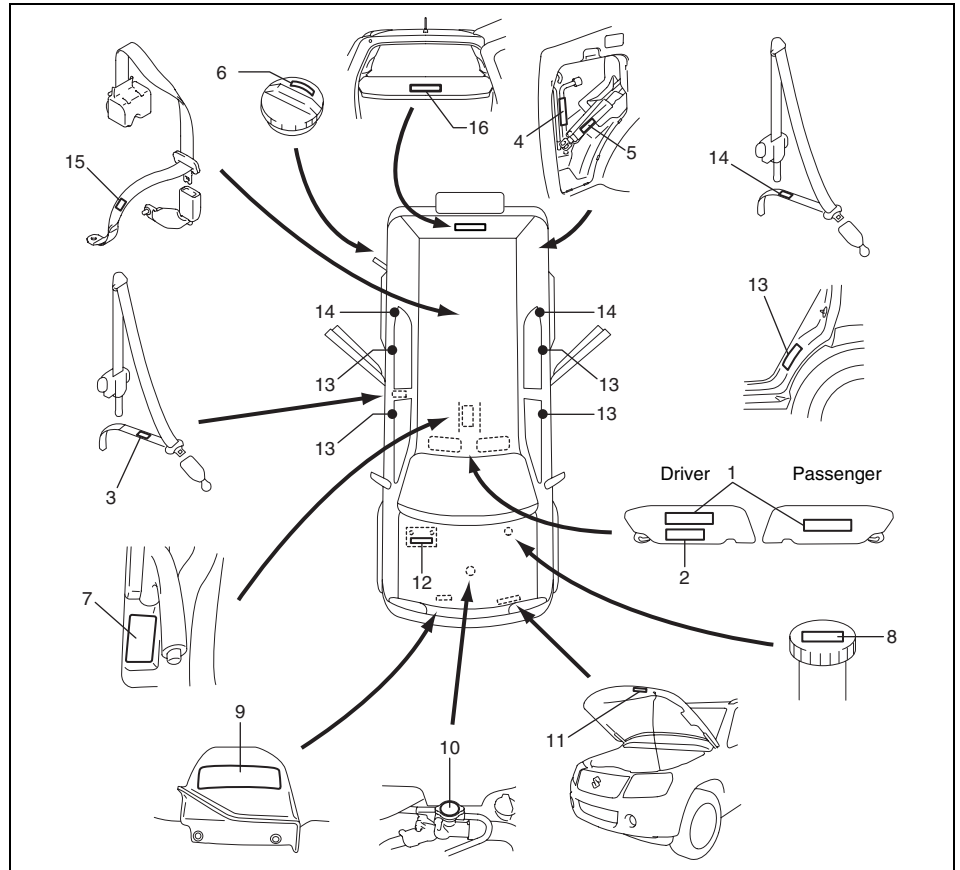
Engine exhaust, some of its constituents, and certain product components contain or emit chemicals known to the State of California to cause cancer and birth defects or other reproductive harm.

<b>FUEL RECOMMENDATION</b>	<b>1</b>
<b>BEFORE DRIVING</b>	<b>2</b>
<b>STEERING COLUMN CONTROLS</b>	<b>3</b>
<b>INSTRUMENT PANEL</b>	<b>4</b>
<b>OTHER CONTROLS AND EQUIPMENT</b>	<b>5</b>
<b>OPERATING YOUR VEHICLE</b>	<b>6</b>
<b>DRIVING TIPS</b>	<b>7</b>
<b>VEHICLE LOADING AND TOWING</b>	<b>8</b>
<b>INSPECTION AND MAINTENANCE</b>	<b>9</b>
<b>EMERGENCY SERVICE</b>	<b>10</b>
<b>APPEARANCE CARE</b>	<b>11</b>
<b>GENERAL INFORMATION</b>	<b>12</b>
<b>FUSES AND PROTECTED CIRCUITS</b>	<b>13</b>
<b>SPECIFICATIONS</b>	<b>14</b>
<b>INDEX</b>	<b>15</b>

# LOCATION OF WARNING MESSAGES

Read and follow all of the warnings (labels etc.) on your vehicle. Make sure you understand all of them. Keep them on the vehicle. Do not remove the messages for any reason. If a label comes off or the messages become difficult to be read, have it corrected by your SUZUKI dealer.

1. Air bag warning labels  
(on both sun visors)
2. Rollover warning label
3. Passenger seat belt warning label
4. Jacking warning label
5. Jacking warning label
6. Fuel filler cap message
7. Transfer switch warning label
8. Brake fluid cap message
9. Engine cooling fan warning label
10. Radiator cap warning label
11. Air conditioner warning label
12. Battery label
13. Side air bag warning label
14. Rear outboard seat belt warning label
15. Rear center seat belt warning label
16. Luggage compartment cover warning label



---

## FOREWORD

Your SUZUKI multipurpose vehicle is designed and built to be capable of performing both on pavement and off road. You should therefore remember that your vehicle is distinctly different from ordinary passenger cars in handling as well as in structure. As with other vehicles of this type, failure to operate this vehicle correctly may result in loss of control or an accident. Be sure to read "Important Vehicle Design Features to Know" and the "on-pavement" and "off-road" driving guidelines which follow. It is very important to familiarize yourself with the proper operation of this vehicle before you start driving.

---

**All information in this manual is based on the latest product information available at the time of publication. Due to improvements or other changes, there may be discrepancies between information in this manual and your vehicle.**

**SUZUKI MOTOR CORPORATION reserves the right to make production changes at any time, without notice and without incurring any obligation to make the same or similar changes to vehicles previously built or sold.**

---

SUZUKI MOTOR CORPORATION believes in conservation and protection of Earth's natural resources.

To that end, we encourage every vehicle owner to recycle, trade in, or properly dispose of, as appropriate, used motor oil, coolant, and other fluids, batteries and tires.

IF YOU HAVE ANY PROBLEMS WITH YOUR SUZUKI:

Please review the New Vehicle Warranty Information booklet supplied with your SUZUKI. Should you have a question or problem regarding the warranty or service of your vehicle, please take the following action:

Consult the Service Manager and the Owner of the Suzuki Automotive Dealership. Explain your problem and ask for their assistance in resolving your problem. The Owner of the dealership is in the very best position to assist you as he or she is vitally concerned with your continued satisfaction.

If you are still in need of additional information, or if you are dissatisfied, request that your dealer arrange a meeting with your District Service Manager.

If, after doing so, you still require further assistance, and you purchased your SUZUKI in the continental United States, please contact the American Suzuki Customer Relations Department by telephone at 1-800-934-0934 or in writing at:

American Suzuki Motor Corporation  
Automotive Customer Relations  
3251 East Imperial Highway  
Brea, CA 92821-6795

If you purchased your SUZUKI in Canada please contact the Suzuki Canada Customer Relations Department by telephone at 1-905-889-2677 extension 2254 or in writing at:

Suzuki Canada Inc.  
Customer Relations  
100 East Beaver Creek Road  
Richmond Hill, On  
L4B 1J6

In the event you require assistance related to your SUZUKI, while temporarily traveling in either the United States or Canada, you may wish to contact the Suzuki Customer Relations Department directly of the country in which you are temporarily operating your vehicle.

Please be certain to provide us with the following information: the model, Vehicle Identification Number, mileage, accessories involved, event dates, your concern, and any other comments which you may have. When we receive your correspondence, we will be pleased to contact the Owner of your dealership and assist in resolving your concern.

For owners outside the continental United States, please refer to the distributor's address listed in your Warranty Information booklet.

## SUZUKI MOTOR CORPORATION

## IMPORTANT

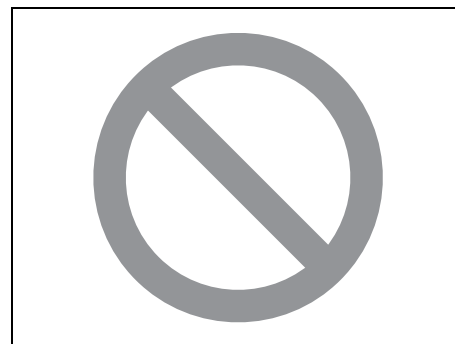
### ▲ WARNING/CAUTION/NOTE

Please read this manual and follow its instructions carefully. To emphasize special information, the symbol ▲ and the words **WARNING**, **CAUTION** and *NOTE* have special meanings. Pay special attention to the messages highlighted by these signal words:

<b>▲ WARNING</b>
<b>Indicates a potential hazard that could result in death or injury.</b>

<b>CAUTION</b>
<b>Indicates a potential hazard that could result in vehicle damage.</b>

*NOTE:*  
*Indicates special information to make maintenance easier or instructions clearer.*



75F135

The circle with a slash in this manual means "Don't do this" or "Don't let this happen".



---

## MODIFICATION WARNING

### WARNING

Do not modify this vehicle. Modification could adversely affect safety, handling, performance or durability and may violate governmental regulations. In addition, damage or performance problems resulting from modification may not be covered under warranty.

### CAUTION

Improper installation of mobile communication equipment such as cellular telephones or CB (Citizen's Band) radios may cause electronic interference with your vehicle's ignition system, resulting in vehicle performance problems. Consult your SUZUKI dealer or qualified service technician for advice on installing such mobile communication equipment.

## LEAK DETECTION PUMP

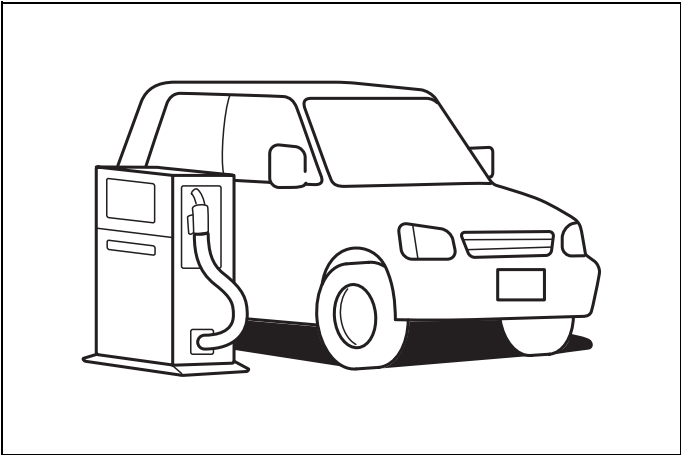
### NOTE:

*Your vehicle has a pump to regularly check the vehicle's evaporative emission control system for leaks. This check is performed approximately five hours after the engine is turned off. During this leak check, you may hear a sound coming from the vehicle for several minutes. This sound is normal and does not indicate a malfunction.*



# FUEL RECOMMENDATION

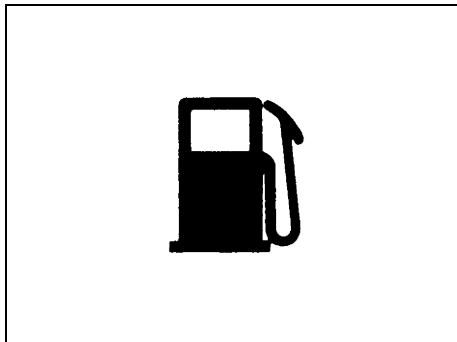
Fuel Recommendation ..... 1-1



65D394

## FUEL RECOMMENDATION

### Fuel Recommendation



60A004

Your vehicle requires regular unleaded gasoline with a minimum rating of 87 pump octane ((R + M)/2 method). In some areas, the only fuels that are available are oxygenated fuels.

Oxygenated fuels which meet the minimum octane requirement and the requirements described below may be used in your vehicle without jeopardizing the New Vehicle Limited Warranty.

#### NOTE:

*Oxygenated fuels are fuels which contain oxygen-carrying additives such as MTBE or alcohol.*

#### Gasoline Containing MTBE

Unleaded gasoline containing MTBE (methyl tertiary butyl ether) may be used in your vehicle if the MTBE content is not greater than 15%. This oxygenated fuel does not contain alcohol.

#### Gasoline/Ethanol blends

Blends of unleaded gasoline and ethanol (grain alcohol), also known as gasohol, may be used in your vehicle if the ethanol content is not greater than 10%.

#### Gasoline/Methanol blends

Fuels containing 5% or less methanol (wood alcohol) may be suitable for use in your vehicle if they contain cosolvents and corrosion inhibitors. Do NOT USE fuels containing more than 5% methanol under any circumstances. Fuel system damage or vehicle performance problems resulting from the use of such fuels are not the responsibility of SUZUKI and may not be covered under the New Vehicle Limited Warranty.

#### Fuel Pump Labeling

In some states, pumps that dispense oxygenated fuels are required to be labeled for the type and percentage of oxygenate and whether important additives are present. Such labels may provide enough information for you to determine if a particular blend of fuel meets the requirements listed above. In other areas, pumps may not be clearly labeled as to the content or type of oxygenate and additives. If you are not sure that the fuel you intend to use meets these requirements, check with the service station operator or the fuel supplier.

#### NOTE:

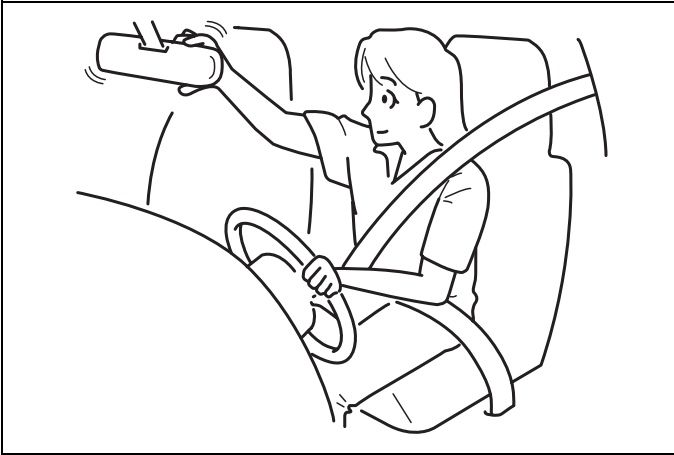
*To help clean the air, SUZUKI recommends you use the oxygenated fuels. However, if you are not satisfied with the driveability or fuel economy of your vehicle when you are using an oxygenated fuel, switch back to the regular unleaded gasoline.*

#### CAUTION

**Be careful not to spill fuel containing alcohol while refueling. If fuel is spilled on the vehicle body, wipe it up immediately. Fuels containing alcohol can cause paint damage, which is not covered under the New Vehicle Limited Warranty.**

## BEFORE DRIVING

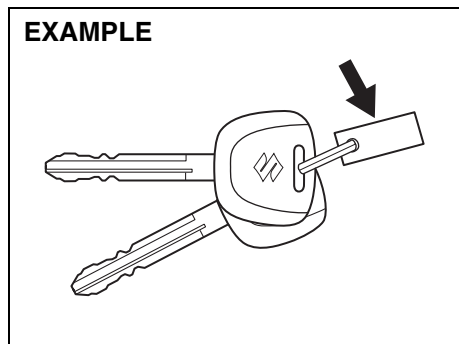
Keys .....	2-1
Spare Tire Nut Lock (if equipped) .....	2-1
Door Locks .....	2-2
Windows .....	2-14
Mirrors .....	2-16
Seat Adjustment .....	2-17
Head Restraints .....	2-19
Seat Belts and Child Restraint Systems .....	2-20
Supplemental Restraint System (air bags) .....	2-37



60G404

## BEFORE DRIVING

### Keys



54G489

Your vehicle comes with a pair of identical keys. Keep the spare key in a safe place. One key can open all of the locks on the vehicle.

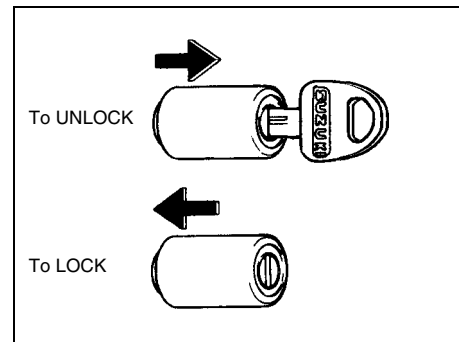
The key identification number is stamped on a metal tag provided with the keys. Keep the tag in a safe place. If you lose your keys, you will need this number to have new keys made. Write the number below for your future reference.

KEY NUMBER:

### Ignition Key Reminder

A buzzer sounds intermittently to remind you to remove the ignition key if it is in the ignition switch when the driver's door is opened.

### Spare Tire Nut Lock (if equipped)



64J172

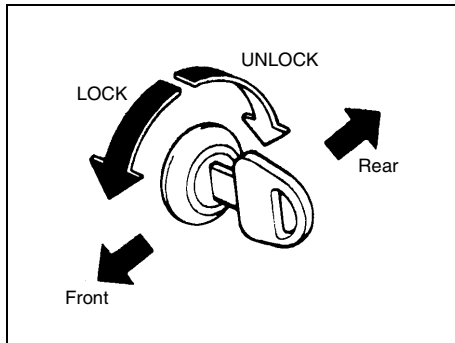
A nut lock is used for the spare tire. To unlock the spare tire nut, insert the ignition key into the lock as far as the key will go and remove the lock with the key in. To lock the spare tire nut, put the lock on the nut and push the lock in.

## Door Locks

### ⚠ WARNING

Always lock all doors when driving. Locking the doors helps to prevent occupants from being thrown from the vehicle in the event of an accident. It also helps prevent unintended opening of the doors.

## Side Door Locks

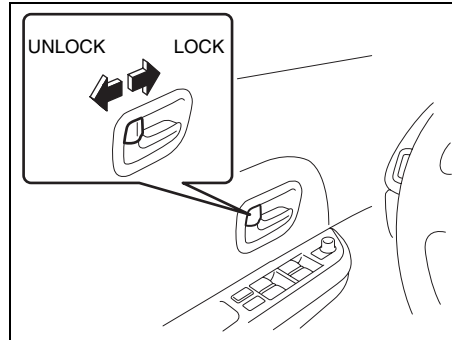


60A009

To lock a front door from outside the vehicle:

- Insert the key and turn the top of the key toward the front of the vehicle, or
- Turn the lock knob forward and close the door.

To unlock a front door from outside the vehicle, insert the key and turn the top of the key toward the rear of the vehicle.

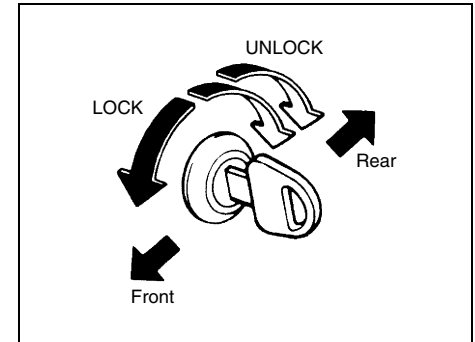


64J002

To lock a door from inside the vehicle, turn the lock knob forward. Turn the lock knob rearward to unlock the door.

To lock a rear side door from outside the vehicle, turn the lock knob forward and close the door.

## Power Door Locking System (if equipped)



64J003

You can lock and unlock all doors (including the tailgate) simultaneously by:

- Turning the key in the driver's door lock, or
- Pushing the power door locking switch located on the door panel of either front door.

### (when using the key)

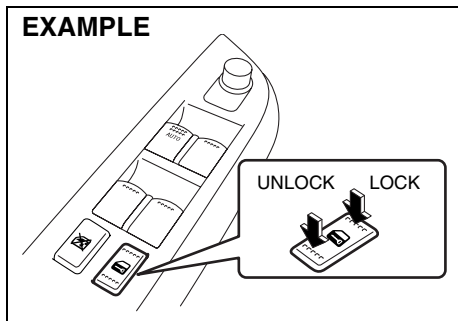
To lock all doors simultaneously, insert the key in the driver's door lock, and turn the key to the LOCK side.

To unlock all doors simultaneously, insert the key in the driver's door lock and turn the key to the UNLOCK side twice.

## BEFORE DRIVING

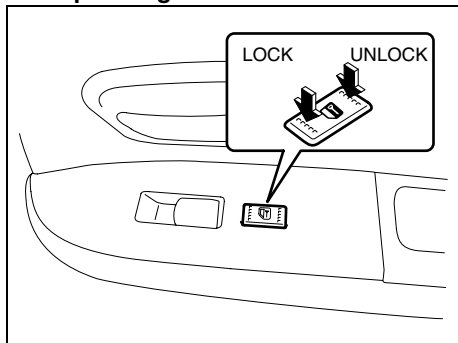
### Driver's side

#### EXAMPLE



64J004

### Front passenger's side



66J012

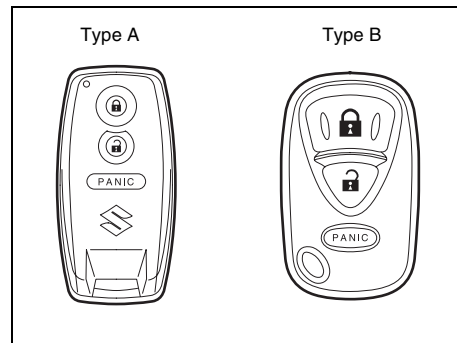
### (when using the power door locking switch)

To lock or unlock all the doors simultaneously, depress the front or rear of the switch respectively.

#### NOTE:

- If your vehicle is equipped with the keyless entry system, you can also lock or unlock all doors by operating the transmitter. Refer to "Keyless Start System Remote Controller/Keyless Entry System Transmitter" in this section.
- If your vehicle is equipped with the keyless start system, you can also lock or unlock all doors by pushing the request switch on the door handle. Refer to "Keyless Start System Remote Controller/Keyless Entry System Transmitter" in this section.

### Keyless Start System Remote Controller/Keyless Entry System Transmitter



66J111

Your vehicle is equipped with either a keyless start system remote controller (Type A) or a keyless entry system transmitter (Type B). The remote controller has a keyless entry system and a keyless start system. The transmitter has only a keyless entry system. For details, refer to the following explanations.

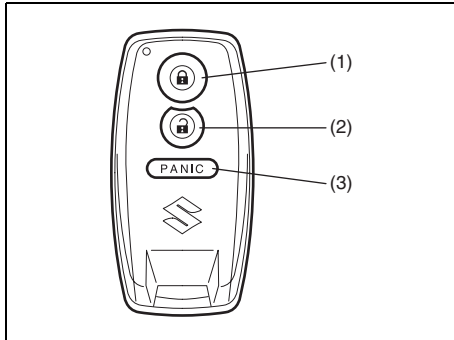
### Keyless Start System Remote Controller (Type A)

The remote controller enables the following operations:

- You can lock or unlock the doors by operating the LOCK/UNLOCK buttons on the remote controller. Refer to the explanation in this section.



- You can lock or unlock the doors by pushing the request switch on the door handle. For details, refer to the explanation in this section.
- You can start the engine without using an ignition key. For details, refer to “Ignition Switch” in the “STEERING COLUMN CONTROLS” section and “Starting the Engine” in the “OPERATING YOUR VEHICLE” section.



66J114

- (1) “LOCK” button
- (2) “UNLOCK” button
- (3) “PANIC” button

**“LOCK” button (1) / “UNLOCK” button (2) function**

You can lock or unlock all doors (including the tailgate) simultaneously by operating the remote controller near the vehicle.

- To lock the doors, push the “LOCK” button (1).
- To unlock the driver’s door, push the “UNLOCK” button (2) once.
- To unlock other doors, wait a second or two, then push the “UNLOCK” button (2) a second time. If you “double-click” too fast, the doors will not unlock.

When the doors are locked, the turn signal lights will flash once.

When the doors are unlocked:

- The turn signal lights will flash twice.
- If the interior light switch is in the middle position, the interior light will turn on for about 15 seconds and then fade out. If you push in the ignition switch or insert the key during this time, the light will start to fade out immediately.

Be sure the doors are locked after you operate the “LOCK” button. If no door is opened within about 30 seconds after the “UNLOCK” button is operated, the doors will automatically lock again.

**NOTE:**

- *The maximum operating distance of the remote controller is about 5 m (16 ft.), but this can vary depending on the surroundings, especially near other transmitting devices such as radio towers or CB (Citizen’s Band) radios.*
- *The door locks can not be operated with the remote controller if the ignition switch is in a position other than “LOCK”, or the*

*ignition key is inserted in the ignition switch.*

*If any door is open, you cannot lock the door by operating the remote controller, however unlock the door.*

- *You cannot lock the door unless all of the doors are closed completely.*
- *If you lose one of the remote controllers, ask your SUZUKI dealer as soon as possible for a replacement. Be sure to have your dealer program the new remote controller code in your vehicle’s memory so that the old code is erased, or perform the programming procedure yourself according to the instructions in this section.*

**“PANIC” button (3) function**

This function is to get the attention of others.

Press the “PANIC” button (3) for more than 1 second. The headlights and taillights will blink for about 30 seconds. Also, the horn will sound intermittently for about 30 seconds at the same time.

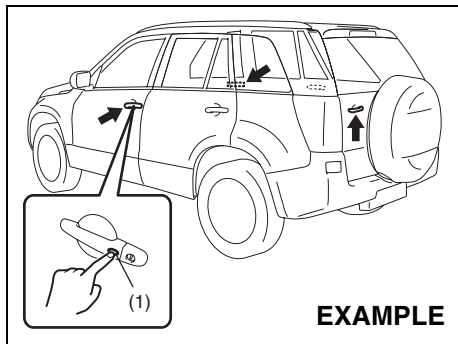
To cancel the “PANIC” mode, press any button (PANIC, LOCK or UNLOCK) on the remote controller. You can also insert the key in the ignition switch and turn to the “ON” position to cancel the “PANIC” mode.

**NOTE:**

*The “PANIC” button function will not activate when the key is in the ignition switch.*

## BEFORE DRIVING

### Keyless unlocking/locking using the request switches



64J006

When the remote controller is within the operating range described in this section, you can lock or unlock the doors by pushing the request switch (1) on the door handle of the driver's door, front passenger's door or tailgate.

To lock all doors when all doors are unlocked:

- Push the request switch on one of the door handles once.

The turn signal lights will flash once when the doors are locked.

To unlock a door or all doors:

- Push the request switch on the door handle once to unlock only one door.
- Push the request switch on the door handle twice to unlock all doors.

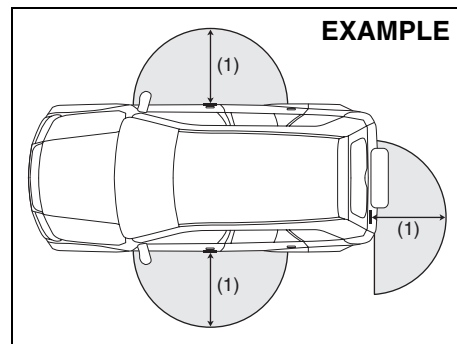
When the doors are unlocked:

- The turn signal lights will flash twice.
- If the interior light switch is in the middle position, the interior light will turn on for about 15 seconds and then fade out. If you push in the ignition switch or insert the key during this time, the light will start to fade out immediately.

Be sure the doors are locked after you operate the request switch to lock the doors.

#### NOTE:

- *The door locks can not be operated by the request switch under the following conditions:*
  - *If any door is open or is not completely closed.*
  - *If the ignition switch is in a position other than "LOCK".*
  - *If the ignition key is inserted in the ignition switch.*
- *If no doors are opened within about 30 seconds after unlocking the doors by pushing the request switch, the doors will be locked again automatically.*



66J163

(1) 80 cm (2 1/2 feet)

When the remote controller is within approximately 80 cm (2 1/2 feet) from a front door handle or the tailgate switch, you can lock or unlock the doors by pushing the request switch.

#### NOTE:

- *If the remote controller is outside the request switch operating range described above, you will not be able to operate the request switch.*
- *If the battery of the remote controller runs down or there are strong radio waves or noise, the request switch operating range may be reduced or the remote controller may be inoperative.*
- *If the remote controller is too close to the door glass, the request switches may not operate.*

- If a spare remote controller is in the vehicle, the request switches may not operate normally.
- The remote controller will only operate a request switch if it is within the switch's operating range. For example, if the remote controller is within the operating range of the driver's door request switch but not the front passenger's door request switch or the tailgate request switch, the driver's door switch can be operated but the front passenger's door switch or tailgate switch can not be operated.

**CAUTION**

The remote controller is a sensitive electronic instrument. To avoid damaging the remote controller:

- Do not expose it to impacts, moisture or high temperature such as by leaving it on the dashboard under direct sunlight.
- Keep the remote controller away from magnetic objects such as a television.

**NOTE:**

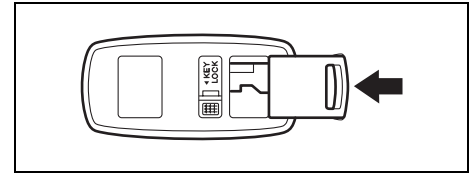
The keyless start system may not function correctly in certain environments or under certain operating conditions such as the following:

- When there are strong signals coming from a television, power station or a cellular phone.

- When the remote controller is in contact with or covered by a metal object.
- When a radio wave type remote keyless entry is used nearby.
- When the remote controller is placed near an electronic device such as personal computer.

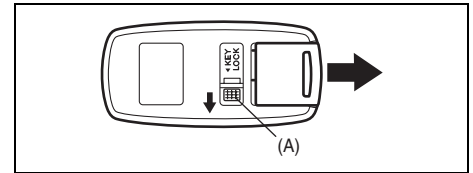
Some additional precautions you should take and information you should be aware of are:

- Make sure the ignition key is stowed in the remote controller. If the remote controller becomes unreliable, you will not be able to lock or unlock the doors or start the engine.
- Be sure that the driver always carries the remote controller.
- If you lose one of the remote controllers, ask your SUZUKI dealer as soon as possible for a replacement. Be sure to have your dealer program the new remote controller code in your vehicle's memory so that the old code is erased, or perform the programming procedure yourself according to the instructions in this section.
- You can use up to four remote controllers and ignition keys for your vehicle. Ask your SUZUKI dealer for details.
- The battery life of the remote controller is about two years, but it can vary depending on usage conditions.



63J281

To stow the ignition key into the remote controller, push the key in the remote controller until you hear a click.

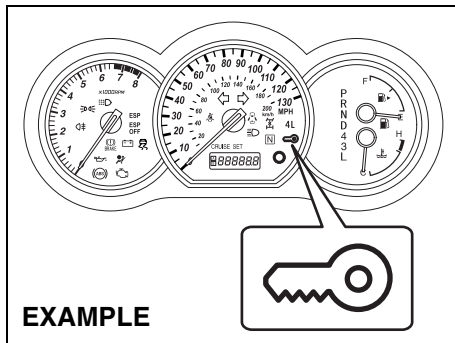


63J282

To remove the key from the remote controller, push the button (A) in the direction of the arrow and pull the key out from the remote controller.

## BEFORE DRIVING

### Reminder function



If the remote controller is not in the vehicle under the following conditions, a buzzer sounds intermittently for about 2 seconds and the keyless start system indicator light on the instrument cluster blinks in red:

- When the vehicle speed is over 10 km/h (6 mph).
- When one or more doors are opened and all of the doors are later closed with the ignition switch in a position other than "LOCK".

The red indicator light will turn off within several seconds after the remote controller is returned to an area of the vehicle other than the rear luggage area.

If the remote controller is left in the vehicle and you lock the driver's door or front passenger's door as described below, the door will be automatically unlocked.

- If you open the driver's door and lock the door by turning the lock knob forward or pushing the power door locking switch, the driver's door will be automatically unlocked.
- If you open a door other than the driver's door and lock the front passenger's door by turning the lock knob forward or pushing the power door locking switch, the front passenger's door will be automatically unlocked.

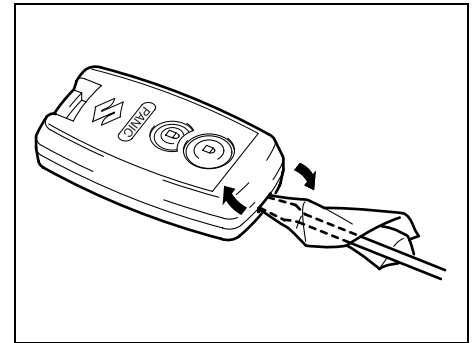
#### NOTE:

- *The reminder will not operate when the remote controller is on the instrument panel, in the glove box, in the door pocket, in the sun visor or on the floor etc.*
- *Be sure that the driver always carries the remote controller.*
- *Do not leave the remote controller in the vehicle when leaving the vehicle.*

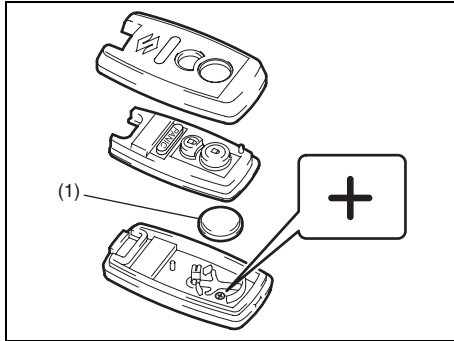
### Replacement of the battery

If the remote controller becomes unreliable, replace the battery.

To replace the battery of the remote controller:



- 1) Insert a flat blade screw driver covered with a soft cloth in the slot of the remote controller and pry it open.



66J017

- 2) Replace the battery (1) (Lithium disc type CR2032 or equivalent) so its + terminal faces the bottom of the case as shown in the illustration.
- 3) Close the remote controller firmly.
- 4) Make sure the door locks can be operated with the remote controller.
- 5) Dispose of the used battery properly according to applicable rules or regulations. Do not dispose of lithium batteries with ordinary household trash.

### **⚠ WARNING**

**Swallowing a lithium battery may cause serious internal injury. Do not allow anyone to swallow a lithium battery. Keep lithium batteries away from children and pets. If swallowed, contact a physician immediately.**

### **CAUTION**

**The transmitter/remote controller is a sensitive electronic instrument. To avoid damaging it, do not expose it to dust or moisture or tamper with internal parts.**

### **Programming/erasing the remote controller code yourself**

Your new vehicle was originally equipped with two remote controllers.

If you have lost one of the remote controllers, you should change the remote controller code in your vehicle's memory as soon as possible for security. If you purchase additional remote controllers, the new remote controllers need to be programmed into your vehicle's memory. You can perform this yourself by using the following procedure:

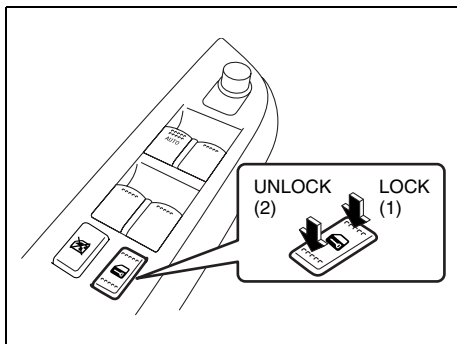
#### **NOTE:**

- *You can program up to four remote controller codes into your vehicle's memory. The four codes may be the same or different.*
- *If you try to program a fifth code, the four remote controller codes that are programmed will be cleared automatically.*
- *If you program a new remote controller code, all of the old remote controller codes that are in your vehicle's memory will be erased automatically. When you program a new remote controller, you should reprogram any additional remote controllers at the same time.*
- *To purchase new remote controllers, see your SUZUKI dealer.*
- *Before you begin programming, have all of your remote controllers available.*

## BEFORE DRIVING

### To program a new remote controller

- 1) Close all the doors of the vehicle.
- 2) Sit in the driver's seat and confirm that the driver's door is unlocked.
- 3) Insert the key into the ignition switch.
- 4) Complete steps 1 through 6 described below within 25 seconds after step 3).



64J004

1. Push the power door locking switch of the driver's door to the lock position and then push it to the unlock position.
2. Repeat step 1 two more times.
3. Push the power door locking switch of the driver's door to the lock position.
4. Remove the key from the ignition switch and then insert it again.
5. Repeat step 4 three more times.
6. To start the engine, turn the ignition switch to the "START" position. Wait for 3 seconds.

7. Proceed to step 5) within 60 seconds after the engine has started.

#### NOTE:

*You cannot program the remote controller if you don't complete steps 1 through 6 within 25 seconds.*

*You cannot program the remote controller if you do not proceed to step 5) within 60 seconds after the engine has started.*

- 5) Turn the ignition switch to the "LOCK" position.

A buzzer will sound twice and the door lock switch will be activated from the lock position to the unlock position automatically.

- 6) Press the "LOCK", "UNLOCK" or "PANIC" button on the remote controller.

A buzzer will sound twice and the door lock switch will be activated from the lock position to the unlock position automatically.

If you want to program an additional remote controller, repeat the procedure of step 6) using the additional remote controller.

#### NOTE:

*Complete step 6) within 30 seconds.*

*You can program up to four remote controllers.*

- 7) To complete programming, remove the key from the ignition switch or turn the ignition switch to the "ON" position.
- 8) Make sure that the keyless start system and keyless entry system operate properly by operating each remote controller.

If you cannot operate the keyless start system and/or keyless entry system, repeat this programming procedure again.

If you still cannot operate the systems, see your SUZUKI dealer.

### To change the old remote controller codes in your vehicle's memory

If you have lost one of the remote controllers, you should change the remote controller codes in your vehicle's memory as soon as possible for security.

To erase the remote controller code(s) in your vehicle's memory, you should program the new remote controller code. The old codes in your vehicle's memory will be erased automatically. If you have more remote controller(s), you must program all of the remote controller codes at the same time. You cannot operate the keyless start system and keyless entry system using any remote controller that is not programmed at the same time.

For details on how to program, refer to the programming procedure in this section.

When you complete programming, make sure that the keyless start system and key-

less entry system operate properly by operating each remote controller.

**1. For USA**

This device complies with Part 15 of the FCC Rules. Operation is subject to the following two conditions:

- 1) This device may not cause harmful interference, and
- 2) This device must accept any interference received, including interference that may cause undesired operation.

**NOTE:**

*Changes or modifications not expressly approved by the party responsible for compliance could void the user's authority to operate the equipment.*

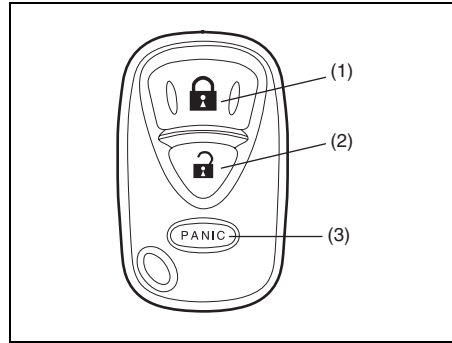
**2. For Canada**

This device complies with Industry Canada Standard RSS-210. Operation is subject to the following two conditions:

- 1) This device may not cause interference, and
- 2) This device must accept any interference, including interference that may cause undesired operation of the device.

The term "IC:" before the certification/registration number only signifies that the Industry Canada technical specifications were met.

**Keyless Entry System Transmitter (Type B)**



52D209

- (1) "LOCK" button
- (2) "UNLOCK" button
- (3) "PANIC" button

**"LOCK" button (1) / "UNLOCK" button (2) function**

You can lock or unlock all doors (including the tailgate) simultaneously by operating the transmitter near the vehicle.

- To lock the doors, push the "LOCK" button (1).
- To unlock the driver's door, push the "UNLOCK" button (2) once.
- To unlock other doors, wait a second or two, then push the "UNLOCK" button (2) a second time. If you "double-click" too fast, the doors will not unlock.

When the doors are locked, the turn signal lights will flash once.

When the doors are unlocked:

- The turn signal lights will flash twice.
- If the interior light switch is in the middle position, the interior light will turn on for about 15 seconds and then fade out. If you insert the key into the ignition switch during this time, the light will start to fade out immediately.

Be sure the doors are locked after you operate the "LOCK" button. If no door is opened within about 30 seconds after the "UNLOCK" button is operated, the doors will automatically lock again.

**NOTE:**

- *The maximum operating distance of the keyless entry system transmitter is about 5 m (16 ft.), but this can vary depending on the surroundings, especially near other transmitting devices such as radio towers or CB (Citizen's Band) radios.*
- *The door locks can not be operated with the transmitter, if the ignition key is inserted in the ignition switch.*
- *If you lose one of the transmitters, ask your SUZUKI dealer as soon as possible for a replacement. Be sure to have your dealer program the new transmitter code in your vehicle's memory so that the old code is erased, or perform the programming procedure yourself according to the instructions in this section.*

### CAUTION

The transmitter is a sensitive electronic instrument. To avoid damaging the transmitter:

- Do not expose it to impacts, moisture or high temperature such as by leaving it on the dashboard under direct sunlight.
- Keep the transmitter away from magnetic objects such as a television.

### “PANIC” button (3) function

This function is to get the attention of others.

Press the “PANIC” button (3) for more than 1 second. The headlights and taillights will blink for about 30 seconds. Also, the horn will sound intermittently for about 30 seconds at the same time.

To cancel the “PANIC” mode, press any button (PANIC, LOCK or UNLOCK) on the transmitter. You can also insert the key in the ignition switch and turn to the “ON” position to cancel the “PANIC” mode.

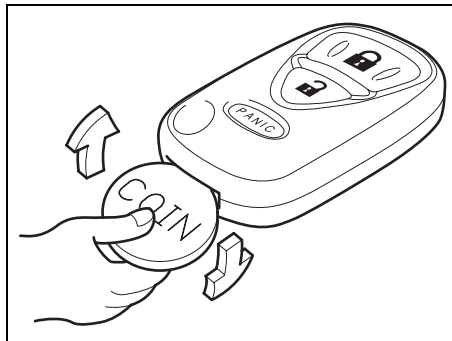
### NOTE:

The “PANIC” button function will not activate when the key is in the ignition switch.

### Replacement of the battery

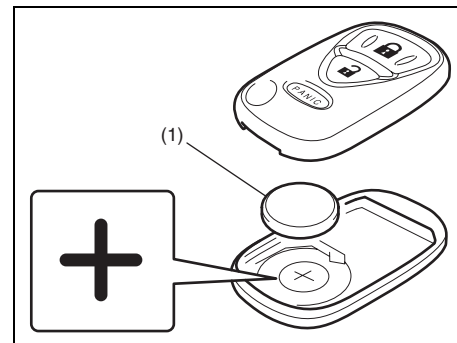
If the transmitter becomes unreliable, replace the battery.

To replace the battery of the transmitter:



52D210

- 1) Put the edge of a coin or a flat blade screw driver in the slot of the transmitter and pry it open.



52D211

- 2) Replace the battery (1) (Lithium disc-type CR2025 or equivalent) so its + terminal faces the “+” mark of the transmitter.
- 3) Close the transmitter firmly.
- 4) Make sure the door locks can be operated with the transmitter.
- 5) Dispose of the used battery properly according to applicable rules or regulations. Do not dispose of lithium batteries with ordinary household trash.

### ⚠ WARNING

Swallowing a lithium battery may cause serious internal injury. Do not allow anyone to swallow a lithium battery. Keep lithium batteries away from children and pets. If swallowed, contact a physician immediately.



**CAUTION**

The transmitter/remote controller is a sensitive electronic instrument. To avoid damaging it, do not expose it to dust or moisture or tamper with internal parts.

**Programming/removing a transmitter code yourself**

Your new vehicle was originally equipped with two transmitters.

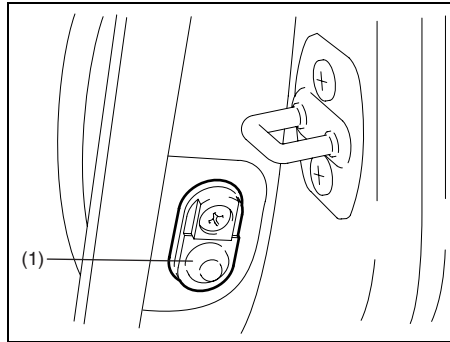
If you have lost one of the transmitters, you should change the transmitter code in your vehicle's memory as soon as possible for security. If you purchase additional transmitters, the new transmitters need to be programmed into your vehicle's memory. You can perform this yourself by using the following procedure:

**NOTE:**

- You can program up to three transmitter codes into your vehicle's memory. The three codes may be the same or different.
- If you try to program a fourth code, the oldest code will be cleared automatically.
- To purchase new transmitters, see your SUZUKI dealer.
- Before you begin programming, have all of your transmitters available.

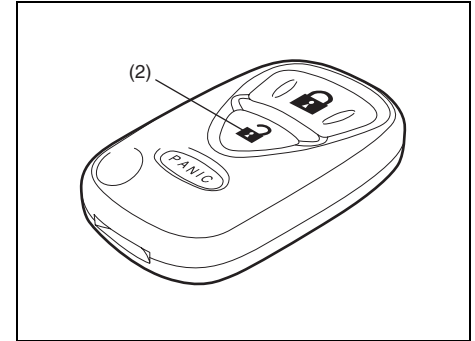
**To program a new transmitter**

- 1) Confirm that all the doors are closed and the ignition key is out of the ignition switch.
- 2) Open the driver's door.
- 3) Insert the key, turn the ignition switch to the "ON" position, turn the ignition switch to the "LOCK" position and remove the key within 10 seconds.



66J018

- 4) Push and release the driver's door switch (1) 3 times, insert the key, and turn the ignition switch to the "ON" position within 20 seconds.
- 5) Turn the ignition switch to the "LOCK" position and remove the key within 10 seconds. All doors will lock/unlock to confirm that this procedure has been properly completed.



52D212

- 6) Press the "UNLOCK" button (2) on the transmitter one time within 20 seconds (after step 5). All the doors will lock/unlock to confirm that the procedure has been completed and the transmitter has been programmed.
- 7) If you want to program an additional transmitter, repeat the procedure from step 1) through step 6).
- 8) Make sure that the keyless entry system operates properly by operating each transmitter.

## BEFORE DRIVING

### To change the old transmitter codes in your vehicle's memory

If you have lost one of the transmitters, you should change the transmitter codes in your vehicle's memory as soon as possible for security.

To remove one of the transmitter codes from your vehicle's memory, first replace all three of the transmitter codes in your vehicle's memory, then program additional transmitters as follows:

- 1) Program one of your transmitters three times, by repeating the programming procedure shown in this section. This will replace all the old transmitter codes in the vehicle's memory with the code for the transmitter you are using.
- 2) If you want to program up to two additional transmitters, repeat the programming procedure shown in this section.
- 3) Make sure that the keyless entry system operates properly by operating each transmitter.

### 1. For USA

This device complies with Part 15 of the FCC Rules. Operation is subject to the following two conditions:

- 1) This device may not cause harmful interference, and
- 2) This device must accept any interference received, including interference that may cause undesired operation.

#### NOTE:

*Changes or modifications not expressly approved by the party responsible for compliance could void the user's authority to operate the equipment.*

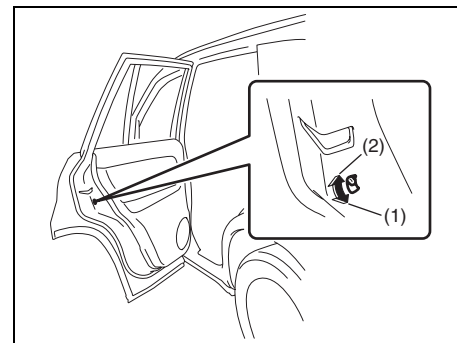
### 2. For Canada

This device complies with Industry Canada Standard RSS-210. Operation is subject to the following two conditions:

- 1) This device may not cause interference, and
- 2) This device must accept any interference, including interference that may cause undesired operation of the device.

The term "IC:" before the certification/registration number only signifies that the Industry Canada technical specifications were met.

### Child Lock System (rear doors)



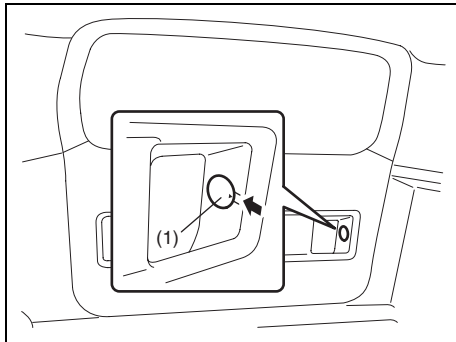
64J009

Each of the rear doors is equipped with a child lock which can be used to help prevent unwanted opening of the door from inside the vehicle. When the lock lever is in the "LOCK" position (1), the rear door can only be opened from outside. When the lock lever is in the "RELEASE" position (2), the rear door can be opened from inside or outside.

## Tailgate

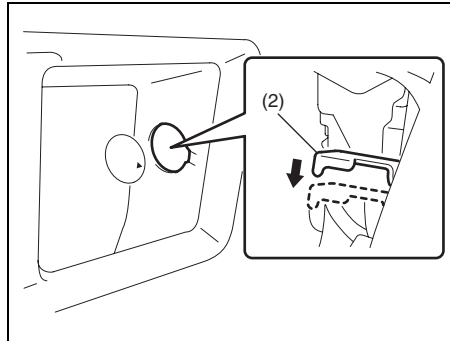
If you can not unlock the tailgate due to a discharged battery or malfunction, follow the procedures below to unlock the tailgate from inside the vehicle.

- 1) Remove the luggage compartment cover.
- 2) Fold the rear seat forward for easier access. Refer to the "Folding Rear Seats" section for details on how to fold the rear seat forward.



64J202

- 3) Remove the cap (1) by hand.
- 4) Break the vinyl using a jack handle or a flat blade screw driver to access the emergency lever (2).



64J203

- 5) Push down on the emergency lever (2) using a jack handle or a flat blade screw driver. To lock the tailgate, push up on the emergency lever (2).

### **⚠ WARNING**

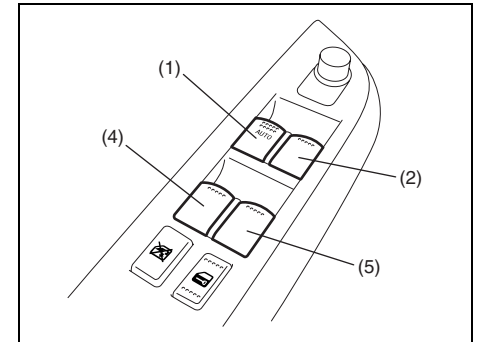
**To avoid injury, do not use your finger to push the emergency lever.**

After using the emergency lever, be sure to see your SUZUKI dealer.

## Windows

### Power Window Controls (if equipped)

#### Driver's side



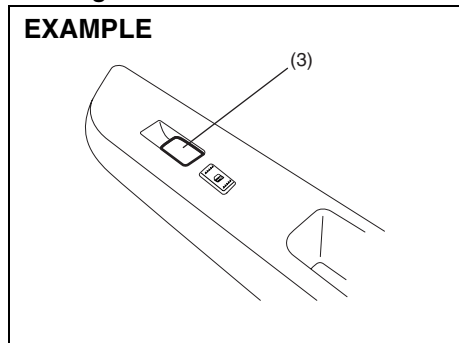
64J011

The power windows can only be operated when the ignition switch is in the "ON" position.

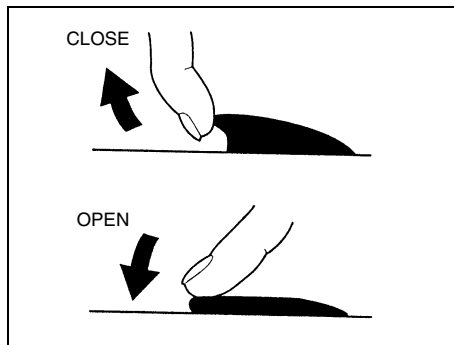
The driver's door has switches (1), (2), (4), (5), to operate the driver's window, the front passenger's window, the rear left window and right window, respectively.

## BEFORE DRIVING

### Passenger's door



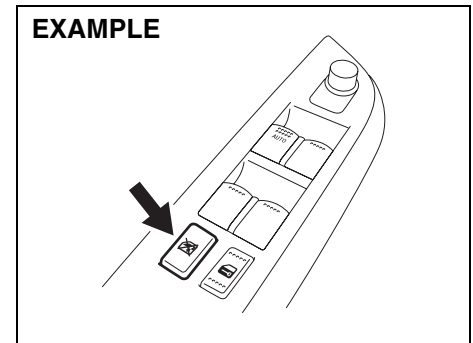
The passenger's door has a switch (3) to operate the passenger's window.



To open a window, push the top part of the switch and to close the window lift up the top part of the switch.

The driver's window has an "auto-down" feature for added convenience (at toll booths or drive-through restaurants, for example). This means you can open the window without holding the window switch in the "Down" position. Press the driver's window switch completely down and release it. To stop the window before it reaches the bottom, pull the switch up briefly.

### Lock switch



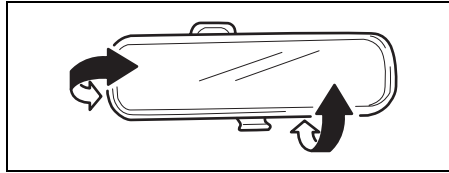
The driver's door also has a lock switch for the passenger's window(s). When you push in the lock switch, the passenger's window(s) can not be raised or lowered by operating either of the switches (2), (3), (4) or (5). To restore normal operation, release the lock switch by pushing again.

**⚠ WARNING**

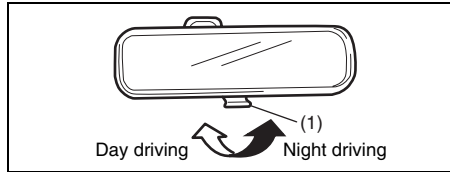
- You should always lock the passenger's window operation when there are children in the vehicle. Children can be seriously injured if they get part of their body caught by the window during operation.
- To avoid injuring an occupant by window entrapment, be sure no part of the occupant's body such as hands or head is in the path of the electric windows when closing them.
- Always remove the ignition key when leaving the vehicle even if a short time. Also do not leave children alone in a parked vehicle. Unattended children could use the electric window switches and get trapped by the window.

**NOTE:**

*If you drive with one of the rear windows open, you may hear a loud sound caused by air vibration. To reduce the sound, open the driver's or front passenger's window, or narrow the rear window opening.*

**Mirrors****Inside Rearview Mirror**

65D410



65D409

You can adjust the inside rearview mirror by hand so as to see the rear of your vehicle in the mirror. To adjust the mirror, set the selector tab (1) to the day position, then move the mirror up, down or sideways by hand to obtain the best view.

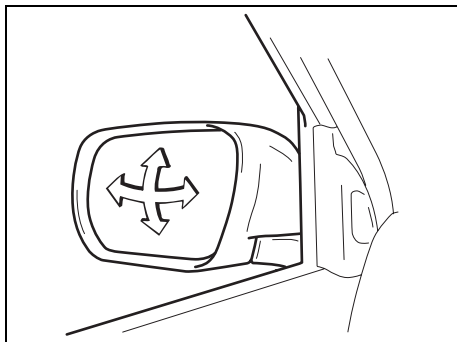
When driving at night, you can move the selector tab to the night position to reduce glare from the headlights of vehicles behind you.

**⚠ WARNING**

- Always adjust the mirror with the selector set to the day position.
- Only use the night position if it is necessary to reduce glare from the headlights of vehicles behind you. Be aware that in this position you may not be able to see some objects that could be seen in the day position.

## BEFORE DRIVING

### Outside Rearview Mirrors



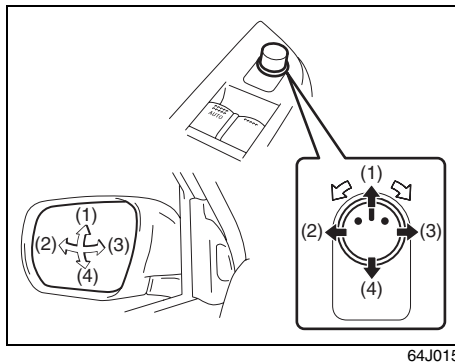
Adjust the outside rearview mirrors so you can just see the side of your vehicle in the mirrors.

The passenger's side mirror is a convex (curved surface) mirror. Objects seen in this mirror will look smaller and appear farther away than when seen in a flat mirror.

#### **⚠ WARNING**

**Be careful when judging the size or distance of a vehicle or other object seen in the side convex mirror. Be aware that objects look smaller and appear farther away than when seen in a flat mirror.**

### Power Mirror Control (if equipped)



The switch to control the power rearview mirrors is located on the driver's door panel. You can adjust the mirrors when the ignition switch is in the "ACC" or "ON" position. To adjust the mirrors:

- 1) Move the selector switch to the left or right to select the mirror you wish to adjust.
- 2) Press the outer part of the switch that corresponds to the direction in which you wish to move the mirror.
- 3) Return the selector switch to the center position to help prevent unintended adjustment.

### Seat Adjustment

#### **⚠ WARNING**

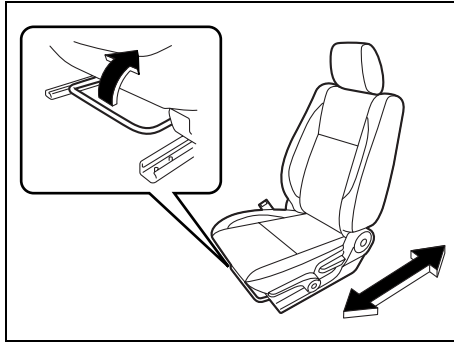
**Never attempt to adjust the driver's seat or seatback while driving. The seat or seatback could move unexpectedly, causing loss of control. Make sure that the driver's seat and seatback are properly adjusted before you start driving.**

#### **⚠ WARNING**

**To avoid excessive seat belt slack, which reduces the effectiveness of the seat belts as a safety device, make sure that the seats are adjusted before the seat belts are fastened.**

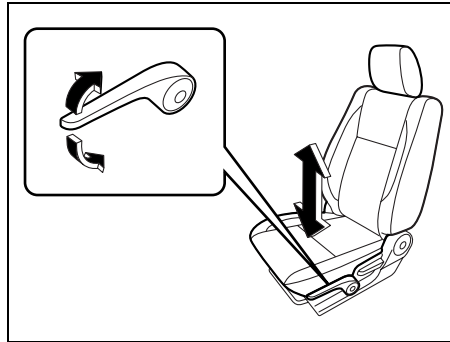
## Adjusting Seat Position

### Front seat



64J016

The adjustment lever for each front seat is located under the front of the seat. To adjust the seat position, pull up on the adjustment lever and slide the seat forward or rearward. After adjustment, try to move the seat forward and rearward to ensure that it is securely latched.



64J017

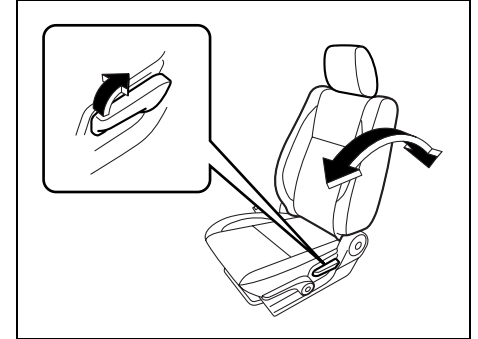
If the driver's seat is equipped with a seat height adjuster lever on the outboard side of the seat, raise or lower the seat by pulling up or down the adjuster lever.

## Adjusting Seatbacks

### ⚠ WARNING

All seatbacks should always be in an upright position when driving, or seat belt effectiveness may be reduced. Seat belts are designed to offer maximum protection when seatbacks are in the upright position.

### Front seat

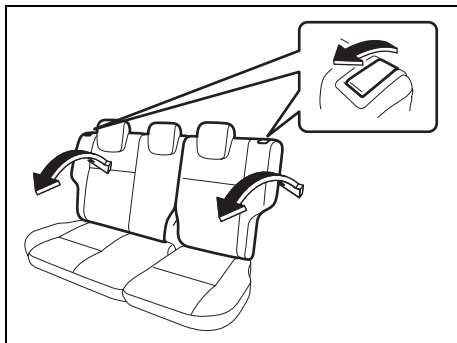


64J018

To adjust the seatback angle of front seat, pull up the lever on the outboard side of the seat, move the seatback to the desired position, and release the lever to lock the seatback in place.

## BEFORE DRIVING

### Rear seat

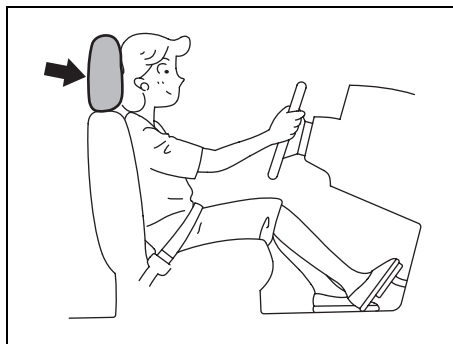


64J019

To adjust the seatback angle of the rear seats:

- 1) Pull up the lever on the top of a split folding seat.
- 2) Move the seatback to one of the lock positions. The number of the lock positions depends on the vehicle specification.
- 3) Release the lever to lock the seatback in position. After adjustment, try moving the seatback to make sure it is securely locked.

### Head Restraints



63J256

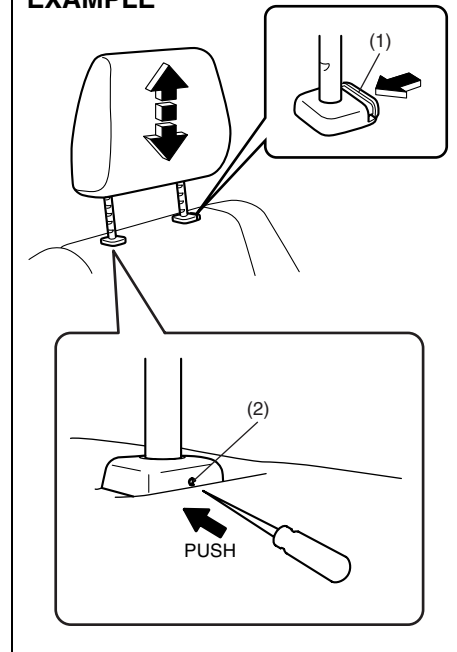
Head restraints are designed to help reduce the risk of neck injuries in case of an accident. Adjust the head restraint to the position which places the center of the head restraint closest to the top of your ears. If this is not possible for very tall passengers, adjust the head restraint as high as possible.

#### **⚠ WARNING**

- **Never drive the vehicle with the head restraints removed.**
- **Do not attempt to adjust the head restraint while driving.**

### Front

#### EXAMPLE



66J150

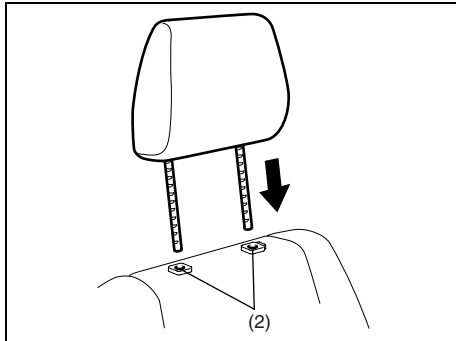
To raise the head restraint, pull upward on the restraint until it clicks. To lower the restraint, push down on the restraint while holding in the release knob (1). If a head restraint must be removed (for cleaning, replacement, etc.), use the following procedure.



- 1) Insert a sharp-pointed tool into the small hole (2). Push the tip into the hole (2) and hold it while pushing in the release knob (1).
- 2) Pull the head restraint all the way out while pushing the release knob (1) and holding the tip in the hole (2).

**NOTE:**

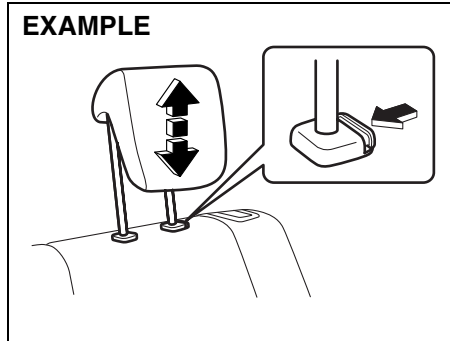
*It may be necessary to recline the seat-back to provide enough overhead clearance to remove the head restraint.*



66J161

To reinstall the head restraint, insert the head restraint bars into the holes (2) and push the head restraint down.

**Rear**

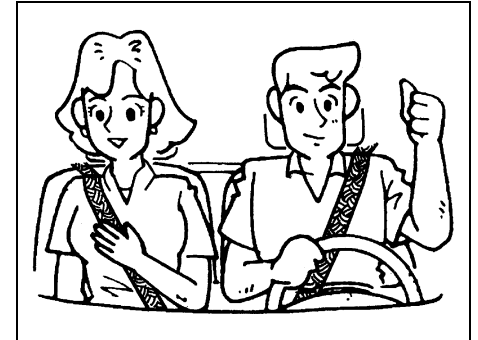


64J023

To raise the rear head restraint, pull upward on the restraint until it clicks. To lower the restraint, push down on the restraint while holding in the release knob. If a head restraint must be removed (for cleaning, replacement, etc.), push in the release knob and pull the head restraint all the way out.

When installing a child restraint system, raise the head restraint to the most upper position.

## Seat Belts and Child Restraint Systems

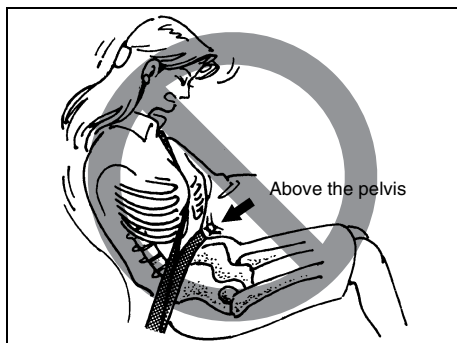


65D231S

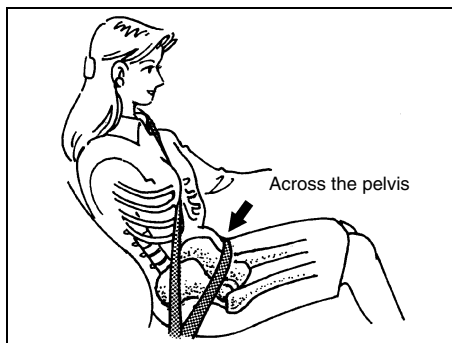
**⚠ WARNING**

**An air bag supplements, or adds to, the frontal crash protection offered by seat belts. The driver and all passengers must be properly restrained by wearing seat belts at all times, whether or not an air bag is mounted at their seating position, to minimize the risk of severe injury or death in the event of a crash.**

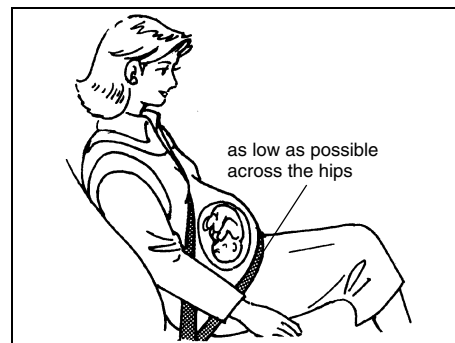
## BEFORE DRIVING



65D606



65D201



65D199

### ⚠ WARNING

- Never allow persons to ride in the cargo area of a vehicle. In the event of an accident, there is a much greater risk of injury for persons who are not riding in a seat with their seat belt securely fastened.
- Seat belts should always be adjusted as follows:
  - the lap portion of the belt should be worn low across the pelvis, not across the waist.
  - the shoulder straps should be worn on the outside shoulder only, and never under the arm.
  - the shoulder straps should be away from your face and neck, but not falling off your shoulder.

(Continued)

### ⚠ WARNING

(Continued)

- Seat belts should never be worn with the straps twisted and should be adjusted as tightly as is comfortable to provide the protection for which they have been designed. A slack belt will provide less protection than one which is snug.

(Continued)

### ⚠ WARNING

(Continued)

- Pregnant women should use seat belts, although specific recommendations about driving should be made by the woman's medical advisor. Remember that the lap portion of the belt should be worn as low as possible across the hips, as shown in the diagram.
- Make sure that each seat belt buckle is inserted into the proper buckle catch. It is possible to cross the buckles in the rear seat.

(Continued)

**⚠ WARNING**

(Continued)

- Do not wear your seat belt over hard or breakable objects in your pockets or on your clothing. If an accident occurs, objects such as glasses, pens, etc. under the seat belt can cause injury.
- Never use the same seat belt on more than one occupant and never attach a seat belt over an infant or child being held on an occupant's lap. Such seat belt use could cause serious injury in the event of an accident.
- Periodically inspect seat belt assemblies for excessive wear and damage. Seat belts should be replaced if webbing becomes frayed, contaminated, or damaged in any way. It is essential to replace the entire seat belt assembly after it has been worn in a severe impact, even if damage to the assembly is not obvious.
- Children age 12 and under should ride properly restrained in the rear seat, if equipped.

(Continued)

**⚠ WARNING**

(Continued)

- Infants and small children should never be transported unless they are properly restrained. Restraint systems for infants and small children can be purchased commercially and should be used. Make sure that the system you purchase meets Federal Motor Vehicle Safety Standards. Read and follow all the directions provided by the manufacturer.
- Avoid contamination of seat belt webbing by polishes, oils, chemicals and particularly battery acid. Cleaning may safely be carried out using mild soap and water.
- For children, if the shoulder belt irritates the neck or face, move the child closer to the center of the vehicle.
- All seatbacks should always be in an upright position when driving, or seat belt effectiveness may be reduced. Seat belts are designed to offer maximum protection when seatbacks are in the upright position.

**Lap-Shoulder Belt****Emergency Locking Retractor (ELR)**

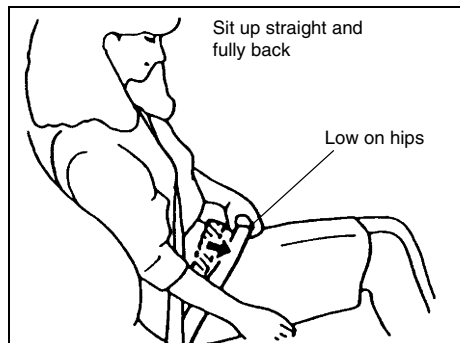
The lap-shoulder seat belt has an emergency locking retractor (ELR), which is designed to lock the seat belt only during a sudden stop or impact. It also may lock if you pull the belt across your body very quickly. If this happens, let the belt go back to unlock it, then pull the belt across your body more slowly.

**Automatic Locking Retractor (ALR)**

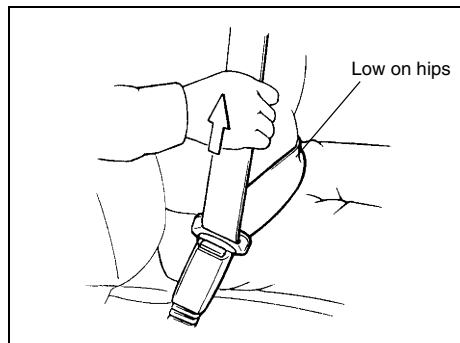
The front passenger's seat belt and the rear seat belts have emergency locking retractors (ELRs) that can be temporarily converted to function as automatic locking retractors (ALRs). The ALR mode should be used if you need to secure a child restraint system in the seat. Refer to the "Child Restraint Systems" section for details.

## BEFORE DRIVING

### Safety reminder



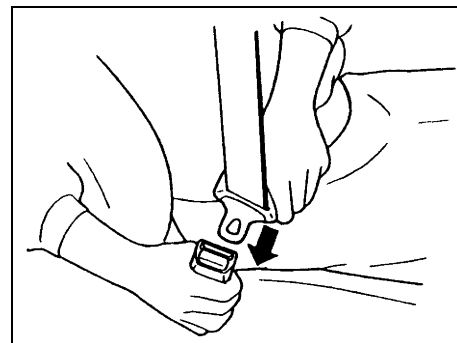
60A038



60A040

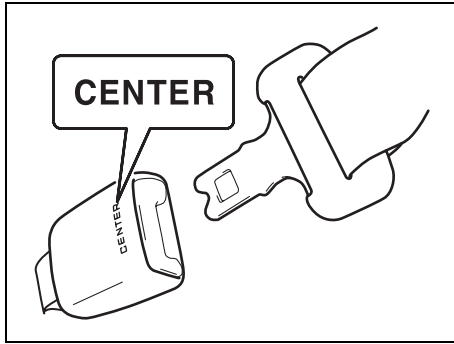
To reduce the risk of sliding under the belt during a collision, position the lap portion of the belt across your lap as low on your hips as possible and adjust it to a snug fit

by pulling the shoulder portion of the belt upward through the latch plate. The length of the diagonal shoulder strap adjusts itself to allow freedom of movement.



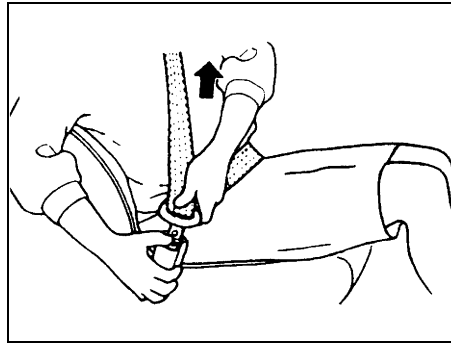
60A036

To fasten the seat belt, sit up straight and well back in the seat, pull the latch plate attached to the seat belt across your body and press it into the buckle until you hear a “click”.



52D249

**NOTE:**  
The word "CENTER" is molded into the buckle for the rear seat center belt. The buckles are designed so a latch plate can not be inserted into the wrong buckle.

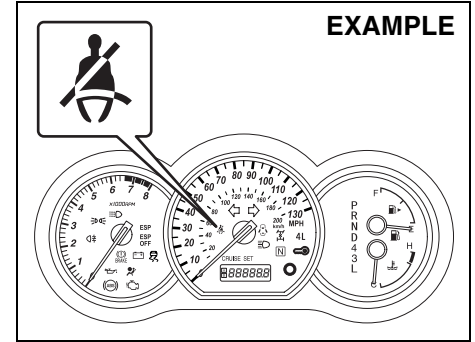


60A039

To unfasten the belt, push the red "PRESS" button on the buckle and allow the belt to retract.

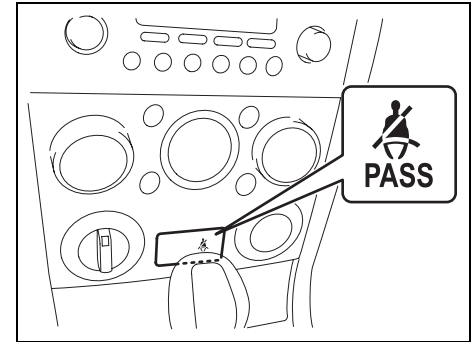
## Seat Belt Reminder

### Driver's seat belt reminder light



66J019

### Front passenger's seat belt reminder light



66J243

## BEFORE DRIVING

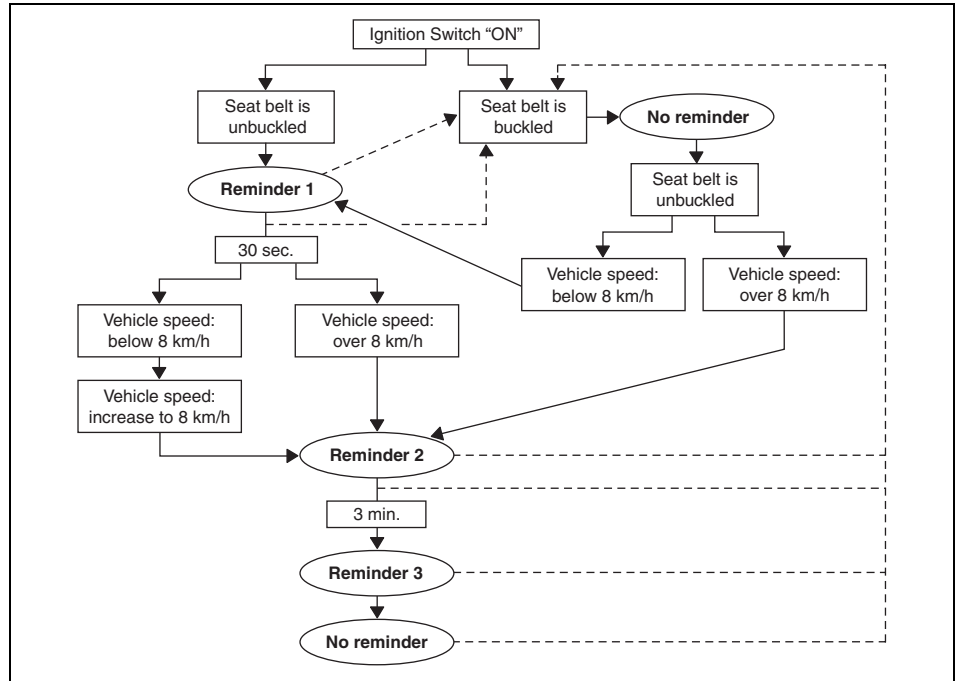
When the driver and front passenger don't buckle their seat belts, the driver's seat belt reminder light in the instrument cluster and the front passenger's seat belt reminder light in the center of the instrument panel will come on and a buzzer will sound as a reminder to the driver and front passenger to buckle their seat belts.

### ⚠ WARNING

**It is absolutely essential that the driver and passengers wear their seat belts at all times. Persons who are not wearing seat belts have a much greater risk of injury if an accident occurs. Make a regular habit of buckling your seat belt before putting the key in the ignition.**

The seat belt reminder functions as shown in the figure below. There are some differences between the driver's seat belt reminder and the front passenger's seat belt reminder. For more details, refer to the explanation below.

### Flow chart



52D219

### Reminder 1 – 3

For each reminder 1 – 3, the reminder light comes on for about 20 seconds, then blinks for about 55 seconds. When the reminder light first comes on, a buzzer sounds intermittently for about 6 seconds.

**Driver's seat belt reminder**

If the driver's seat belt remains unbuckled with the ignition key in the "ON" position, the driver's seat belt reminder works as follows:

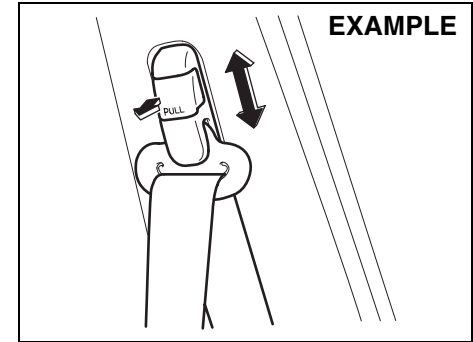
- 1) The driver's seat belt reminder light will come on for about 20 seconds when the ignition key is turned to the "ON" position then will blink for about 55 seconds. When the light comes on, a buzzer will also sound intermittently for about 6 seconds (Reminder 1).
- 2) If the vehicle is driven (vehicle speed > 8 km/h), Reminder 2 will operate about 30 seconds after Reminder 1 has finished.  
If the vehicle is not driven (vehicle speed < 8 km/h), Reminder 2 will operate when driving starts (vehicle speed > 8 km/h).
- 3) Reminder 3 will operate about 3 minutes after Reminder 2 has finished.
- 4) Even if the driver's seat belt remains unbuckled after Reminder 3, there will be no further reminders.

If the driver has buckled his or her seat belt and later unbuckles the seat belt, the reminder system will be activated from Reminder 1 or Reminder 2 according to the vehicle speed. (Refer to the flow chart.)

The driver's seat belt reminder will be automatically canceled when the driver's seat belt is buckled or the ignition switch is turned off.

**Front passenger's seat belt reminder**

The front passenger's seat belt reminder will activate only when there is a passenger sitting in the front seat. In some situations, however, such as when you place heavy objects in the front seat, the seat belt reminder can be activated as if there were a passenger present. The front passenger's seat belt reminder works in the same manner as the driver's seat belt reminder, except that it is not activated until 10 seconds after the ignition switch is turned to the "ON" position.

**Shoulder anchor height adjuster (if equipped)**

64J198

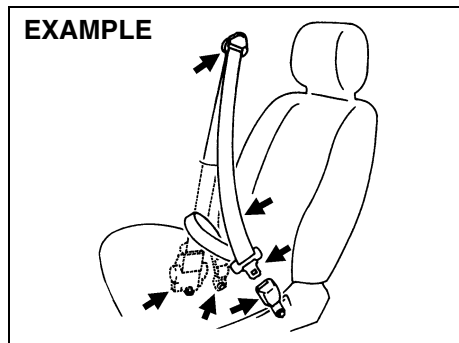
Adjust the shoulder anchor height so that the shoulder belt rides on the center of the outside shoulder. To adjust the shoulder anchor height, slide the anchor up simply or slide the anchor down while pulling the lock knob out. After adjustment, make sure that the anchor is securely locked.

**⚠ WARNING**

**Be sure that the shoulder belt is positioned on the center of the outside shoulder. The belt should be away from your face and neck, but not falling off your shoulder. Misadjustment of the belt could reduce the effectiveness of the safety belt in a crash.**

## BEFORE DRIVING

### Seat Belt Inspection

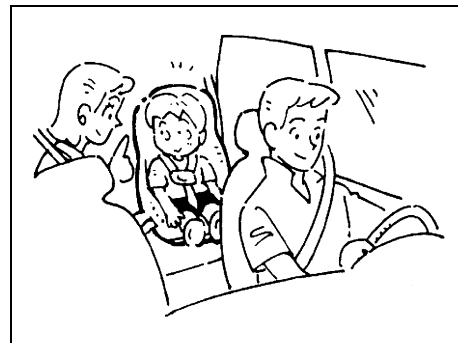


Periodically inspect the seat belts to make sure they work properly and are not damaged. Check the webbing, buckles, latch plates, retractors, anchorages and guide loops. Replace any seat belts which do not work properly or are damaged.

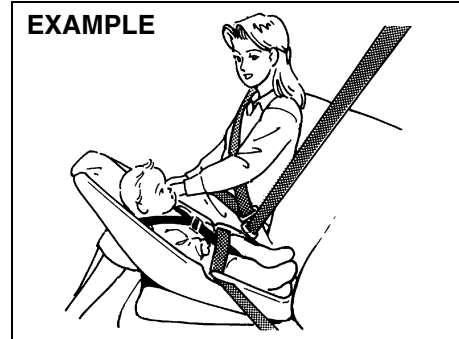
### **⚠ WARNING**

Be sure to inspect all seat belt assemblies after any collision. Any seat belt assembly which was in use during a collision (other than a very minor one) should be replaced, even if damage to the assembly is not obvious. Any seat belt assembly which was not in use during a collision should be replaced if it does not function properly, it is damaged in any way or the seat belt pretensioners were activated (that is, if the front air bags were activated).

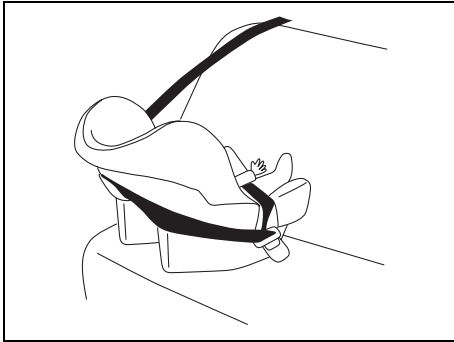
### Child Restraint Systems



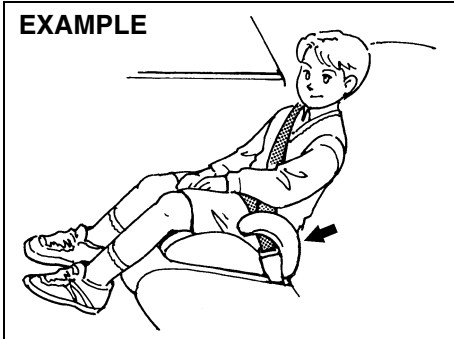
#### Infant restraint - rear seat only





**Infant restraint - rear seat only**

65D584

**Booster seat****EXAMPLE**

65D203

SUZUKI highly recommends that you use a child restraint system to restrain infants and small children. Many different types of child restraint systems are available; make sure that the restraint system you select meets Federal Motor Vehicle Safety Standards.

All child restraint systems are designed to be secured in vehicle seats by either seat belts (lap belts or the lap portion of lap-shoulder belts) or by special rigid lower anchor bars built into the seats. Whenever possible, SUZUKI recommends that child restraint systems be installed on the rear seat. According to accident statistics, children are safer when properly restrained in rear seating positions than in front seating positions.

If you must use a front-facing child restraint in the front passenger's seat, be sure to move the front passenger's seat as far back as possible.

**⚠ WARNING**

Children could be endangered in a crash if their child restraints are not properly secured in the vehicle. When installing a child restraint system, be sure to follow the instructions below. Be sure to secure the child in the restraint system according to the manufacturer's instructions.

**⚠ WARNING**

In an accident or sudden stop, the rear seat armrest (if equipped) could fall forward. If there is a child in a rear-facing child restraint in the center seating position, the falling armrest could injure the child. Make sure the armrest is back in the seat and locked when not in use.



65D607

### WARNING

Do not install a rear-facing child restraint in the front passenger's seat. If the passenger's air bag inflates, a child in a rear-facing child restraint could be seriously injured. The back of a rear-facing child restraint would be too close to the inflating air bag.



65D608



65D609

## Installation with Lap-Shoulder Seat Belts (Child Restraint with No Top Strap)

### NOTE:

There are two types of lap-shoulder belts depending on the vehicle's specification, A-ELR (Automatic-Emergency Locking Retractor) type and ELR (Emergency Locking Retractor) type.

The A-ELR type belts have emergency locking retractors (ELRs) that can be temporarily converted to function as automatic locking retractors (ALRs).

The ELR type belts have ELRs that can **not** be converted to function as ALRs.

To identify the belt is the A-ELR type or the ELR type, slowly pull all of the shoulder webbing out of the retractor. Then let the webbing retract a little and pull it out, and repeat this a few times. If the belt is locked each time you pull the belt, the belt is the A-ELR type. If the belt is not locked, the belt is the ELR type.

Mostly, rear outboard lap-shoulder belts are the A-ELR type.

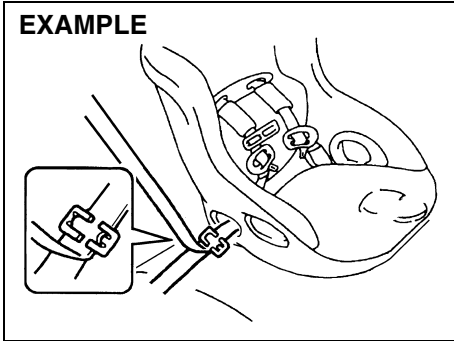
Please note that the methods to secure the child restraint system with the ELR lap-shoulder belt and with the A-ELR lap-shoulder belt are different.

**CAUTION**

Before installing a child restraint system in the rear seat, raise the head restraint to the most upper position.

**ELR type belt**

**EXAMPLE**



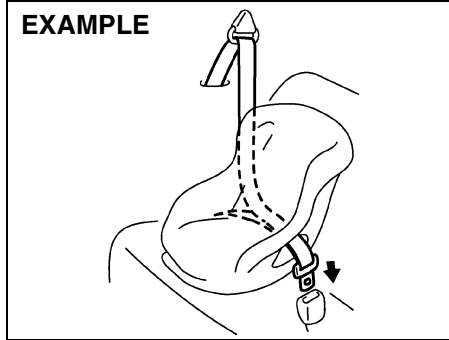
Install your child restraint system according to the instructions provided by the child restraint system manufacturer.

Make sure that the seat belt is securely latched.

Try to move the child restraint system in all directions, to make sure it is securely installed.

**A-ELR type belt**

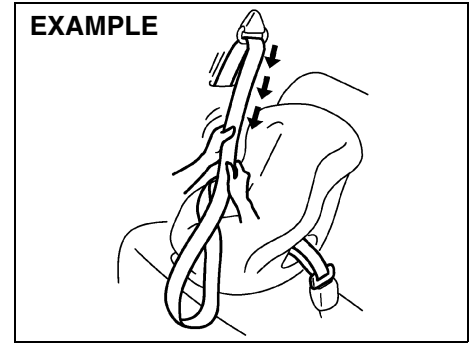
**EXAMPLE**



Install your child restraint system according to the instructions provided by the child restraint system manufacturer. If you install the child restraint system in the front seat, be sure to slide the seat to the rearmost position. After making sure that the seat belt is securely latched:

**A-ELR type**

**EXAMPLE**

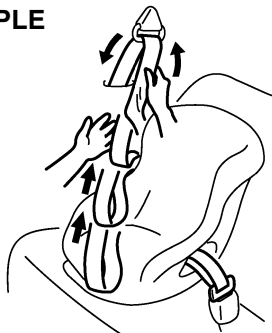


- 1) Pull all of the remaining webbing out of the retractor. You will hear a click, which means that the emergency locking retractor (ELR) has converted to function as an automatic locking retractor (ALR).

## BEFORE DRIVING

### A-ELR type

#### EXAMPLE

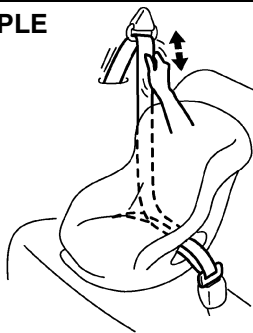


83E032

- 2) Allow the extra webbing to retract, and pull the webbing toward the retractor to take up any slack. Make sure that the lap portion of the belt is tight around the child restraint system and the shoulder portion of the belt is positioned so that it can not interfere with the child's head or neck.

### A-ELR type

#### EXAMPLE



83E036

- 3) Make sure that the retractor has converted to the ALR mode by trying to pull webbing out of the retractor. If the retractor is in the ALR mode, the belt will be locked.

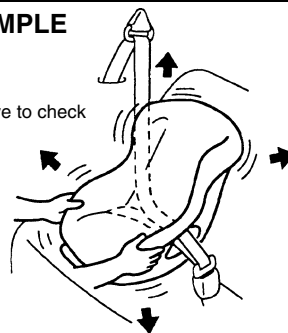
#### **WARNING**

**If the retractor is not in the ALR mode, the child restraint system can move or tip over when your vehicle turns or stops abruptly.**

### A-ELR type

#### EXAMPLE

Move to check

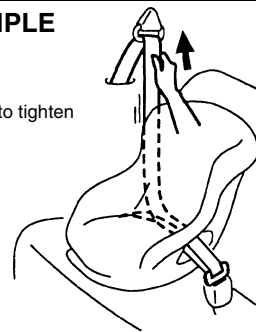


65D234

### A-ELR type

#### EXAMPLE

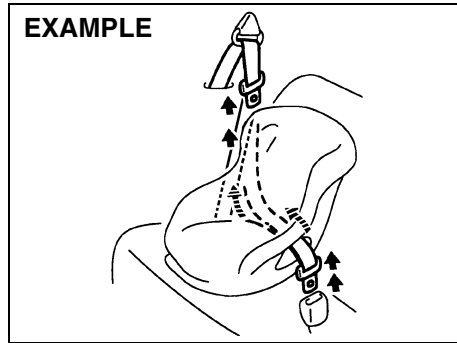
Pull to tighten



65D235

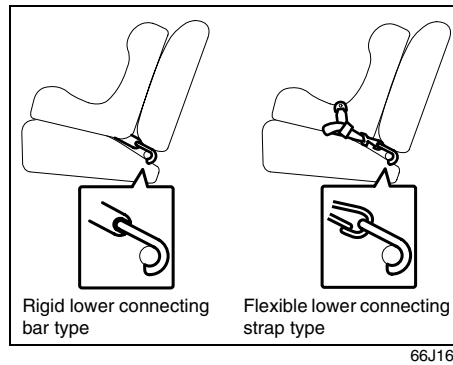
- 4) Try moving the child restraint system in all directions, to make sure it is securely installed. If you need to tighten the belt, pull more webbing toward the retractor.

**To revert from ALR to ELR**



When you unbuckle the seat belt and allow it to retract to a certain length, the retractor will automatically revert back to the normal ELR mode.

**Installation with the LATCH System**



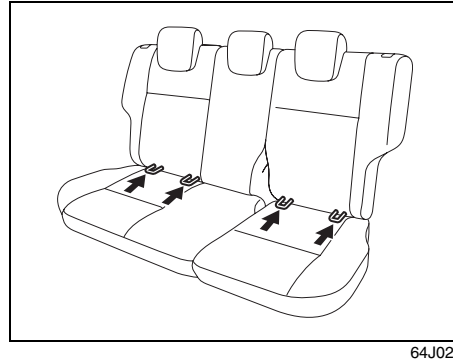
and Tethers for Children.) The anchors are located where the rear of the seat cushion meets the bottom of the seatback.

Install a LATCH-type child restraint system according to the instructions provided by the child restraint system manufacturer. After installing the child restraint system, try moving it in all directions, especially forward, to make sure the flexible straps or rigid connecting bars are securely latched to the anchors.

**NOTE:**

*Although there are three second row seating positions, you cannot install three LATCH type child restraints in the rear seat. You can install one or two LATCH restraint(s). Be sure to install the LATCH type child restraint(s) in the outboard seating positions.*

**Rear seat**



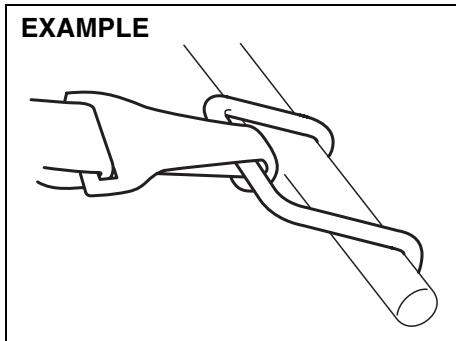
If your LATCH restraint has flexible lower connecting straps, these general instructions apply:

- 1) If possible, fold the seatback rearward for easier installation.
- 2) Place the child restraint in the rear seat.

Your vehicle is equipped with lower anchors for securing up to two standard LATCH-type child restraints in the rear seats. (LATCH stands for Lower Anchors

## BEFORE DRIVING

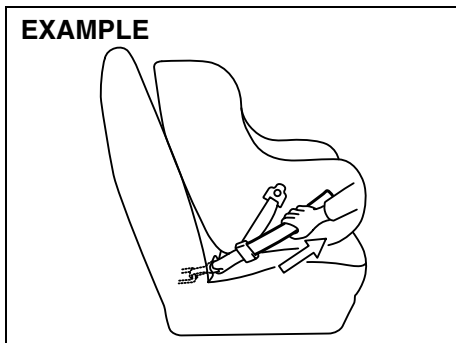
### EXAMPLE



65D340

- 3) Snap the strap hooks to the anchors. Take care not to pinch your fingers.

### EXAMPLE

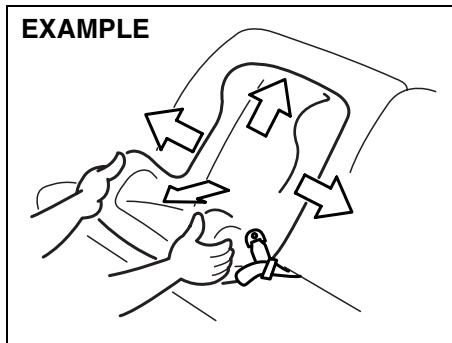


65D341

- 4) Return the seatback to the normal, upright position. Tighten the lower straps as described in the child restraint

owner's manual. Attach the top tether strap, if applicable.

### EXAMPLE



65D342

- 5) Make sure the child restraint is securely fastened by trying to move the child restraint system in all directions, especially forward.

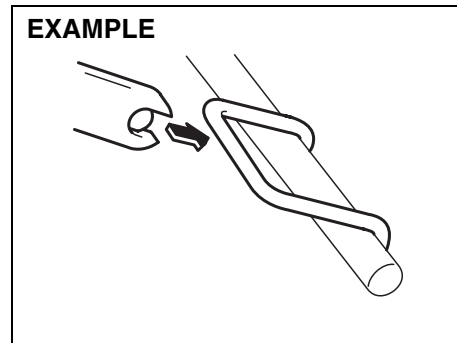
### ⚠ WARNING

**The seatback should always be securely latched in a fairly upright position when any type of child seat is installed. An unlatched or reclined seatback will reduce the intended effectiveness of the child restraint system.**

If your LATCH restraint has rigid lower connecting bars, these general instructions apply:

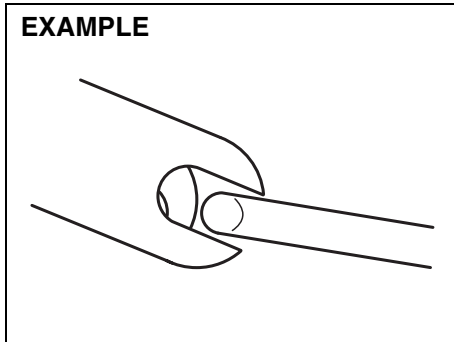
- 1) If possible, fold the seatback rearward for easier installation.
- 2) Place the child restraint in the rear seat, inserting the connecting bars through the slots in the seat cushion or the slots in the seatback bottom.

### EXAMPLE



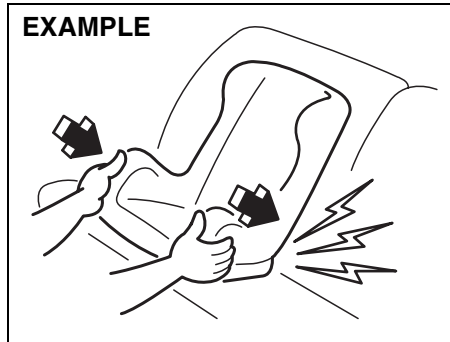
54G183

- 3) Use your hands to carefully align the connecting bar tips with the anchors. Take care not to pinch your fingers.



54G184

- 4) Push the child restraint toward the anchors so that the connecting bar tips are partially hooked to the anchors. Use your hands to confirm the position.



54G185

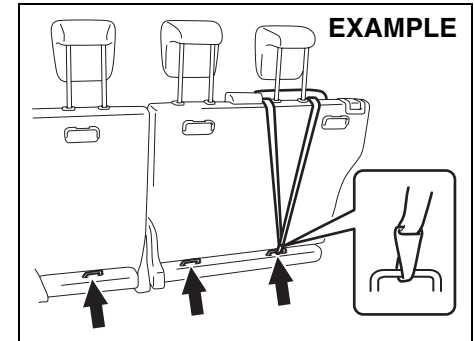
- 5) Grasp the front of the child restraint and push the child restraint forcefully to latch the connecting bars. Make sure they are securely latched by trying to move the child restraint system in all directions, especially forward.
- 6) Return the seatback if folded. Attach the top tether strap, if applicable.

**⚠ WARNING**

**The seatback should always be securely latched in a fairly upright position when any type of child seat is installed. An unlatched or reclined seatback will reduce the intended effectiveness of the child restraint system.**

## Installation-Child Restraint with Top Strap

### Rear seat



64J029

Some child restraint systems require the use of a top strap. Top strap anchor brackets are located on the back of the rear seat as shown in the illustration. Install the child restraint system as follows:

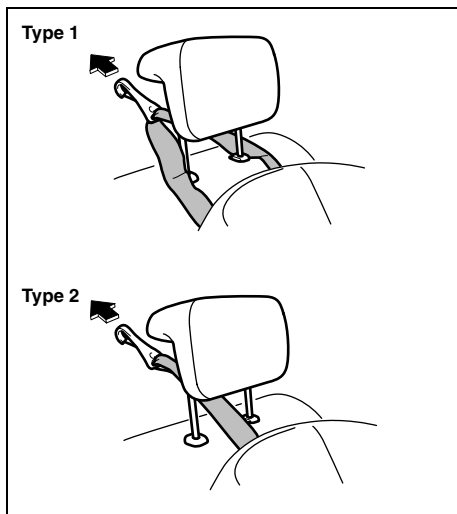
- 1) Remove the luggage compartment cover.
- 2) Secure the child restraint on the rear seat using the procedure described above for securing a restraint system that does not require a top strap.
- 3) Hook the top strap to the anchor bracket and tighten the top strap according to the instructions provided by the child restraint system manufacturer. Be sure to attach the top strap to the corresponding anchor located directly behind the child restraint. Do

## BEFORE DRIVING

not attach the top strap to the luggage restraint loops (if equipped).

### ⚠ WARNING

**Do not attach the child restraint top strap to the luggage restraint loops (if equipped). Incorrectly attached top strap will reduce the intended effectiveness of the child restraint system.**

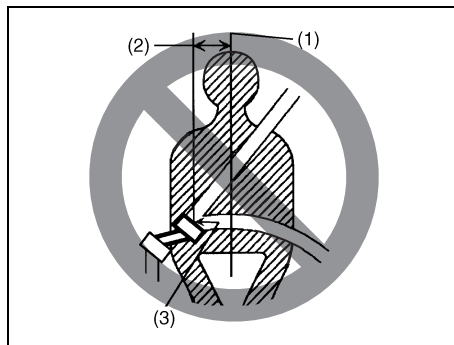


4) When routing the top strap, be sure to pass it between the head restraint and the rear seatback as shown. (Refer to “Head Restraints” section for details on

how to raise or lower the head restraint.)

5) Make sure that cargo does not interfere with routing of the top strap.

### Seat Belt Extender



- (1) Center of body
- (2) Less than 152 mm (6 inches)
- (3) Open end of extender buckle

If a seat belt cannot be fastened securely because it is not long enough, see your authorized SUZUKI dealer for a seat belt extender. Seat belt extenders are available for each seating position except for the rear center position. After inspecting the relationship between the seat belt length, the occupant's body size, and the seat adjustment (the driver's seat should always be adjusted as far back as possible while still maintaining control of the vehicle, and

other adjustable seats should be adjusted as far back as possible), your dealer can select the appropriate seat belt extender.

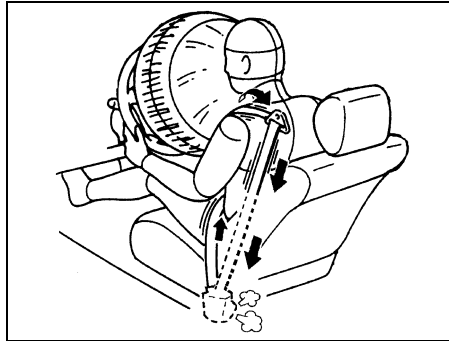
- A seat belt extender should only be used for the person, vehicle and seating location it was provided for.
- When using the extender, ensure that both ends are latched securely. Do not use the extender if the open end of the extender's buckle is within 152 mm (6 inches) of the center of the occupant's body (See diagram). Use of the extender when the buckle is too close to the center of the body could increase the risk of abdominal injury in the event of an accident, and could cause the shoulder belt to be positioned incorrectly.
- Make sure to use the correct buckle corresponding to your seating position.
- Seat belt extenders are not intended for use by pregnant women, and should only be used upon approval by their medical advisors.
- Remove and stow the extender when it is not being used.



**⚠ WARNING**

Failure to follow these instructions may increase the risk of injury in a crash.

- Only use an extender for the person, vehicle and seating position it was provided for.
- Do not use if open end of extender's buckle is within 152 mm (6 inches) of center of occupant's body (See diagram).
- Remove and stow the extender when it is not being used.

**Seat Belt Pretensioner System  
(for front seat belt only)**

52D011

**⚠ WARNING**

This section of the owner's manual describes your SUZUKI's SEAT BELT PRETENSIONER SYSTEM. Please read and follow ALL these instructions carefully to minimize your risk of severe injury or death.

Your vehicle is equipped with a seat belt pretensioner system at the front seating positions. You can use the pretensioner seat belts in the same manner as ordinary seat belts.

The seat belt pretensioner system works with the SUPPLEMENTAL RESTRAINT SYSTEM (advanced air bags). The crash

sensors and the electronic controller of the air bag system also control the seat belt pretensioners. The pretensioners are triggered only when the air bags are triggered and the seat belts are fastened. If the seat belts are not fastened, the respective pretensioner system will not be activated. For precautions and general information including servicing the pretensioner system, refer to the "Supplemental Restraint System (air bags)" section in addition to this "Seat Belt Pretensioner System" section, and follow all those precautions.

The pretensioner is located in each front seat belt retractor. The pretensioner tightens the seat belt so the belt fits the occupant's body more snugly in the event of a frontal crash. The retractors will remain locked after the pretensioners are activated. Upon activation, some noise will occur and some smoke may be released. These conditions are not harmful and do not indicate a fire in the vehicle.

The driver and all passengers must be properly restrained by wearing seat belts at all times, whether or not a pretensioner is equipped at their seating position, to minimize the risk of severe injury or death in the event of a crash. Sit fully back in the seat; sit up straight; do not lean forward or sideways. Adjust the belt so the lap portion of the belt is worn low across the pelvis, not across the waist. Please refer to the "Seat Adjustment" section and the instructions and precautions about the seat belts

## BEFORE DRIVING

in this “Seat Belts and Child Restraint Systems” section for details on proper seat and seat belt adjustments.

Please note that the pretensioners along with the front air bags will activate only in severe frontal collisions. They are not designed to activate in rear impacts, side impacts, rollovers or minor frontal collisions. The pretensioners can be activated only once. If the pretensioners are activated (that is, if the front air bags are activated), have the pretensioner system serviced by an authorized SUZUKI dealer as soon as possible.

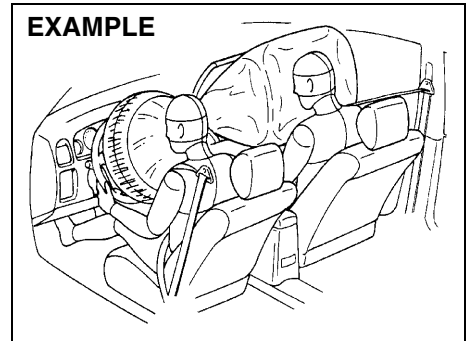
If the “AIR BAG” light on the instrument cluster does not blink or come on briefly when the ignition switch is turned to the “ON” position, stays on for more than 10 seconds, or comes on while driving, the pretensioner system or the air bag system may not work properly. Have both systems inspected by an authorized SUZUKI dealer as soon as possible.

Service on or around the pretensioner system components or wiring must be performed only by an authorized SUZUKI dealer who is specially trained. Improper service could result in unintended activation of pretensioners or could render the pretensioner inoperative. Either of these two conditions may result in personal injury.

To prevent damage or unintended activation of the pretensioners, be sure the bat-

tery is disconnected and the ignition switch has been in the “LOCK” position for at least 90 seconds before performing any electrical service work on your SUZUKI. Do not touch pretensioner system components or wiring. The wires are wrapped with yellow tape or yellow tubing, and the couplers are yellow. When scrapping your SUZUKI, ask your SUZUKI dealer, body repair shop or scrap yard for assistance.

## Supplemental Restraint System (air bags)

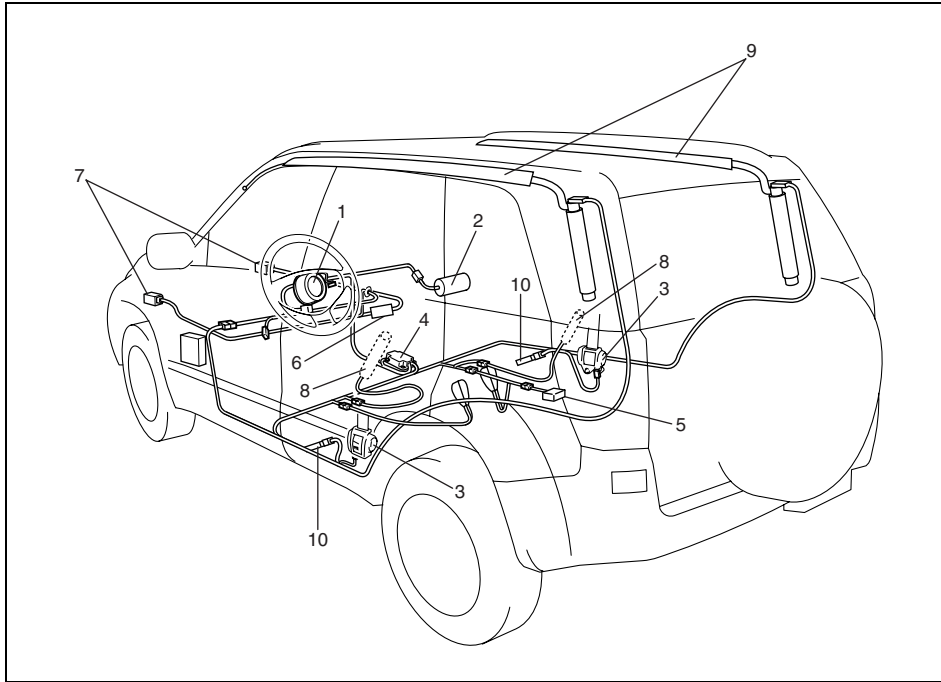


54G022

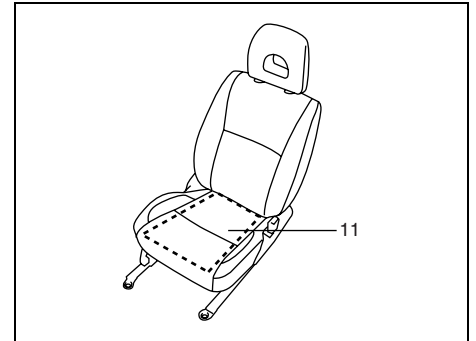
### **▲ WARNING**

**This section of the owner's manual describes the protection provided by your SUZUKI's SUPPLEMENTAL RESTRAINT SYSTEM (air bags). Please read and follow ALL these instructions carefully to minimize your risk of severe injury or death in the event of a collision.**

Your vehicle has advanced front air bags and side air bags for the driver and right front passenger. Your vehicle also has side curtain air bags.



66J126



66J132

Your vehicle is equipped with a Supplemental Restraint System consisting of the following components in addition to a lap-shoulder belt at each front seating position.

1. Driver's front air bag
2. Front passenger's front air bag
3. Seat belt pretensioners
4. Air bag controller
5. Occupant classification module
6. "PASS AIR BAG OFF" indicator
7. Forward crash sensor
8. Side air bags
9. Side curtain air bags
10. Side crash sensor
11. Front passenger's sensor mat

## BEFORE DRIVING

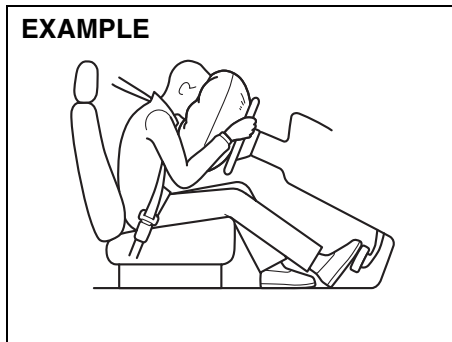


63J030

If the "AIR BAG" light on the instrument cluster does not blink when the ignition switch is first turned to the "ON" position, or the "AIR BAG" light stays on, or comes on while driving, the air bag system (or the seat belt pretensioner system) may not work properly. Have the air bag system inspected by an authorized SUZUKI dealer as soon as possible.

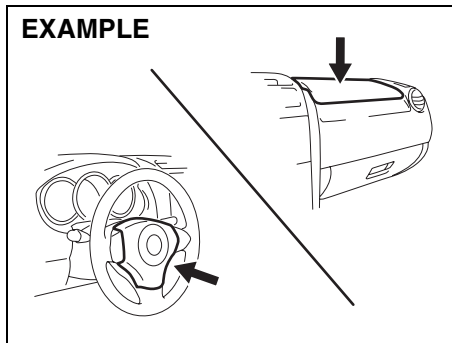
### Front Air Bags

#### EXAMPLE



63J259

#### EXAMPLE

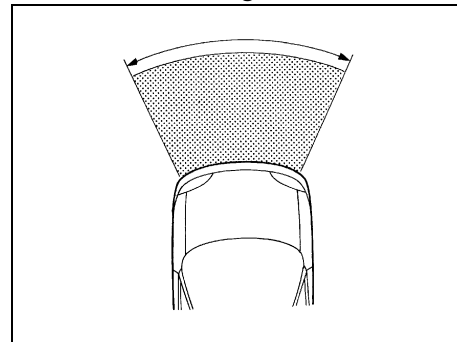


64J032

The driver's front air bag is located behind the center pad of the steering wheel. The words "SRS AIRBAG" are molded into the air bag cover to identify the location of the

air bag. The front passenger's front air bag is located behind the passenger's side of the dashboard. The words "SRS AIRBAG" are molded into the air bag cover to identify the location of the air bag.

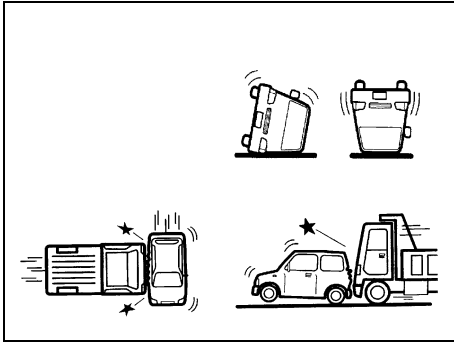
### Frontal collision range



60G032

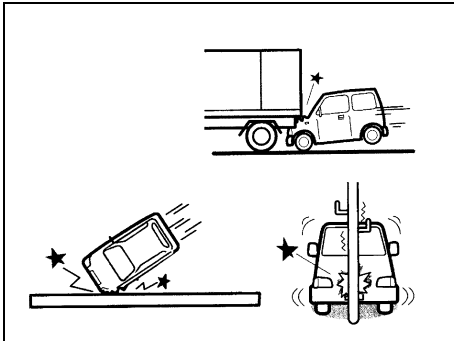
Front air bags are designed to inflate only in severe frontal collisions.

**Front air bags will not inflate**



65D236

**Front air bags will probably not inflate**



65D237

They are not designed to inflate in rear impacts, side impacts, rollovers or minor frontal collisions, since they would offer no protection in those types of accidents. Remember, since air bags deploy only one time during an accident, seat belts are needed to restrain occupants from further movements during the accident.

Therefore, an air bag is NOT a substitute for seat belts. To maximize your protection, ALWAYS WEAR YOUR SEAT BELTS. Be aware that no system can prevent all possible injuries that may occur in an accident.

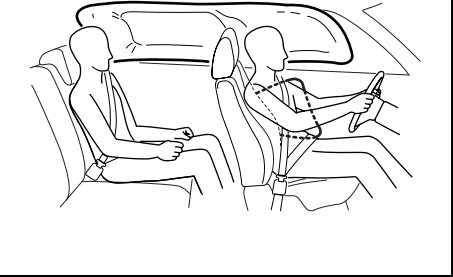
**⚠ WARNING**

**An air bag supplements, or adds to, the crash protection offered by seat belts. The driver and all passengers must be properly restrained by wearing seat belts at all times, whether or not air bags are mounted at their seating position, to minimize the risk of severe injury or death in the event of a crash.**

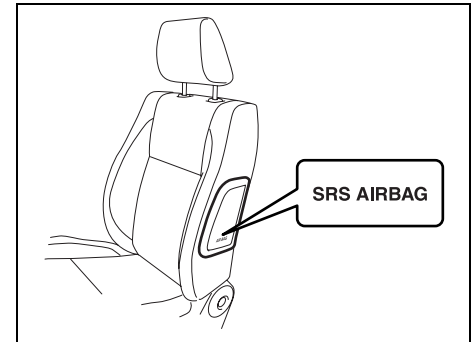
Your vehicle has “dual stage” front air bags, which adjust the air bag inflation force according to crash severity. Also, your vehicle has a front passenger sensing system, which turns off the front passenger’s air bag and seat belt pretensioner under certain conditions.

**Side Air Bags and Side Curtain Air Bags**

**EXAMPLE**



62J114

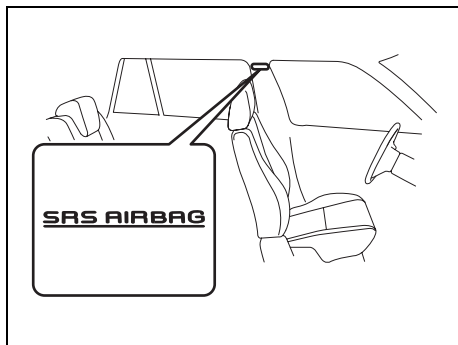


64J033

Side air bags are located in the part of the front seatbacks closest to the doors. The words “SRS AIRBAG” are molded into the

## BEFORE DRIVING

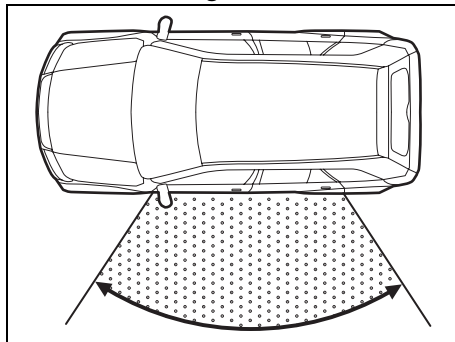
side air bag cover to identify the location of the side air bags.



64J034

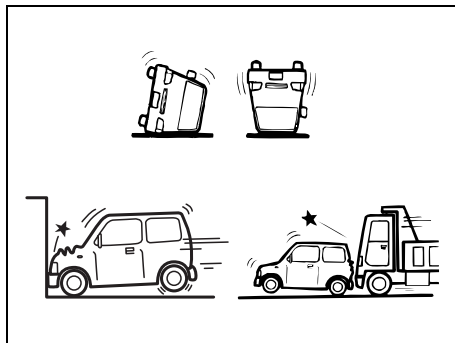
Side curtain air bags are located in the roof lining. The words "SRS AIRBAG" are molded into the pillar to identify the location of the side curtain air bags.

### Side collision range



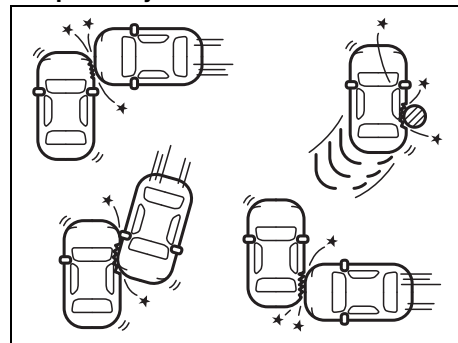
64J036

### Side air bags and side curtain air bags will not inflate



54G027

### Side air bags and side curtain air bags will probably not inflate



54G028

Side air bags and side curtain air bags are designed to inflate only in severe side impact collisions. They are not designed to inflate in frontal or rear collisions, rollovers or minor side collisions, since they would offer no protection in those types of accidents. Only the side air bag and side curtain air bag on the side of the vehicle that is struck will inflate. Remember, since an air bag deploys only one time during an accident, seat belts are needed to restrain occupants from further movements during the accident.

Therefore, an air bag is NOT a substitute for seat belts. To maximize your protection, ALWAYS WEAR YOUR SEAT BELTS. Be aware that no system can prevent all possible injuries that may occur in an accident.

**⚠ WARNING**

An air bag supplements, or adds to, the crash protection offered by seat belts. The driver and all passengers must be properly restrained by wearing seat belts at all times, whether or not air bags are mounted at their seating position, to minimize the risk of severe injury or death in the event of a crash.

**⚠ WARNING**

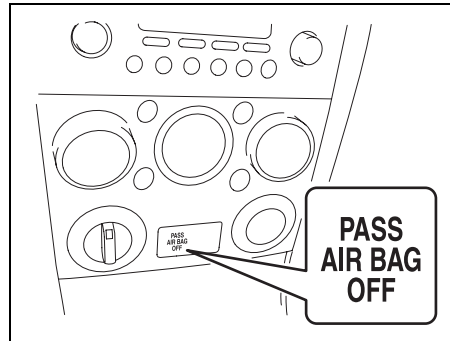
If the “AIR BAG” light in the instrument cluster ever comes on and stays on, it means that something may be wrong with the air bag system. If this ever happens, have the vehicle serviced immediately, because the air bags may not offer the protection for which they were designed.

**Front Passenger Sensing System**

The front passenger sensing system will turn off the front passenger’s front air bag and seat belt pretensioner under certain conditions. This system works using a sensor mat that is part of the front passenger’s seat. The front passenger sensing system is designed to detect whether an occupant is present in the seat and, if an occupant is present, to determine whether the front passenger’s front air bag and seat belt pretensioner should be enabled or disabled (turned off).

**NOTE:**

*The front passenger’s side air bag and the side curtain air bag are not controlled by the front passenger sensing system.*



66J244

When the ignition switch is turned to the “ON” position, the “PASS AIR BAG OFF” indicator comes on for several seconds to

let you know the system is working. When the front passenger sensing system has turned off the front passenger’s front air bag including the seat belt pretensioner, the “PASS AIR BAG OFF” indicator will come on and stay on to remind you that the front passenger’s front air bag is off.

The front passenger sensing system uses front seat pressure measurements and pressure locations to determine whether to activate or deactivate the front passenger’s front air bag. The front passenger sensing system may or may not turn off the front air bag, depending on the front passenger’s seating posture and body build. The air bag should be turned off in the following situations:

- There is no occupant in the front passenger seat.
- The occupant of the front passenger seat lifts his or her weight off of the seat for a period of time.
- The occupant of the front passenger seat is an infant or small child in a child restraint system or a small child in a booster seat.
- A smaller person, such as a child who has outgrown child restraints or a very small adolescent is seated in the front passenger seat.

**NOTE:**

*If the front passenger seat is unoccupied, the “PASS AIR BAG OFF” indicator will not come on but the front passenger’s front air*

## BEFORE DRIVING

*bag will not deploy and the seat belt pretensioner will not operate.*

If you have secured a child in the front passenger seat in a forward-facing child restraint system or booster seat and the “PASS AIR BAG OFF” indicator light is not on, turn the vehicle off, remove the child restraint or booster seat from the vehicle and reinstall it following the child restraint or booster seat manufacturer’s directions. Also refer to “Seat Belts and Child Restraint Systems” in this section. If, after reinstalling the child restraint and restarting the vehicle, the “PASS AIR BAG OFF” indicator is still not lit, check to make sure that the vehicle’s seatback is not pressing the child restraint into the seat cushion. If this happens, slightly recline the vehicle’s seatback and adjust the seat cushion if possible. Also make sure the child restraint is not trapped under the vehicle head restraint. If this happens, adjust the head restraint. If the “PASS AIR BAG OFF” indicator is still not on, secure the child in the child restraint or booster seat in a rear seat position in the vehicle and check with your dealer.



65D607

### **⚠ WARNING**

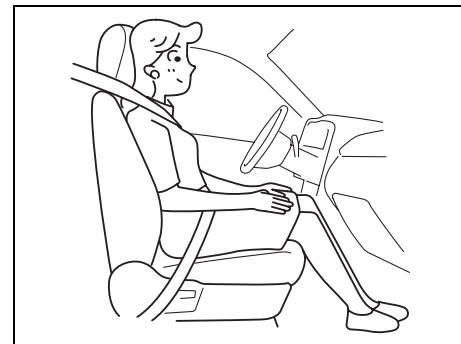
**Do not install a rear-facing child restraint in the front passenger’s seat. If the passenger’s front air bag inflates, a child in a rear-facing child restraint could be seriously injured. The back of a rear-facing child restraint would be too close to the inflating air bag.**

According to accident statistics, children are safer when properly restrained in rear seating positions than in front seating positions. Whenever possible, SUZUKI recommends you install child restraints in the rear seat.

The front passenger sensing system is designed to enable the front passenger’s

front air bag when the system senses a properly-seated adult in the front passenger’s seat. When the passenger sensing system has allowed the air bag to be enabled, the “PASS AIR BAG OFF” indicator will remain off to remind you that the air bag is active.

If a person of adult size is sitting in the front passenger’s seat and the “PASS AIR BAG OFF” indicator comes on, it could be because that person isn’t sitting properly in the seat. If this happens, unfasten the seat belts, sit upright in the center of the seat with the seatback nearly vertical and your legs outstretched, and refasten the seat belt.



52D258

When seated as shown in the above illustration, the front passenger sensing system senses a properly-seated occupant and enables the air bag.



When using a seat belt extender, follow the instructions in the “Seat Belt Extender” section.

**⚠ WARNING**

**Do not place any heavy objects on the front passenger’s seat. The pressure sensors in the sensor mat could be damaged and the front passenger sensing system may not work properly.**

**⚠ WARNING**

**The front passenger sensing system may not work properly in the following situations:**

- **The occupant is sitting near the dashboard or is not sitting in the proper position.**
- **Objects placed under the seat are pushing up on the seat cushion.**

**⚠ WARNING**

**If the “PASS AIR BAG OFF” indicator on the instrument panel turns on even though there is no occupant or an adult occupant in the front passenger’s seat, it means that something may be wrong with the passenger sensing system. Have the system inspected by an authorized SUZUKI dealer as soon as possible.**

**⚠ WARNING**

- **Do not spill any liquids on the seat. Liquids can damage the sensors under the front seat.**
- **Have front passenger’s sensor mat inspected by your dealer after a collision.**
- **Do not replace the front seats. If you replace them, the air bags and front passenger sensing system may not work properly.**
- **Do not use a seat cover. If you use a seat cover, the front passenger sensing system may not work properly.**

**How the System Works**

In a frontal collision, the crash sensors will detect rapid deceleration and send a signal to the controller. If the controller judges that the deceleration represents a severe frontal crash, the controller will trigger the inflators. The controller also judges:

- **Whether the front air bags should deploy at reduced power or at full power according to crash severity.**
- **Whether the front passenger’s front air bag should deploy or not based on classification of the occupant of the front passenger’s seat.**

Since your vehicle is equipped with side air bags, and side curtain air bags, crash sensors will detect a side collision, and if the controller judges that the side collision is severe enough, it will trigger the side air bag and side curtain air bag inflators.

The inflators inflate the appropriate air bags with nitrogen or argon gas. The inflated air bags provide a cushion for your head (front air bags and side curtain air bags only) and upper body. The air bag inflates and deflates so quickly that you may not even realize that it has activated. The air bag will neither hinder your view nor make it harder to exit the vehicle.

Air bags must inflate quickly and forcefully in order to reduce the chance of serious or fatal injuries. However, an unavoidable consequence of the quick inflation is that the air bag may irritate bare skin, such as

## BEFORE DRIVING

the facial area against a front air bag. Also, upon inflation, a loud noise will occur and some powder and smoke will be released. These conditions are not harmful and do not indicate a fire in the car. Be aware, however, that some air bag components may be hot for a while after inflation.

A seat belt helps keep you in the proper position for maximum protection when an air bag inflates. Adjust your seat as far back as possible while still maintaining control of the vehicle. Sit fully back in your seat; sit up straight; do not lean over the steering wheel or dashboard. Front occupants should not lean on or sleep against the door. Please refer to the “Seat Adjustment” section and the “Seat Belts and Child Restraint Systems” section in the “BEFORE DRIVING” section for details on proper seat and seat belt adjustments.



65D610



54G582

### WARNING

- The driver should not lean over the steering wheel. The front passenger should not rest his or her body against the dashboard, or otherwise get too close to the dashboard. For vehicles with side air bags and side curtain air bags, occupants should not lean on or sleep against the door. In these situations, the out-of-position occupant would be too close to an inflating air bag, and may suffer severe injury.
- Do not attach any objects to, or place any objects over, the steering wheel or dashboard. Do not place any objects between the air bag and the driver or front passenger. These objects may interfere with air bag operation or may be propelled by the air bag in the event of a crash. Either of these conditions may cause severe injury.

(Continued)

**⚠ WARNING**

(Continued)

- **For vehicles with side air bags, do not place seat covers on the front seats, because seat covers could restrict the air bag's inflation. Also, do not place any cup holders or other objects on the door, as these objects could be propelled by the air bag in the event of a crash. Either of these conditions may cause severe injury.**

Note that even though your vehicle may be moderately damaged in a collision, the collision may not have been severe enough to trigger the front, side, or side curtain air bags to inflate. If your car sustains ANY front-end or side damage, have the air bag system inspected by an authorized SUZUKI dealer to ensure it is in proper working order.

Your vehicle is equipped with a diagnostic module which records information about the air bag system if the air bags deploy in a crash. The module records information about overall system status, which sensors activated the deployment, and whether the front seat belts were in use.

**Servicing the Air Bag System**

If the air bags inflate, have the air bags and related components replaced by an authorized SUZUKI dealer as soon as possible.

If your vehicle ever gets in deep water and the driver's floor is submerged, the air bag controller could be damaged. If this happens, have the air bag system inspected by the SUZUKI dealer as soon as possible.

Special procedures are required for servicing or replacing an air bag. For that reason, only an authorized SUZUKI dealer should be allowed to service or replace your air bags. Please remind anyone who services your SUZUKI that it has air bags.

Service on or around air bag components or wiring must be performed only by an authorized SUZUKI dealer. Improper service could result in unintended air bag deployment or could render the air bags inoperative. Either of these two conditions may result in severe injury.

To prevent damage or unintended inflation of the air bag system, be sure the battery is disconnected and the ignition switch has been in the "LOCK" position for at least 90 seconds before performing any electrical service work on your SUZUKI. Do not touch air bag system components or wires. The wires are wrapped with yellow tape or yellow tubing, and the couplers are yellow for easy identification.

Scrapping a car that has an undeployed air bag can be hazardous. Ask your dealer, body repair shop or scrap yard for help with disposal.

If it is necessary to modify the advanced front air bag system to accommodate a person with disabilities, owners in the continental United States can call American Suzuki toll-free at 1-800-934-0934, or write to:

American Suzuki Motor Corporation  
Automotive Customer Relations  
3251 East Imperial Highway  
Brea, CA 92821-6795

If you purchased your SUZUKI in Canada please contact the Suzuki Canada Customer Relations Department by telephone at 1-905-889-2677 extension 2254 or in writing at:

Suzuki Canada Inc.  
Customer Relations  
100 East Beaver Creek Road  
Richmond Hill, On  
L4B 1J6

**MEMO**

-----

-----

-----

-----

-----

-----

-----

-----

-----

-----

-----

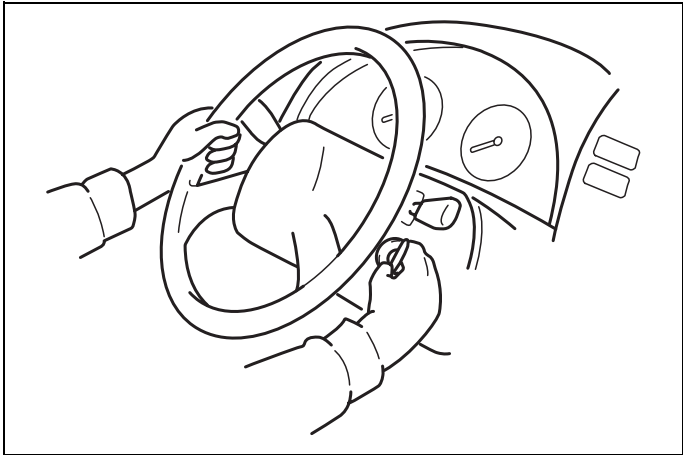
-----

-----

-----

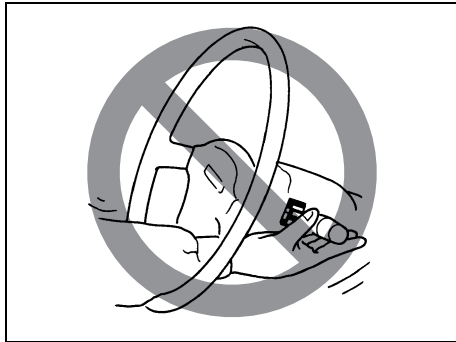
-----

# STEERING COLUMN CONTROLS



60G405

- Ignition Switch ..... 3-1
- Lighting/Turn Signal Control Lever ..... 3-5
- Windshield Wiper and Washer Lever ..... 3-8
- Rear Window Wiper/Washer Switch ..... 3-9
- Tilt Steering Lock Lever ..... 3-10
- Cruise Control (if equipped) ..... 3-10
- Remote Audio Controls (if equipped) ..... 3-12
- Horn ..... 3-12



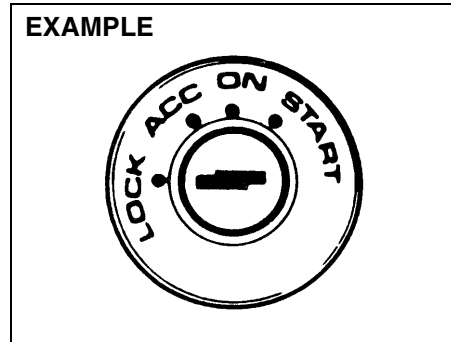
65D611

### **⚠ WARNING**

To avoid possible injury, do not operate controls by reaching through the steering wheel.

## Ignition Switch

### Vehicle Without Keyless Start System



60B041

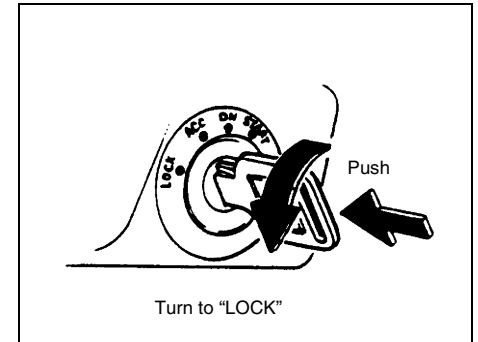
The ignition switch has the following four positions:

#### **LOCK**

This is the normal parking position. It is the only position in which the key can be removed.

It locks the ignition, and prevents normal use of the steering wheel after the key is removed.

## Manual transmission



60A055

- **Manual transmission vehicles**

You must push in the key to turn it to the "LOCK" position. It locks the ignition, and prevents normal use of the steering wheel after the key is removed.

- **Automatic transmission vehicles**

The gearshift lever must be in the "P" (Park) position to turn the key to the "LOCK" position. It locks the ignition and prevents normal use of the steering wheel and gearshift lever.

### ACC

Accessories such as the radio can operate, but the engine is off.

### ON

This is the normal operating position. All electrical systems are on.

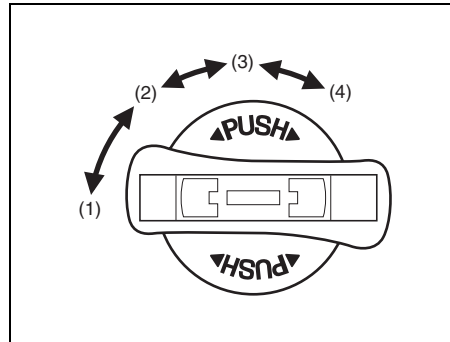
### START

This is the position for starting the engine using the starter motor. The key should be released from this position as soon as the engine starts.

### Ignition key reminder (if equipped)

A buzzer sounds intermittently to remind you to remove the ignition key if it is in the ignition switch when the driver's door is opened.

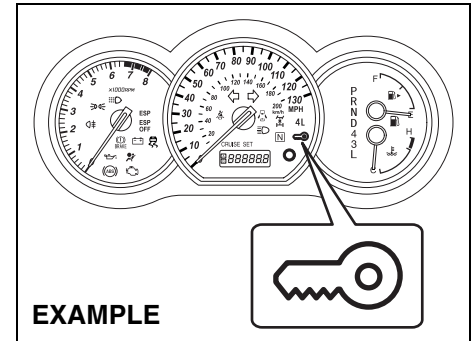
### Vehicle With Keyless Start System



The ignition switch can be operated without using an ignition key when the remote controller is in an area of the vehicle other than the rear luggage area. To turn the ignition switch, first push in the switch.

#### NOTE:

You must push in the ignition switch to turn it from the "LOCK" position to the "ACC" position. To return to the "LOCK" position from the "ACC" position, turn the ignition switch counterclockwise while pushing in the switch.



66J022

If the keyless start system blue indicator light illuminates on the instrument cluster, you can turn the ignition switch. If the red indicator light illuminates, you can not turn the ignition switch.

#### NOTE:

- The ignition switch can be turned to the "ACC" position when the keyless start system blue indicator light illuminates. The blue indicator light will illuminate for several seconds when you push in the ignition switch and then will turn off to protect the system. In this case, you must release the ignition switch and push it in again to illuminate the blue indicator light.
- If the keyless start system red indicator light illuminates, the remote controller may not be in the vehicle or the battery

## STEERING COLUMN CONTROLS

---

*of the remote controller may be unreliable.*

### NOTE:

- *If the battery of the remote controller runs down or there are strong radio waves or noise, the operating range may be narrower or the remote controller may be inoperative.*
- *If the remote controller is too close to the door glass, it may not operate.*
- *The ignition switch may not turn when the remote controller is on the instrument panel, in the glove box, in the door pocket, in the sun visor or on the floor.*

### CAUTION

**The remote controller is a sensitive electronic instrument. To avoid damaging the remote controller:**

- **Do not expose it to impacts, moisture or high temperature such as by leaving it on the dashboard under direct sunlight.**
- **Keep the remote controller away from magnetic objects such as a television.**

You can also turn the ignition switch by inserting the ignition key into the slot.

The ignition switch has the following four positions:

### LOCK (1)

This is the normal parking position. It is the only position in which the key can be removed. It locks the ignition, and prevents normal use of the steering wheel.

For vehicles with an automatic transmission, the gearshift lever must be in the “P” (Park) position to turn the key to the “LOCK” position.

To release the steering lock, turn the ignition switch clockwise to one of the other positions. If you have trouble turning the ignition switch to unlock the steering, try turning the steering wheel slightly to the right or left while turning the switch.

### NOTE:

*You must push the ignition switch in to turn it to the “ACC” position. Also you must push the ignition switch in to return it to the “LOCK” position.*

### ACC (2)

Accessories such as the radio can operate, but the engine is off.

### ON (3)

This is the normal operating position. All electrical systems are on.

### START (4)

This is the position for starting the engine using the starter motor. The switch should be released from this position as soon as the engine starts.

### Ignition switch reminder

(When using the keyless start system)

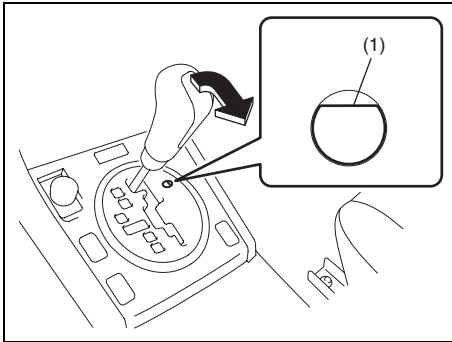
A buzzer sounds intermittently to remind you to return the ignition switch to the “LOCK” position if it is in the “ACC” position when the driver’s door is opened.

### Ignition key reminder

(When using the ignition key)

A buzzer sounds intermittently to remind you to remove the ignition key if it is in the ignition switch when the driver’s door is opened.





64J216

If the gearshift lever can not be shifted out of “P” (Park) in the normal way, removing the cover (1) and pushing the release button using a key or some other flat end object with the key in the “ON” or “ACC” position will permit movement of the gearshift lever out of “P” (see “If You Can Not Shift Automatic Transmission Gearshift Lever Out of “P” (PARK)” in the INDEX). The gearshift lever can be moved back to “P” without pushing the release button.

To release the steering lock, insert the key or use the keyless start system and turn the ignition switch clockwise to one of the other positions. If you have trouble turning the key to unlock the steering, try turning the steering wheel slightly to the right or left while turning the key.

### ⚠ WARNING

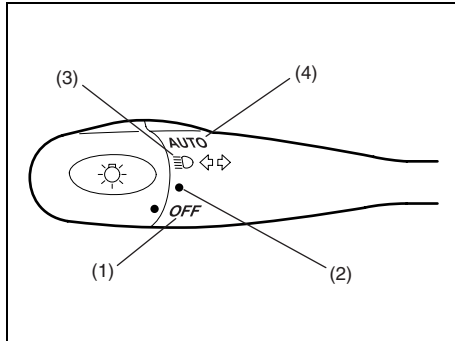
- For manual transmission vehicles, never return the ignition switch to the “LOCK” position and remove the ignition key while the vehicle is moving. The steering wheel will lock and you will not be able to steer the vehicle.
- Always carry the ignition key and the remote controller (if equipped) when leaving the vehicle even if for a short time. Also do not leave children or pets alone in a parked vehicle. Unattended children could cause accidental movement of the vehicle or could tamper with power windows or a power sunroof. Children or pets could also suffer from heatstroke in warm or hot weather, which could result in severe injury or even death.

### CAUTION

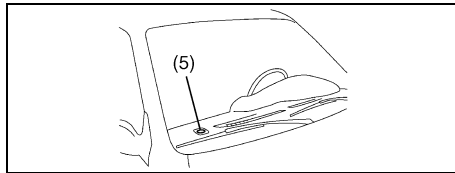
- Do not turn the starter motor for more than 15 seconds at a time. If the engine does not start, wait 15 seconds before trying again. If the engine does not start after several attempts, check the fuel and ignition systems or consult your SUZUKI dealer.
- Do not leave the ignition switch in the “ON” position if the engine is not running or the battery will discharge.

# STEERING COLUMN CONTROLS

## Lighting/Turn Signal Control Lever



66J023



52D166

Your vehicle's lighting system is controlled by three main systems: the Lighting switch, the Auto-On Headlight System (when the lighting switch is in the "AUTO" position) and the Daytime Running Light (D.R.L.) system.

The three systems work together to operate your lights as shown in the following chart:

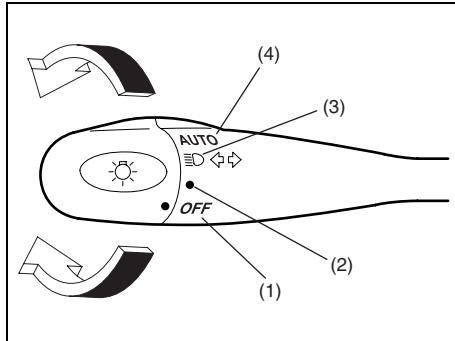
E/G: Engine  
IG: Ignition switch  
ON: Lights ON

LIGHT: When it is light around the light sensor (5).

DARK: When it is dark around the light sensor (5).

Lighting switch position	Main lights to be operated	IG OFF		IG ON			
		E/G OFF		E/G OFF		E/G RUNNING	
		LIGHT	DARK	LIGHT	DARK	LIGHT	DARK
(1) OFF	D.R.L.	-	-	-	-	ON	ON
	Parking lights, Tail lights	-	-	-	-	-	-
	Head lights	-	-	-	-	-	-
(2) Middle	D.R.L.	-	-	-	-	ON	ON
	Parking lights, Tail lights	ON	ON	ON	ON	ON	ON
	Head lights	-	-	-	-	-	-
(3) Third	D.R.L.	-	-	-	-	-	-
	Parking lights, Tail lights	ON	ON	ON	ON	ON	ON
	Head lights	ON	ON	ON	ON	ON	ON
(4) AUTO	D.R.L.	-	-	-	-	ON	-
	Parking lights, Tail lights	-	-	-	ON	-	ON
	Head lights	-	-	-	ON	-	ON

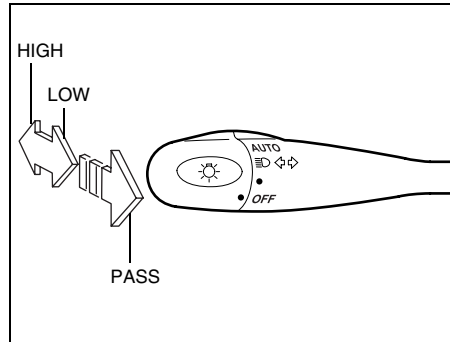
## Lighting Operation



66J024

This control lever is located on the outboard side of the steering column. Operate the lever as described below.

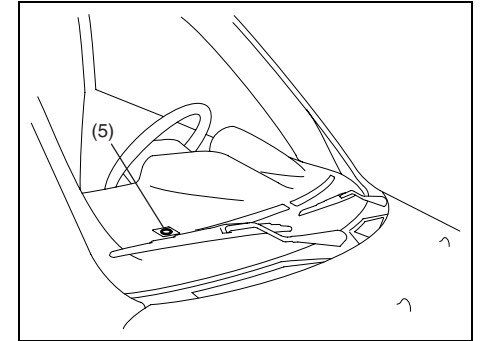
To turn the lights on or off, twist the knob on the end of the lever. There are four positions: in the "OFF" (1) position all lights are off; in the second (2) position the front parking lights, tail-lights, license plate light and instrument lights are on, but the headlights are off; in the third (3) position the headlights come on in addition to the other lights; in the "AUTO" (4) position, refer to "Auto-On Headlight System" for details.



66J025

With the headlights on, push the lever forward to switch to the high beams or pull the lever toward you to switch to the low beams. When the high beams are on, a light on the instrument panel will come on. To momentarily activate the high beams as a passing signal, pull the lever slightly toward you and release it when you have completed the signal.

## Auto-On Headlight System



66J026

The Auto-on headlight system automatically turns on all lights that are operated by the lighting control lever on the steering column, when the following four conditions are all met.

Conditions for Auto-on headlight system operation:

- 1) It is dark around the light sensor (5).
- 2) The lighting control lever in the "AUTO" position.
- 3) The ignition switch is in the "ON" position.
- 4) The parking brake is released.

This system is operated by the signal from the light sensor (5) on the right end of the instrument panel. Do not cover the sensor (5). If you do, the system will not work correctly.

### WARNING

**It takes about 5 seconds for the light sensor to react to a change in lighting conditions. To help avoid an accident due to reduced visibility, turn on your headlights before driving into a tunnel, parking structure or the like.**

#### NOTE:

*This system does not react to all types of ambient light. As the sensor is infrared type, it will not work correctly with ambient lights that do not contain infrared rays.*

### Daytime Running Light (D.R.L.) System

The headlights light, but are dimmer than the low beam, when the following three conditions are all met. Also, the D.R.L. indicator light on the instrument panel comes on.

Conditions for D.R.L. system operation:

- 1) The engine is running.
- 2) The parking brake is released.
- 3) The lighting switch is in either the "OFF" or the "Second" position: or The lighting switch is in the "AUTO" position and it is light around the light sensor.

#### NOTE:

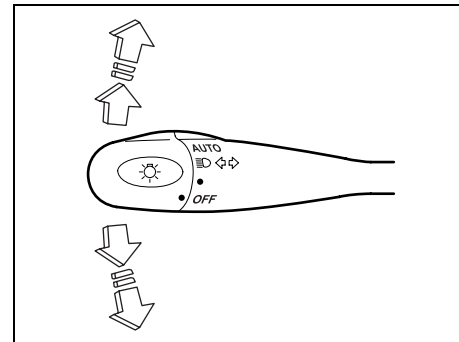
*Be sure to turn the lighting switch to the third position at night or at any time of the day when driving or weather conditions require the headlights to operate at full brightness and the taillights to be on.*

### Lights "On" reminder

A buzzer sounds to remind you to turn off the lights if they are left on when the ignition key is removed and the driver's door is opened.

### Turn Signal Operation

With the ignition switch in the "ON" position, move the lever up or down to activate the right or left turn signals.



66J027

### Normal turn signal

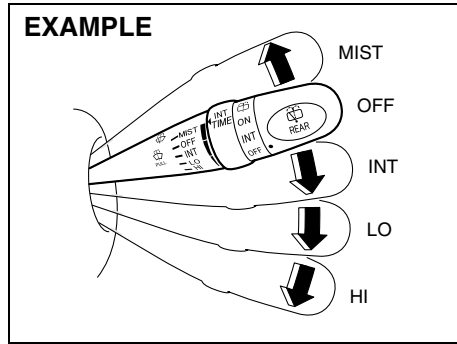
Move the lever all the way up to signal a right turn or all the way down to signal a left turn. When the turn is completed, the signal will cancel and the lever will return to its normal position.

### Lane change signal

In some turns, such as changing lanes, the steering wheel is not turned far enough to cancel the turn signal. For convenience, you can flash the turn signal by moving the lever part way and holding it there. The lever will return to its normal position when you release it.

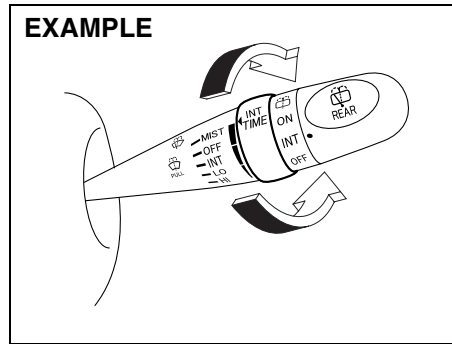
## Windshield Wiper and Washer Lever

### Windshield Wipers



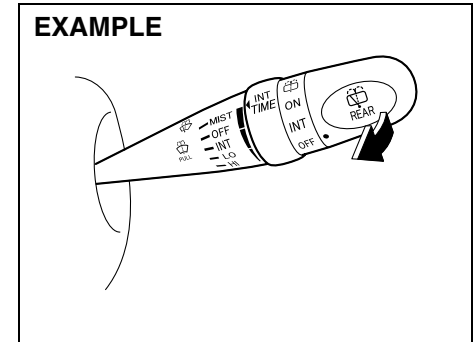
To turn the windshield wipers on, move the lever up and down to one of the four operating positions. In the “INT” position (if equipped), the wipers operate intermittently. The “INT” position is very convenient for driving in mist or light rain. In the “LO” position, the wipers operate at a steady low speed. In the “HI” position, the wipers operate at a steady high speed. To turn off the wipers, move the lever back to the “OFF” position.

Move the lever up and hold it to the “MIST” position, the windshield wipers will turn on continuously at low speed.



If the lever is equipped with the “INT TIME” control, turn the control forward or rearward to adjust the intermittent wiper operation to the desired interval.

### Windshield Washer



To spray windshield washer fluid, pull the lever toward you. The windshield wipers will automatically turn on at low speed if they are not already on and if the “INT” position is equipped.

### **▲ WARNING**

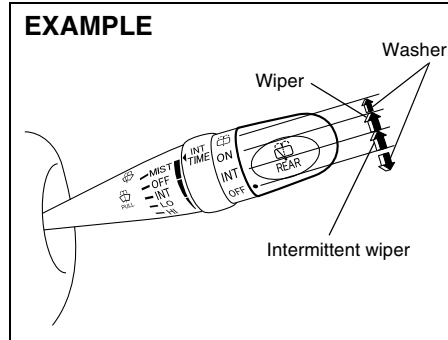
- To prevent windshield icing in cold weather, turn on the defroster to heat the windshield before and during windshield washer use.
- Do not use radiator antifreeze in the windshield washer reservoir. It can severely impair visibility when sprayed on the windshield, and can also damage your vehicle’s paint.

### CAUTION

To help prevent damage to windshield wiper and washer system components, you should take the following precautions:

- Do not continue to hold in the lever when there is no windshield washer fluid being sprayed or the washer motor can be damaged.
- Do not attempt to remove dirt from a dry windshield with the wipers or you can damage the windshield and the wiper blades. Always wet the windshield with washer fluid before operating the wipers.
- Clear ice or packed snow from the wiper blades before using the wipers.
- Check the washer fluid level regularly. Check it often when the weather is bad.
- Only fill the washer fluid reservoir 3/4 full during cold weather to allow room for expansion if the temperature falls low enough to freeze the solution.

## Rear Window Wiper/Washer Switch



To turn the rear wiper on, twist the rear wiper switch on the end of the lever forward to the “ON” position. If your vehicle is equipped the “INT” position, the rear wiper operates intermittently when you twist the switch forward to the “INT” position. To turn the rear wiper off, twist the switch rearward to the “OFF” position.

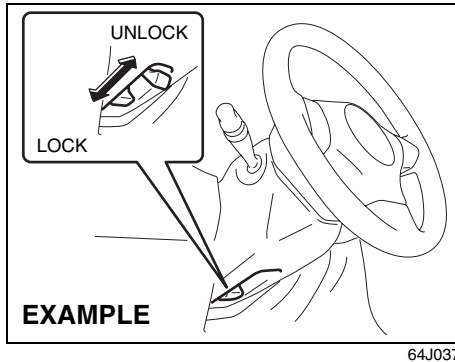
With the rear wiper in the “OFF” position, twist the switch rearward and hold it there to spray window washer fluid.

With the rear wiper in the “ON” position, turn the switch forward and hold it there to spray window washer fluid.

### CAUTION

Clear ice or snow from the rear window and rear wiper blade before using the rear wiper. Accumulated ice or snow could prevent the wiper blade from moving, causing damage to the wiper motor.

## Tilt Steering Lock Lever



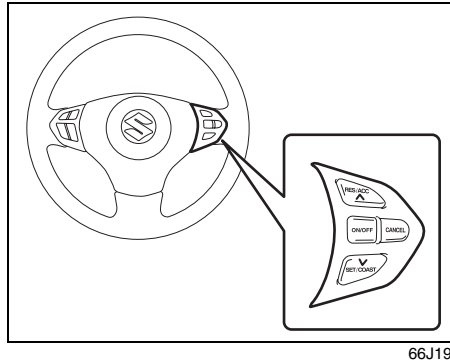
The release lever is located under the steering column. To adjust the steering wheel height:

- 1) Pull up the lock lever to unlock the steering column.
- 2) Adjust the steering wheel to the desired height and lock the steering column by pulling down the lock lever.
- 3) Try moving the steering wheel up and down to make sure it is securely locked in position.

### **⚠ WARNING**

**Never attempt to adjust the steering wheel height while the vehicle is moving or you could lose control of the vehicle.**

## Cruise Control (if equipped)



The cruise control system allows you to maintain a steady speed without keeping your foot on the accelerator pedal. The controls for operating the cruise control system are on the steering wheel. You can use the cruise control system at speeds of about 40 km/h (25 mph) or higher.

### **⚠ WARNING**

**To help avoid loss of vehicle control, do not use the cruise control system when driving in heavy traffic, on slippery or winding roads, or on steep downgrades.**

# CRUISE

52D113

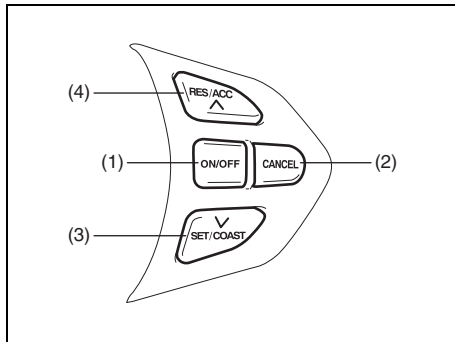
When you push the “ON/OFF” switch, the system is on and a “CRUISE” indicator light on the instrument cluster will be on.

# SET

65D474

When the vehicle’s speed is controlled by the cruise control system, a “SET” indicator light on the instrument cluster will be on.

## STEERING COLUMN CONTROLS



66J193

### To Set Cruising Speed

Turn on the cruise control system by pushing the “ON/OFF” switch (1). Accelerate to the desired speed and push the “SET/COAST” switch (3). Take your foot off the accelerator pedal and the set speed will be maintained.

With the cruise control on, you can increase speed for passing by using the accelerator pedal. When you take your foot off the pedal, your vehicle will return to the set speed.

### To Change Cruising Speed

To reset the cruise control to a slower speed, hold in the “SET/COAST” switch (3) until the vehicle has slowed to the desired speed, then release the switch. The new speed will be maintained.

To reset the cruise control to a faster speed, use either of the following procedures:

- Hold in the “RES/ACC” switch (4). Vehicle speed will steadily increase. When you release the switch, the new speed will be maintained.
- Accelerate to the desired speed using the accelerator pedal and push the “SET/COAST” switch (3). The new speed will be maintained.

### To Cancel

To cancel cruise control operation, use one of the following procedures:

- Slightly depress the brake pedal or clutch pedal, or push the “CANCEL” switch (2). Cruise control operation will be canceled until you reset a cruising speed by pushing the “SET/COAST” switch (3) or “RES/ACC” switch (4).
- Push the “ON/OFF” switch (1). Cruise control operation will be canceled until you turn on the system by pushing the “ON/OFF” switch (1) again and reset a cruising speed by pushing the “SET/COAST” switch (3).

Cruise control operation will also be canceled any time the vehicle speed falls below 40 km/h (25 mph).

### To “Resume” a Previously Set Speed

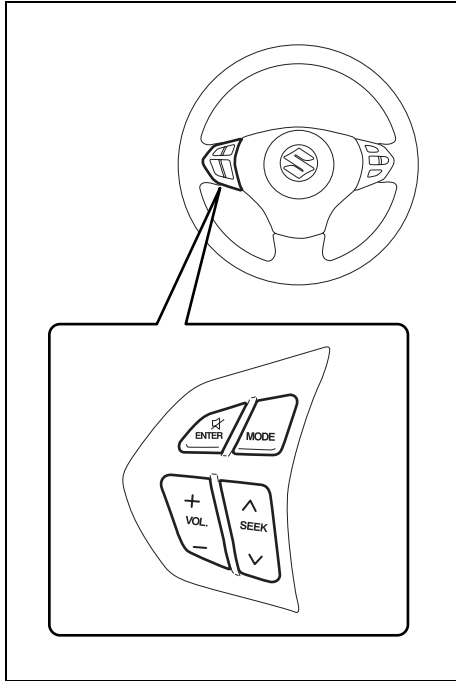
After canceling cruise control operation without turning off the “ON/OFF” switch (1), you can “resume” a previously set speed, by holding the “RES/ACC” switch (4) for about one second. When you release the switch, the vehicle will accelerate to and maintain the previously set speed.

#### NOTE:

*If the “ON/OFF” switch (1) is turned off, the set speed in the memory is cleared and you can not use the Resume feature. In this case, reset your CRUISE speed.*



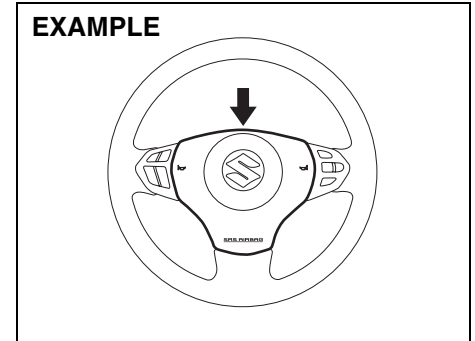
### Remote Audio Controls (if equipped)



66J127

You can control basic functions of the audio system with the switches on the steering wheel. For details, refer to “Audio Systems” in the “INSTRUMENT PANEL” section.

### Horn



64J040

Press the horn pad on the steering wheel to sound the horn. The horn will sound with the ignition switch in any position.

**MEMO**

-----

-----

-----

-----

-----

-----

-----

-----

-----

-----

-----

-----

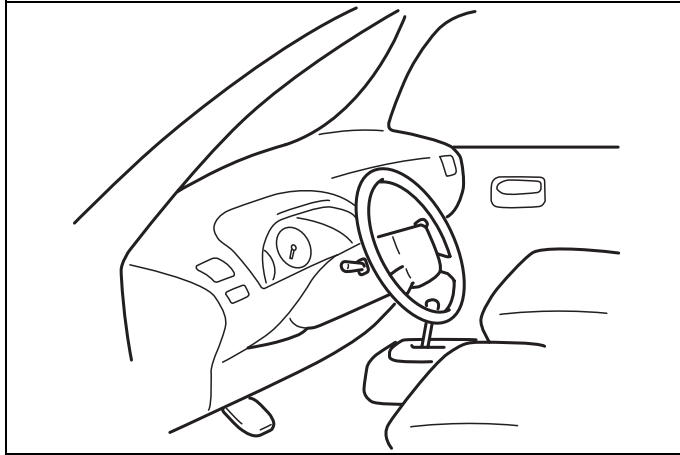
-----

-----

-----

-----

# INSTRUMENT PANEL



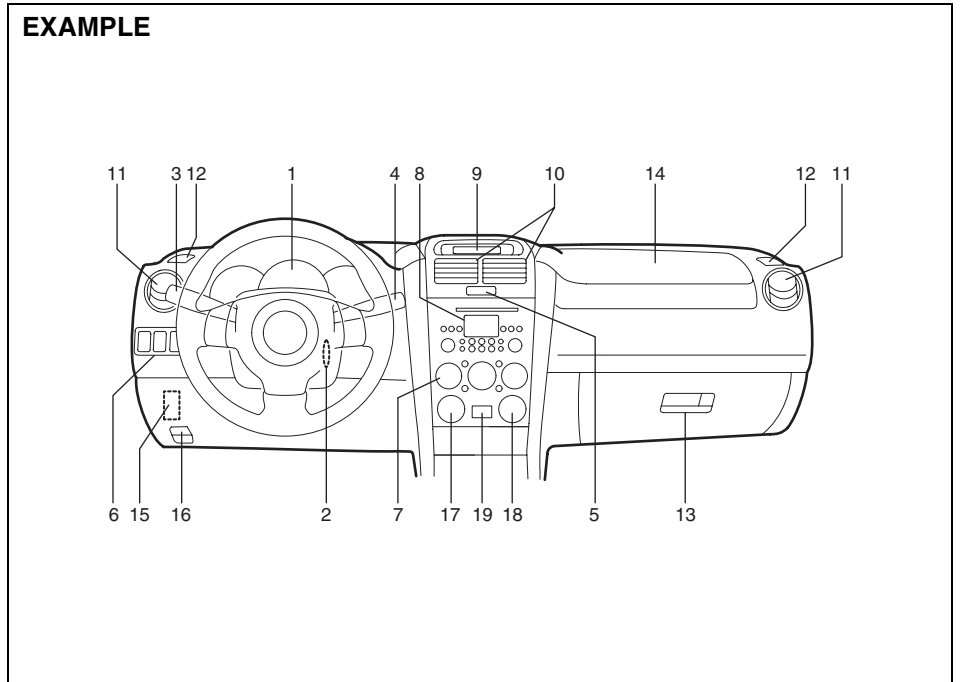
60G406

Instrument Panel .....	4-1
Instrument Cluster .....	4-2
Warning and Indicator Lights .....	4-3
A/T Selector Position Indicator (if equipped) .....	4-11
Speedometer/Odometer/Tripmeter/Brightness Control .....	4-11
Tachometer .....	4-13
Fuel Gauge .....	4-13
Temperature Gauge .....	4-14
“PASS AIR BAG OFF” Indicator .....	4-14
Hazard Warning Switch .....	4-15
Rear Window Defroster and Outside Rearview Mirrors Defroster (if equipped) Switch .....	4-15
Front Fog Light Switch (if equipped) .....	4-16
“ESP OFF” Switch .....	4-16
Transfer Switch (if equipped) .....	4-17
Glove Box .....	4-17
Information Display .....	4-17
Theft Deterrent Light .....	4-21
Automatic Heating and Air Conditioning System (Climate Control) .....	4-21
Audio Systems .....	4-28

# INSTRUMENT PANEL

## Instrument Panel

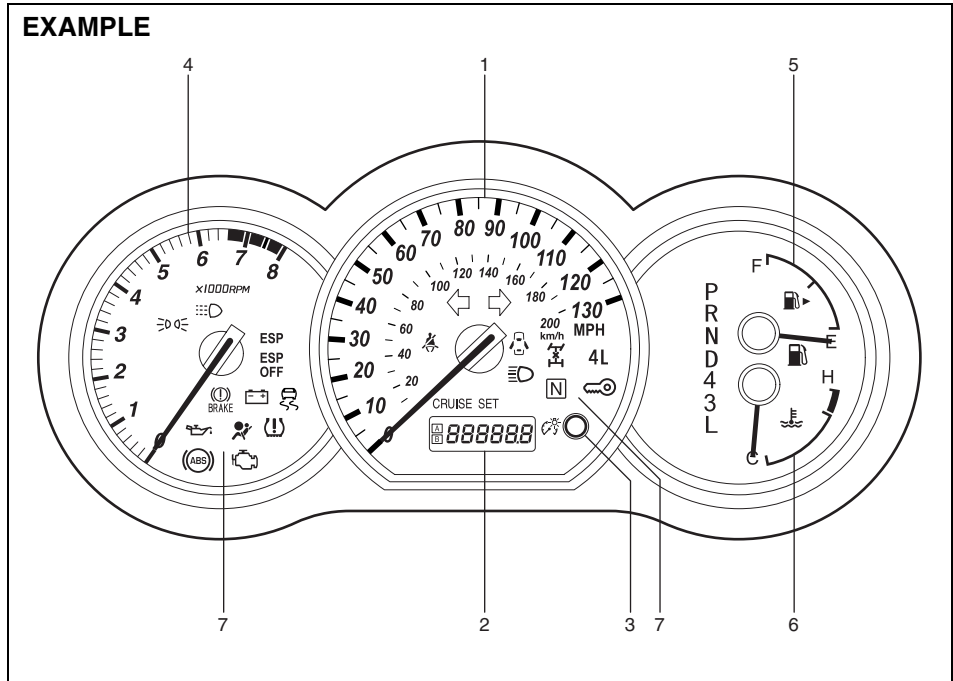
1. Instrument cluster
2. Ignition switch
3. Lighting switch/Turn signal and dimmer switch
4. Windshield wiper and washer switch/  
Rear window wiper and washer switch
5. Hazard warning switch
6. Other switches (if equipped)
7. Heater control panel/Climate control panel
8. Audio system (if equipped)
9. Information display
10. Center ventilator
11. Side ventilator
12. Side defroster
13. Glove box
14. Passenger's air bag
15. Fuse box
16. Hood release
17. Transfer switch (if equipped)
18. "ESP OFF" switch
19. "PASS AIR BAG OFF" indicator/Front passenger's seat belt reminder light



66J245

**Instrument Cluster**

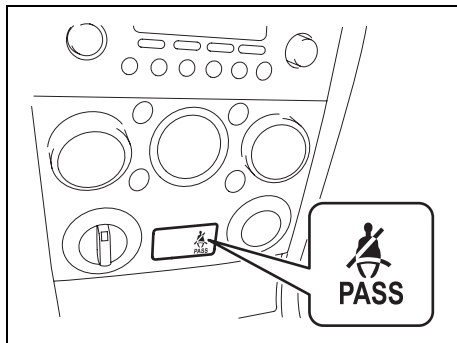
1. Speedometer
2. Odometer/Tripmeter
3. Odometer/Tripmeter selector and meter illumination cancel knob
4. Tachometer
5. Fuel gauge
6. Temperature gauge
7. Warning and indicator lights



66J212

### Warning and Indicator Lights

#### Front Passenger's Seat Belt Reminder Light



66J246

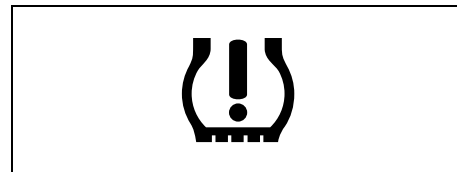
The front passenger's seat belt reminder light is located in the center of the instrument panel. If there is a passenger in the front seat and the front passenger's seat belt is unbuckled about 10 seconds after the ignition switch is turned to the "ON" position, this light will come on and then blink. When the light comes on, a buzzer will also sound intermittently for about 6 seconds. The reminder will repeat several times under certain conditions until the front passenger's seat belt is buckled. After repeating several times, the reminder will be canceled even if the front passenger's seat belt remains unbuckled.

For details about the seat belt reminder, refer to "Seat Belts and Child Restraint Systems" in the "BEFORE DRIVING" section.

#### WARNING

**It is absolutely essential that the driver and passengers wear their seat belts at all times. Persons who are not wearing seat belts have a much greater risk of injury if an accident occurs. Make a regular habit of buckling your seat belt before putting the key in the ignition.**

#### Low Tire Pressure Warning Light



52D305

As an added safety feature, your vehicle has been equipped with a tire pressure monitoring system (TPMS) that uses a low tire pressure warning light to inform you when one or more of your tires is significantly under-inflated.

When the ignition switch is turned to the "ON" position, the low tire pressure warning light comes on briefly so you can check that the light is working.

When the low tire pressure warning light is lit, one or more of your tires is significantly under-inflated. You should stop and check your tires as soon as possible, and inflate them to the proper pressure as indicated on the vehicle's tire information placard. Driving on a significantly under-inflated tire causes the tire to overheat and can lead to tire failure. Under-inflation also reduces fuel efficiency and tire tread life, and may affect the vehicle's handling and stopping ability. Each tire, including the spare, should be checked at least once a month when cold and set to the recommended

inflation pressure as specified in the vehicle placard and owner's manual.

The low tire pressure warning light is also used to inform you of a TPMS malfunction. When the system detects a malfunction, this light will flash for approximately one minute and then remain continuously illuminated. This sequence will be repeated approximately ten minutes after subsequent vehicle start-ups as long as the malfunction exists.

**NOTE:**

*The low tire pressure warning light may not come on immediately if you have a sudden loss of air pressure.*

**⚠ WARNING**

If the low tire pressure warning light does not come on when the ignition is turned to the "ON" position, or comes on and blinks while driving there may be a problem with the tire pressure monitoring system. Have your vehicle inspected by an authorized SUZUKI dealer. Even if the light turns off after blinking, indicating that the monitoring system has recovered, make sure to have an authorized SUZUKI dealer check the system.

**⚠ WARNING**

The load rating of your tires is reduced at lower inflation pressures. If your tires become even moderately under-inflated, the vehicle load may exceed the load rating of the tires, which can lead to tire failure. The low tire pressure warning light will not alert you of this condition. The warning light will only come on when one or more of your tires become significantly under-inflated. Check and adjust your tire inflation pressure at least once a month. Refer to "Tires" in the "INSPECTION AND MAINTENANCE" section.

**⚠ WARNING**

If the low tire pressure warning light comes on and stays on, reduce your speed and avoid abrupt steering and braking. Stop in a safe place as soon as possible and check your tires.

- If you have a flat tire, replace it with the spare tire. Refer to "Jacking Instructions" in the "EMERGENCY SERVICE" section. Refer to "Replacing Tires and/or Wheels" for instructions on how to restore normal operation of the tire pressure monitoring system after you have had a flat tire.

(Continued)

**⚠ WARNING**

(Continued)

- If one or more of your tires is under-inflated, adjust the inflation pressure in all of your tires to the recommended inflation pressure as soon as possible.

Be aware that driving on a significantly under-inflated tire can cause the tire to overheat and can lead to tire failure, and may affect steering control and brake effectiveness. This could lead to an accident, resulting in severe injury or death.

Refer to "Tire Pressure Monitoring System" in the "OPERATING YOUR VEHICLE" section for additional details on the tire pressure monitoring system. Refer to "Tires" in the "INSPECTION AND MAINTENANCE" section for information on maintaining proper tire pressure.

### Brake System Warning Light



65D477

This light comes on briefly when the ignition switch is turned to the “ON” position. The light also comes on under the following conditions: 1) when the parking brake is engaged, and 2) when the fluid in the brake fluid reservoir falls below the specified level. The light should go out after fully releasing the parking brake, if the fluid level in the brake fluid reservoir is adequate.

If the brake system warning light comes on while you are driving the vehicle, it may mean that there is something wrong with the vehicle’s brake system. If this happens, you should:

- 1) Pull off the road and stop carefully.

#### WARNING

**Remember that stopping distance may be longer, you may have to push harder on the pedal, and the pedal may go down farther than normal.**

- 2) Test the brakes by carefully starting and stopping on the shoulder of the road.

- 3) If you determine that it is safe, drive cautiously at low speed to the nearest dealer for repairs,
- or
- 4) Have the vehicle towed to the nearest dealer for repairs.

#### WARNING

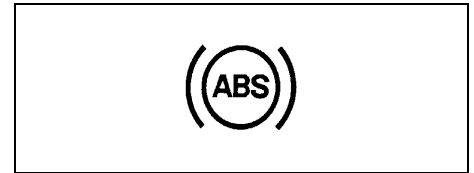
**If any of the following conditions occur, you should immediately ask your SUZUKI dealer to inspect the brake system.**

- **If the brake system warning light does not go out after the parking brake has been fully released.**
- **If the brake system warning light does not come on when the ignition switch is turned to the “ON” position.**
- **If the brake system warning light comes on at any time during vehicle operation.**

#### NOTE:

*Because the disc brake system is self-adjusting, the fluid level will drop as the brake pads become worn. Replenishing the brake fluid reservoir is considered normal periodic maintenance.*

### Anti-Lock Brake System (ABS) Warning Light



65D529

When the ignition switch is turned to the “ON” position, the light comes on briefly so you can check that the light is working. If the light stays on, or comes on when driving, there may be something wrong with the ABS.

If the ABS light and the brake system warning light stay on, or come on simultaneously when driving, then there may be something wrong with both the rear brake proportioning valve function and anti-lock function of the ABS system.

If one of these happens, have the system inspected by your SUZUKI dealer. If the ABS becomes inoperative, the brake system will function as an ordinary brake system that has no ABS.

For details of the ABS, refer to “Anti-Lock Brake system (ABS)” in the “OPERATING YOUR VEHICLE” section.



**SLIP Indicator Light**



66J033

ESP® is a registered trademark of DaimlerChrysler AG.

This light blinks 5 times per second when one of the ESP® systems other than ABS is activated. If this light blinks, drive carefully.

When the ignition switch is turned to the “ON” position, the light comes on briefly so you can check that the light is working. If the light stays on, or comes on when driving and remains on, there may be something wrong with the ESP® systems (other than ABS). You should have the system inspected by an authorized SUZUKI dealer.

**NOTE:**

*When you disconnect and re-connect the battery, ESP® system functions other than ABS will be deactivated and the slip indicator light will blink 1 time per second. For details on how to reactive the ESP® systems, refer to “SLIP Indicator Light” in the “OPERATING YOUR VEHICLE” section.*

For details of the ESP® systems, refer to “Electronic Stability Program (ESP®)” in the “OPERATING YOUR VEHICLE” section.



**“ESP” (Electronic Stability Program) Warning Light**



66J031

When the ignition switch is turned to the “ON” position, the light comes on briefly so you can check that the light is working. If the light stays on, or comes on when driving, there may be something wrong with the ESP® systems (other than ABS). You should have the system inspected by an authorized SUZUKI dealer.

For details of the ESP® systems, refer to “Electronic Stability Program (ESP®)” in the “OPERATING YOUR VEHICLE” section.

**“ESP OFF” Indicator Light**



66J032

When the ignition switch is turned to the “ON” position, this light comes on briefly so you can check that the light is working.

When the “ESP OFF” switch is pushed to turn off the ESP® systems (other than ABS), the “ESP OFF” light comes on and stays on.

**NOTE:**

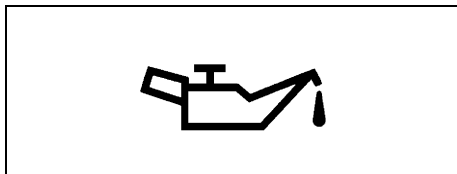
- *If the vehicle speed is greater than approximately 30 km/h (19 mph), the ESP® systems (other than ABS) will turn on automatically and the light will go out.*
- *When the transfer switch (if equipped) is turned to the “4L LOCK” position, the ESP® systems (other than ABS) will be canceled automatically. The light will come on and stay on.*
- *If the ESP® systems operate continuously such as when driving on slippery roads, the traction control functions of the ESP® systems may be canceled temporarily to avoid overheating the brake pads, and the light will come on. After a short period of time, the ESP®*

## INSTRUMENT PANEL

*systems (other than ABS) will turn on automatically and the light will go out.*

For details of the ESP® systems, refer to “Electronic Stability Program (ESP®)” in the “OPERATING YOUR VEHICLE” section.

### Oil Pressure Light



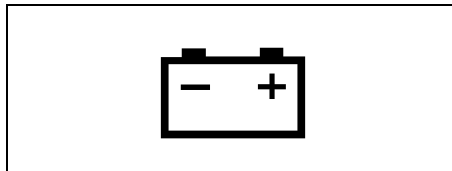
50G051

This light comes on when the ignition switch is turned to the “ON” position, and goes out when the engine is started. The light will come on and remain on if there is insufficient oil pressure. If the light comes on when driving, pull off the road as soon as you can and stop the engine. Check the oil level and add oil if necessary. If there is enough oil, the lubrication system should be inspected by your SUZUKI dealer before you drive the vehicle again.

### CAUTION

- If you operate the engine with this light on, severe engine damage can result.
- Do not rely on the Oil Pressure Light to indicate the need to add oil. Be sure to periodically check the engine oil level.

### Charging Light



50G052

This light comes on when the ignition switch is turned to the “ON” position, and goes out when the engine is started. The light will come on and remain on if there is something wrong with the battery charging system. If the light comes on when the engine is running, the charging system should be inspected immediately by your SUZUKI dealer.

### Driver’s Seat Belt Reminder Light



60G049

If the driver’s seat belt is unbuckled when the ignition switch is turned to the “ON” position, this light will come on and then blink. When the light comes on, a buzzer will also sound intermittently for about 6 seconds. The reminder will repeat several times under certain conditions until the driver’s seat belt is buckled. After repeating several times, the reminder will be canceled even if the driver’s seat belt remains unbuckled.

For details about the seat belt reminder, refer to “Seat Belts and Child Restraint Systems” in the “BEFORE DRIVING” section.

### ⚠ WARNING

**It is absolutely essential that the driver and passengers wear their seat belts at all times. Persons who are not wearing seat belts have a much greater risk of injury if an accident occurs. Make a regular habit of buckling your seat belt before putting the key in the ignition.**

**“AIR BAG” Light**



63J030

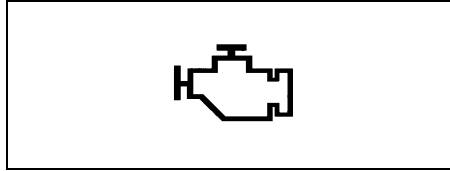
This light monitors inflators, crash sensors, seat belt pretensioners, the front passenger sensing system, and corresponding electrical circuits.

This light blinks for several seconds when the ignition switch is turned to the “ON” position so you can check if the light is working. The light will come on and stay on if there is a problem in the air bag system or the seat belt pretensioner system.

**⚠ WARNING**

**If the “AIR BAG” light does not blink when the ignition switch is turned to the “ON” position or stays on or comes on when driving, the air bag system or the seat belt pretensioner system (if equipped) may not work properly. Have both systems inspected by an authorized SUZUKI dealer.**

**Malfunction Indicator Light**



65D530

Your vehicle has a computer-controlled emission control system. A malfunction indicator light is provided on the instrument panel to indicate when it is necessary to have the emission control system serviced. The malfunction indicator light comes on when the ignition switch is turned to the “ON” position to let you know the light is working and goes out when the engine is started.

If the malfunction indicator light comes on or blinks when the engine is running, service to the emission control system is necessary. Bring the vehicle to your SUZUKI dealer to have the emission control system serviced right away and avoid hard acceleration until the service is performed.

**CAUTION**

**Continuing to drive the vehicle when the malfunction indicator light is on or blinking can cause permanent damage to the vehicle’s emission control system, and can affect fuel economy and driveability.**

**NOTE:**

*If the fuel filler cap is not installed fully, the electrical system gets wet (such as by driving through a deep puddle of water) or the fuel tank gets nearly empty, the malfunction indicator lamp may come on. If so, the lamp will go off after driving a few times after the fuel filler cap is installed fully, the electrical system dries out or the fuel tank is filled.*

**Low Fuel Warning Light**



54G343

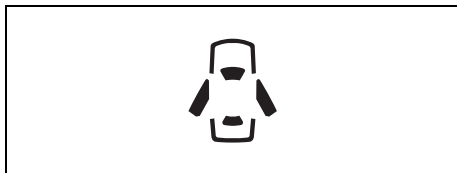
If this light comes on, fill the fuel tank immediately.

**NOTE:**

*The activation point of this light varies depending on road conditions (for example, slope or curve) and driving conditions because of fuel moving in the tank.*

## INSTRUMENT PANEL

### Open Door Warning Light



54G391

This light remains on until all doors (including the tailgate) are completely closed.

### “CRUISE” Indicator Light (if equipped)



52D113

When the cruise control system is on, this light will be on.

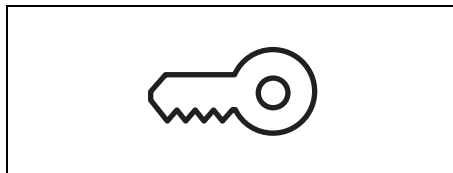
### “SET” Indicator Light (if equipped)



65D474

When the vehicle’s speed is controlled by the cruise control system, this light will be on.

### Keyless Start System Indicator Light (if equipped)

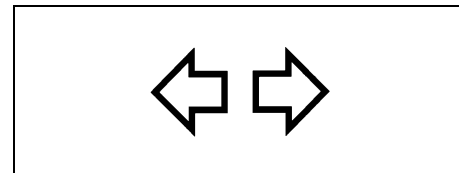


62J041

When you push the ignition switch for vehicle with the keyless start system, this light will come on in blue or red. If this light comes on in blue, you can turn the ignition switch without using an ignition key. If this light comes on in red, you can not turn the ignition switch without using an ignition key. For details, refer to “Ignition Switch” in the “STEERING COLUMN CONTROLS” section.

If this light blinks in red, it reminds you that the remote controller is not in the vehicle. For details, refer to “Keyless Start System Remote Controller/Keyless Entry System Transmitter” in the “BEFORE DRIVING” section.

### Turn Signal Indicators

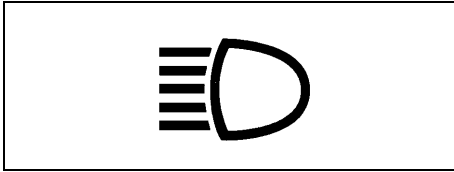


50G055

When you turn on the left or right turn signals, the corresponding green arrow on the instrument panel will flash along with the respective turn signal lights.

When you turn on the hazard warning switch, both arrows will flash along with all of the turn signal lights.

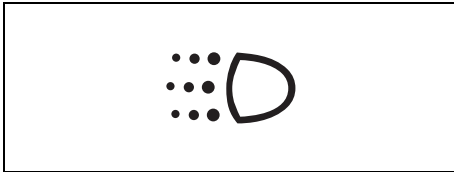
**High Beam Indicator Light**



50G056

This indicator comes on when headlight high beams are turned on.

**Daytime Running Light (D.R.L.) Indicator Light (if equipped)**



60B245

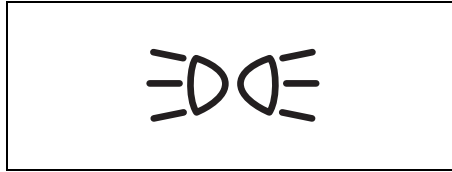
With the D.R.L. system, the headlights light, but are dimmer than the low beam, when the following three conditions are all met. Whenever the D.R.L. system is operating, the D.R.L. indicator light remains on.

Conditions for D.R.L. system operation

- 1) The engine is running.
- 2) The parking brake is released.
- 3) The lighting switch is at either the "OFF" or the "middle" position: or  
The lighting switch is in the "AUTO"

position and it is light around the light sensor.

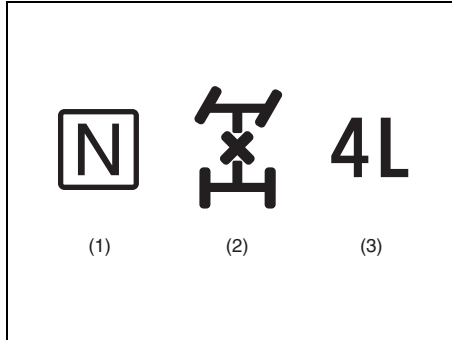
**Illumination Indicator Light**



64J045

This indicator light comes on when the lighting switch is in the second or third position.

**Transfer Position Indicator Light (if equipped)**



(1)

(2)

(3)

64J044

These indicators show the 4WD operating mode as described below. When the igni-

tion switch is turned to the "ON" position, these lights come on briefly to let you know that the lights are working.

(1): Neutral

(2): 4-wheel drive high range center differential lock mode

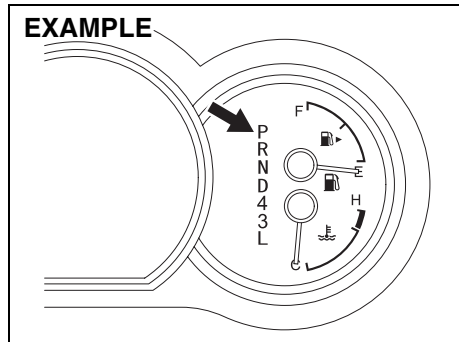
(2) & (3): 4-wheel drive low range center differential lock mode

No indicators: 4-wheel drive high range mode

For details, refer to "Using the Transfer Switch" in the "OPERATING YOUR VEHICLE" section.

If the indicators (all lights) continue to blink, there is a problem in the transfer system and you should have your vehicle inspected by an authorized SUZUKI dealer.

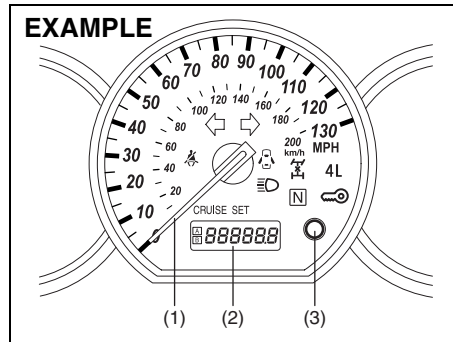
### A/T Selector Position Indicator (if equipped)



66J034

When the ignition switch is in the "ON" position, this indicator shows the selector position of automatic transmission.

### Speedometer/Odometer/Tripmeter/Brightness Control



66J035

- (1) Speedometer
- (2) Odometer/Tripmeter
- (3) Odometer/Tripmeter selector, Brightness control knob

### Speedometer

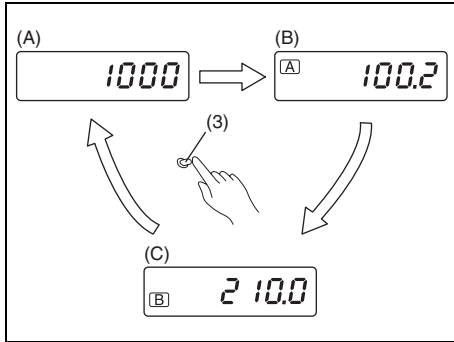
The speedometer indicates vehicle speed in km/h and miles/h.

### Odometer/Tripmeter

When the ignition switch is turned to "ON", the display shows the odometer or tripmeter. The odometer records the total distance the vehicle has been driven. The tripmeter can be used to measure the distance traveled on short trips or between fuel stops.

### CAUTION

**Keep track of your odometer reading and check the maintenance schedule regularly for required services. Increased wear or damage to certain parts can result from failure to perform required services at the proper mileage intervals.**

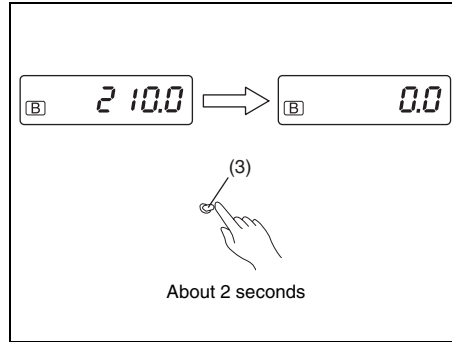


64J049

When the ignition switch is turned to the "ON" position, the display shows the odometer or trip meter.

The display shows three types of indication; odometer, trip meter A and trip meter B. Push the selector knob (3) quickly to switch the indication among the three.

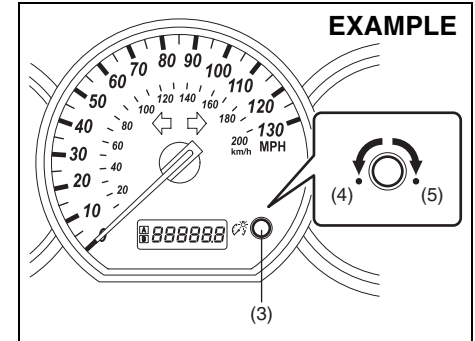
You can use the two trip meters (A and B) independently.



64J205

Hold in the selector knob for about 2 seconds to reset the trip meter to zero.

## Brightness Control



66J213

- (3) Brightness control knob
- (4) In this position, the meter lights are the dimmest and the other instrument panel lights are turned off.
- (5) In this position, the instrument panel lights are the brightest.

Your vehicle has a system to automatically dim the instrument panel lights when the ignition switch is in the "ON" position and the lighting switch is either (a) turned to the second or third position, or (b) turned to the "AUTO" position and it is dark around the light sensor. The level of brightness depends on the position of the brightness control knob (3).

To reduce the brightness and activate the automatic dimming feature, turn the knob (3) counterclockwise. When the knob (3) is turned counterclockwise to position (4), the

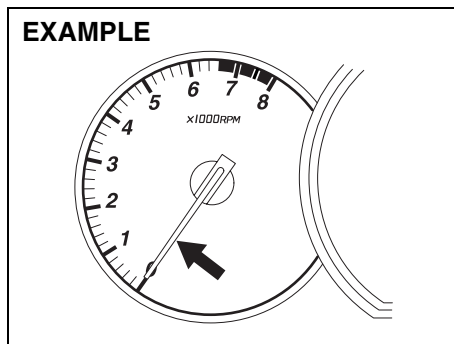
## INSTRUMENT PANEL

meter brightness becomes dimmest and the other instrument panel lights are turned off.

To brighten the instrument panel lights, turn the knob (3) clockwise.

To cancel the automatic dimming feature and maintain full brightness, turn the knob (3) clockwise to position (5).

### Tachometer



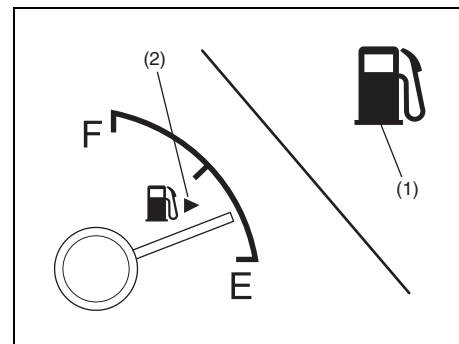
64J051

The tachometer indicates engine speed in revolutions per minute.

#### CAUTION

**Never drive with the engine speed indicator in the red zone or severe engine damage can result.**

### Fuel Gauge



64J052

This gauge gives an approximate indication of the amount of fuel in the fuel tank. "F" stands for full and "E" stands for empty. If the indicator gets off the graduation of "E" (not character "E"), refill the tank as soon as possible.

#### NOTE:

*The indicator moves a little depending on road conditions (for example, slope or curve) and driving conditions because of fuel moving in the tank.*

If the low fuel warning light (1) comes on, fill the fuel tank immediately.



**CAUTION**

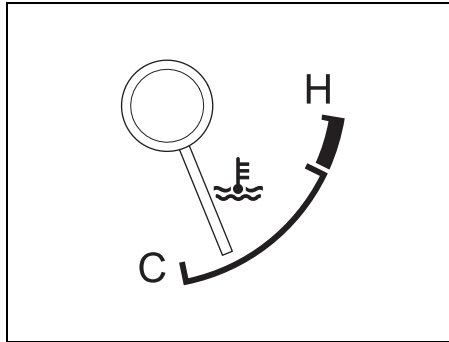
**Avoid driving with an extremely low fuel level. Running out of fuel could cause the engine to misfire, damaging the catalytic converter.**

**NOTE:**

*The activation point of the low fuel warning light (1) varies depending on road conditions (for example, slope or curve) and driving conditions because of fuel moving in the tank.*

The mark (2) indicates that the fuel filler door is located on the right side of the vehicle.

**Temperature Gauge**



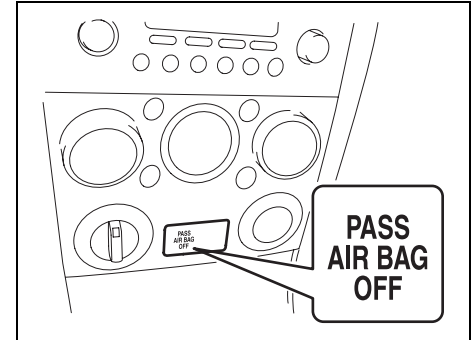
64J053

When the ignition switch is in the “ON” position, this gauge indicates the engine coolant temperature. Under normal driving conditions, the indicator should stay within the normal, acceptable temperature range between “H” and “C”. If the indicator goes outside this range and approaches “H”, overheating is indicated. Follow the instructions in the “If the Engine Overheats” of “Emergency Remedies” section.

**CAUTION**

**Continuing to drive the vehicle when engine overheating is indicated can result in severe engine damage.**

**“PASS AIR BAG OFF” Indicator**



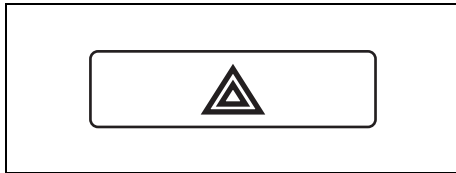
66J247

The “PASS AIR BAG OFF” indicator is located on the center of the instrument panel. When the ignition switch is turned to the “ON” position, this indicator comes on for several seconds to let you know the indicator is working.

While this indicator is turning on, the front passenger’s front air bag and seat belt pretensioner will be disabled.

For details about the front passenger sensing system, refer to “Supplemental Restraint System (air bags)” in the “BEFORE DRIVING” section.

### Hazard Warning Switch

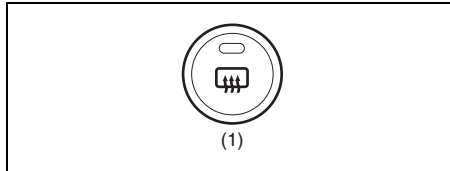


64J054

Push in the hazard warning switch to activate the hazard warning lights. All four turn signal lights and both turn signal indicators will flash simultaneously. To turn off the lights, push the switch again.

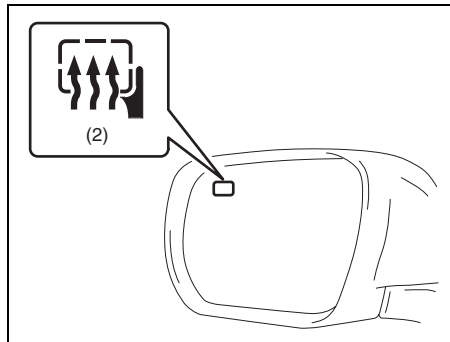
Use the hazard warning lights to warn other traffic during emergency parking or when your vehicle could otherwise become a traffic hazard.

### Rear Window Defroster and Outside Rearview Mirrors Defroster (if equipped) Switch



66J248

When the rear window is fogged, push this switch to clear the window.



64J258

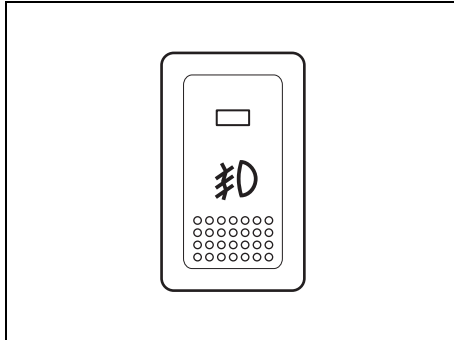
If the outside rearview mirror has the mark (2), it is also equipped with the outside rearview mirrors defroster. When you push the switch (1), both the outside rearview mirrors defroster and the rear window defroster will operate simultaneously.

An indicator light will be lit when the defroster is on. The defroster will only work when the engine is running. To turn off the defroster, push the switch again.

#### CAUTION

**The rear window defroster and the outside rearview mirrors use a large amount of electricity. Be sure to turn off the defroster after the window has become clear.**

## Front Fog Light Switch (if equipped)

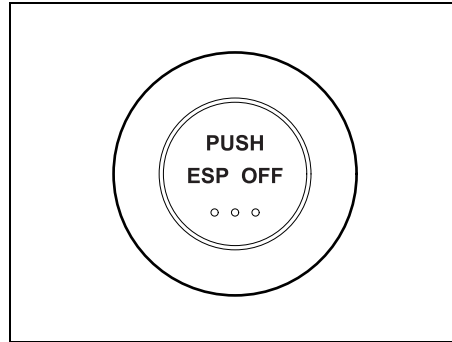


64J058

The front fog light comes on when the fog light switch is pushed in with:

- the lighting switch turned to the third position and the beams set to the low beam position, or
- the auto-on headlight system on and the beams set to the low beam position.

## “ESP OFF” Switch



66J039

ESP® is a registered trademark of DaimlerChrysler AG.

The “ESP OFF” switch is located on the center of the instrument panel. You can turn the ESP® systems (other than ABS) on or off using this switch.

To turn off the ESP® systems (other than ABS), push and hold the “ESP OFF” switch until the “ESP OFF” indicator light comes on.

To turn on all of the ESP® systems, push the “ESP OFF” switch again. The “ESP OFF” indicator light will go out.

### NOTE:

- If the vehicle speed is greater than approximately 30 km/h (19 mph), the

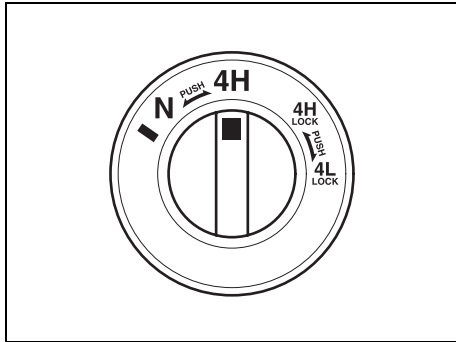
ESP® systems (other than ABS) will turn on automatically.

- If the transfer switch (if equipped) is turned to the “4L LOCK” position, the ESP® systems (other than ABS) will be canceled automatically.
- If the ESP® systems operates continuously, such as when driving on slippery roads, the traction control functions of the ESP® systems may be canceled temporarily to avoid overheating the brake pads. After a short period of time, the ESP® systems (other than ABS) will turn on automatically and the “ESP OFF” indicator light will go out.

For details of the ESP® systems, refer to “Electronic Stability Program (ESP®)” in the “OPERATING YOUR VEHICLE” section.

## INSTRUMENT PANEL

### Transfer Switch (if equipped)

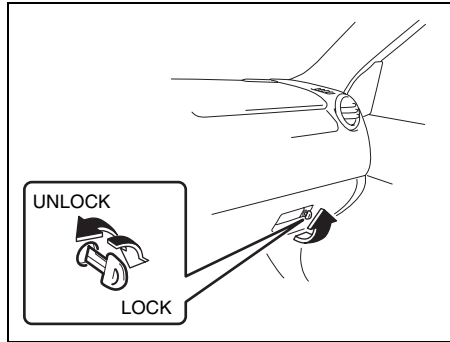


66J168

The transfer switch is located on the center of the instrument panel.

For details on how to use this switch, refer to "Using the Transfer Switch" in the "OPERATING YOUR VEHICLE" section.

### Glove Box



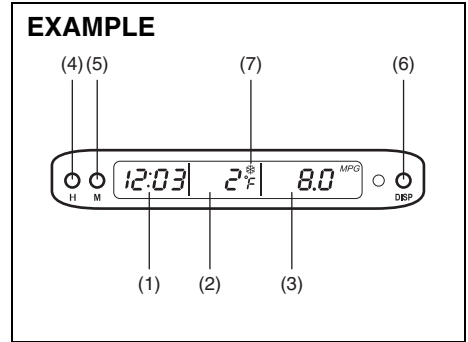
64J065

To open the glove box, pull the latch lever. To close it, push the lid until it latches securely. If a lock is equipped on the latch lever, lock the glove box by inserting the key and turning it clockwise and unlock the glove box by turning the key counterclockwise.

#### **WARNING**

**Never drive with the glove box lid open. It could cause injury if an accident occurs.**

### Information Display



66J198

- (1) Clock
- (2) Thermometer
- (3) Instantaneous fuel consumption/Average fuel consumption/Driving range
- (4) "H" button
- (5) "M" button
- (6) "DISP" button
- (7) Freezing mark

**Clock (1)**

The clock is shown when the ignition switch is in the “ACC” or “ON” position.

To set the clock, follow the instructions below.

- To set the hour display, push the “H” button (4) repeatedly to advance the hour display. To advance the hour display quickly, hold in the “H” button (4) for about 1 second and continue holding.
- To set the minute display, push the “M” button (5) repeatedly to advance the minute display. To advance the minute display quickly, hold in the “M” button (5) for about 1 second and continue holding.

**Thermometer (2)**

The thermometer shows the outside temperature when the ignition switch is in the “ON” position.

If the outside temperature nears freezing, the mark (7) will come on when the display shows the outside temperature.

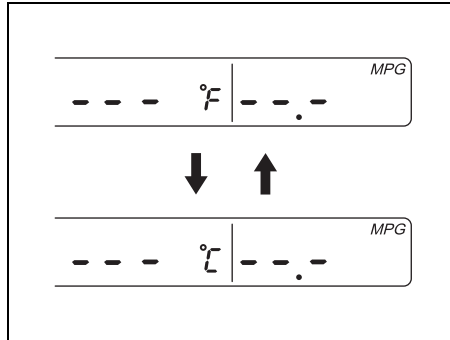
**NOTE:**

*The thermometer will not indicate the actual outside temperature when driving at low speed, or when stopped.*

You can change the unit indication of the thermometer between °F and °C.

To change the indication, follow the instructions below.

- 1) If the fuel consumption/driving range display is blank, push the “DISP” button (6) to turn on the display.
- 2) Turn the ignition switch to the “LOCK” position.
- 3) Turn the ignition switch to the “ACC” or “ON” position while holding in the “DISP” button (6).  
The unit display of the thermometer will blink.



66J199

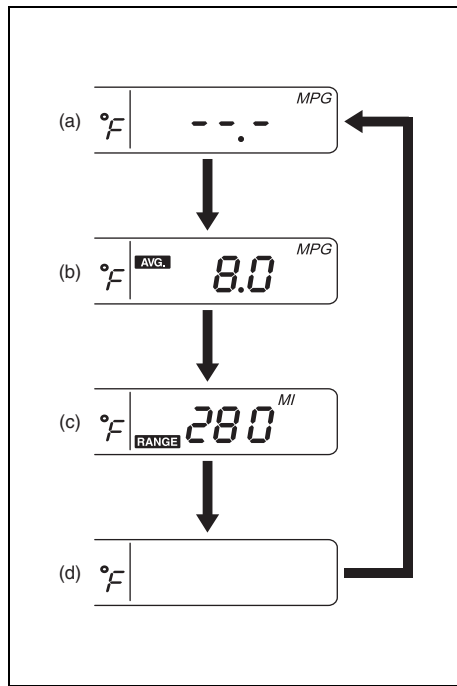
- 4) Push the “DISP” button (6) quickly to change the indication between °F and °C as shown in the illustration.
- 5) Hold in the “DISP” button (6) for more than 2 seconds, and the unit indication will stop blinking.  
If you don’t push the “DISP” button (6) within about 8 seconds after the unit display starts blinking, the unit display will automatically stop blinking.

**NOTE:**

*The unit indication of the thermometer can not be changed when the fuel consumption/driving range display is blank. Refer to “Fuel Consumption and Driving Range (3)” in this section.*

**Fuel Consumption and Driving Range (3)**

This display can be changed to show instantaneous fuel consumption, average fuel consumption, driving range. Also, the display of fuel consumption can be turned off if you desire.



66J200

Every time you push the “DISP” button (6), the display will be changed among the following four displays.

- Instantaneous fuel consumption
- Average fuel consumption
- Driving range
- No display

## Instantaneous fuel consumption (a)

If you selected instantaneous fuel consumption the last time you drove the vehicle, the display indicates “---” when the ignition switch is turned to the “ACC” or “ON” position. Unless the vehicle is moving, the display will indicate “---”.

## Average fuel consumption (b)

If you selected average fuel consumption the last time you drove the vehicle, the display shows the last value of average fuel consumption when the ignition switch is turned to the “ACC” or “ON” position. Unless you reset the value of average fuel consumption, the display will show the value of average fuel consumption which includes average fuel consumption during previous driving.

To reset the value of average fuel consumption, hold in the “DISP” button (6) for more than 2 seconds when the display shows an average fuel consumption value. The display will indicate “---” and then will show a new average fuel consumption value after driving for a short time.

## Driving range (c)

If you selected driving range the last time you drove the vehicle, the display shows “---” for a few seconds and then shows the current driving range when the ignition switch is turned to the “ON” position.

The driving range shown in the display is the approximate distance you can drive

until the fuel gauge indicates “E” based a current driving conditions.

When the remaining fuel in fuel tank reaches a low level, the display “---” will appear.

If the low fuel warning light comes on, fill the fuel tank immediately regardless of the value of driving range shown in the display.

As the driving range after refueling is calculated based on the last driving condition, the value is different each time you refuel.

### NOTE:

- When you reconnect the negative (–) terminal to the battery, the value of driving range will be shown after driving for a while.
- For new vehicle with low mileage, the driving range may not be shown promptly in the display when beginning to drive. The driving range will be shown after a while.

### NOTE:

The values of fuel consumption and driving range shown in the display are affected by conditions such as the following;

- road condition
- surrounding traffic condition
- driving condition
- vehicle condition
- when the malfunction indicator light comes on or blinks

## Unit indication of fuel consumption and driving range

You can change the unit indication of fuel consumption when selecting instantaneous fuel consumption or average fuel consumption in the display.

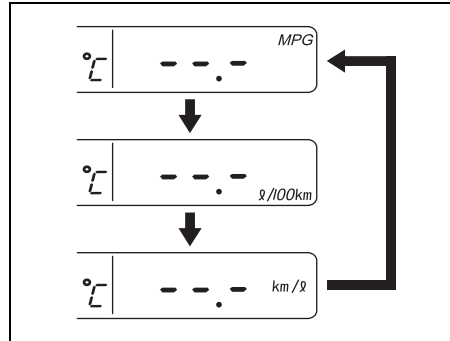
You can also change the unit indication of driving range when selecting driving range in the display.

To change the unit indication in the display, follow the instructions below.

You should operate the display before the vehicle moves.

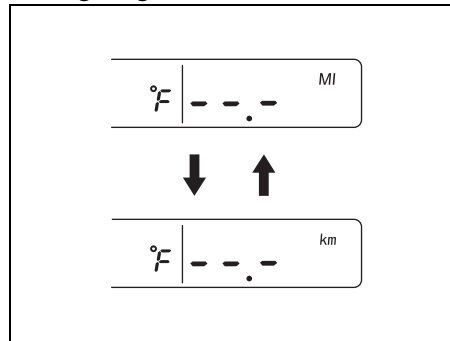
- 1) If the fuel consumption/driving range display is blank, push the “DISP” button (6) to turn on the display.
- 2) Turn the ignition switch to the “LOCK” position.
- 3) Turn the ignition switch to the “ACC” or “ON” position while holding in the “DISP” button (6). The unit display of the thermometer will blink.
- 4) Push the “M” button (5), and the unit display of fuel consumption or driving range will blink.

## Fuel consumption



66J201

## Driving range



66J202

- 5) Push the “DISP” button (6) quickly to change the display as shown in the above illustrations.

- 6) Push the “DISP” button (6) for more than 2 seconds, and the unit display will stop blinking and the display will stay on. If you don’t push the “DISP” button (6) within about 8 seconds, the unit display will automatically stop blinking and the display will stay on.

### NOTE:

The unit indication of the fuel consumption or driving range can not be changed when the fuel consumption/driving range display is blank.

### NOTE:

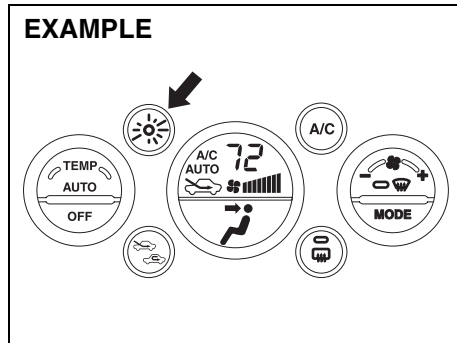
“MPG” is based on US gallons.

### NOTE:

When you reconnect the negative (–) terminal to the battery, the information display will be reinitialized. Readjust the display. If you select driving range, the display will be shown after driving for a while.

## INSTRUMENT PANEL

### Theft Deterrent Light

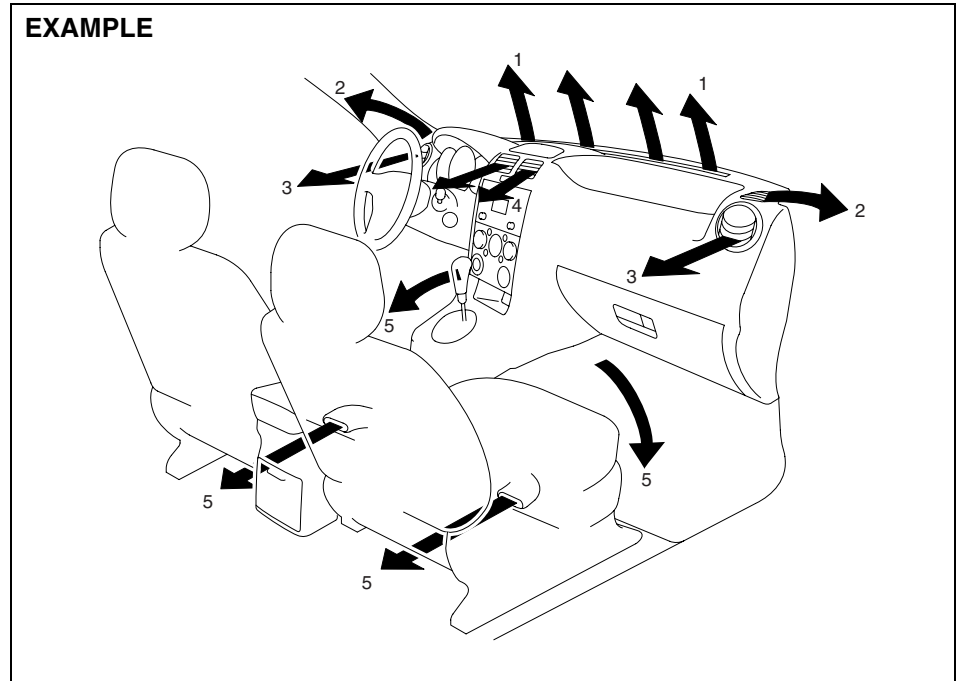


66J249

This light will blink with the ignition switch in the "OFF" or "ACC" position. The blinking light is intended to deter theft by leading others to believe that the vehicle is equipped with a security system.

### Automatic Heating and Air Conditioning System (Climate Control)

#### Air Outlet (front)

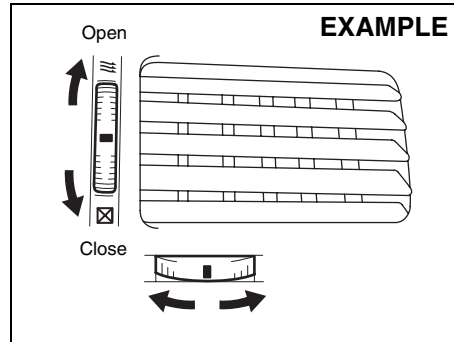


66J250



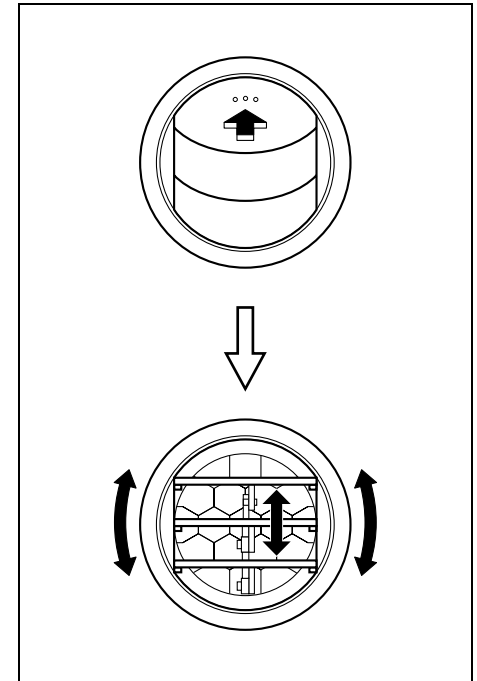
1. Windshield defroster outlet
2. Side defroster outlet
3. Side outlet
4. Center outlet
5. Floor outlet

## Center outlet



64J199

## Side outlet

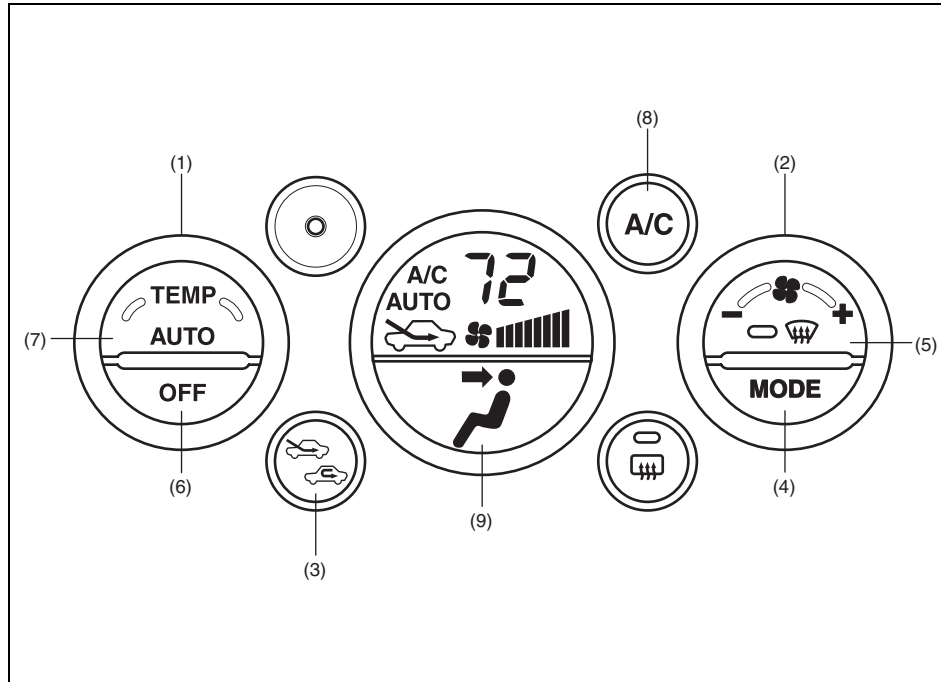


63J045

When "Open", air comes out from the side outlets regardless of the air flow selector position.

# INSTRUMENT PANEL

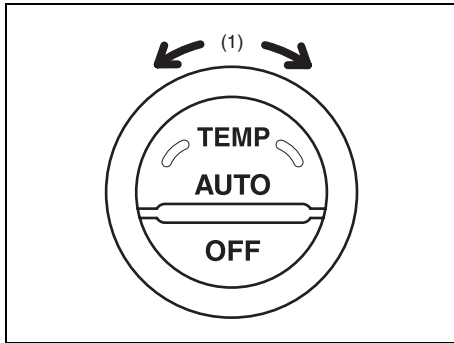
## Description of Controls



- (1) Temperature selector
- (2) Blower speed selector
- (3) Air intake selector
- (4) Air flow selector
- (5) Defrost switch
- (6) "OFF" switch
- (7) "AUTO" switch
- (8) Air conditioning switch
- (9) LCD display

66J234

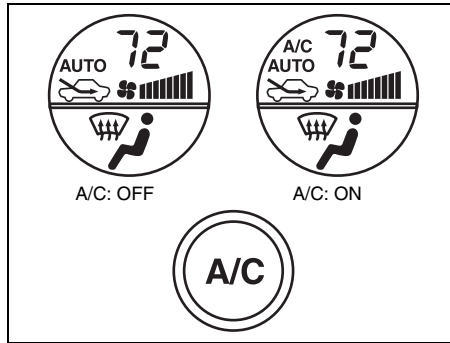
**Temperature selector (1)**



66J235

Turn this selector to adjust the temperature.

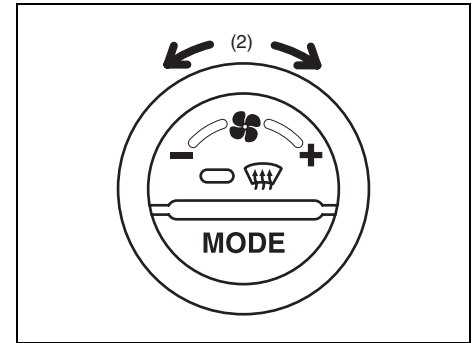
**Air conditioning switch (8)**



66J236

This switch is used to turn on and off the air conditioning system. To turn on the air conditioning system, push in the switch and "A/C" will appear on the LCD display. To turn off the air conditioning system, push in the switch again and "A/C" will go off.

**Blower speed selector (2)**



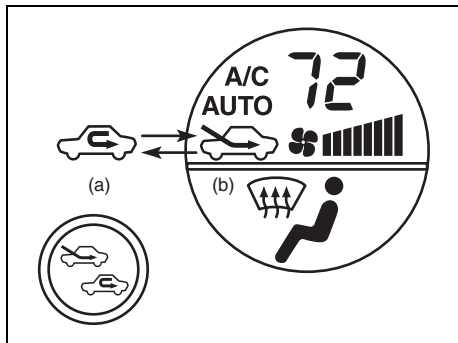
66J237

This selector is used to turn on the blower and to select blower speed.

If the "AUTO" switch (7) is pushed, the blower speed will vary automatically as the climate control system maintains the selected temperature.

## INSTRUMENT PANEL

### Air intake selector (3)



Push this selector to change between the following modes.

#### RECIRCULATED AIR (a)

When this mode is selected, outside air is shut off and inside air is recirculated. This mode is suitable when driving through an area with polluted air such as a tunnel, or when attempting to quickly cool down the vehicle.

#### FRESH AIR (b)

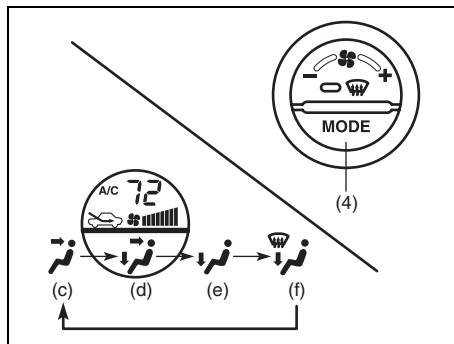
When this mode is selected, outside air is introduced.

“FRESH AIR” and “RECIRCULATED AIR” are selected alternately each time the air intake selector is pushed.

### NOTE:

If you select “RECIRCULATED AIR” for an extended period of time, the air in the vehicle can become contaminated. Therefore, you should occasionally select “FRESH AIR”.

### Air flow selector (4)

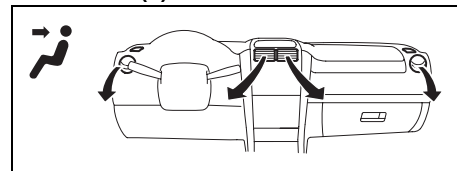


Push this selector to change among the following functions. The indication of the selected mode appears on the LCD display.

#### AUTO (7)

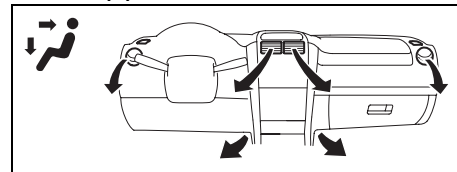
Temperature-controlled air comes out of various outlets automatically.

### Ventilation (c)



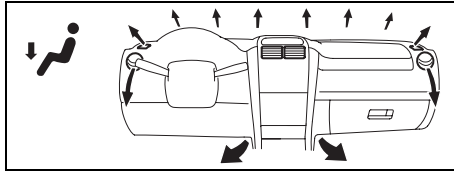
Temperature-controlled air comes out of the center and side air outlets.

### Bi-level (d)



Temperature-controlled air comes out of the floor outlets and cooler air comes out of the center and side outlets. When the temperature selector (1) is in the fully COLD position or fully HOT position, however, the air from the floor outlets and the air from the center and side outlets will be the same temperature.

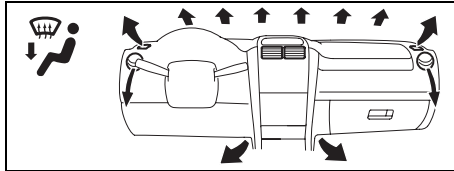
## Heat (e)



64J071

Temperature-controlled air comes out of the floor outlets and the side outlets, a small amount of air comes out of the windshield defroster outlets and the side defroster outlets.

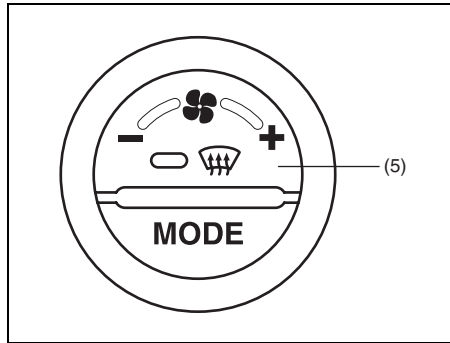
## Heat & defrost (f)



64J072

Temperature-controlled air comes out of the floor outlets, the windshield defroster outlets, the side defroster outlets and the side outlets.

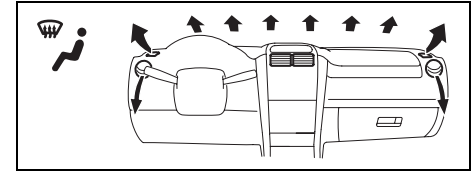
## Defrost switch (5)



66J240

Push this switch to turn on the defroster.

## Defrost



66J241

Temperature-controlled air comes out of the windshield defroster outlets, the side defroster outlets and the side outlets.

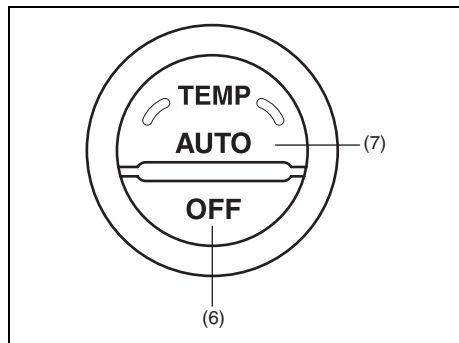
### NOTE:

*When the defrost switch (5) is pushed to turn on the defroster, the air conditioning system will come on and the "FRESH AIR" mode will be selected automatically. In very cold weather, however, the air conditioning system will not turn on.*

# INSTRUMENT PANEL

## System Operating Instructions

### Automatic operation



66J242

You can let the climate control system work automatically. To set the system for fully-automatic operation, follow the procedure below.

- 1) Set the desired temperature by turning the temperature selector (1).
- 2) Push the "AUTO" switch (7).

The blower speed selector (2), air intake selector (3), and air flow selector (4) are controlled automatically to maintain the set temperature.

You can use the air conditioning switch (8) to manually turn the air conditioner on or off according to your preference. When you turn the air conditioning switch off, the climate control system cannot lower the

inside temperature below outside temperature.

To turn the climate control system off, push the "OFF" switch (6).

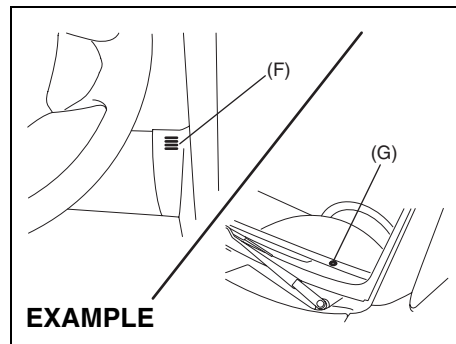
#### NOTE:

If the "AUTO" on the LCD display blinks, there is a problem in the heating system and/or air conditioning system. You should have the system inspected by an authorized SUZUKI dealer.

#### NOTE:

- To find the temperature at which you are most comfortable, start with the 22°C (72°F) setting.
- If you turn the temperature selector (1) until "HI" or "LO" appears on the LCD display, the climate control system will operate at the maximum cooling or heating and the blower will run at full speed.
- To avoid blowing cold air in cold weather or hot air in hot weather, the system will delay turning on the blower until warmed or chilled air is available.
- If your vehicle has been left in the sun with the windows closed, it will cool faster if you open the windows briefly.
- Even under the automatic operation, you can set individual selectors to the manual mode. The manually selected functions are maintained, and the other functions remain under automatic operation.

- To return the blower speed selector (2), air intake selector (3), and air flow selector (4) to automatic operation, push the "AUTO" switch.

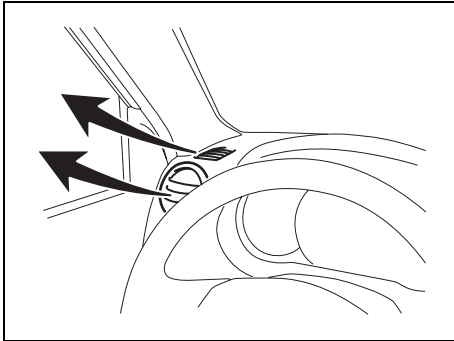


64J080

Be careful not to cover the interior temperature sensor (F) located between the steering wheel and the climate control panel, or the solar sensor (G) located at the top of the driver's side dashboard. These sensors are used by the automatic system to regulate temperature.

### Manual operation

You can manually control the climate control system. Set the selectors to the desired positions.



64J074

**NOTE:**

*If you need maximum defrosting:*

- set the defrost switch (5) to “DEFROST” (the air conditioning system will come on and the “FRESH AIR” mode will be selected automatically),
- set the blower speed selector to HIGH,
- adjust the temperature selector to the “HI” indication on the LCD display, and
- adjust the side outlets so the air blows on the side windows.

**Maintenance**

If you do not use the air conditioner for a long period, such as during winter, it may not give the best performance when you start using it again. To help maintain optimum performance and durability of your air conditioner, it needs to be run periodically. Operate the air conditioner at least once a month for one minute with the engine idling. This circulates the refrigerant and oil and helps protect the internal components.

Your air conditioner is equipped with air filters. Clean or replace them as specified in the “Maintenance Schedule” in the “INSPECTION AND MAINTENANCE” section. Have this job done by your SUZUKI dealer as the lower glove box must be lowered for this job.

**NOTE:**

*Your vehicle uses the air conditioning refrigerant HFC-134a, commonly called “R-134a”. R-134a replaced R-12 around 1993 for automotive applications. Other refrigerants are available, including recycled R-12, but only R-134a should be used in your vehicle.*

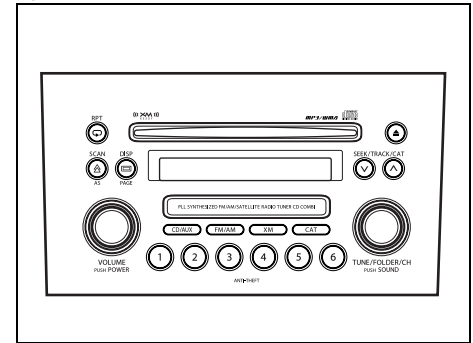
**CAUTION**

**Using the wrong refrigerant may damage your air conditioning system. Use R-134a only. Do not mix or replace the R-134a with other refrigerants.**

**Audio Systems**

There are two types of audio system as shown below:

**Type 1**

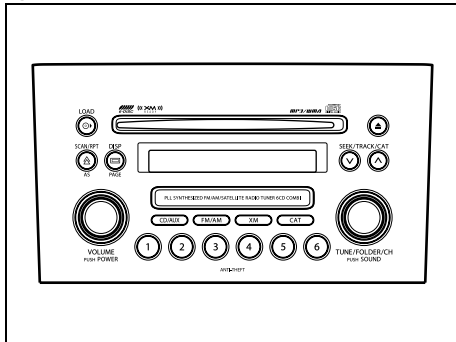


66J093

**AM/FM/XM CD PLAYER WITH CD CHANGER CONTROL**

## INSTRUMENT PANEL

### Type 2



### AM/FM/XM 6-CD PLAYER WITH CD CHANGER CONTROL

66J214

### Precautions

- When the inside of the car is very cold and the player is used soon after switching on the heater, moisture may form on the disc or the optical parts of the player and proper playback may not be possible. If moisture forms on the disc, wipe it off with a soft cloth. If moisture forms on the optical parts of the player, do not use the player for about one hour, this will allow the condensation to disappear normally.
- Driving on extremely bumpy roads which cause severe vibrations may cause sound to skip.
- This unit uses a precision mechanism. Even in the event that trouble arises, never open the case, disassemble the unit, or lubricate the rotating parts. Please bring the unit to an authorized SUZUKI dealer or a Clarion service Department.

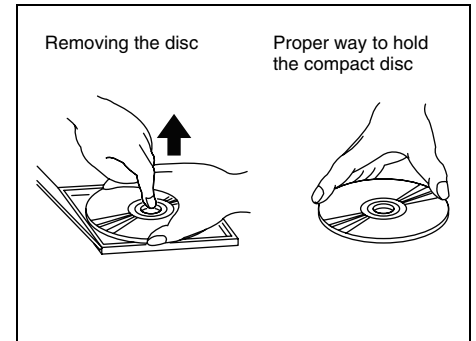
### Cautions on Handling



52D274

This unit has been designed specifically for playback of compact discs bearing the mark (A).

No other discs can be played.



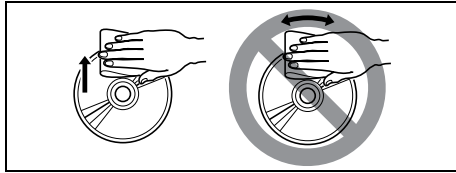
52D275

To remove the compact disc from its storage case, press down on the center of the case and lift the disc out, holding it carefully by the edges.

Always handle the compact disc by the edges.

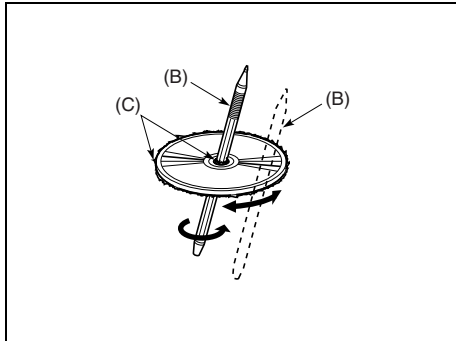


Never touch the surface.



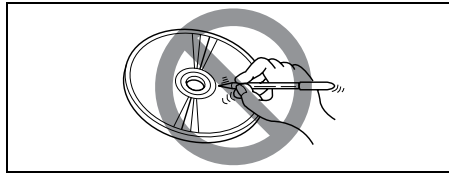
52D347

To remove fingermarks and dust, use a soft cloth, and wipe in a straight line from the center of the compact disc to the circumference.



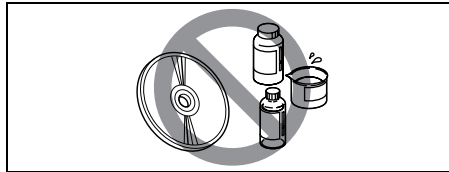
52D277

New discs may have some roughness around the edges. The unit may not work or the sound may skip if such discs are used. Use a ball-point pen (B), etc. to remove the roughness (C) from edges of the disc before insertion inside the unit.



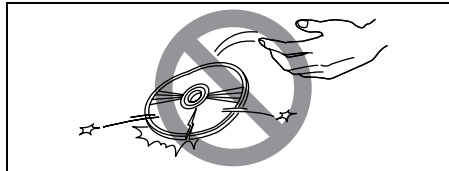
52D348

Never stick labels on the surface of the compact disc or mark the surface with a pencil or pen.



52D349

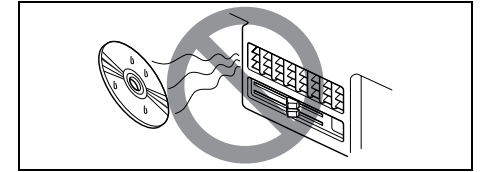
Do not use any solvents such as commercially available cleaners, anti-static spray, or thinner to clean compact discs.



52D350

Do not use compact discs that have large scratches, are misshaped, or cracked, etc. Use of such discs will cause damage or

prevent the system from operating properly.



52D351

Do not expose compact discs to direct sunlight or any heat source.

**NOTE:**

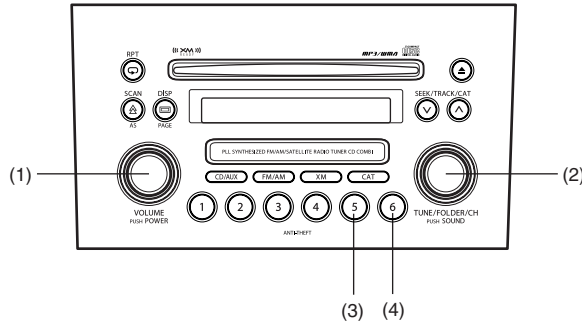
- Do not use commercially available CD protection sheets or discs equipped with stabilizers, etc. These may get caught in the internal mechanism and damage the disc.
- CD-R discs may not be able to playback in this unit due to the recording conditions.
- CD-RW discs can not playback in this unit.

# INSTRUMENT PANEL

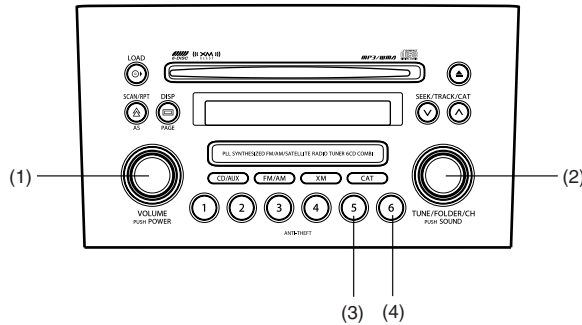
## Basic Operations

- (1) Power on/off knob  
Volume control knob
- (2) Tone/balance/fader control knob
- (3) Preset button 5
- (4) Preset button 6

### Type 1 AM/FM/XM CD PLAYER WITH CD CHANGER CONTROL



### Type 2 AM/FM/XM 6-CD PLAYER WITH CD CHANGER CONTROL



66J215

**Turning power on/off**

Press the power on/off knob (1).  
The unit starts in the function mode it was in when the power was turned off last.

**Adjusting the volume**

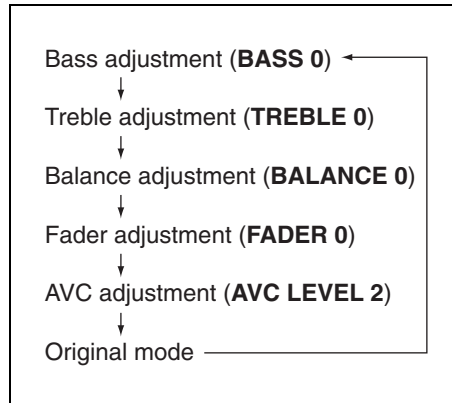
Turn the volume control knob (1).  
Turning it clockwise increases the volume; turning it counterclockwise decreases the volume.

**NOTE:**

*While driving, adjust the volume to an extent that sound and/or noise coming from outside the car can be heard.*

**Adjusting bass/treble/balance/fader**

1) Press the tone/balance/fader control knob (2).  
Each time it is pressed, sound adjustment is changed as follows:



66J224

2) Turn the tone/balance/fader control knob (2) to adjust the sound.

**Adjusting the AVC (Auto volume control)**

The Auto Volume Control (AVC) function automatically adjusts (increases/decreases) the sound volume in accordance with vehicle speed. The AVC control is provided with three selectable levels (LEVEL OFF, 1, 2, 3). The range of volume adjustment increases together with the LEVEL number,

- 1) Press the tone/balance/fader control knob (2) until the AVC adjustment mode is selected.
- 2) Turn the tone/balance/fader control knob (2) to select the desired AVC adjustment level. (Initial setting: LEVEL 2)

**Adjusting the contrast of the display**

- 1) Press the tone/balance/fader control knob (2) and preset button 5 (3), preset button 6 (4) simultaneously.
- 2) To adjust the contrast of the display, turn the power on/off knob (1).

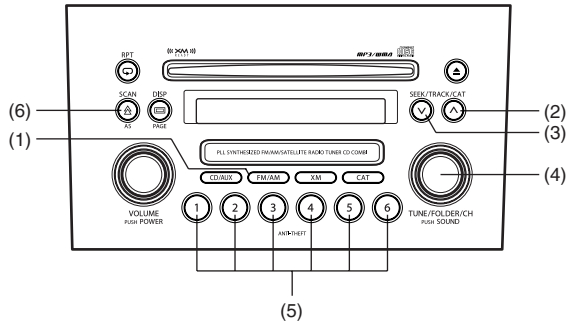
**Cancel the dimmer condition**

Each time you press the power on/off knob (1) for two seconds with the lighting switch on, the background brightness of the audio display will switch between normal and dimmed.

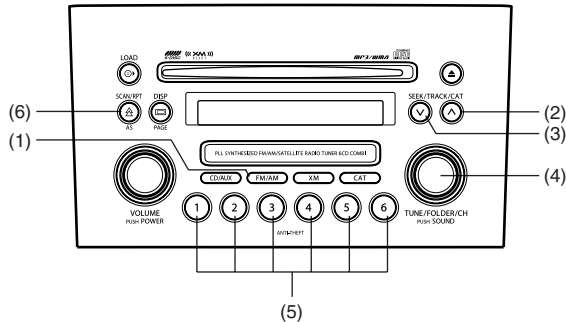
# INSTRUMENT PANEL

## Listening to the Radio

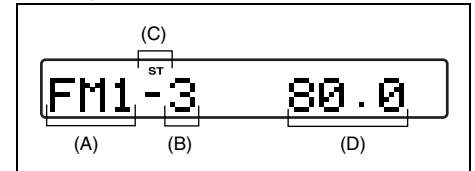
### Type 1 AM/FM/XM CD PLAYER WITH CD CHANGER CONTROL



### Type 2 AM/FM/XM 6-CD PLAYER WITH CD CHANGER CONTROL



### Display



66J097

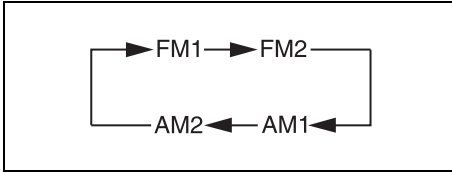
- (1) Band switch button (FM/AM)
- (2) Seek up button
- (3) Seek down button
- (4) Manual tuning knob
- (5) Preset buttons (1 to 6)
- (6) Auto store button (AS)/ Scan button (SCAN)

- (A) Band
- (B) Preset channel number
- (C) Stereo indicator
- (D) Frequency

66J216

**Selecting the reception band**

Press the band switch button (1). Each time the button is pressed, the reception band is switched as follows:



66J098

**Seek tuning**

Press the seek up button (2) or the seek down button (3). The unit stops searching for a station at a frequency where a broadcast station is available.

**Manual tuning**

Turn the manual tuning knob (4). The frequency being received is displayed.

**Preset memory**

- 1) Select the desired station.
- 2) Select the preset button (5) to which you want to store the station and press and hold the button for 2 seconds or longer.

**Auto store**

Press and hold the auto store button (6) for 2 seconds or longer. Six stations in total are automatically stored to the preset buttons (5) in sequential order, starting from the lower frequencies.

**NOTE:**

- When the auto store is performed, the station previously stored in the memory at the position is overwritten.
- When there are fewer than 6 stations that can be stored even if 2 rounds of auto store operation are performed, the stations previously stored at the remaining preset buttons (5) are not overwritten.

**Scan tuning**

- 1) Press the scan button (6). Stations are automatically sought for in a sequential order, starting from a station being currently received, and scan stops for 5 seconds at a frequency where there is a station available.
- 2) Press the scan button (6) again to stop scanning at the frequency being currently received.

**Receiving a stereo broadcast station**

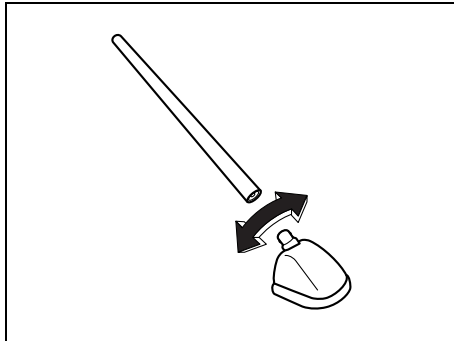
If a stereo broadcast station is received, the stereo indicator will light.

**Radio Reception**

Radio reception can be affected by environment, atmospheric conditions, or radio signal's power and distance from the station. Nearby mountains and buildings may interfere or deflect radio reception, causing poor reception. Poor reception or radio static can also be caused by electric current from overhead wires or high voltage power lines.

## INSTRUMENT PANEL

### Radio Antenna



63J055

The radio antenna on the roof is removable. To remove the antenna, turn it counterclockwise. To reinstall the antenna, turn it clockwise firmly by hand.

#### CAUTION

To avoid damage to the radio antenna:

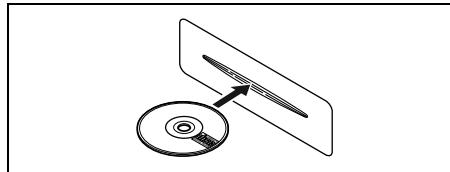
- Remove the antenna before using an automatic car wash.
- Remove the antenna when it is possible for the antenna to hit something such as a low ceiling in a parking garage or putting a car cover over your car.
- Remove the antenna before putting a car cover over your vehicle.

### Listening to a CD



52D274

- CDs or CD-ROMs carrying no mark (A) cannot be used.
- Some discs previously recorded in CD-R\CD-RW format may not be used.



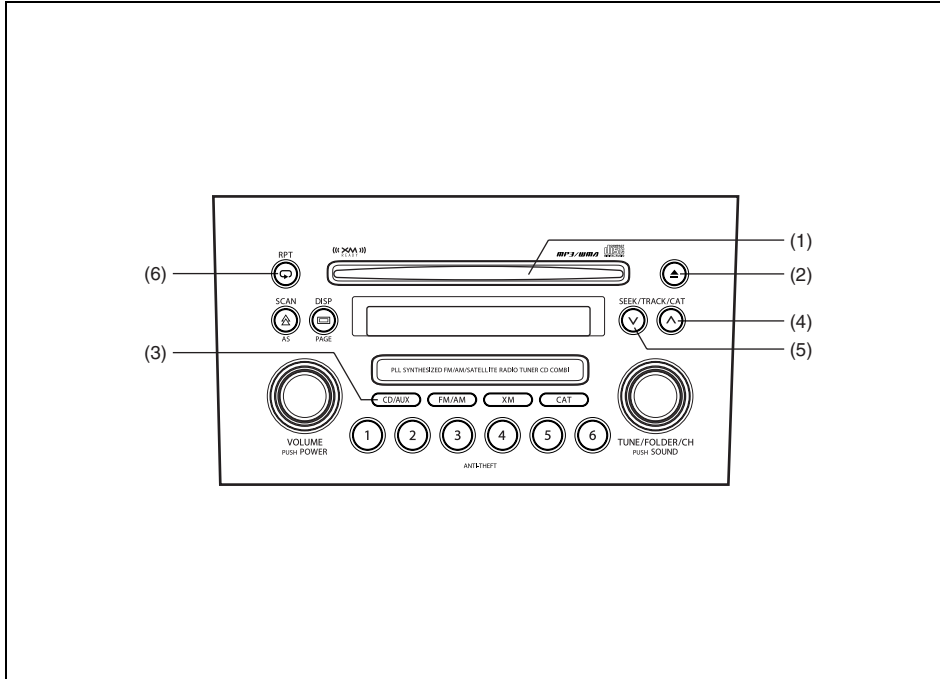
52D291

- A CD is inserted with its label facing upward.
- When there is a CD already loaded in the unit, another CD cannot be loaded at the same time. Do not use force when inserting the CD into the CD insertion slot.
- If a blank disc (non recorded CD-R) is loaded in the unit, the disc will be ejected.

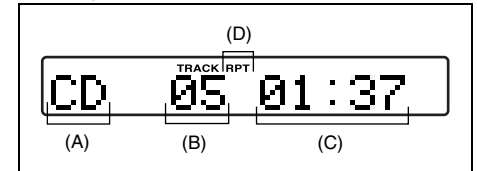
#### CAUTION

- Never insert your finger or hand into the CD insertion slot. Never insert foreign objects.
- Never insert a CD with glue coming out from adhesive tape or a rental CD label or with a trace indicating that adhesive tape or a rental CD label has been removed. This may cause the CD not to eject or result in a malfunction.

**Type 1**  
**AM/FM/XM CD PLAYER WITH CD CHANGER CONTROL (Built in CD Player)**



**Display**



66J100

- (1) CD insertion slot
- (2) CD eject button
- (3) Disc button (CD/AUX)
- (4) Track up button/Fast forward button
- (5) Track down button/Rewind button
- (6) Repeat button (RPT)

- (A) Mode indicator
- (B) Track number
- (C) Play time
- (D) Repeat indicator

66J099

## INSTRUMENT PANEL

---

### NOTE:

*About Single CDs (8 cm CDs)*

- *No adapter is required to play a single CD.*
- *A single CD is inserted from the center of the CD insertion slot.*
- *Since an ejected single CD is not automatically reloaded, be sure to remove the ejected single CD.*

### Loading a CD

Insert a CD in the CD insertion slot (1). When a CD is loaded, play starts and the CD indicator (A) lights.

### Ejecting a CD

Press the CD eject button (2). If you left a CD ejected for a period of about 15 seconds, it will be automatically drawn inside the unit. (Auto reload function)

The backup eject function:

This function allows you to eject a CD with the power turned off by pressing the CD eject button (2).

<b>CAUTION</b>
<b>If you forcefully try to push an ejected CD inside the unit before auto reloading, the disc surface might be scratched.</b>

### Listening to a CD

When a CD is inserted, it is automatically played back.

When a CD is already inside the unit, press the disc button (3) to play back the CD. When a CD is inside the unit, the CD indicator (A) is lit on the display unit.

### Selecting a track

- Press the track up button (4) to listen to the next track.
- Press the track down button (5) twice to listen to the previous track. When the track down button (5) is pressed once, the track being currently played will return to the beginning.

### Fast forwarding/Rewinding a track

- Hold in the fast forward button (4) to advance a track rapidly.
- Hold in the rewind button (5) to rewind a track.

### Repeat play

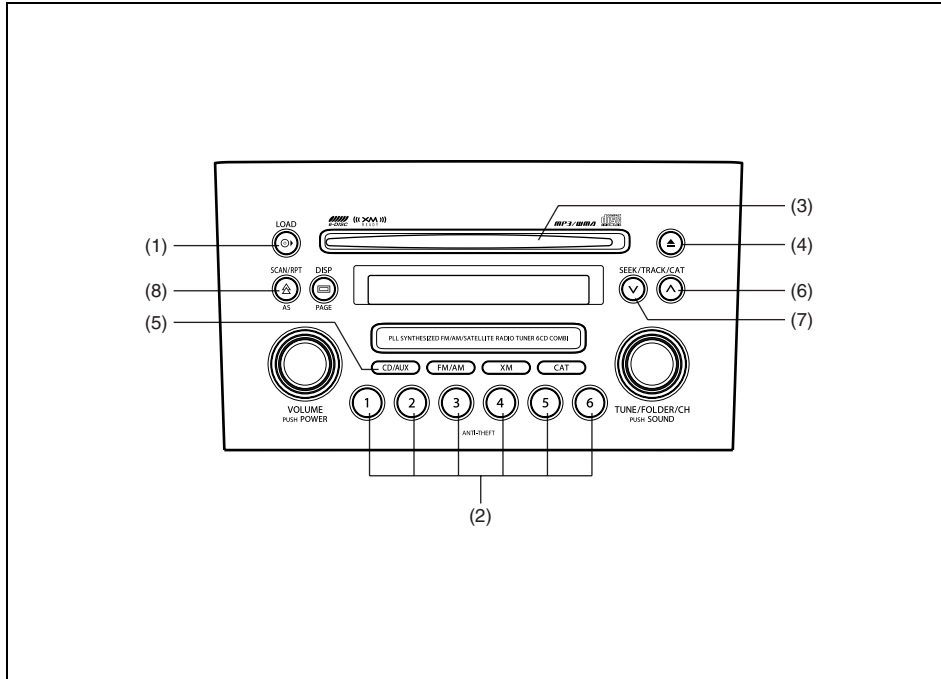
Press the repeat button (6).

The repeat indicator (D) lights and the track currently being played is played repeatedly.

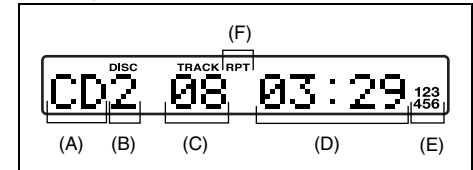
Press the repeat button (6) again to cancel repeat play.



**Type 2**  
**AM/FM/XM 6-CD PLAYER WITH CD CHANGER CONTROL (Built-in CD Changer)**



**Display**



66J102

- (1) Load button (LOAD)
- (2) Disc select buttons (1 to 6)
- (3) CD insertion slot
- (4) CD eject button
- (5) Disc button (CD/AUX)
- (6) Track up button/Fast forward button
- (7) Track down button/Rewind button
- (8) Repeat button (RPT)

- (A) Mode indicator
- (B) Disc number
- (C) Track number
- (D) Play time
- (E) CD indicator
- (F) Repeat indicator

66J217

## INSTRUMENT PANEL

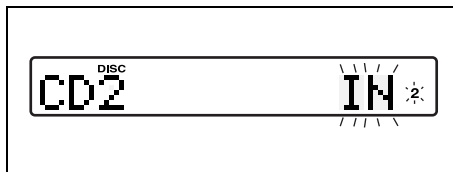
### NOTE:

#### About Single CDs (8 cm CDs)

- Since the unit is not compatible with a single CD, do not load it into the unit.
- Keep in mind the fact that a single CD cannot be played even using a single CD adaptor for the unit.
- When a single CD is loaded into the unit accidentally, it will be ejected immediately. Please be sure to remove it. If you forcefully try to push it into the unit without removing it, the CD cannot be ejected. This will result in a damage to the mechanism. Please never do this.

### Loading one CD

- 1) Press the load button (1), then press one of the disc select buttons (2) that corresponds to the slot into which you want to load a CD.



66J143

Both the indication “In” and the selected disc number in the CD indicator will blink for about 15 seconds.

- 2) Load the CD into the CD insertion slot (3). When the CD is loaded, play starts. The disk number in the CD indicator will light.

### CAUTION

**You can load a CD only while the indication “In” is blinking for about 15 seconds. During that period, the shutter located in the depth of the CD insertion slot (3) is opened. After 15 seconds time has elapsed, the indication “In” disappears from the display and the shutter closes, making it impossible to load a CD. If you try to load the CD with the shutter closed, the CD may damage the shutter. Never do this.**

### Loading multiple CDs

- 1) Press the load button (1) for 2 seconds or longer. The indication “CD ALL” appears in the display, and then the indication “In” and a disc number in the CD indicator will blink for about 15 seconds.
- 2) Load a CD into the CD insertion slot (3).
- 3) The indication “In” and the next disc number will blink in the display. Load the next CD.
- 4) After loading the required number of CD’s, press any disc select button (2) to select the desired CD to listen to. If no select button is pressed, play will start from the first loaded CD.

Only the numbers in the CD indicator that correspond to the loaded slots will light.

### Ejecting one CD

- 1) Select the CD you want to remove with the disc select buttons (2).
- 2) Press the CD eject button (4). If you leave the ejected CD without removing it, it will be drawn into the unit automatically after about 15 seconds. (Auto reload function)

The buck up eject mechanism:

This function allows you to eject the CD loaded in the unit with the unit turned off only by pressing the CD eject button (4).

**Ejecting all the CDs**

Press the CD eject button (4) for 2 seconds or longer. All the CDs will be ejected from the unit in a sequential manner.

- Please prepare a location where removed CDs can be stored.
- If you leave the ejected CD without removing it, it will be drawn into the unit automatically after about 15 seconds. (Auto reload function)

The buck up eject mechanism:

This function allows you to eject the CD loaded in the unit with the unit turned off only by pressing the CD eject button (4).

**CAUTION**

**If you try to push an ejected CD inside the unit forcibly before auto reloading, the disc surface might be scratched.**

**Listening to a CD**

- 1) When a CD is inserted, it is automatically played back.  
When a CD is already inside the unit, press the disc button (5) to play back the CD. When a CD is inside the unit, the CD indicator (A) is lit on the display unit.
- 2) If you want to play another CD, select it with the disc select buttons (2). Play starts from the point on the disc that the unit played last (Last position memory).

**Selecting a track**

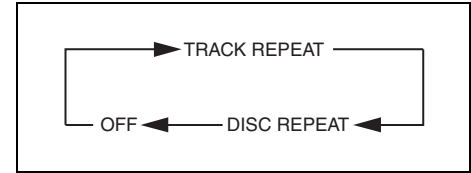
- Press the track up button (6) to listen to the next track.
- Press the track down button (7) twice to listen to the previous track.  
When the track down button (7) is pressed once, the track being currently played will return to the beginning.

**Fast forwarding/Rewinding a track**

- Hold in the fast forward button (6) to advance a track rapidly.
- Hold in the rewind button (7) to rewind a track.

**Repeat play**

Press the repeat button (8). Each time the button is pressed, repeat play mode changes as follows:



66J144

**NOTE:**

*This operation should be performed within 2 seconds.*

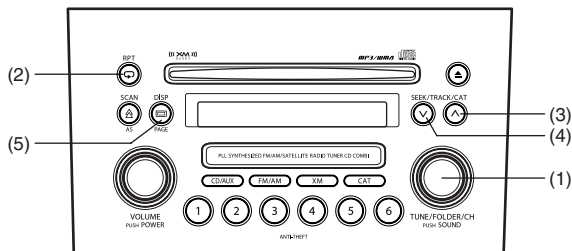
To cancel repeat play, press the repeat button (8) several times to change the repeat play mode to OFF.

- **TRACK REPEAT**  
The indication "TRACK RPT" appears in the display for 2 seconds and then the repeat indicator (F) lights. The track currently being played is played repeatedly.
- **DISC REPEAT**  
The indication "DISC RPT" appears in the display for 2 seconds and then the repeat indicator (F) lights. When all the tracks on the disc currently being played finish playing, play starts again at the beginning of the disc.

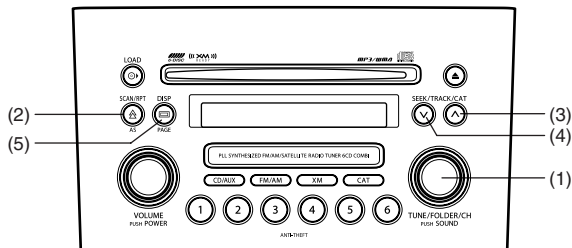
# INSTRUMENT PANEL

## Listening to an MP3/WMA Disc

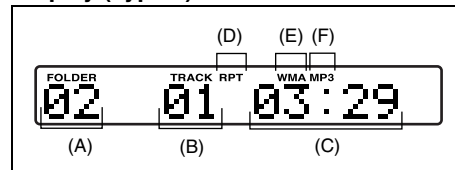
### Type 1 AM/FM/XM CD PLAYER WITH CD CHANGER CONTROL



### Type 2 AM/FM/XM 6-CD PLAYER WITH CD CHANGER CONTROL

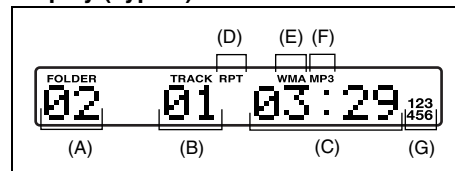


### Display (Type 1)



66J104

### Display (Type 2)



66J105

- (1) Sound control knob
- (2) Repeat button (RPT)
- (3) Track up button/Fast forward button
- (4) Track down button/Rewind button
- (5) Display button (DISP)

- (A) Folder number
- (B) Track number
- (C) Play time
- (D) Repeat indicator
- (E) WMA indicator
- (F) MP3 indicator
- (G) CD indicator

66J218

**MP3/WMA MODE**

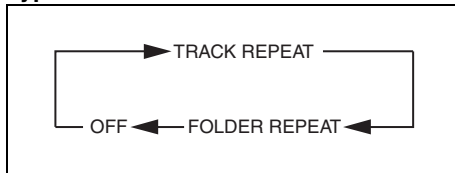
**Selecting a folder**

Turn the sound control knob (1) to select a folder.

**Repeat play**

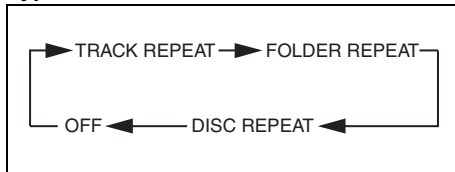
Press the repeat button (2). Each time the button is pressed, repeat play mode changes as follows:

**Type 1**



66J128

**Type 2**



66J145

**NOTE:**

*This operation should be performed within 2 seconds.*

To cancel repeat play, press the repeat button (2) several times to change the repeat play mode to OFF.

• **TRACK REPEAT**

The indication “TRACK RPT” appears in the display for 2 seconds and then the repeat indicator (D) lights.

The track currently being played is played repeatedly.

• **FOLDER REPEAT**

The indication “FOLDER RPT” appears in the display for 2 seconds and then the repeat indicator (D) lights.

All the tracks in the folder currently being played are played repeatedly.

• **DISC REPEAT**

The indication “DISC RPT” appears in the display for 2 seconds and then the repeat indicator (D) lights.

When all the tracks on the disc currently being played finish playing, play starts again at the beginning of the disc.

**Selecting a track**

• Press the track up button (3) to listen to the next track.

• Press the track down button (4) twice to listen to the previous track.

When the track down button (4) is pressed once, the track currently being played will start again at the beginning.

**Fast forwarding/Rewinding a track**

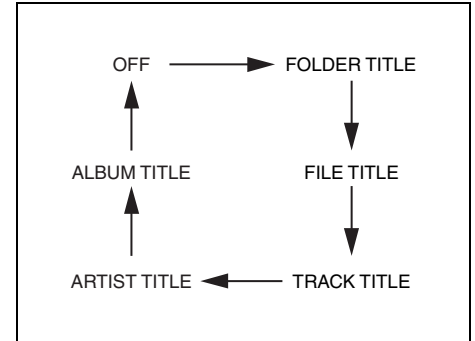
• Hold in the fast forward button (3) to advance a track rapidly.

• Hold in the rewind button (4) to rewind a track.

**Displaying CD titles**

Press the display button (5).

Each time the button is pressed, the title changes as follows:



66J146

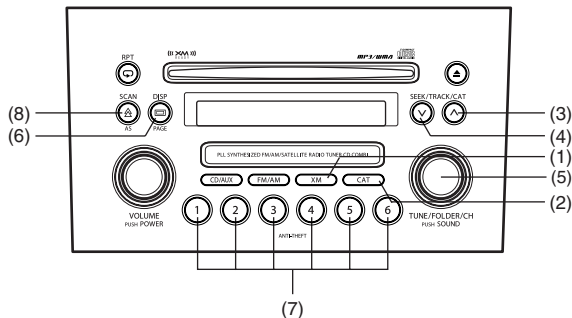
**Forwarding a title**

If there is a title with 12 letters or more, each press will show next letters in the display. (No scrolling is made.)

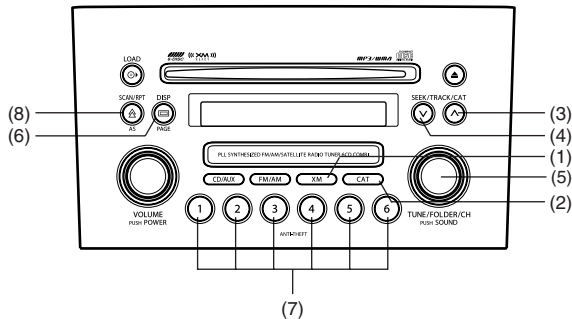
Press and hold the display button (5) for 2 seconds or longer. A title is changed.

## Listening to a XM Satellite Radio (Option)

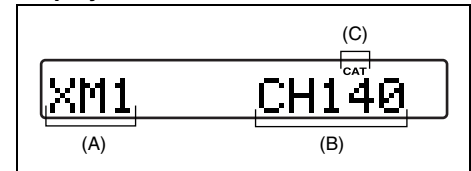
### Type 1 AM/FM/XM CD PLAYER WITH CD CHANGER CONTROL



### Type 2 AM/FM/XM 6-CD PLAYER WITH CD CHANGER CONTROL



### Display



66J107

- (1) XM button
- (2) Category button (CAT)
- (3) Seek up button
- (4) Seek down button
- (5) Manual tuning knob
- (6) Display button (DISP)
- (7) Preset button (1 to 6)
- (8) Scan button (SCAN)

- (A) Band
- (B) Channel number
- (C) Category indicator

If you want to purchase XM Satellite Radio Service, contact your SUZUKI dealer. **It is necessary to buy a special tuner to receive XM broadcasting.**

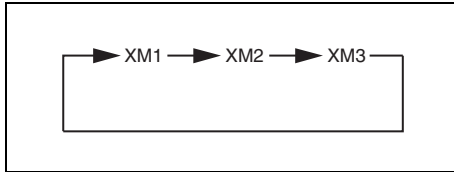
Your vehicle is capable of receiving XM Satellite Radio anywhere in the United States except Hawaii, Alaska, and Canada.

66J219

**XM MODE**

**Selecting a band**

Press the XM button (1). Each time the button is pressed, the band changes in the following order.



66J129

**Selecting a category**

Press the seek up button (3) or the seek down button (4). The category is changed.

**Turning the category function on/off**

Press and hold the category button (2) for 2 seconds or longer, and "CATEGORY ON" appears on the display, the CAT indicator (c) lights up and the CATEGORY function is activated.

Press and hold the category button (2) for 2 seconds or longer again, and "CATEGORY OFF" appears on the display and the CAT indicator turns off, indicating that the CATEGORY function has been turned off.

**NOTE:**

*The first time you use the radio, turn the category function on.*

**Selecting a category**

Press the seek up button (3) or seek down button (4) to select a category.

**Displaying the category**

Press the category button (2) to have the currently selected category appear on the display.

**Selecting a channel**

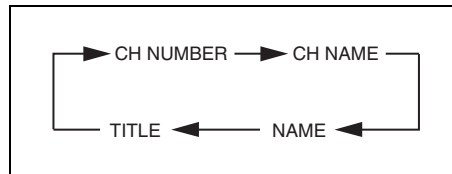
Turn the manual tuning knob (5) to select a channel.

**NOTE:**

*When the category function is on, only those channels included in the selected category can be selected.*

**Selecting the item to be displayed**

Press the display button (6). Each time the button is pressed, the item on display changes in the following order.



66J130

**Preset memory**

- 1) Select the desired station.
- 2) Select the preset button (7) to which you want to store the station and press

and hold the button for 2 seconds or longer.

**Scan tuning**

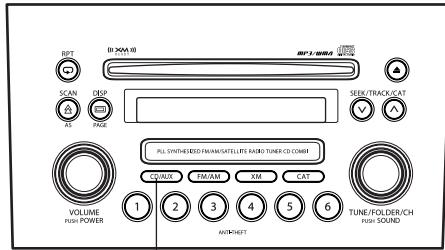
- 1) Press the scan button (8). Stations are automatically searched for in a sequential order, starting from the station being currently received, and scan tuning stops for 5 seconds at the frequency where there is a station available.
- 2) Press the scan button (8) again to stop scanning at the frequency currently being received.

**Satellite Radio Reception**

Satellite radio receives signals from two satellites in orbit over the equator. Therefore, satellite radio reception can be interrupted when there are objects south of your vehicle. To help compensate for this, ground-based repeaters are placed in major metropolitan areas, but depending on the geographic situation (for example, if mountains or buildings are on the south side of your vehicle), you may experience reception problems.

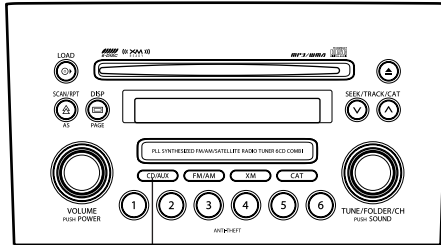
## Listening to Audio for AUX (Option)

### Type 1 AM/FM/XM CD PLAYER WITH CD CHANGER CONTROL



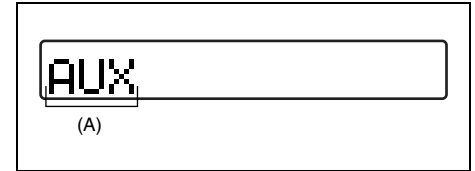
(1)

### Type 2 AM/FM/XM 6-CD PLAYER WITH CD CHANGER CONTROL



(1)

### Display



66J221

(1) Aux button (CD/AUX)

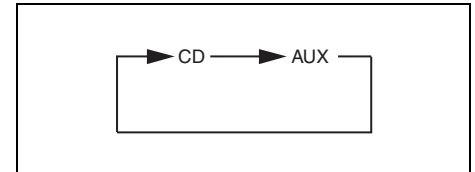
(A) Mode indicator

### Aux function

This system has an external input terminal so you can listen to audio from an external device connected to this unit.

Press the aux button (1).

Each time the button is pressed, the selected mode is switched as follows:

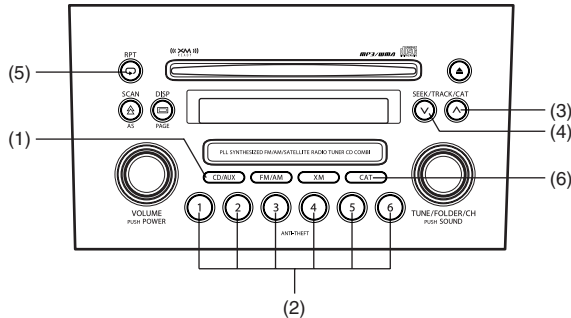


66J220

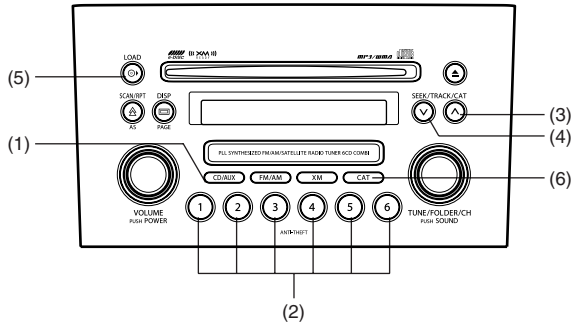


## Listening to a CD from an External CD Changer (Option)

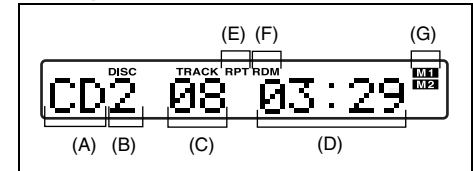
### Type 1 AM/FM/XM CD PLAYER WITH CD CHANGER CONTROL



### Type 2 AM/FM/XM 6-CD PLAYER WITH CD CHANGER CONTROL



### Display



66J113

- (1) Disc button (CD/AUX)
- (2) Disc select buttons (1 to 6)
- (3) Track up button/Fast forward button
- (4) Track down button/Rewind button
- (5) Repeat button (RPT)
- (6) Category button (CAT)

- (A) Mode indicator
- (B) Disc number
- (C) Track number
- (D) Play time
- (E) Repeat indicator
- (F) Random indicator
- (G) CD changer number

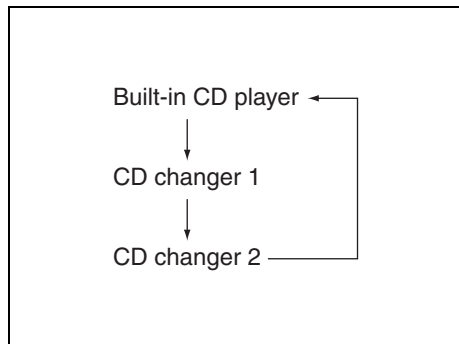
66J222

## INSTRUMENT PANEL

### Selecting a CD changer mode

Press the disc button (1).

Each time the button is pressed, the selected CD plays as follows:



52D300

- When only one CD changer is connected to this unit, CD changer 2 is skipped.
- When no CD is loaded in the built-in CD player, the built-in CD player is skipped.

### Selecting a disc

Press the disc select button (2) corresponding to the disc number you want to listen to.

Play starts from the first track on the disc. If a disc number having no disc is pressed, the selection will be invalid.

### Selecting a track

- Press the track up button (3) to listen to the next track.
- Press the track down button (4) twice to listen to the previous track.

When the track down button (4) is pressed once, the track currently being played will start again at the beginning.

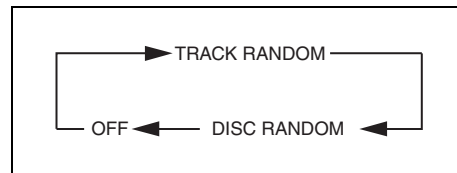
### Fast forwarding/Rewinding a track

- Hold in the fast forward button (3) to advance a track rapidly.
- Hold in the rewind button (4) to rewind a track.

### Random play

Press the category button (6).

Each time the button is pressed, the mode changes in the following order.



66J131

#### NOTE:

*This operation should be performed within 2 seconds.*

To cancel random play, press the category button (6) several times to change the random play mode to OFF.

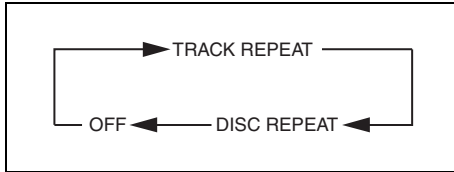
- **TRACK RANDOM**  
The tracks in the disc that is loaded are played at random.
- **DISC RANDOM**  
The tracks in all discs are played at random.

#### NOTE:

*The random play can be operated with the External CD Changer (Option) only.*

### Repeat play

Press the repeat button (5).  
Each time the button is pressed, repeat play mode changes as follows:



66J144

### NOTE:

*This operation should be performed within 2 seconds.*

To cancel repeat play, press the repeat button (5) several times to change the repeat play mode to OFF.

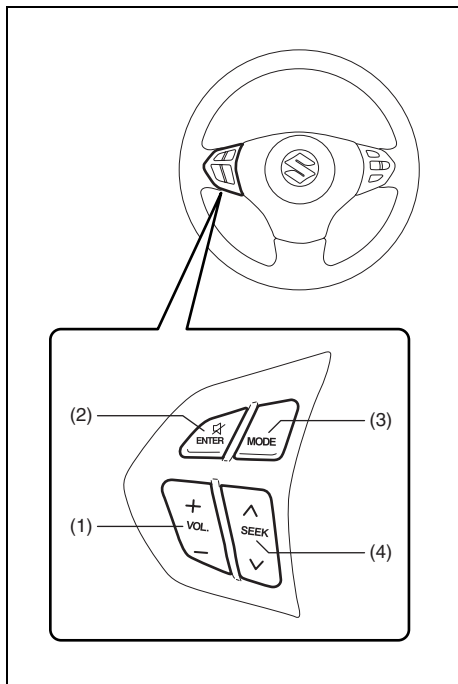
- **TRACK REPEAT**

The indication "TRACK RPT" appears in the display for 2 seconds and then the repeat indicator (E) lights. The track being currently played is played repeatedly.

- **DISC REPEAT**

The indication "DISC RPT" appears in the display for 2 seconds and then the repeat indicator (E) lights. When all the tracks on a disc being currently played finish playing, play starts again at the beginning of the disc.

### Remote Audio Controls (if equipped)



You can control basic functions of the audio system with the switches on the steering wheel.

To control the volume:

- To increase the volume, push the upper part of the switch (1). The volume continues to increase until you release the switch.
- To decrease the volume, push the lower part of the switch (1). The volume continues to decrease until you release the switch.
- To mute, push the switch (2).

To select the mode (AM1, AM2, FM1, FM2, XM (option), CD, External CD-changer (option), AUX (option)), push the switch (3).

You can also turn on the audio system by pushing the switch (3).

To change the radio station:

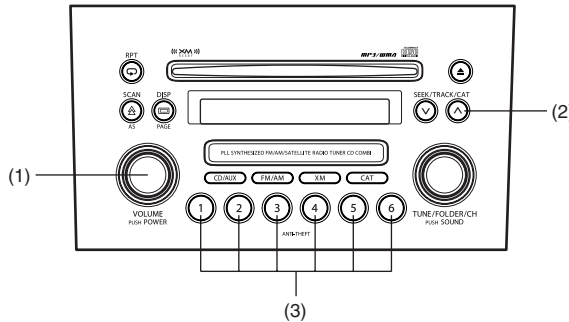
- To advance to the next preset station, push the upper part of the switch (4) briefly.
- To select the previous preset station, push the lower part of the switch (4) briefly.
- To scan to a higher frequency radio station, push and hold the upper part of the switch (4).
- To scan to a lower frequency radio station, push and hold the lower part of the switch (4).

To change the selection on a CD:

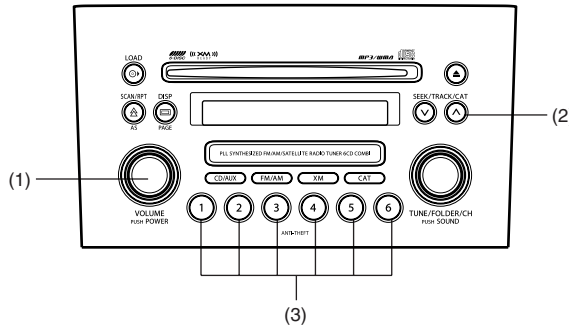
- To advance to the next track on a CD, push the upper part of the switch (4) briefly.
- To select the previous track on a CD, push the lower part of the switch (4).

**Anti-Theft Feature**

**Type 1 AM/FM/XM CD PLAYER WITH CD CHANGER CONTROL**



**Type 2 AM/FM/XM 6-CD PLAYER WITH CD CHANGER CONTROL**



- (1) Power on/off knob
- (2) Track up button/Fast forward button
- (3) Preset buttons (1 to 6)

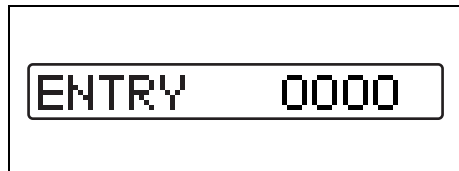
The anti-theft feature is intended to discourage theft of the audio system by preventing the system from operating when it is moved to a different vehicle.

This feature works by allowing you to enter a Personal Identification Number (PIN). When the audio system is disconnected from its power source, such as when the audio system is removed or the battery is disconnected, the system will not operate again unless the PIN is reentered.

## INSTRUMENT PANEL

### Setting the Anti-Theft Function

- 1) Turn off the power by pressing the power on/off knob (1).

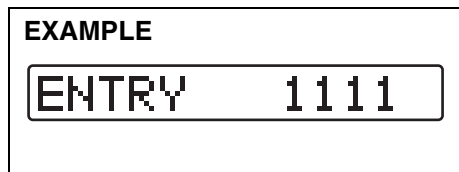


66J118

- 2) Press the power on/off knob (1) while pressing and holding the track up button (2). The "ENTRY 0000" will blink and the audio system enter PIN-input mode.

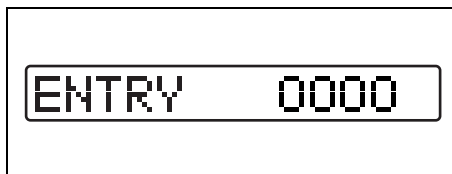
#### NOTE:

*Establish your PIN by combining numbers from 1 to 6 into any 4-digit number. If you forget your PIN, when you remove the battery for repair etc., you will no longer be able to operate the audio system.*



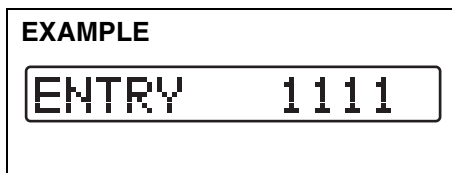
66J117

- 3) Input the four digit PIN using preset buttons 1 to 6.



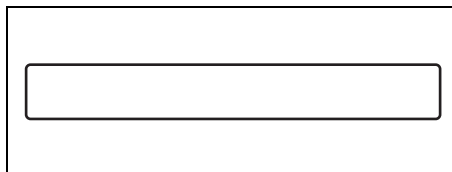
66J118

- 4) After you enter your four digit PIN, the display will return to "0000".



66J117

- 5) Input the same 4-digit number you previously entered.



66J120

- 6) The power of the audio system will turn off.

#### NOTE:

*Write down your PIN for the future use.*

### Canceling Your Established PIN Setting

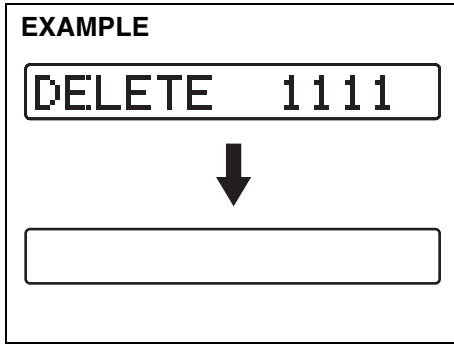
This operation is to be done when you want to cancel the anti-theft function or change your PIN.

- 1) Turn off the power by pressing the power on/off knob (1).



66J121

- 2) Press the power on/off knob (1) while pressing and holding the track up button (2). The "DELETE 0000" will blink and the audio system will enter the cancel mode.



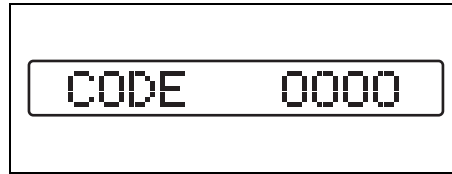
66J124

- 3) Input your PIN. The power of the audio system will turn off and your PIN will be deleted.  
To change your PIN, first delete your current PIN, then set a new one.

**Confirming Your Personal Identification Number (PIN)**

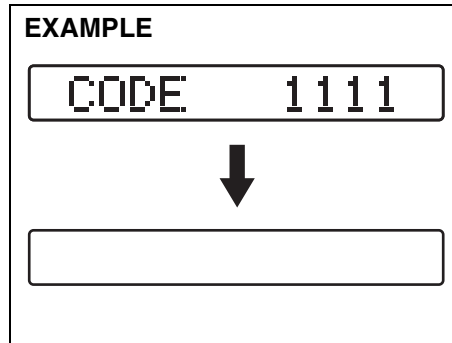
When the main power source is disconnected such as when you exchange your battery, etc, you will have to confirm your PIN to be able to use the audio system.

To confirm your PIN:



66J122

- 1) Turn the ignition switch to the "ACC" position.



66J125

- 2) Input your PIN.  
If the PIN that you input matches the

registered PIN, the power of the audio system will turn off, and you will be able to operate the audio system.

**NOTE:**

- If you input your PIN incorrectly, "----" will be displayed and the anti-theft function lock mode is entered. If you enter an incorrect PIN fewer than 6 times, the locking time will be for 15 seconds; if you enter an incorrect PIN more than 6 times, the locking time will be for 15 minutes.
- If you forget your PIN and enter a wrong PIN, you can not perform any further operation.

## INSTRUMENT PANEL

---

### Troubleshooting

Applicable to every device

Phenomenon	Cause	Remedy
Power is not turned on. (No sound is produced)	Fuse is blown.	Contact your authorized SUZUKI dealer.
	Connections are not properly made.	Contact your authorized SUZUKI dealer.

### Radio

Phenomenon	Cause	Remedy
Too much noise.	Not tuned correctly to the frequency of a station.	Tune correctly to the station frequency.
Stations cannot be selected by seek tuning.	There is no station with strong radio waves.	Select stations by manual tuning.

### CD

Phenomenon	Cause	Remedy
Compact disc cannot be loaded.	Another compact disc is already loaded.	Eject the compact disc before loading a new one.
Sound skips or is noisy.	Compact disc is dirty.	Clean the compact disc with a soft cloth.
	Compact disc is heavily scratched or warped.	Replace with a compact disc with no scratches.
Sound is bad directly after power is turned on.	Water droplets may form on the internal lens when the car is parked in a humid place.	Let dry for about 1 hour with the power on.



**Error display**

This unit has a number of self-diagnostic functions to protect the system.

If a problem should occur, the display shows the type of error. Refer to the table below and take proper measures to correct the problem.

If the problem is corrected, the unit will operate normally.

Error display	Measures to be taken
<p><b>PUSH EJECT</b></p>	<p>CD/CD changer “<b>Mechanical error</b>”.                      This error display indicates a mechanical failure in the CD changer (failure to change or eject a disc).                      The mechanism is probably damaged. Contact your authorized SUZUKI dealer.</p>
<p><b>CHECK DISC</b></p>	<p>CD/CD changer “<b>Focus error</b>”.                      The pick-up-focus is not properly functioning during playback due to damage on the disc or for other reasons.                      Check disc for damage.</p> <p>CD/CD changer “<b>Disc error</b>”.                      The CD is inserted upside down or only an eight-centimeter CD adapter is equipped.                      Check disc for correct loading.</p>

If an error display not listed above appears, turn off the unit and contact your SUZUKI dealer.

**MEMO**

-----

-----

-----

-----

-----

-----

-----

-----

-----

-----

-----

-----

-----

-----

-----

-----

-----

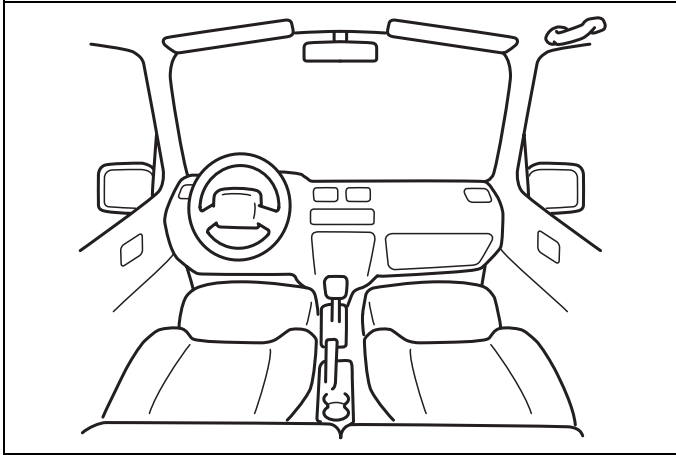
-----

-----

-----

-----

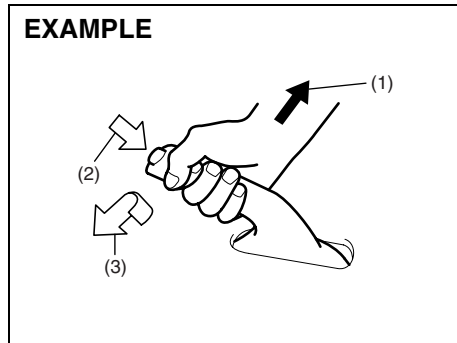
## OTHER CONTROLS AND EQUIPMENT



60G407

Parking Brake Lever .....	5-1
Pedals .....	5-1
Gearshift Lever .....	5-2
Fuel Filler Cap .....	5-3
Folding Seats .....	5-4
Armrest .....	5-7
Sun Visor .....	5-7
Interior Light Switch .....	5-7
Spot Light .....	5-8
Luggage Compartment Light .....	5-9
Front Seat Heater (if equipped) .....	5-9
Assist Grips (if equipped) .....	5-10
Coat Hooks (if equipped) .....	5-11
Sunroof (if equipped) .....	5-11
Engine Hood .....	5-13
Cup Holder and Storage Bin (if equipped) .....	5-14
Overhead Console Box (if equipped) .....	5-15
Accessory Socket (if equipped) .....	5-16
Cigarette Lighter and Ashtray .....	5-17
Frame Hooks .....	5-17
Tire Changing Tool .....	5-18
Shopping Hook (if equipped) .....	5-19
Front Seat Back Pocket (if equipped) .....	5-19
Luggage Restraint Loops (if equipped) .....	5-19
Luggage Compartment Cover .....	5-20
Underfloor Bins (if equipped) .....	5-23
Roof Rails or Roof Rack Anchors (if equipped) .....	5-23
HomeLink® (if equipped) .....	5-25

### Parking Brake Lever



64J081

- (1) To set
- (2) To release
- (3) To release

The parking brake lever is located between the seats. To set the parking brake, hold the brake pedal down and pull the parking brake lever all the way up. To release the parking brake, hold the brake pedal down, pull up slightly on the parking brake lever, push the button on the end of the lever with your thumb and lower the lever to its original position.

For automatic transmission vehicles, always set the parking brake before moving the gearshift lever to the “P” (Park) position. If you park on an incline and shift into “P” before you set the parking brake, the weight of the vehicle may make it diffi-

cult to shift out of “P” when you are ready to drive the vehicle. When preparing to drive the vehicle, move the gearshift lever out of the “P” position before releasing the parking brake.

#### **▲ WARNING**

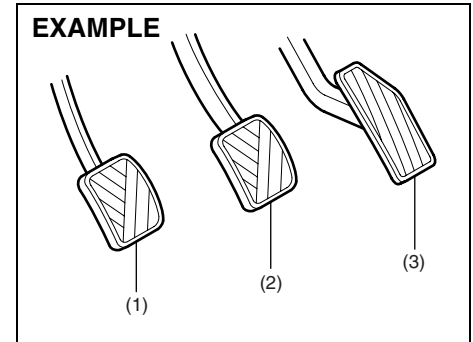
- **Never drive your vehicle with the parking brake set: rear brake effectiveness can be reduced from overheating, brake life may be shortened or permanent brake damage may result.**
- **If the parking brake does not hold the vehicle securely or does not fully release, have your vehicle inspected immediately by an authorized SUZUKI dealer.**

#### **▲ WARNING**

**Always set the parking brake fully before leaving your vehicle or it may roll, causing injury or damage. When parking, make sure the gearshift lever for manual transmission vehicles is in 1st gear or “R” (Reverse) and the gearshift lever for automatic transmission vehicles is in “P” (Park). Never leave the transfer lever in “N” (Neutral) when you are parked. Remember, even though the transmission is in gear or in Park, you must set the parking brake fully.**

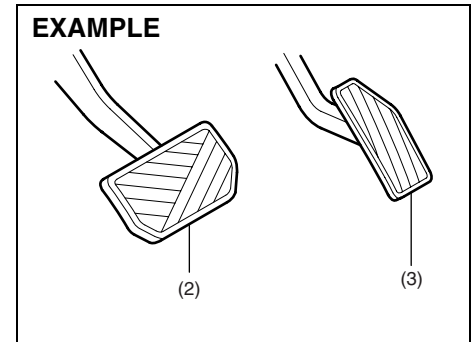
### Pedals

#### Manual transmission



64J082

#### Automatic transmission



64J083

**Clutch Pedal (1)**

(For manual transmission)

The clutch pedal is used to disengage the drive to the wheels when starting the engine, stopping or shifting the gearshift lever or transfer lever. Depressing the pedal disengages the clutch.

**CAUTION**

**Do not drive with your foot resting on the clutch pedal. It could result in excessive clutch wear or clutch damage.**

**Brake Pedal (2)**

Your SUZUKI vehicle is equipped with front disc brakes and rear drum brakes. Depressing the brake pedal applies both sets of brakes.

You may hear occasional brake squeal when you apply the brakes. This is a normal condition caused by environmental factors such as cold, wet, snow, etc.

**WARNING**

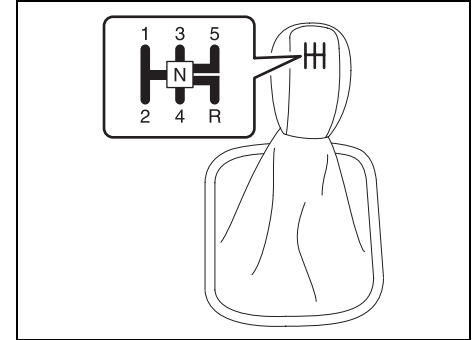
**If brake squeal is excessive and occurs each time the brakes are applied, you should have the brakes checked by your SUZUKI dealer.**

**WARNING**

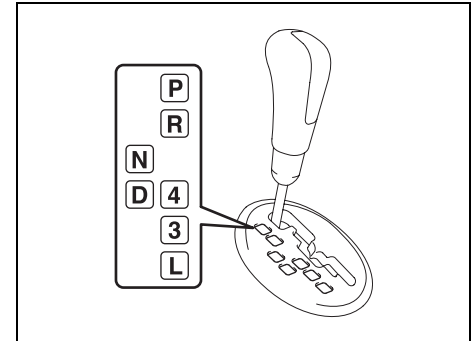
**Do not “ride” the brakes by applying them continuously or resting your foot on the pedal. This will result in overheating of the brakes which could cause unpredictable braking action, longer stopping distances or permanent brake damage.**

**Accelerator Pedal (3)**

This pedal controls the speed of the engine. Depressing the accelerator pedal increases power output and speed.

**Gearshift Lever****Manual transmission**

65D449

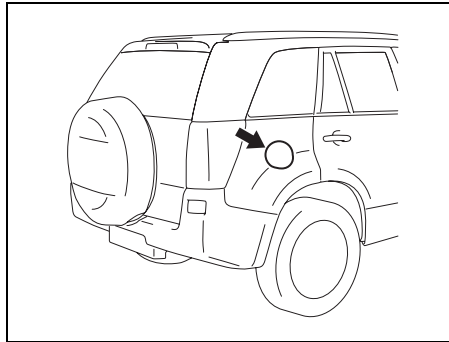
**5-speed automatic transmission**

66J046

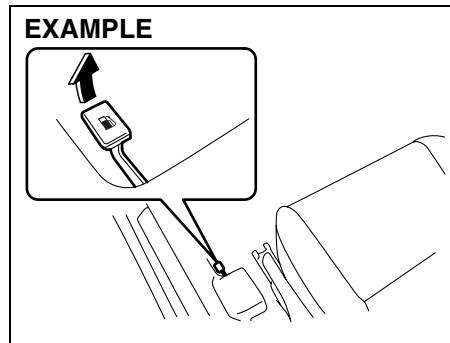
## OTHER CONTROLS AND EQUIPMENT

Your vehicle is equipped with either a manual transmission or automatic transmission. The gearshift lever for each transmission type is shown in the illustrations. For details on how to use the transmission, refer to the “Using the Transmission” in “OPERATING YOUR VEHICLE” section.

### Fuel Filler Cap



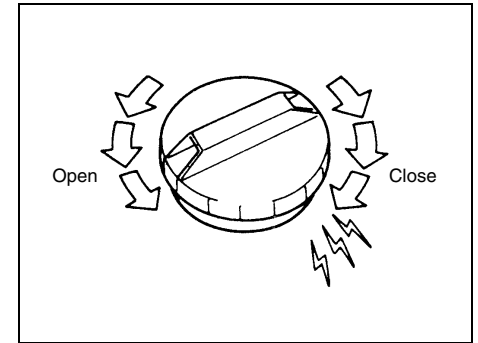
64J085



64J253

The fuel filler cap is located on the right rear side of the vehicle. The fuel filler door can be unlocked by pulling up on the opener lever located on the outboard side

of the driver's seat and can be locked by simply closing the door.



60G069

To remove the fuel filler cap:

- 1) Open the fuel filler door.
- 2) Remove the cap by turning it counter-clockwise.

#### **⚠ WARNING**

**Remove the fuel filler cap slowly. The fuel may be under pressure and may spray out, causing injury.**

To reinstall the fuel filler cap:

- 1) Turn the cap clockwise until you hear several clicks.
- 2) Close the fuel filler door.

### **⚠ WARNING**

Gasoline is extremely flammable. Do not smoke when refueling, and make sure there are no open flames or sparks in the area.

### **⚠ WARNING**

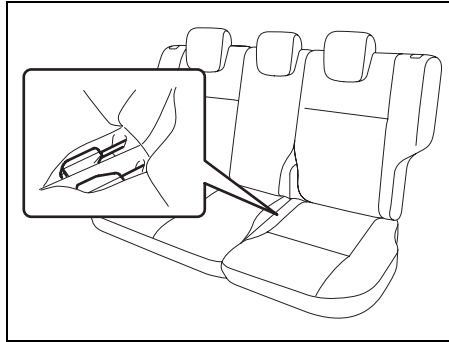
If you need to replace the fuel cap, use a genuine SUZUKI cap. Use of an improper cap can result in a malfunction of the fuel system or emission control system. It may also result in fuel leakage in the event of an accident.

## Folding Seats

### Folding Rear Seats

To fold the rear seats forward:

- 1) Remove the luggage compartment cover.



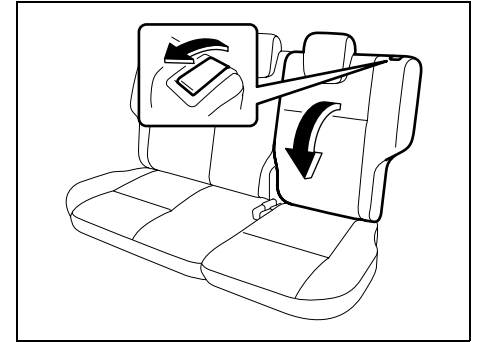
66J211

- 2) Stow the seat belt buckles of the center and left seating position into the pocket of the seat cushion as shown in the illustration.

### **CAUTION**

When you fold the rear seatback forward, stow the seat belt buckles of the center and left seating position into the pocket first. This helps prevent being caught by the seat and being damaged.

- 3) Lower the adjustable head restraint fully.



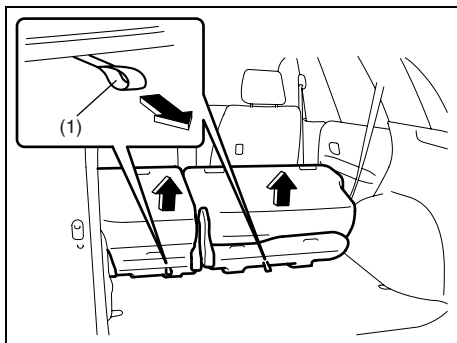
64J087

- 4) Pull the release lever forward on the top of each split seat, and fold the seatbacks forward.

### **CAUTION**

Make sure the belt webbing is not caught by the seat.

## OTHER CONTROLS AND EQUIPMENT

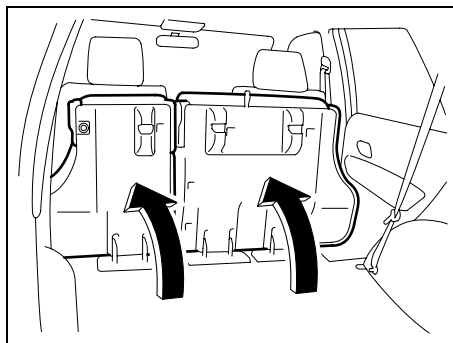


64J088

- 5) Pull the lock release strap (1) rearward to unlatch the seat cushion.

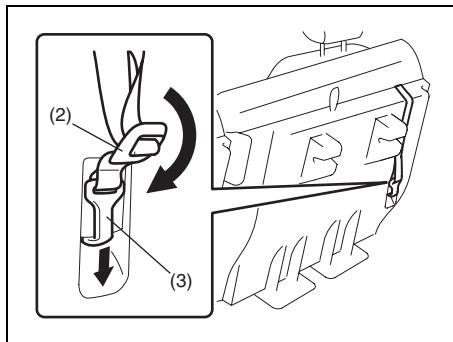
### **⚠ WARNING**

When you unlatch the rear seat cushion, be careful that your face or hands are not injured from the seat popping up.



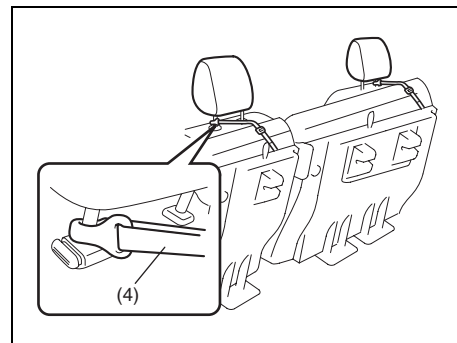
64J089

- 6) Fold the entire seat forward.



66J195

- 7) Push down the adjuster (2) to make the strap slack, and then unhook the strap by pushing down the hook (3).



66J196

- 8) Hook the strap (4) to the front seat head restraint and re-tighten the adjuster (2) to apply a tension on the strap as shown in the illustration.

### **CAUTION**

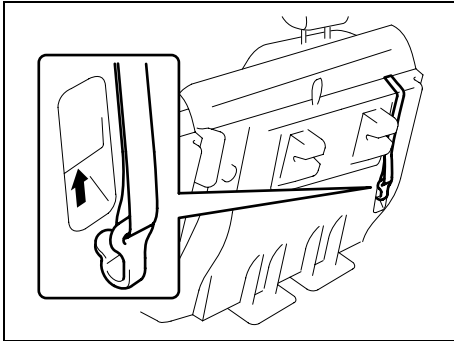
When securing the folded rear seat with a strap, adjust the strap length so that the rear seat will not move.



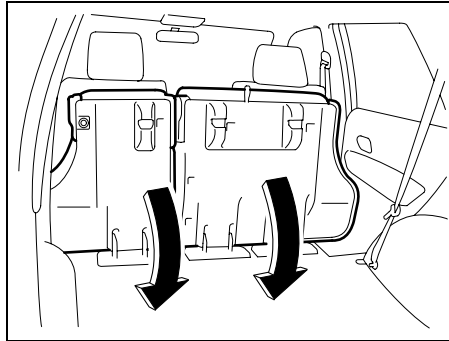
**⚠ WARNING**

Luggage or other cargo should be stowed in the luggage compartment with the rear seat in an upright position, whenever possible. If you need to carry cargo in the passenger compartment with the rear seat back folded forward, be sure to secure the cargo or it may be thrown about, causing injury. Never pile cargo higher than the seatbacks.

To return the seat to the normal position, follow the procedure below.



1) Unhook the strap from the head restraint and stow the strap to the back of the seat cushion.



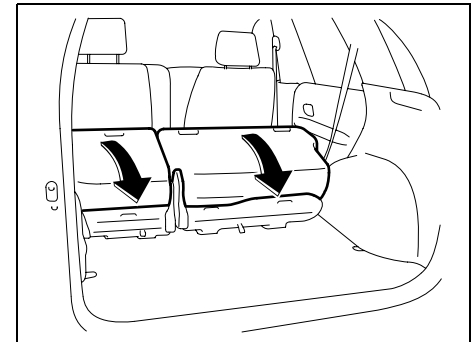
2) Pull down the seat cushion until it locks into place.

**⚠ WARNING**

When returning the rear seat cushion to the normal position, be careful that your finger is not caught between the lock and the floor.

**CAUTION**

- When returning the rear seat cushion to the normal position, make sure that there is nothing around the striker. This prevents the seat cushion from being locked securely.
- When returning the rear seat cushion to the normal position, make sure that there is nothing under the seat cushion. This prevents damage to the seat cushion.



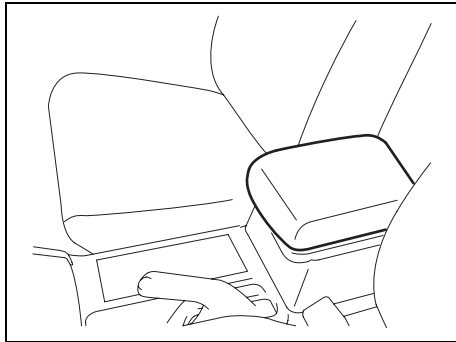
3) Raise the seatback until it locks into place.

After returning the seat, try moving the seat and seatback to make sure they are securely latched.

## OTHER CONTROLS AND EQUIPMENT

### Armrest

#### Center Console Armrest

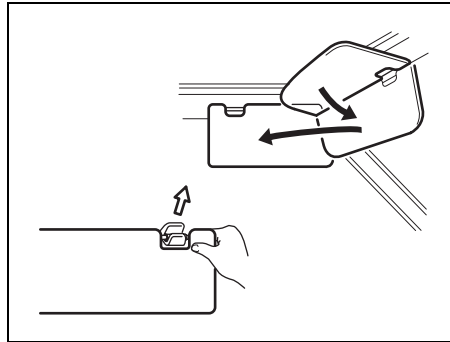


64J263

#### CAUTION

To avoid damage to the armrest, do not lean on it or allow a child to sit on it.

### Sun Visor



79J161

The sun visors can be pulled down to block glare coming through the windshield, or they can be unhooked and turned to the side to block glare coming through the side window.

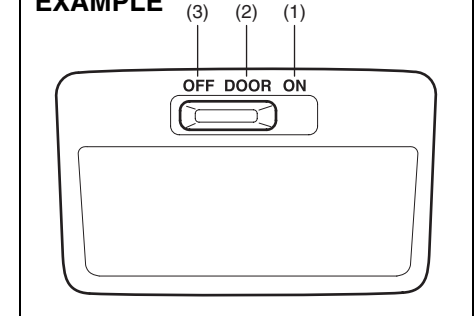
#### CAUTION

When unhooking and hooking a sun visor, be sure to handle it by the hard plastic parts or the sun visor can be damaged.

### Interior Light Switch

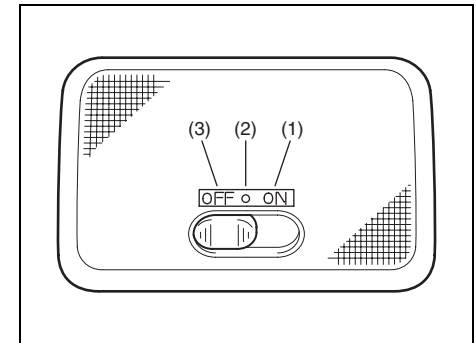
#### Center

##### EXAMPLE



64J104

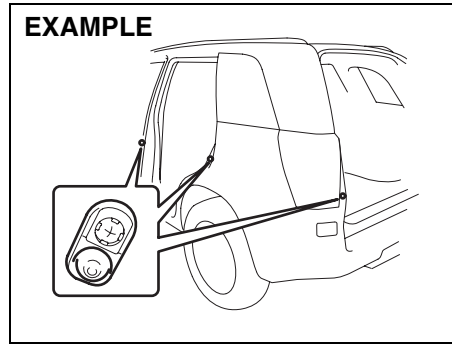
#### Rear



64J211

This light switch has three positions which function as described below:

- (1) The light comes on and stays on regardless of whether the door is open or closed.
- (2) The light comes on when the door is opened.  
After closing all doors (including the tailgate), the light will remain on for about 15 seconds and then fade out. If you insert the key into the ignition switch during that time, the light will start to fade out immediately.  
After removing the key from the ignition switch, the light will turn on for about 15 seconds and then fade out.
- (3) The light remains off even when the door is opened.

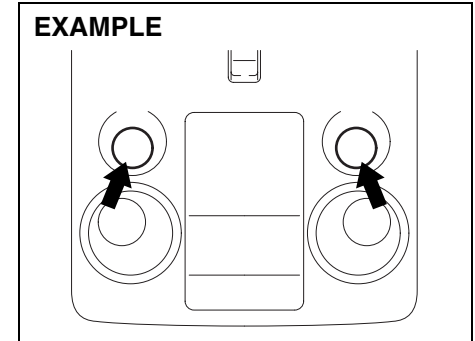


64J105

**NOTE:**

*The number of doors involved in the lighting operation of the interior light depends on the vehicle specification. If there is a switch (rubber projection) at the door opening as shown, the door is involved in the lighting operation.*

### Spot Light

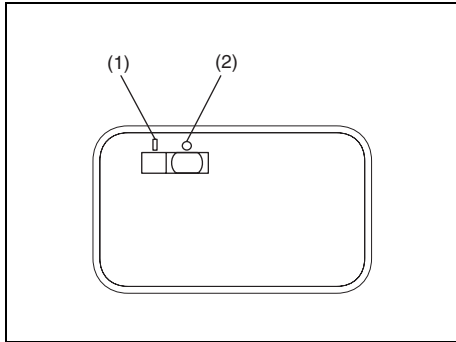


64J212

Push the switch to turn on the light and push it again to turn off the light.

## OTHER CONTROLS AND EQUIPMENT

### Luggage Compartment Light



66J047

The luggage compartment light is located at the left side of the rear luggage compartment.

When you open any of the doors including the tailgate with the luggage compartment light switch in the “ON” position (1), the light comes on and remains on as long as you keep the door open.

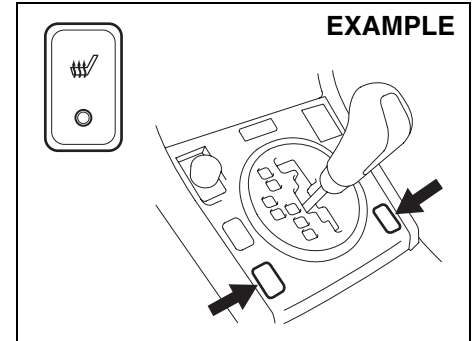
After closing all doors, the light will remain on for about 15 seconds and then fade out. If you insert the key into the ignition switch during that time, the light will start to fade out immediately.

After removing the key from the ignition switch, the light will turn on for about 15 seconds and then fade out.

When the luggage compartment light switch is in the “OFF” position (2), the light

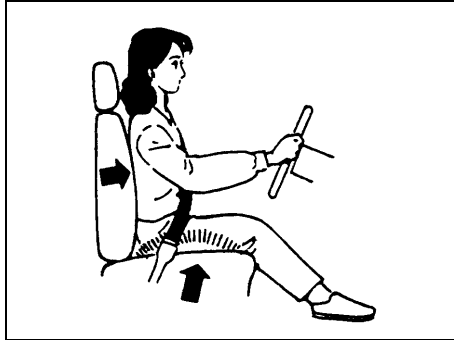
remains off regardless of whether the door(s) is(are) opened or closed.

### Front Seat Heater (if equipped)



64J106

With the ignition switch in the “ON” position, push in one or both of the seat heater switches to warm the corresponding seat(s). The indicator light below the switch will also come on. To turn off the seat heater, push in the switch again. The indicator light below the switch will go off.



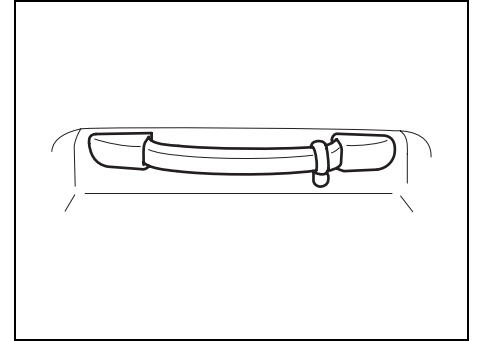
86G064

**CAUTION**

To avoid damaging the heater element:

- Do not subject the front seats to heavy impacts, such as children jumping on them.
- Do not cover the seat with any insulating materials such as blankets or cushions.

**Assist Grips (if equipped)**



64J136

Assist grips are provided for convenience.

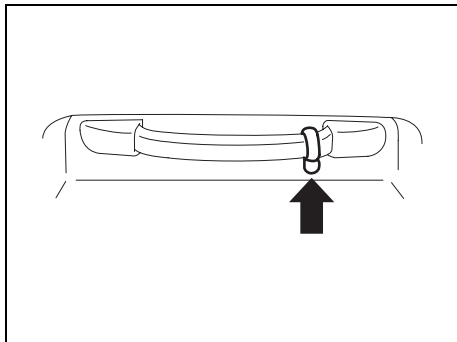
**⚠ WARNING**

Improperly using the seat heater can be hazardous. An occupant can suffer burns even if the heating temperature is fairly low, if the occupant is wearing thin pants, a thin skirt or shorts and leaves the heater on for long periods.

Avoid using the seat heater for these occupants:

- People who have reduced feeling in their legs, including the elderly or those with certain disabilities.
- Small children, or anyone with sensitive skin.
- People who are asleep or under the influence of alcohol or other drugs which make them tired.

### Coat Hooks (if equipped)



64J137

You can hang clothing on the coat hooks. These hooks are not designed for large or heavy items.

#### **WARNING**

**If your vehicle is equipped with side curtain air bags, do not hang sharp items like a hanger on the coat hook. When hanging the clothes, hang it on hook without using a hanger.**

### Sunroof (if equipped)

You can tilt or slide the sunroof by operating the “TILT” part of the sunroof switch or the “SLIDE” part of the sunroof switch when the ignition switch is in the “ON” position.

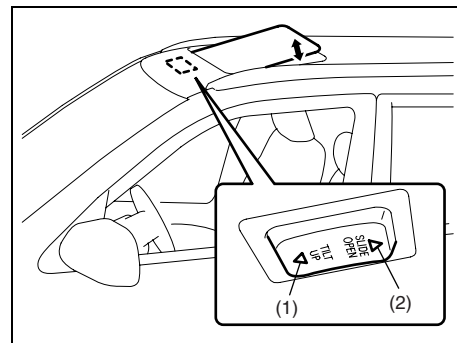
There is a system to prevent being pinched by the sunroof.

When the system senses that something is pinched when the sunroof is sliding forward, the sunroof will automatically reverse direction and slide rearward. This system will operate when the sunroof is closing automatically. This system does not operate when tilting the sunroof down.

Make sure there are no hands or other obstructions in the path of the sunroof when you close the sunroof even though there is a system to prevent being pinched by the sunroof.

#### **WARNING**

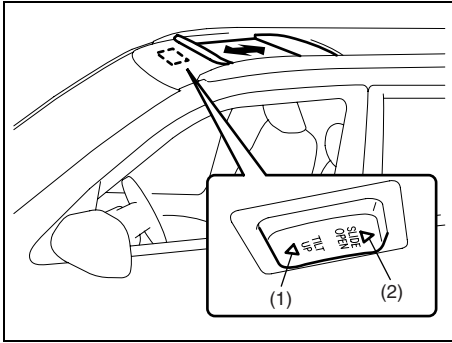
- The system to prevent being pinched by the sunroof does not work in the area where the sunroof is almost completely closed.
- The system to prevent being pinched by the sunroof may not work if the battery is not sufficiently charged.



64J107

To tilt the sunroof up, slide the sun shade rearward by hand and push the “TILT UP” part (1) of the sunroof switch. To tilt the sunroof down, push the “SLIDE OPEN” part (2) of the sunroof switch.

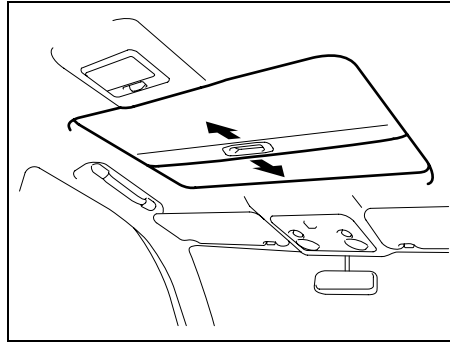
If you push the switch for more than a second, the sunroof will automatically tilt up or down fully. To stop the sunroof halfway, push the switch briefly.



64J108

To slide the sunroof rearward, push the “SLIDE OPEN” part (2) of the sunroof switch. To slide the sunroof forward, push the “TILT UP” part (1) of the sunroof switch.

If you push the switch for more than a second, the sunroof will automatically slide fully rearward or forward. To stop the sunroof halfway, push the switch briefly.



64J109

The sun shade will open automatically and cannot be closed when the sunroof is slid rearward.

### How to reactivate the system to prevent being pinched by the sunroof

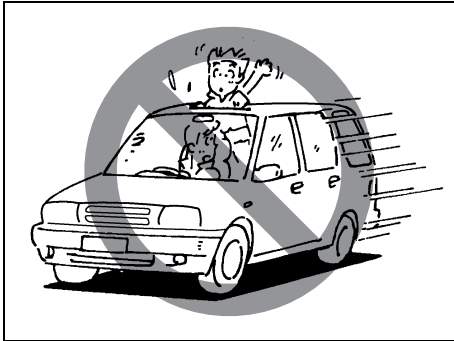
When you disconnect the negative (-) terminal from the battery or change the fuses, the features below will not operate.

- The system to prevent being pinched by the sliding sunroof.
- The system to automatically open or close the sunroof fully.

In this case, you must reactivate the features using the following procedures.

- 1) Turn the ignition switch to the “ON” position.
- 2) Push and hold the “TILT UP” part (1) of the sunroof switch, the sunroof will tilt up fully and then down slightly. After the movement stops completely, release the switch. The features are reactivated.
- 3) Make sure you can open or close the sunroof automatically by pushing the sunroof switch for more than about a second.

## OTHER CONTROLS AND EQUIPMENT



65D612

### **⚠ WARNING**

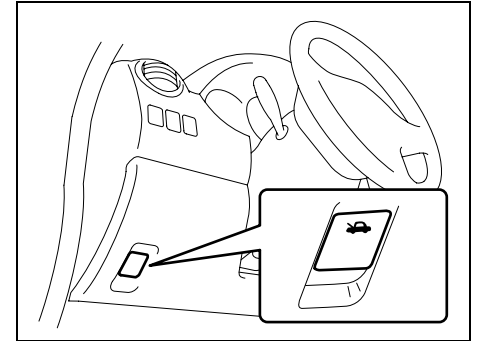
- Never allow any part of your body such as hands or head to get out of the sunroof opening while the vehicle is moving.
- Be sure there are no hands or other obstructions in the path of the sunroof when you close the sunroof.
- Always remove the ignition key when leaving the vehicle even if for a short time. Also do not leave children alone in a parked vehicle. Unattended children could use the sunroof switches and get trapped by the sunroof.

### **CAUTION**

**Do not put your body weight on the roof around the sunroof such as by sitting on it.**

- Be sure to close the sunroof when you leave the vehicle unattended.
- Periodically inspect the guide rail for dirt and clean it if any dirt has accumulated.

## Engine Hood

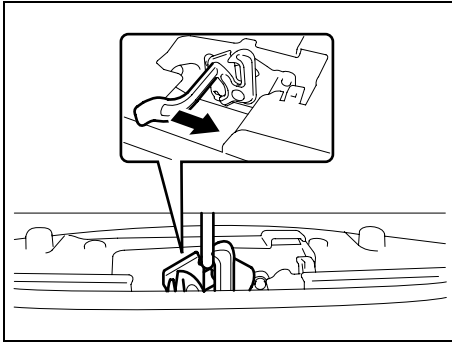


64J110

To open the engine hood:

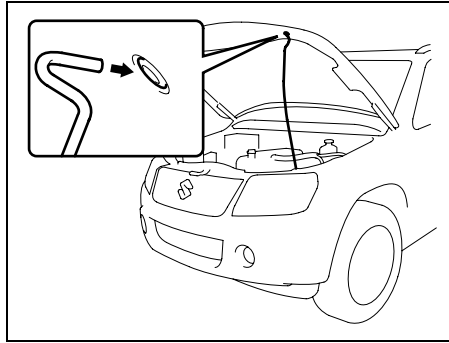
- 1) Pull the hood release handle located on the outboard side of the driver's side of the instrument panel. This will disengage the engine hood lock halfway.





64J111

- 2) Push the under-hood release lever sideways with your finger, as shown in the illustration. While pushing the lever, lift up the engine hood.



64J112

- 3) Continue to lift up the hood until it is high enough to support with the prop rod.

To close the engine hood:

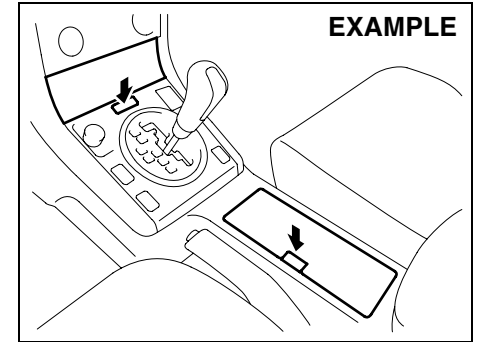
- 1) Lift the hood up slightly and remove the prop rod from the hole. Put the prop rod back to the holding clip.
- 2) Lower the hood close to the bumper, then let it drop down.  
Make sure the hood is securely latched after closing.

**⚠ WARNING**

**Make sure the hood is fully closed and latched before driving. If it is not, it can fly up unexpectedly during driving, obstructing your view and resulting in an accident.**

**Cup Holder and Storage Bin (if equipped)**

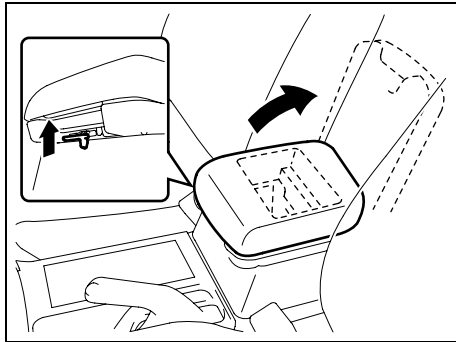
Cup holders and a storage bin are provided as shown.



64J113

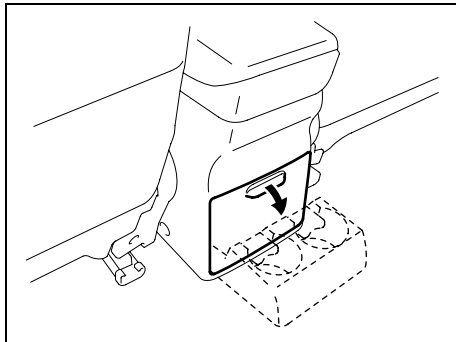
To access a bin, push the release button.

## OTHER CONTROLS AND EQUIPMENT



64J115

To use the console bin, pull the lever up and open the lid.



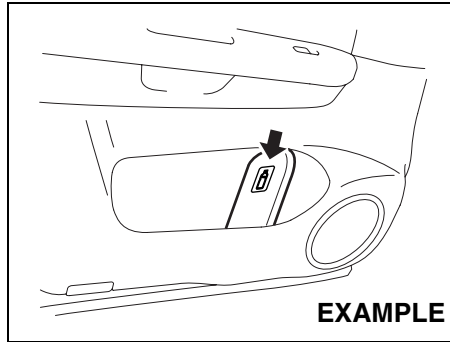
64J116

To use the rear cup holders, open the lid.

### **⚠ WARNING**

Do not use the cup holder or the storage bin to hold cups containing hot liquids or sharp-edged, hard or breakable objects. Objects in these bins may be thrown about during a sudden stop or impact, and could cause personal injury.

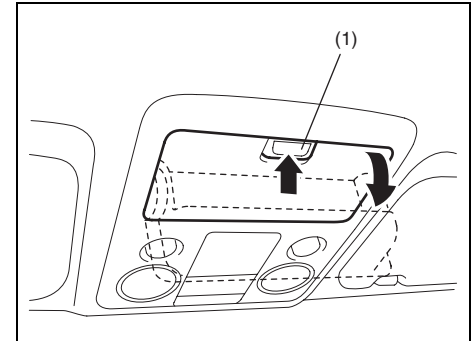
### Bottle holder



64J200

You should hold a bottle with a cap in the bottle holder.

## Overhead Console Box (if equipped)



64J289

To use the overhead console box, push on the front edge (1) and open the lid. To close the lid, push the front edge (1) until it latches. Do not put heavy or sharp items in the box.

### **⚠ WARNING**

Never drive with the overhead console box lid open. It could cause injury if an accident occurs.

### CAUTION

If you park your vehicle outdoors in direct sunlight or in hot weather, the eyeglasses compartment can get very hot since it is close to the roof.

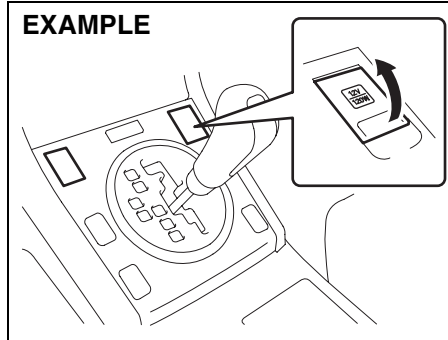
So, when parking in such conditions:

- Do not leave eyeglasses in the compartment. The heat may distort plastic lenses or frames.
- Do not place flammable items, such as a lighter, in the compartment. The heat may cause a fire.

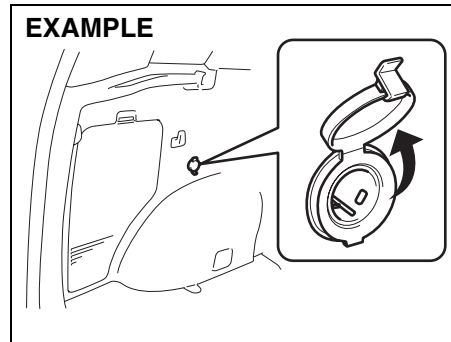
### NOTE:

An aftermarket garage door opener can be installed in the front side overhead console box.

### Accessory Socket (if equipped)



64J121



64J120

12-volt accessory sockets are located both on the center console and on the left side of the luggage compartment.

Depending on the specification, there are two sockets on the center console.

Each socket can be used to provide 12 volt/120 watt power for electrical accessories when used alone. Make sure that the cap remains on the socket when the socket is not in use.

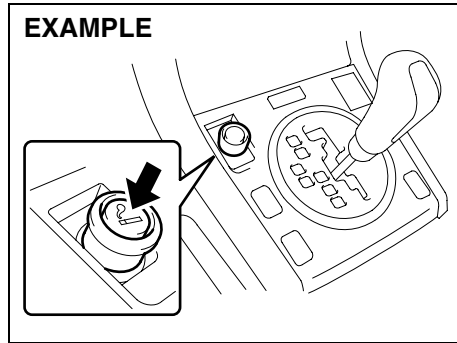
### CAUTION

- To prevent the fuse from being blown, when using sockets at the same time, do not exceed the total combined power capacity of 120 watts.
- Use of inappropriate electrical accessories can cause damage to your vehicle's electrical system. Make sure that any electrical accessories you use are designed to plug into this type of socket.

## OTHER CONTROLS AND EQUIPMENT

### Cigarette Lighter and Ashtray

#### Cigarette Lighter (if equipped)

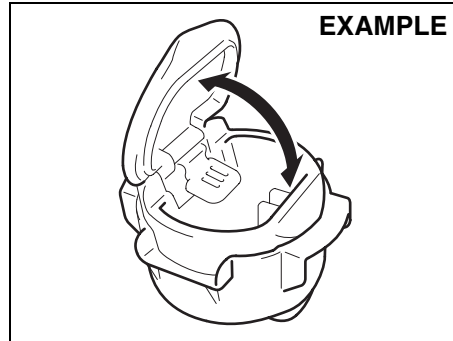


To use the cigarette lighter, push it all the way into the receptacle and release it. It will automatically heat up and will pop out to its normal position when it is ready for use.

#### CAUTION

- Holding the cigarette lighter in can overheat and damage the lighter. Release the lighter after you push it in.
- To avoid damage to the cigarette lighter socket, do not use it as an accessory power source. Some accessories' power plug can damage the inner mechanism of the cigarette lighter socket.

#### Ashtray (if equipped)



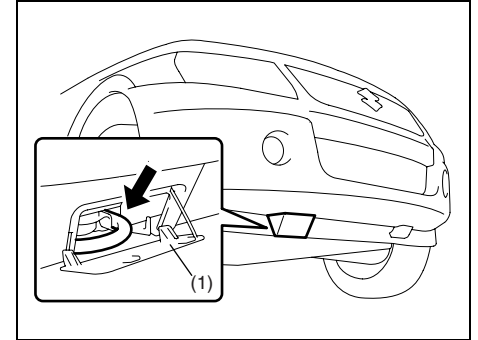
You can fit the ashtray into any of the cup holders on the center console.

#### ⚠ WARNING

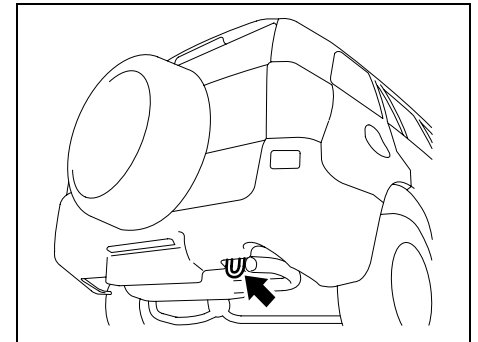
**Make sure tobacco is fully extinguished before closing the ashtrays. Never throw waste in the ashtrays: it could create a fire hazard.**

### Frame Hooks

#### Front



#### Rear



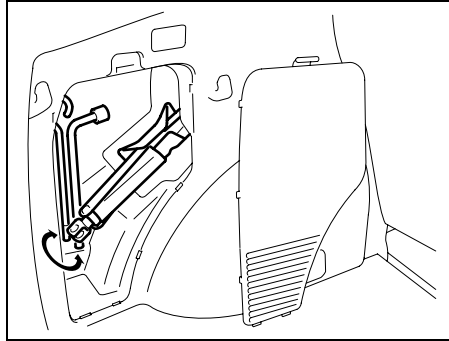
Frame hooks are provided at the front and rear of the vehicle.

To access the front hook, unhook the lower part of the cover (1) and then remove the cover (1).

**⚠ WARNING**

**Do not use the frame hooks to tow another vehicle or to have your vehicle towed on the road or highway. The hooks are designed for use in emergency situations only, such as if your vehicle or another vehicle gets stuck in deep mud or snow.**

## Tire Changing Tool



64J124

The jack, wheel brace and jack handle are stowed in the rear left corner of the luggage compartment. Remove the cover to access the tools.

To remove the jack, turn its shaft counter-clockwise and pull the jack out of the storage bracket. To stow the jack, place it in the storage bracket and turn the shaft clockwise until the jack is securely held in place.

**⚠ WARNING**

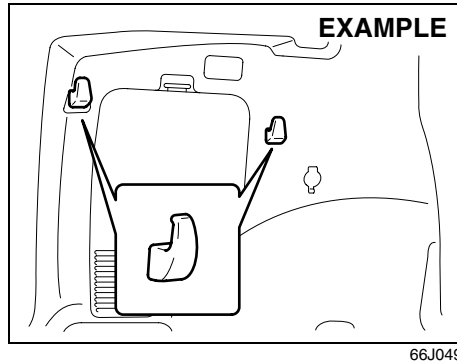
**The jack should be used only to change wheels. It is important to read the jacking instructions in the “EMERGENCY SERVICE” section of this manual before attempting to use the jack.**

**⚠ WARNING**

**After using the jack, extension rod and lug wrench, be sure to stow them securely, or they could be thrown about in an accident, causing injury.**

## OTHER CONTROLS AND EQUIPMENT

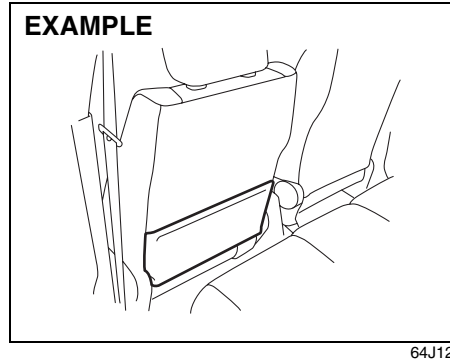
### Shopping Hook (if equipped)



The shopping hooks are located on both sides of the luggage compartment.

You can hang the shopping bag or other suitable objects on the hook. This hook is not designed for large or heavy items.

### Front Seat Back Pocket (if equipped)

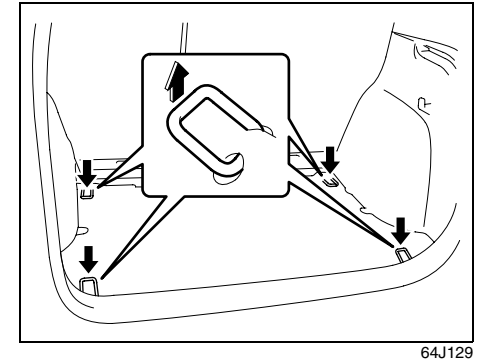


This pocket is provided for holding light and soft things such as gloves, newspapers or magazines.

#### **WARNING**

**Do not put hard or breakable objects in the pocket. If an accident occurs, objects such as bottles, cans, etc. can injure the occupants in the rear seat.**

### Luggage Restraint Loops (if equipped)



Four luggage restraint loops are provided on the luggage compartment floor. An optional rubber net can be hooked to these loops to help keep cargo from moving around in the luggage compartment during normal driving.

**⚠ WARNING**

The luggage restraint loops and optional rubber net can be used to help keep lightweight cargo from moving around in the luggage compartment during normal driving. They are neither capable of nor intended for preventing cargo from being thrown around in a crash. Place heavier objects on the floor and as far forward in the cargo area as possible. Never pile cargo higher than the top of the seat backs.

**⚠ WARNING**

Do not attach the child restraint top strap to the luggage restraint loops. Incorrectly attached top strap will reduce the intended effectiveness of the child restraint system.

**Luggage Compartment Cover**

Luggage or other cargo placed in the luggage compartment can be hidden from view by a luggage compartment cover. However, the luggage compartment covers are not designed to support items loaded on top of them, and may get damaged if used as a shelf.

**⚠ WARNING**

Do not carry items on top of the luggage compartment cover, even if they are small and light. Objects on top of the cover could be thrown about in an accident, causing injury, or could obstruct the driver's rear view.

**CAUTION**

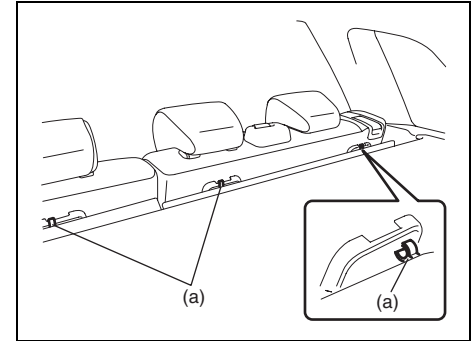
To avoid damaging the luggage compartment cover:

- Do not place items on top of it.
- Do not push down on it or lean on it.
- Handle it carefully when installing or removing.

**NOTE:**

The seatback should always be securely latched in a fairly upright position when removing or installing the luggage compartment cover.

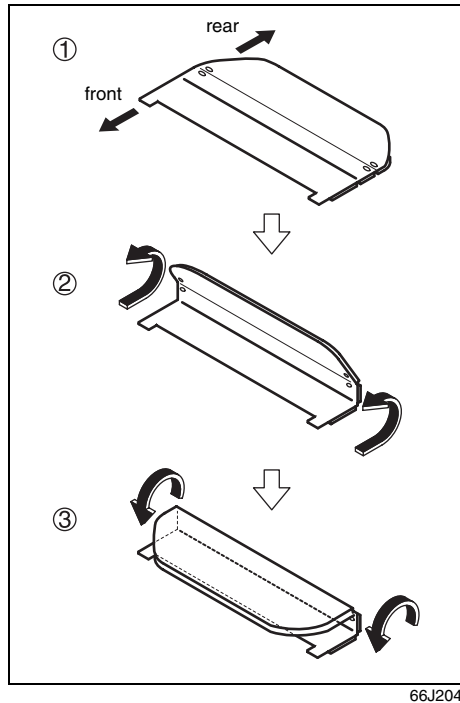
To remove the luggage compartment cover:



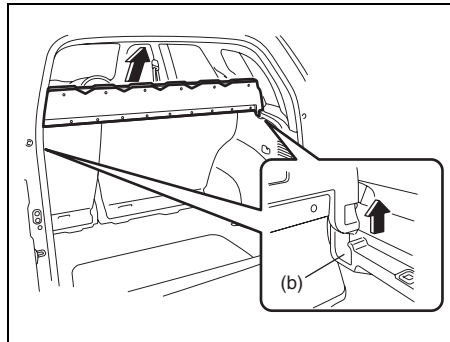
66J203

- 1) Release the three hooks (a) from the rear seat backs.

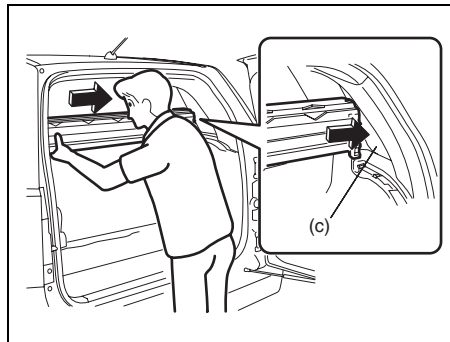
## OTHER CONTROLS AND EQUIPMENT



2) Fold and roll the cover forward.



3) Lift up both ends of the cover to disengage the attachment points (b).



4) Place one end of the cover in the quarter window opening (c) so enough

clearance is established on the other end to swing the cover down and out.



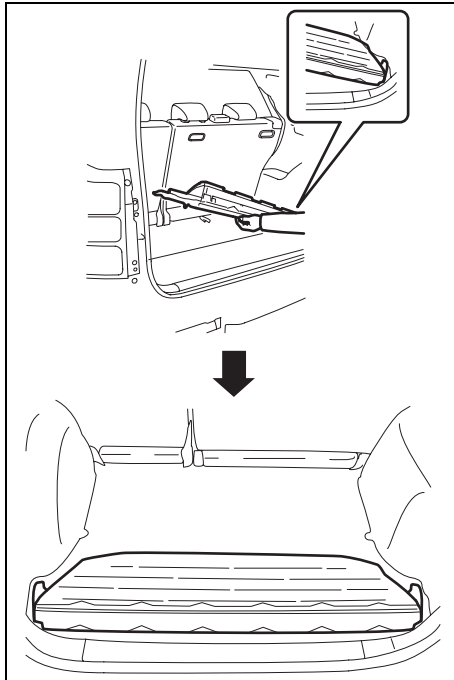
5) Tilt the luggage compartment cover, and then remove the compartment cover from the vehicle.

### CAUTION

When you place the end of the cover in the quarter window opening (c), be careful not to damage the window or other materials while positioning the compartment cover.



To stow a luggage compartment cover on the floor of the rear luggage room:



66J207

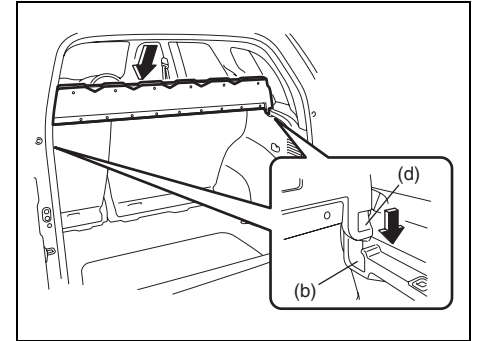
Tilt the cover, and fit it onto floor of the rear luggage room.

To reinstall the luggage compartment cover:



66J208

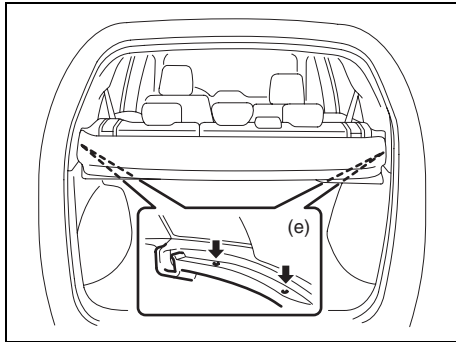
- 1) Fold/roll the luggage compartment cover, and place one end in the quarter window opening (c) to swing the other end into position.



66J209

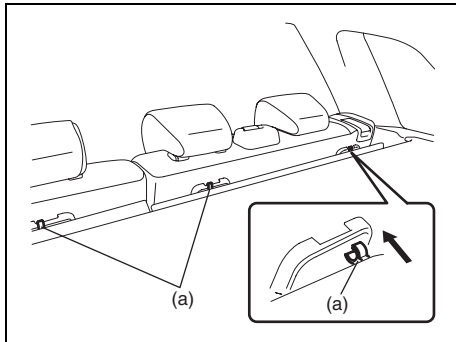
- 2) Align the attachment points (d) on the cover with the attachment points (b) on the vehicle and push down both ends. Make sure that the cover securely fits in the attachment points.

## OTHER CONTROLS AND EQUIPMENT



66J210

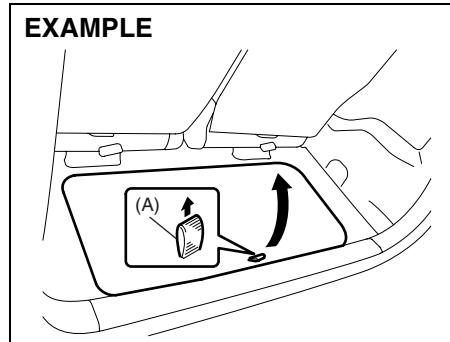
- 3) Unroll/unfold the cover as you secure the other latches (e).



66J229

- 4) Reattach the three hooks (a) to the rear seat backs.

### Underfloor Bins (if equipped)



64J132

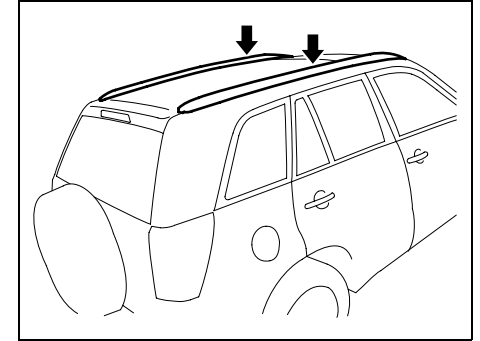
Pull up the straps (A) to open the bin.

#### CAUTION

Do not allow items in the bins to extend above the top of the bin. Otherwise, the bin or luggage floor may be damaged.

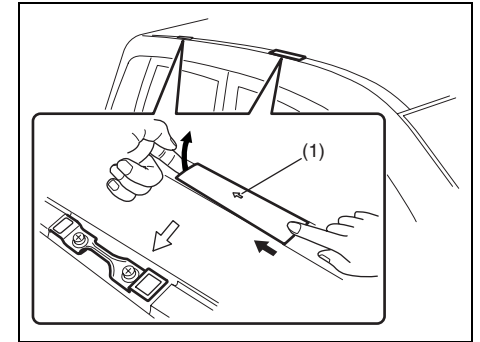
### Roof Rails or Roof Rack Anchors (if equipped)

#### Roof rails



64J133

#### Roof rack anchors



64J224

You can use the roof rails or the roof rack anchors to attach the optional roof rack which is available at your SUZUKI dealer. If you use a roof rack, observe the instructions and precautions in this section and provided with the roof rack.

(For vehicles with roof rack anchors)

To remove the cap, slide the cap in the direction of the arrow (1) and then lift the edge of the cap up as shown in the illustration. To install the cap, put in the front part of the cap, slide the cap in the opposite direction of the arrow (1) and then push down the rear part of the cap.

- Make sure the roof rack is securely installed.
- To mount various types of cargo (such as skis, bicycles, etc.) properly, use suitable attachments which are available from your SUZUKI dealer. Be sure to install the attachments properly and securely according to the instructions provided. Do not mount cargo directly on the roof panel. The cargo can damage the roof panel.
- The gross weight of the roof rack plus cargo must not exceed the loading capacity (75 kg (165 lbs)). Also, do not let the gross vehicle weight (fully loaded vehicle including driver, passengers, cargo, roof load and trailer tongue weight) exceed the Gross Vehicle Weight Rating (GVWR) listed on the driver's door lock pillar.
- Mount and secure the cargo onto the roof rack properly according to the instructions provided. Be sure to stow the heaviest items at the bottom and distribute the cargo as evenly as possible.
- Do not carry items so large that they hang over the bumpers or the sides of the vehicle, or block your view.
- Secure the front and rear ends of long items – such as wood panels, surfboards and so forth – to both the front and rear of the vehicle. You should protect the painted surfaces of the vehicle from scuffing caused by tie-down ropes.
- Check periodically to make sure the roof rack is securely installed and free from damage.
- For vehicles with roof rack anchors, make sure the anchors are covered with the caps when not in use.

### WARNING

- **Abrupt maneuvers or failure to properly secure cargo can allow the cargo to fly off the vehicle and hit others, causing personal injury or property damage.**
- **Mount cargo securely and avoid abrupt maneuvers such as “jack-rabbit” starts, sharp turns, fast cornering and sudden braking. Check periodically to make sure that cargo is securely fastened.**
- **Large, bulky, long, or flat items can affect vehicle aerodynamics or be caught by the wind, and can reduce vehicle control resulting in an accident and personal injury. Drive cautiously at reduced speed when carrying this type of cargo.**

## OTHER CONTROLS AND EQUIPMENT

### HomeLink® (if equipped)



66J092

HomeLink® and the HomeLink® house are registered trademarks of Johnson Controls, Inc.

The HomeLink® Wireless Control System provides a convenient way to replace up to three hand-held radio-frequency (RF) transmitters used to activate devices such as gate operators, garage door openers, entry door locks, security systems, even home lighting. Additional HomeLink® information can be found on the Internet at [www.homelink.com](http://www.homelink.com) or by calling 1-800-355-3515.

Before programming HomeLink® to a garage door opener or gate operator, make sure that people and objects are out of the way of the device to prevent potential harm or damage. When programming a garage door opener, it is advised to park outside of the garage. Do not use HomeLink® with any garage door opener that lacks safety stop and reverse features as required by U.S. federal safety stan-

dards (this includes any garage door opener model manufactured before April 1, 1982). A garage door that cannot detect an object – signaling the door to stop and reverse – does not meet current U.S. federal safety standards. For more information, contact HomeLink® at [www.homelink.com](http://www.homelink.com) or by calling 1-800-355-3515.

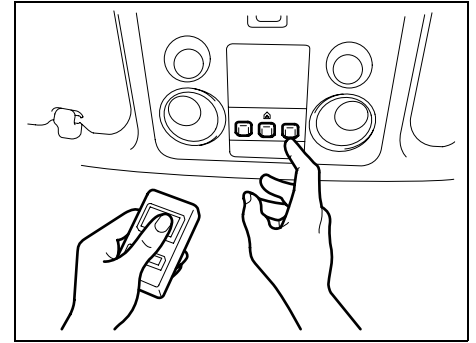
Retain the original transmitter of the RF device you are programming for use in other vehicles as well as for future HomeLink® programming. It is also suggested that upon the sale of the vehicle, the programmed HomeLink® buttons be erased for security purposes. Refer to “Programming HomeLink®” (step 1) only or, for assistance, contact HomeLink® at [www.homelink.com](http://www.homelink.com) or by calling 1-800-355-3515.

### Programming HomeLink®

#### NOTE:

*Some vehicles may require the ignition switch to be turned to the second (or “accessories”) position or the “on” position for programming and/or operation of HomeLink®. It is also recommended that a new battery be placed in the hand-held transmitter of the device being programmed to HomeLink® for quicker training and accurate transmission of the radio-frequency signal. Do not repeat “Programming HomeLink®” – step 1) to train additional devices to a second or third*

*HomeLink® button. Begin with “Programming HomeLink®” – step 2).*



66J050

- 1) Press and hold the two outer HomeLink® buttons (buttons one and three) – releasing only when the indicator light begins to flash (after 20 seconds). Do not hold the buttons for longer than 30 seconds and do not repeat step 1) to program a second and/or third hand-held transmitter to the remaining two HomeLink® buttons.
- 2) Position the end of your hand-held transmitter 5–14 cm (1–3 inches) away from the HomeLink® button you wish to program while keeping the indicator light in view.
- 3) Simultaneously press and hold both the chosen HomeLink® and hand-held transmitter buttons. Do not release the buttons until step 4) has been completed.

**NOTE:**

Some gate operators and garage door openers may require you to replace this Programming step 3) with procedures noted in the “Gate Operator / Canadian Programming” section.

- 4) After the HomeLink<sup>®</sup> indicator light changes from a slow to a rapidly blinking light, release both the HomeLink<sup>®</sup> and hand-held transmitter buttons.

**NOTE:**

If the HomeLink<sup>®</sup> indicator light does not change to a rapidly blinking light, contact HomeLink<sup>®</sup> at [www.homelink.com](http://www.homelink.com) or call 1-800-355-3515 for assistance.

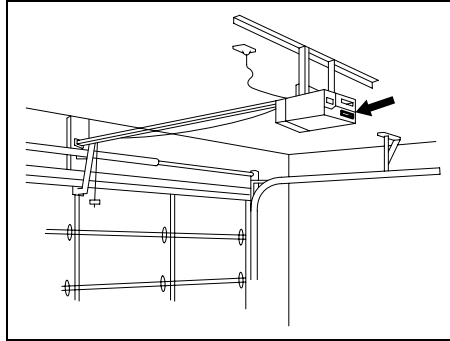
- 5) Press and hold the just-trained HomeLink<sup>®</sup> button and observe the indicator light.
  - If the indicator light stays on constantly, programming is complete and your device should activate when the HomeLink<sup>®</sup> button is pressed and released.

**NOTE:**

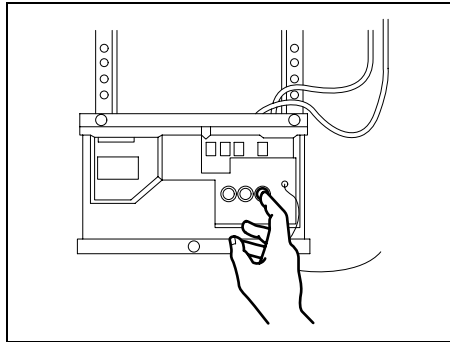
To program the remaining two HomeLink<sup>®</sup> buttons, begin with “Programming HomeLink<sup>®</sup>” – step 2). Do not repeat step 1).

- If the indicator light blinks rapidly for two seconds and then turns to a constant light continue with “Programming

HomeLink<sup>®</sup>” steps 6–8 to complete the programming of a rolling code equipped device (most commonly a garage door opener).



66J051



66J052

- 6) At the garage door opener receiver (motor-head unit) in the garage, locate the “learn” or “smart” button. This can usually be found where the hanging antenna wire is attached to the motor-head unit.
- 7) Firmly press and release the “learn” or “smart” button. (The name and color of the button may vary by manufacturer.)

**NOTE:**

There are 30 seconds in which to initiate step 8).

- 8) Return to the vehicle and firmly press, hold for two seconds and release the programmed HomeLink<sup>®</sup> button. Repeat the “press/hold/release” sequence a second time, and, depending on the brand of the garage door opener (or other rolling code equipped device), repeat this sequence a third time to complete the programming process. HomeLink<sup>®</sup> should now activate your rolling code equipped device.

**NOTE:**

To program the remaining two HomeLink<sup>®</sup> buttons, begin with “Programming HomeLink<sup>®</sup>” – step 2). Do not repeat step 1).

For questions or comments, please contact HomeLink<sup>®</sup> at [www.homelink.com](http://www.homelink.com) or 1-800-355-3515.

## OTHER CONTROLS AND EQUIPMENT

---

### Gate Operator / Canadian Programming

Canadian radio-frequency laws require transmitter signals to “time-out” (or quit) after several seconds of transmission – which may not be long enough for HomeLink® to pick up the signal during programming. Similar to this Canadian law, some U.S. gate operators are designed to “time-out” in the same manner.

If you live in Canada or you are having difficulties programming a gate operator by using the Programming procedures (regardless of where you live), replace “Programming HomeLink®” step 3) with the following:

#### NOTE:

*If programming a garage door opener or gate operator, it is advised to unplug the device during the “cycling” process to prevent possible overheating.*

- 3) Continue to press and hold the HomeLink® button while you press and release – every two seconds (“cycle”) your hand-held transmitter until the frequency signal has successfully been accepted by HomeLink®. (The indicator light will flash slowly and then rapidly.)

Proceed with “Programming HomeLink®” step 4) to complete.

### Using HomeLink®

To operate, simply press and release the programmed HomeLink® button. Activation will now occur for the trained device (i.e. garage door opener, gate operator, security system, entry door lock, home/office lighting, etc.). For convenience, the hand-held transmitter of the device may also be used at any time. In the event that there are still programming difficulties or questions, contact HomeLink® at [www.homelink.com](http://www.homelink.com) or 1-800-355-3515.

### Erasing HomeLink® Buttons

To erase programming from the three buttons (individual buttons cannot be erased but can be “reprogrammed” as outlined below), follow the step noted:

Press and hold the two outer HomeLink® buttons until the indicator light begins to flash-after 20 seconds. Release both buttons. Do not hold for longer than 30 seconds. HomeLink® is now in the train (or learning) mode and can be programmed at any time beginning with “Programming HomeLink®” – step 2).

### Reprogramming a Single HomeLink® Button

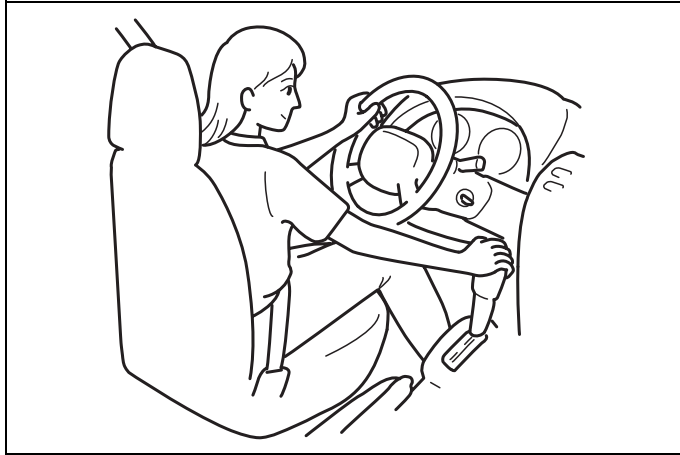
To program a device to HomeLink® using a HomeLink® button previously trained, follow these steps:

- 1) Press and hold the desired HomeLink® button. DO NOT release the button.

- 2) The indicator light will begin to flash after 20 seconds. Without releasing the HomeLink® button, proceed with “Programming HomeLink®” – step 2).

For questions or comments, contact HomeLink® at [www.homelink.com](http://www.homelink.com) or 1-800-355-3515.

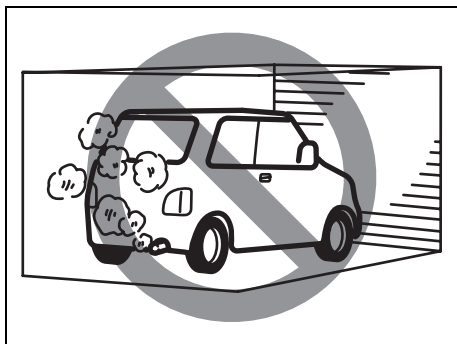
## OPERATING YOUR VEHICLE



60G408

Exhaust Gas Warning .....	6-1
Daily Inspection Checklist .....	6-2
Starting the Engine .....	6-2
Engine Block Heater (if equipped) .....	6-4
Using the Transmission .....	6-5
Using the Transfer Switch (if equipped) .....	6-7
Braking .....	6-15
Electronic Stability Program (ESP®) .....	6-18
Tire Pressure Monitoring System (TPMS) (if equipped) .....	6-21
Break-In .....	6-25
Catalytic Converter .....	6-25
Improving Fuel Economy .....	6-26

### Exhaust Gas Warning



52D334

#### **⚠ WARNING**

Avoid breathing exhaust gases. Exhaust gases contain carbon monoxide, a potentially lethal gas that is colorless and odorless. Since carbon monoxide is difficult to detect by itself, be sure to take the following precautions to help prevent carbon monoxide from entering your vehicle.

- Do not leave the engine running in garages or other confined areas.

(Continued)

#### **⚠ WARNING**

(Continued)

- Do not park with the engine running for a long period of time, even in an open area. If it is necessary to sit for a short time in a parked vehicle with the engine running, make sure the air intake lever is set to “FRESH AIR” and the fan is at high speed.
- Avoid operating the vehicle with the rear side door, tailgate or rear window open. If it is necessary to operate the vehicle with the rear side door, tailgate or rear window open, make sure the folding sunroof (if equipped) and all the windows are closed, and the fan is at high speed with the air intake selector set to “FRESH AIR”.
- To allow proper operation of your vehicle’s ventilation system, keep the air inlet grille in front of the windshield clear of snow, leaves or other obstructions at all times.
- Keep the exhaust tailpipe area clear of snow and other material to help reduce the buildup of exhaust gases under the vehicle. This is particularly important when parked in blizzard conditions.

(Continued)

#### **⚠ WARNING**

(Continued)

- Have the exhaust system inspected periodically for damage and leaks. Any damage or leaks should be repaired immediately.



## Daily Inspection Checklist

### Before Driving

- 1) Make sure that windows, mirrors, lights and reflectors are clean and unobstructed.
  - 2) Visually check the tires for the following points:
    - the depth of the tread groove
    - abnormal wear, cracks and damage
    - loose wheel nuts
    - existence of foreign material such as nails, stones, etc.
- Refer to “Tires” in “INSPECTION AND MAINTENANCE” section for details.
- 3) Look for fluid, oil leaks.

#### NOTE:

*It is normal for water to drip from the air conditioning system after use.*

- 4) Make sure the hood is fully closed and latched.
- 5) Check the headlights, turn signal lights, brake lights and horn for proper operation.
- 6) Lock all doors.
- 7) Adjust the seat and adjustable head restraints (if equipped).
- 8) Check the brake pedal and the parking brake lever.
- 9) Adjust the mirrors.
- 10) Make sure that you and all passengers have properly fastened your seat belts.

- 11) Make sure that all warning lights come on as the key is turned to the “ON” or “START” position.
- 12) Check all gauges.
- 13) Make sure that the BRAKE SYSTEM WARNING light turns off when the parking brake is released.

Once a week, or each time you fill your fuel tank, perform the following under-hood checks:

- 1) Engine oil level
  - 2) Coolant level
  - 3) Brake fluid level
  - 4) Power steering (if equipped) fluid level
  - 5) Windshield washer fluid level
  - 6) Hood latch operation
- Pull the hood release handle inside the vehicle. Make sure that you cannot open the hood all the way without releasing the secondary latch. Be sure to close the hood securely after checking for proper latch operation. See the item “All Latches, Hinges and Locks” of “CHASSIS AND BODY” in the “Periodic Maintenance Schedule” in the “INSPECTION AND MAINTENANCE” section for lubrication schedule.

### WARNING

**Make sure the hood is fully closed and latched before driving. If it is not, it can fly up unexpectedly during driving, obstructing your view and resulting in an accident.**

## Starting the Engine

### Before Starting the Engine

- 1) Make sure the parking brake is set fully.
  - 2) Manual Transmission – Shift into “N” (Neutral) and depress the clutch pedal all the way to the floor.  
Hold it while starting the engine.
- Automatic Transmission – If the gear-shift lever is not in “P” (Park) position, shift into “P”. (If you need to re-start the engine while the vehicle is moving, shift into “N”.)

#### NOTE:

*The engine of manual transmission vehicle will not start unless the clutch pedal is depressed.*

#### NOTE:

*Automatic transmission vehicles have a starter interlock device which is designed to keep the starter from operating if the transmission is in any of the drive positions.*

### WARNING

**Make sure that the parking brake is set fully and the transmission is in Neutral (or Park for vehicles with an automatic transmission) before attempting to start the engine.**

## OPERATING YOUR VEHICLE

### Starting a Cold Engine

With your foot off the accelerator pedal, crank the engine by turning the ignition key to "START". Release the key when the engine starts.

#### CAUTION

- Stop turning the starter immediately after the engine has started or the starter system can be damaged.
- Do not crank the engine for more than 15 seconds at a time. If the engine doesn't start on the first try, wait about 15 seconds before trying again.

If the engine does not start after 15 seconds of cranking, wait about 15 seconds, then press down the accelerator pedal to 1/3 of its travel and try cranking the engine again. Release the key and accelerator pedal when the engine starts.

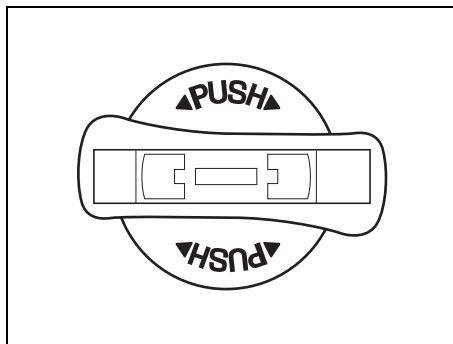
If the engine still does not start, try holding the accelerator pedal all the way to the floor while cranking. This should clear the engine if it is flooded.

If you are unable to start the engine using this procedure, consult your SUZUKI dealer.

### Starting a Warm Engine

Use the same procedure as for "Starting a Cold Engine".

### Vehicle With Keyless Start System

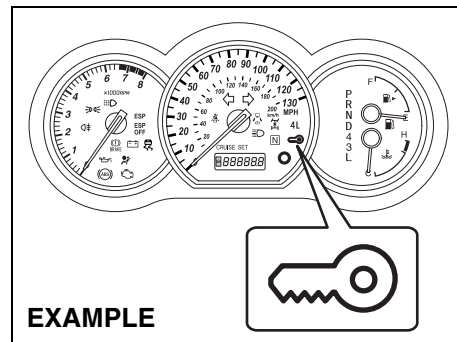


63J265

The ignition switch can be operated when the remote controller is in the vehicle except the rear luggage area. To turn the ignition switch, push the switch first.

#### NOTE:

You must push in the ignition switch to turn it from the "LOCK" position to the "ACC" position. To return to the "LOCK" position from the "ACC" position, turn the ignition switch counterclockwise while pushing in the switch.



66J022

If the keyless start system blue indicator light illuminates on the instrument cluster, you can turn the ignition switch. If the red indicator light illuminates, you can not turn the ignition switch.

#### NOTE:

- The ignition switch can be turned to the "ACC" position when the keyless start system blue indicator light illuminates. The blue indicator light will illuminate for several seconds and then turn off to protect the system. In this case, you must release the ignition switch once and push the switch again.
- If the keyless start system red indicator light illuminates, the remote controller may not be in the vehicle or the battery of the remote controller may be unreliable.

When the remote controller is in the vehicle except the rear luggage area, you can turn the ignition switch without using an ignition key.

**NOTE:**

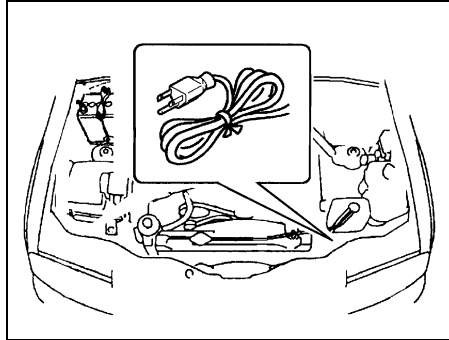
- If the battery of the remote controller runs down or there are strong radio waves or noise, the operating range may be narrower or the remote controller may be inoperative.
- If the remote controller is too close to the door glass, it may not operate.
- The ignition switch may not turn when the remote controller is on the instrument panel, in the glove box, in the door pocket, in the sun visor or on the floor.

**CAUTION**

**The remote controller is a sensitive electronic instrument. To avoid damaging it, do not expose it to impacts, moisture or high temperature (such as on the dashboard under direct sunlight).**

You can also turn the ignition switch by inserting the ignition key into the slot.

**Engine Block Heater (if equipped)**



65D420

The engine block heater will help you start the engine more easily in very cold weather (-18°C (0°F) or below). To use the engine block heater:

- 1) Turn off the engine.
- 2) Open the engine hood.
- 3) Untie the block heater cord and remove the block heater plug cap. When the engine block heater is not in use, ensure the heater cord is secured to prevent contact with any moving parts.
- 4) Using a heavy-duty, three-prong grounded extension cord, plug the female end into the block heater socket and the male end into a normal, grounded 110-volt AC outlet.

**NOTE:**

Activate the heater at least four hours before you start the engine. However, as the heating time varies depending on the ambient temperature and other factors, adjust the time by observing the engine cranking condition.

**▲ WARNING**

**To avoid serious personal injury caused by electrical shock or fire:**

- Do not plug the cord into a non-grounded outlet. Only use a properly grounded three-prong 110-volt AC outlet.
- Do not use a 2-wire (non-grounded) extension cord.
- Only use a heavy-duty, three-prong extension cord rated for at least 15 amps.

After using the block heater:

- 1) Unplug the extension cord and reinstall the plug cap.
- 2) Tie the block heater cord back to its original position.

**CAUTION**

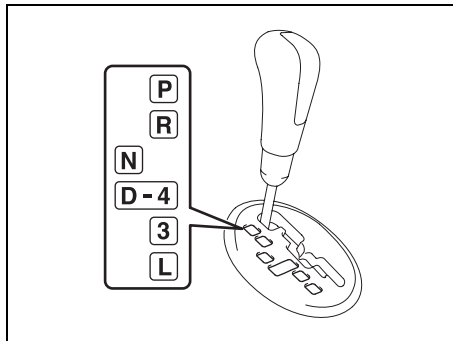
**Secure the block heater cord back to its original position or to the routed position. A loose cord could get caught in the engine accessory drive belt(s) or other moving parts.**

## OPERATING YOUR VEHICLE

- 3) Close the engine hood securely before starting the engine.

### Using the Transmission

#### 5-Speed Automatic Transmission



66J003

- D:**  
**5-speed automatic transmission mode**
- 4:**  
**4-speed automatic transmission mode**

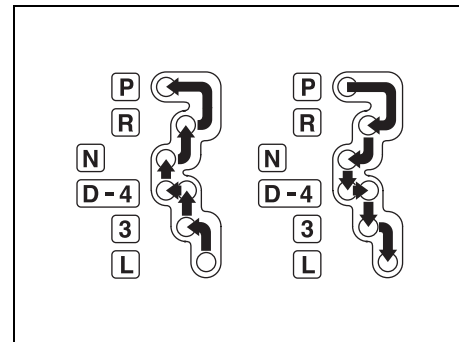
The 4-speed mode is suitable for the following driving conditions:

- Driving on hilly, winding roads
  - You can drive more smoothly with less frequent gearshifting
- Going down a steep hill
  - Some engine braking is provided

#### NOTE:

With the transfer switch in the “4L LOCK” position, the 5-speed automatic transmission will remain in the 4-speed mode.

#### Gearshift lever



66J004

The gearshift lever is designed so that it can not be shifted out of the “P” position unless the ignition switch is in the “ON” position and the brake pedal is depressed.


#### **⚠ WARNING**

**Always depress the brake pedal before shifting from “P” (Park) (or “N” (Neutral) if the vehicle is stationary) to a forward or reverse gear, to help prevent the vehicle from moving unexpectedly when you shift.**

Use the gearshift lever positions as described below:

**P (Park)**

Use this position to lock the transmission when the vehicle is parked or when starting the engine. Shift into Park only when the vehicle is completely stopped.

 <b>WARNING</b>
<p><b>If you have a 4-wheel drive vehicle, never leave the transfer switch in “N” (Neutral) position when parked. Otherwise the vehicle may roll even if the transmission is in Park.</b></p>

**R (Reverse)**

Use this position to back the vehicle from stop. Make sure that the vehicle is completely stopped before shifting into Reverse.

**N (Neutral)**

Use this position for starting the engine if the engine stalls and you need to restart it while the vehicle is moving. You may also shift into Neutral and depress the brake pedal to hold the vehicle stationary during idling.

**D (Drive)**

Use this position for all normal driving.

With the selector in “D” range, you can get an automatic downshift by pressing the accelerator pedal. The higher the vehicle

speed is, the more you will need to press the accelerator pedal to get a downshift.

**4 (Low 3)**

Use this position for driving on moderate uphill and downhill gradients. The engine braking effect on moderate downhills can be used in this position. The transmission shifts up only to 4th gear.

**3 (Low 2)**

Use this position to provide extra power when climbing hills, or to provide engine braking when going down hills.

**L (Low 1)**

Use this position to provide maximum power when climbing steep hills or driving through deep snow or mud, or to provide maximum engine braking when going down steep hills.

*NOTE:*

*If you move the gearshift lever to a lower gear while driving faster than the maximum allowable speed for the lower gear, the transmission will not actually downshift until your speed drops below the maximum speed for the lower gear.*

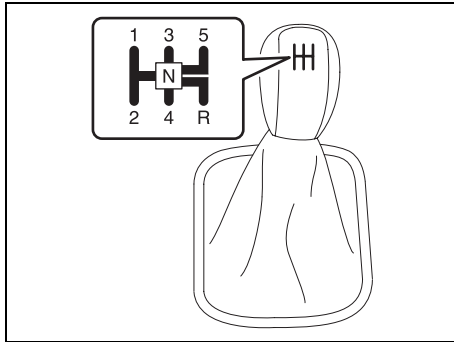
<p><b>CAUTION</b></p>
<p><b>Be sure to take the following precautions to help avoid damage to the automatic transmission:</b></p> <ul style="list-style-type: none"> <li>• <b>Make sure that the vehicle is completely stopped before shifting into “P” or “R”.</b></li> <li>• <b>Do not shift from “P” or “N” to “R”, “D”, “4”, “3” or “L” when the engine is running above idle speed.</b></li> <li>• <b>Do not rev the engine with the transmission in a drive position (“R”, “D”, “4”, “3” or “L”) and the rear wheels not moving.</b></li> <li>• <b>Do not use the accelerator to hold the vehicle on a hill. Use the vehicle’s brakes.</b></li> </ul>

**Emergency shifting out of “P” (Park)**

If you are unable to shift the transmission out of Park in the normal manner, see “If You Can Not Shift Automatic Transmission Gearshift Lever Out Of “P” (PARK)” in the INDEX for what to do.

## OPERATING YOUR VEHICLE

### Manual Transmission



65D449

#### Starting off

To start off, depress the clutch pedal all the way to the floor and shift into 1st gear. After releasing the parking brake, gradually release the clutch. When you hear a change in the engine's sound, slowly press the accelerator while continuing to gradually release the clutch.

#### Shifting

All forward gears are synchronized, which provides for quiet, and easy shifting. Always push in the clutch pedal fully before shifting gears. Make sure the engine speed does not rise into the red zone of the tachometer.

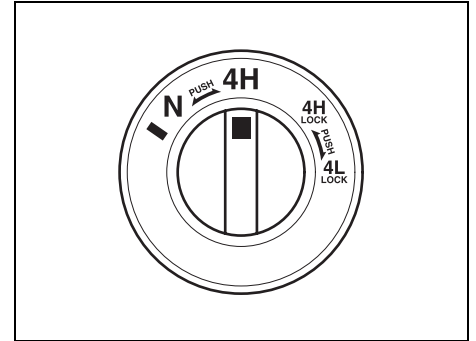
### ⚠ WARNING

- Reduce your speed and downshift to a lower gear before going down a long or steep hill. Downshifting will allow the engine to provide braking. Avoid riding the brakes or they may overheat, resulting in brake failure.
- When driving on slippery roads, be sure to slow down before downshifting. Large and sudden changes in engine speed may cause loss of traction, which could cause you to lose control.
- Make sure that the vehicle is completely stopped before you shift into reverse.

### CAUTION

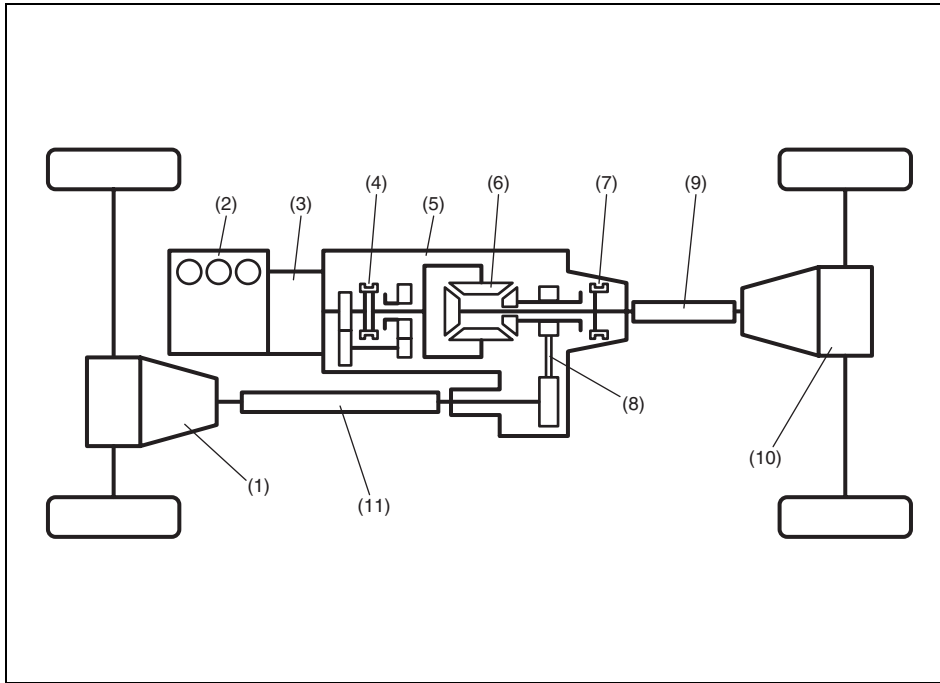
- To help avoid clutch damage, do not use the clutch pedal as a footrest while driving or use the clutch to keep the vehicle stationary on a hill. Depress the clutch fully when shifting.
- When shifting or starting off, do not race the engine. Racing the engine can shorten engine life and affect smooth shifting.

### Using the Transfer Switch (if equipped)



66J168

Your vehicle is equipped with a four-mode full-time 4x4 system. You can use the transfer switch to select any of the four modes: N, 4H, 4H LOCK, 4L LOCK.



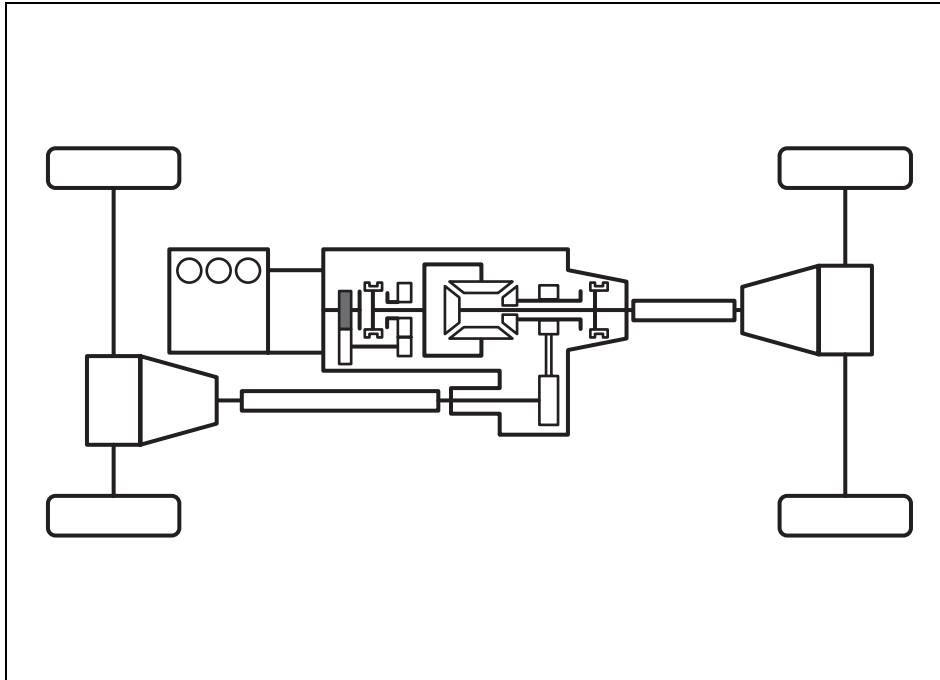
- (1) Front differential
- (2) Engine
- (3) Transmission
- (4) High/Low clutch
- (5) Transfer case
- (6) Center differential
- (7) Differential lock clutch
- (8) Chain
- (9) Rear propeller shaft
- (10) Rear differential
- (11) Front propeller shaft

64J143

## OPERATING YOUR VEHICLE

### Description of Transfer Switch Positions

#### N (Neutral)



In this position, engine power is not supplied to the front or rear axles. Only use this position for towing your vehicle. When you turn the transfer switch to the "N" position, "N" indicator will come on with the buzzer sound.

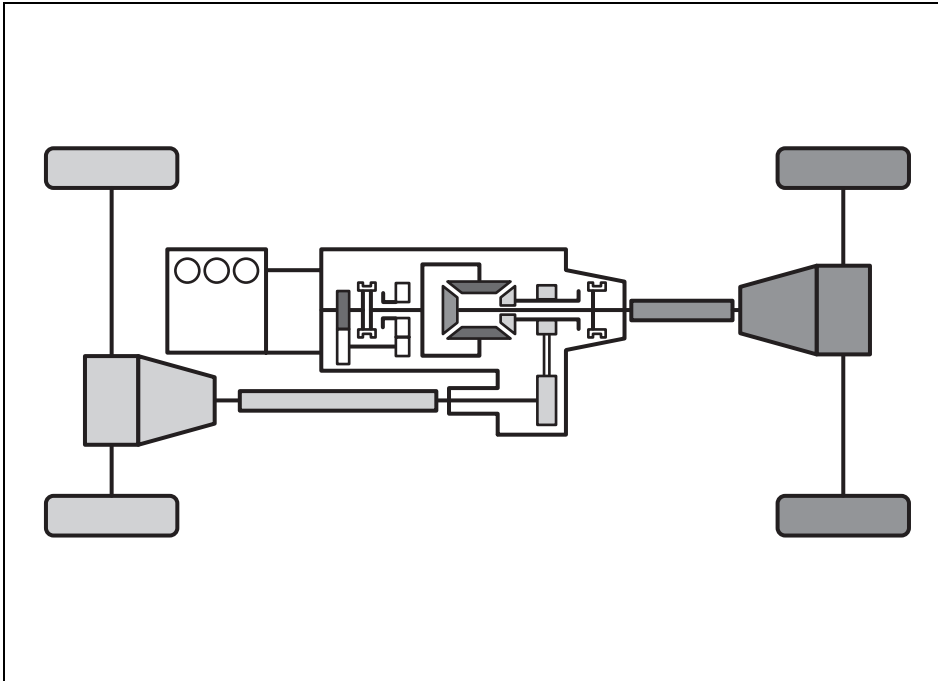
#### **WARNING**

**Never leave the transfer switch in "N" (Neutral) when parked. When the transfer switch is in "N" (Neutral), the vehicle may roll even if the transmission is in gear or in Park.**

64J223



### 4H (4-wheel drive high range)



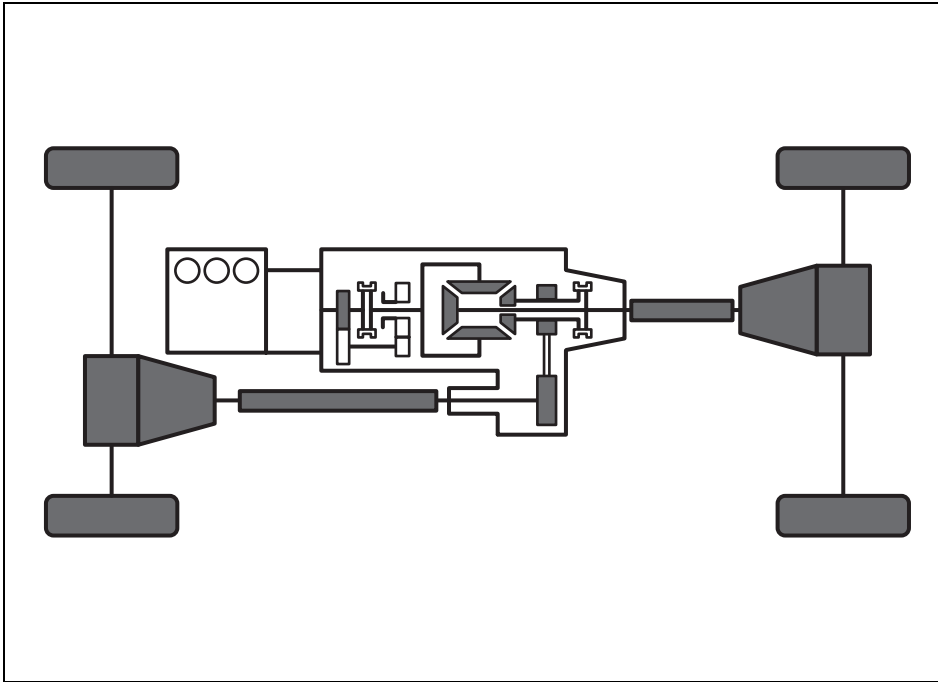
In this position, engine power is supplied to the front and rear axles. Use this position for normal driving.

64J220

## OPERATING YOUR VEHICLE

---

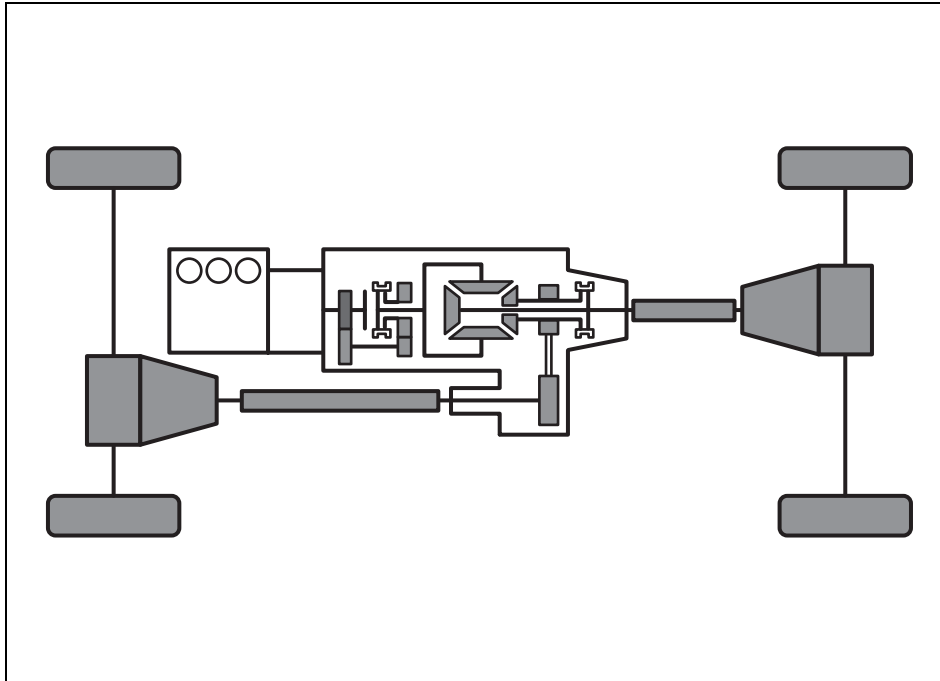
### 4H LOCK (4-wheel drive high range center differential lock)



In this position, engine power is supplied to the front and rear axles and you get better traction than when driving in "4H". Use this position when you need better traction than "4H" provides, such as when driving on slippery roads etc.

64J221

### 4L LOCK (4-wheel drive low range center differential lock)



In this position, engine power is supplied to the front and rear axles and you get better traction and more low-speed torque than when driving in “4H”. Use this position when you need better traction than “4H” provides and more low-speed torque than “4H LOCK” provides, such as when climbing or descending steep, slippery hills etc.

**NOTE:**

*When the transfer switch (if equipped) is turned to the “4L LOCK” position, the ESP<sup>®</sup> systems (other than ABS) will be canceled to provide improved vehicle traction, and the “ESP OFF” indicator light will come on.*

*When the transfer switch (if equipped) is turned to the “4L LOCK” position, brake-traction control can be activated. Brake-traction control brakes the spinning wheel to distribute drive power to the other wheels for increased climbing ability or for better performance on a rolling hill or a slippery surface.*

ESP<sup>®</sup> is a registered trademark of DaimlerChrysler AG.

64J222

## OPERATING YOUR VEHICLE

### Transfer Switch Operation

Operate the transfer switch according to the appropriate procedure described below:

#### From N to 4H

Stop the vehicle completely, place the transmission in "N" (Neutral) and depress the brake pedal and the clutch pedal fully (if equipped), then push in and turn the switch to shift into "4H".

#### From 4H to 4H LOCK

You can operate the transfer switch either when the vehicle is stopped or while the vehicle is moving.

Position the front wheels straight ahead and turn the switch to shift into "4H LOCK". If the vehicle is moving, we recommend that the speed be less than 100 km/h (60 mph) during this operation.

### CAUTION

**Do not operate the transfer switch while tires are racing.**

#### NOTE:

- When shifting between the transfer switch position and the transfer gear position is unmatched, all 4WD indicators will blink and the buzzer will sound.
- If it is difficult to shift between "4H" and "4H LOCK" while the vehicle is moving, try accelerating and decelerating your vehicle several times after turning the

*transfer switch. Be sure to wait until traffic conditions allow you to accelerate and decelerate safely before using this procedure.*

#### From 4H LOCK to 4L LOCK

Stop the vehicle completely, place the transmission in "N" (Neutral) and depress the brake pedal and the clutch pedal fully (if equipped), then push in and turn the switch to shift into "4L LOCK".

#### From 4L LOCK to 4H LOCK

Stop the vehicle completely, place the transmission in "N" (Neutral) and depress the brake pedal and the clutch pedal fully (if equipped), then push in and turn the switch to shift into "4H LOCK".

#### From 4H LOCK to 4H

You can operate the transfer switch either when the vehicle is stopped or while the vehicle is moving.

Position the front wheels straight ahead and turn the switch to shift into "4H". If the vehicle is moving, we recommend that the speed be less than 100 km/h (60 mph) during this operation.

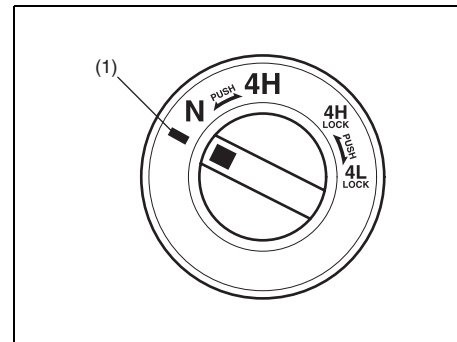
### CAUTION

**Do not operate the transfer switch while tires are racing.**

#### NOTE:

- When shifting between the transfer switch position and the transfer gear position is unmatched, all 4WD indicators will blink and the buzzer will sound.
- If it is difficult to shift between "4H" and "4H LOCK" while the vehicle is moving, try accelerating and decelerating your vehicle several times after turning the transfer switch. Be sure to wait until traffic conditions allow you to accelerate and decelerate safely before using this procedure.

#### From 4H to N



64J209

Stop the vehicle completely, place the transmission in "N" (Neutral) and depress the brake pedal and the clutch pedal fully (if equipped), then push in and turn the switch to the mark (1) at the left of the "N" position, and hold the switch in this posi-

tion for 5 seconds until the “N” indicator blinks, then turn the switch to the “N” position.

When you turn the transfer switch to the “N” position, “N” indicator will come on with the buzzer sound.

### CAUTION

- **Be sure to stop the vehicle completely before operating the transfer switch to shift between “N” and “4H”, or between “4H LOCK” and “4L LOCK”.**
- **Do not shift between “4H” and “4H LOCK” unless the front wheels are in the straight-ahead position and we recommend that the vehicle speed be less than 100 km/h (60 mph).  
Do not operate the transfer switch while tires are racing.**
- **Do not operate your vehicle in “4H LOCK” or “4L LOCK” on dry, hard surfaces.**

(Continued)

### CAUTION

(Continued)

- **Do not operate the vehicle while a 4WD mode indicator is blinking except when shifting between “4H” and “4L LOCK”.**








If you operate the vehicle while a 4WD mode indicator is blinking, a buzzer will sound and the transfer will shift to “N” (Neutral) to prevent transfer case damage.

In this case, use the following procedure.

- 1) **Depress the clutch pedal fully (if equipped) or shift the automatic transmission gearshift lever to the “N” position.**
- 2) **Turn the transfer switch to the position previously selected.**
- 3) **Operate the transfer switch again.**

## OPERATING YOUR VEHICLE

### The basic operation for transfer switch

Current Position	Current Indicator	Target Position	Target Indicator
N		4H	-
4H	-	N	
		4H LOCK	
4H LOCK		4H	-
		4L LOCK	 4L
4L LOCK	 4L	4H LOCK	

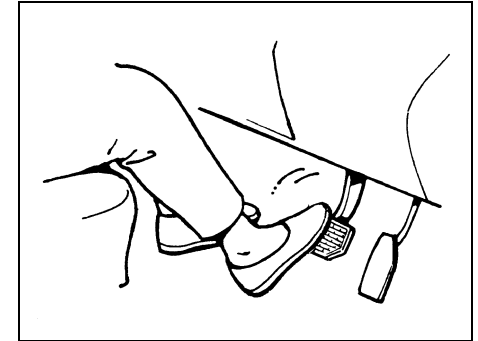
N: Neutral

4H: 4-wheel drive high range mode

4H LOCK: 4-wheel drive high range center differential lock mode

4L LOCK: 4-wheel drive low range center differential lock mode

## Braking



60G165

The distance needed to bring any vehicle to a halt increases with the speed of the vehicle. The braking distance needed, for example, at 60 km/h (37 mph) will be approximately 4 times greater than the braking distance needed at 30 km/h (19 mph). Start to brake the vehicle when there is plenty of distance between your vehicle and the stopping point, and slow down gradually.

**⚠ WARNING**

If water gets into the brake drums, brake performance may become poor and unpredictable. After driving through water or washing the underside of the vehicle, test the brakes while driving at a slow speed to see if they have maintained their normal effectiveness. If the brakes are less effective than normal, dry them by repeatedly applying the brakes while driving slowly until the brakes have regained their normal effectiveness.

**Power Assisted Brakes**

Your vehicle has power assisted brakes. If power assistance is lost due to a stalled engine or other failures, the system is still fully operational on reserve power and you can bring the vehicle to a complete stop by pressing the brake pedal once and holding it down. The reserve power is partly used up when you depress the brake pedal and reduces each time the pedal is pressed. Apply smooth and even pressure to the pedal. Do not pump the pedal.

**⚠ WARNING**

Even without reserve power in the brake system, you can still stop the vehicle by pressing the brake pedal harder than normally required. However, the stopping distance may be longer.

**Brake Assist System**

When you slam the brakes on, the brake assist system judges as an emergency stop and provides more powerful braking for a driver who cannot hold down the brake pedal firmly.

*NOTE:*

*If you depress the brakes forcefully, you may hear a clicking sound in the brake pedal. This is normal and indicates that the brake assist system is activated properly.*

**Anti-Lock Brake System (ABS)**

ABS will help you avoid skidding by electronically controlling braking pressure. It will also help you maintain steering control when braking on slippery surfaces or when braking hard.

The ABS works automatically, so you do not need any special braking technique. Just push the brake pedal down without pumping. The ABS will operate whenever it senses that the wheels are locking up.

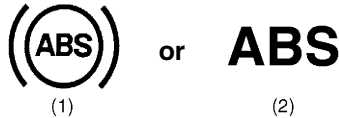
You may feel the brake pedal pulsate while the ABS is operating.

*NOTE:*

*The ABS will not work if vehicle speed is under 5 – 6 km/h (3 – 4 mph).*

### WARNING

- On some types of loose surfaces (such as gravel, snow-covered roads, etc.), the stopping distance required for an ABS-equipped vehicle may be slightly greater than for a comparable vehicle with a conventional brake system. With a conventional brake system, skidding tires are able to “plow” the gravel or snow layer, shortening the stopping distance. ABS minimizes this resistance effect. Allow for extra stopping distance when driving on loose surfaces.
- On regular paved roads, some drivers may be able to obtain slightly shorter stopping distances with conventional brake systems than with ABS.
- In both of the above conditions, ABS will still offer the advantage of helping you maintain directional control. However, remember that ABS will not compensate for bad road or weather conditions or poor driver judgment. Use good judgment and do not drive faster than conditions will safely allow.



54G140

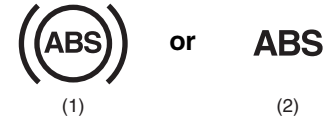
### WARNING

If the ABS warning light ((1) or (2)) on the instrument panel comes on and stays on while driving, there may be a problem with the ABS system.

If this happens:

- 1) Pull off the road and stop carefully.
- 2) Turn the ignition switch to “LOCK” and then start the engine again.

If the warning light comes on briefly then turns off, the system is normal. If the warning light still stays on, have the system inspected by your SUZUKI dealer immediately. If the ABS system becomes inoperative, the brake system will function as an ordinary brake system that has no ABS.



65D451

### WARNING

If the ABS warning light ((1) or (2)) and the Brake system warning light (3) on the instrument panel simultaneously stay on or come on when driving, both anti-lock function and rear brake force control function (Proportioning valve function) of the ABS system may have failed. This could cause the rear wheels to skid or the vehicle to spin during braking on a slippery road or hard braking on a dry paved road. If both warning lights come on, drive carefully, avoiding hard braking as much as possible, and ask your SUZUKI dealer to inspect the ABS system immediately.



### How the ABS Works

A computer continuously monitors wheel speed. The computer compares the changes in wheel speed when braking. If the wheels slow suddenly, indicating a skidding situation, the computer will change braking pressure several times each second to prevent the wheels from locking. When you start your vehicle or when you accelerate after a hard stop, you may hear a momentary motor or clicking sound as the system resets or checks itself.

#### WARNING

**The ABS may not work properly if tires or wheels other than those specified in the owner's manual are used. This is because the ABS works by comparing changes in wheel speed. When replacing tires or wheels, use only the size and type specified in this owner's manual.**

### Electronic Stability Program (ESP®)

ESP® is a registered trademark of DaimlerChrysler AG.

The Electronic Stability Program (ESP®) helps to control the vehicle during cornering if the vehicle is understeering or oversteering. It also assists you in maintaining traction while accelerating on loose or slippery road surfaces. It does this by regulating the engine's output, and by selectively applying the brakes. In addition, ESP® helps to avoid skidding by controlling braking pressure.

#### WARNING

**The ESP® cannot enhance the vehicle's driving stability in all situations and does not control your vehicle's entire braking system. The ESP® cannot prevent accidents, including those resulting from excessive speed in turns, or hydroplaning. Only a safe and attentive driver can prevent accidents. The capabilities of an ESP®-equipped vehicle must never be used as a substitute for careful driving.**

The ESP® has the following three systems:

#### Stability Control System

The vehicle stability control system helps provide integrated control of systems such as anti-lock brakes, traction control, engine control, etc. This system automatically controls the brakes and engine to help prevent the vehicle from skidding when cornering on a slippery road surface or when turning the steering wheel abruptly.

#### Traction Control System

The traction control system automatically helps prevent the spinning of wheels when the vehicle is started or accelerated on slippery road surfaces. The system operates only if it senses that some of the wheels are spinning or beginning to lose traction. When this happens, the system operates the front or rear brakes and reduces engine power to limit wheel spin.

#### NOTE:

*You may hear a clicking sound in the engine compartment for a few seconds when you start the engine or just after the vehicle begins to move. This means that the above systems are in the self-check mode. This sound does not indicate a malfunction.*

## OPERATING YOUR VEHICLE

### Anti-Lock Braking System (ABS)

ABS will help you avoid skidding by electronically controlling braking pressure. It will also help you maintain steering control when braking on slippery surfaces or when braking hard. The ABS works automatically, so you do not have to use any special braking technique. Just push the brake pedal down without pumping. The ABS will operate whenever it senses that wheels are locking up. You may feel the brake pedal pulsate while the ABS is operating. (For more information on ABS, see “Braking” in the “OPERATING YOUR VEHICLE” section.)

#### NOTE:

*If the ABS system is activated, you may hear a clunking noise and/or feel pulsating in the brake pedal. This is normal and indicates that the brake fluid pressure is being controlled properly.*

#### ⚠ WARNING

- The ESP® may not work properly if tires or wheels other than those specified in the Owner’s Manual are used. When replacing tires or wheels, use only the size and type specified in this Owner’s Manual.
- The ESP® may not work properly if tires are not inflated to the recommended tire inflation pressure.
- The ESP® may not work properly if tires are fitted with tire chains.
- The ESP® may not work properly if the tires are excessively worn. Be sure to replace tires when the tread wear indicators in the grooves appear on the tread surface.
- The ESP® is not a substitute for winter tires or tire chains on a snow covered road.

#### ⚠ WARNING

- The ESP® may not work properly if engine related parts such as the muffler are not equivalent to standard equipment or are extremely deteriorated.
- Do not modify the vehicle’s suspension since the ESP® may not operate correctly.

The ESP® indicator lights are described below:

### SLIP Indicator Light



66J033

When one of the ESP® systems other than ABS is activated, the SLIP indicator light in the instrument cluster blinks 5 times per second.

#### CAUTION

**If the SLIP indicator light comes on and stays on while driving, there may be a malfunction of the ESP® systems (other than ABS). You should have the systems inspected by an authorized SUZUKI dealer.**

#### NOTE:

*When the SLIP indicator light comes on and stays on while driving, indicating a malfunction of the ESP® systems (other than ABS), the brake system will function as an ordinary ABS with no additional ESP® functions.*

**NOTE:**

When you disconnect and re-connect the battery, ESP® system functions other than ABS will be deactivated and the slip indicator light will blink 1 time per second. In this case, use the following procedure to re-activate the ESP® systems:

- 1) Drive your vehicle straight ahead without tire slippage at a speed greater than approximately 15 km/h (9 mph) for a few seconds
- 2) The slip indicator light will go out and the ESP® systems (other than ABS) will be re-activated

It may take more than few seconds before the slip indicator light goes out depending on the road surface condition.

**“ESP” Warning Light**



66J031

When the ESP® systems (other than ABS) have a system malfunction, the “ESP” warning light in the instrument cluster comes on.

<b>CAUTION</b>
<b>If the “ESP” warning light comes on, or stays on while driving, there may be a malfunction of the ESP® systems (other than ABS). You should have the systems inspected by an authorized SUZUKI dealer.</b>

**NOTE:**

When the “ESP” warning light comes on, or stays on while driving, indicating a malfunction of the ESP® systems (other than ABS), the brake system will function as an ordinary ABS that has no additional ESP® functions.

**“ESP OFF” Indicator Light**

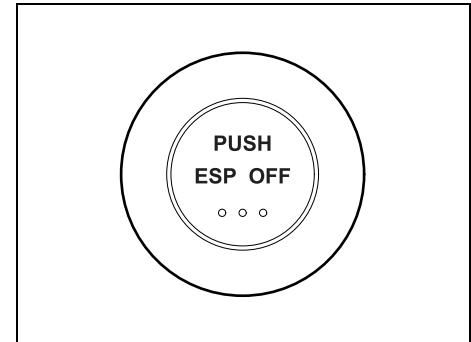


66J032

You should turn the ESP® on during your ordinary driving, so that you have the benefits of all of the ESP® systems.

It may be required to turn the ESP® systems (other than ABS) off if your vehicle is stuck in sand, mud, or snow, or when driving in extreme off-road conditions where wheel spin is necessary.

**“ESP OFF” switch**



66J039

When the “ESP OFF” switch located at the center of the instrument panel is pushed and held to turn off the ESP® systems (other than ABS), the “ESP OFF” indicator light in the instrument cluster comes on. When you push and hold the “ESP OFF” switch again, the “ESP OFF” indicator light will go out and all of the ESP® systems will be activated.

**NOTE:**

- When the vehicle speed is greater than approximately 30 km/h (19 mph), the ESP® systems (other than ABS) will turn on automatically and the “ESP OFF” indicator light will go out.
- When the transfer switch (if equipped) is turned to the “4L LOCK” position, the ESP® systems (other than ABS) will be canceled to provide improved vehicle

## OPERATING YOUR VEHICLE

traction, and the “ESP OFF” indicator light will come on.

When the transfer switch (if equipped) is turned to the “4L LOCK” position, brake-traction control can be activated. Brake-traction control brakes the spinning wheel to distribute drive power to the other wheels for increased climbing ability or for better performance on a rolling hill or a slippery surface.

- If the ESP<sup>®</sup> systems operate continuously, such as when driving on slippery roads, the traction control functions of the ESP<sup>®</sup> systems may be canceled temporarily to avoid overheating the brake pads, and the “ESP OFF” indicator light will come on. After a short period of time, the ESP<sup>®</sup> systems (other than ABS) will turn on automatically and the “ESP OFF” indicator light will go out.

### ABS Warning Light / Brake System Warning Light

See “Braking” in the “OPERATING YOUR VEHICLE” section.

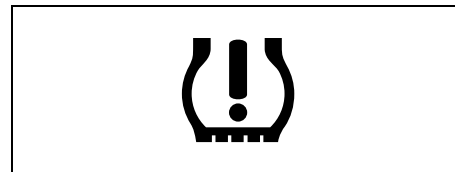
### Tire Pressure Monitoring System (TPMS) (if equipped)

The tire pressure monitoring system is designed to alert you when one or more of the tires on your vehicle is significantly under-inflated. A Tire Pressure Monitoring System (TPMS) sensor containing a unique identification code is mounted on each wheel. The TPMS sensors transmit tire pressure signals to a central receiver which relays the information to a tire pressure monitoring system controller. When the inflation pressure of one or more tires indicates significant under-inflation, the low tire pressure warning light shown below comes on.

#### NOTE:

The TPMS controller is not programmed to recognize the ID code of the TPMS sensor in your spare tire. The tire pressure monitoring system will only work with the spare tire if you bring your vehicle to an authorized SUZUKI dealer to register the ID code of the spare tire sensor. Refer to “Replacing Tires and/or Wheels” in this section.

### Low Tire Pressure Warning Light



52D305

#### ⚠ WARNING

Each tire, including the spare (if provided), should be checked monthly when cold and inflated to the inflation pressure recommended by the vehicle manufacturer on the vehicle placard or tire inflation pressure label. (If your vehicle has tires of a different size than the size indicated on the vehicle placard or tire inflation pressure label, you should determine the proper tire inflation pressure for those tires.)

As an added safety feature, your vehicle has been equipped with a tire pressure monitoring system (TPMS) that illuminates a low tire pressure telltale when one or more of your tires is significantly under-inflated.

(Continued)

**⚠ WARNING**

(Continued)

Accordingly, when the low tire pressure telltale illuminates, you should stop and check your tires as soon as possible, and inflate them to the proper pressure.

Driving on a significantly under-inflated tire causes the tire to over-heat and can lead to tire failure. Under-inflation also reduces fuel efficiency and tire tread life, and may affect the vehicle's handling and stopping ability.

Please note that the TPMS is not a substitute for proper tire maintenance, and it is the driver's responsibility to maintain correct tire pressure, even if under-inflation has not reached the level to trigger illumination of the TPMS low tire pressure telltale.

**⚠ WARNING**

The tire pressure monitoring system is not a substitute for regular tire pressure inspections. Check tire inflation pressures monthly when cold and set to the recommended inflation pressure as specified on the vehicle's tire information placard and in the owner's manual. Refer to "Tires" in the "INSPECTION AND MAINTENANCE" section.

**⚠ WARNING**

If the low tire pressure warning light does not come on when the ignition is turned to the "ON" position, or comes on and blinks while driving there may be a problem with the tire pressure monitoring system. Have your vehicle inspected by an authorized SUZUKI dealer. Even if the light turns off after blinking, indicating that the monitoring system has recovered, make sure to have an authorized SUZUKI dealer check the system.

**⚠ WARNING**

The load rating of your tires is reduced at lower inflation pressures. If your tires become even moderately under-inflated, the vehicle load may exceed the load rating of the tires, which can lead to tire failure. The low tire pressure warning light will not alert you of this condition. The warning light will only come on when one or more of your tires become significantly under-inflated. Check and adjust your tire inflation pressure at least once a month. Refer to "Tires" in the "INSPECTION AND MAINTENANCE" section.

### WARNING

If the low tire pressure warning light comes on and stays on, reduce your speed and avoid abrupt steering and braking. Stop in a safe place as soon as possible and check your tires.

- If you have a flat tire, replace it with the spare tire. Refer to “Jacking Instructions” in the “EMERGENCY SERVICE” section. Refer to “Replacing Tires and/or Wheels” for instructions on how to restore normal operation of the tire pressure monitoring system after you have had a flat tire.
- If one or more of your tires is under-inflated adjust the inflation pressure in all of your tires to the recommended inflation pressure as soon as possible.

Be aware that driving on a significantly under-inflated tire can cause the tire to overheat and can lead to tire failure, and may affect steering control and brake effectiveness. This could lead to an accident, resulting in severe injury or death.

The low tire pressure warning light can come on due to normal causes such as natural air leaks and pressure changes caused by changes in temperature or atmospheric pressure. Adjusting the air pressure in the tires to the pressure shown

on the tire information placard should cause the low tire pressure warning light to turn off.

If the light turns on again shortly after adjusting the pressure in your tires, you may have a flat tire. If you have a flat tire, replace it with the spare tire. Refer to “Jacking Instructions” in the “EMERGENCY SERVICE” section. Refer to “Replacing Tires and/or Wheels” for instructions on how to restore normal operation of the tire pressure monitoring system after you have had a flat tire.

#### NOTE:

- *When the tire inflation pressure is adjusted in high altitude areas, the low tire pressure light may not turn off even after tire inflation pressure adjustment. In this case, adjust the inflation pressure to a slightly higher pressure than is shown on the tire information placard.*
- *The low tire pressure warning light may turn off temporarily after coming on. This could be due to surface temperature increases after long distance driving or traveling to a high temperature area. Even if the tire pressure warning light turns off after coming on, make sure to check the inflation pressure of all tires.*
- *To reduce the chance that the low tire pressure warning light will come on due to normal changes in temperature and atmospheric pressure, it is important to check and adjust the tire pressures*

*when the tires are cold. Tires that appear to be at the specified pressure when checked after driving, when the tires are warm, could have pressure below the specification when the tires cool down. Also, tires that are inflated to the specified pressure in a warm garage may have pressure below the specification when the vehicle is driven outside in very cold temperature. If you adjust the tire pressure in a garage that is warmer than the outside temperature, you should add 1 psi to the recommended cold tire inflation pressure for every 10°F difference between garage temperature and outside temperature.*

For tire inflation pressure information, refer to “Tire Inflation Pressure” in the “INSPECTION AND MAINTENANCE” section.

### TPMS Malfunction Indicator

### WARNING

Your vehicle also has been equipped with a TPMS malfunction indicator to indicate when the system is not operating properly.

## WARNING

The TPMS malfunction indicator is combined with the low tire pressure telltale. When the system detects a malfunction, the telltale will flash for approximately one minute and then remain continuously illuminated. This sequence will continue upon subsequent vehicle start-ups as long as the malfunction exists.

When you turn off the engine, however, the malfunction indicator resets. It takes about ten minutes after restarting the engine for the malfunction to be detected again and for the light to start flashing.

## WARNING

When the malfunction indicator is illuminated, the system may not be able to detect or signal low tire pressure as intended. TPMS malfunctions may occur for a variety of reasons, including the installation of replacement or alternate tires or wheels on the vehicle that prevent the TPMS from functioning properly. Always check the TPMS malfunction telltale after replacing one or more tires or wheels on your vehicle to ensure that the replacement or alternate tires and wheels allow the TPMS to continue to function properly.

## CAUTION

- The tire pressure sensors can be damaged by the installation or removal of tires. When tires must be repaired or replaced, we highly recommend that you have them repaired or replaced by an authorized SUZUKI dealer.
- Do not use liquid sealants for a flat tire as air pressure sensors can be damaged.
- If the low tire pressure warning light comes on frequently, there may be something wrong with one of the tires or with the monitoring system. Have your vehicle inspected by an authorized SUZUKI dealer.

## TPMS Limitations

The tire pressure monitoring system may not function properly under certain circumstances. In the following situations, the low tire pressure warning light may come on and remain on or may blink.

- When you replace a flat tire with the spare tire.
- When you include the spare tire during a tire rotation.
- When the TPMS sensor is damaged during a tire replacement or liquid sealants are used to repair a flat tire.

- When the TPMS sensor's electronic signal is disturbed in one of the following ways:
  - Electric devices or facilities using similar radio wave frequencies are nearby.
  - A lot of snow or ice covers the vehicle, in particular, around the wheels or wheel housings.
  - Snow tires or tire chains are used.
- When you use non-genuine SUZUKI wheels or tires.

## Replacing Tires and/or Wheels

If you get a flat tire, Suzuki recommends that you have an authorized SUZUKI dealer mount a new tire on the wheel that had the flat tire, and reinstall this tire on the vehicle in place of the spare. The TPMS is already set up to recognize the ID code of the original wheel, and normal TPMS operation will be restored.

If you wish to operate your vehicle with the spare tire installed, you must have an authorized SUZUKI dealer set up the TPMS to recognize the ID code of the spare tire TPMS sensor.

If you need to replace any wheels on your vehicle, your dealer must make sure that TPMS sensors are installed in the new wheels and must set up the TPMS to recognize the new sensors.

### ⚠ WARNING

Only use tires and wheels recommended by SUZUKI as standard or optional equipment for your vehicle. Use of tires or wheels not recommended by SUZUKI can result in TPMS failure. Refer to “Tires” in the “INSPECTION AND MAINTENANCE” section for additional information.

### For Vehicles Sold in U.S.A.

This device complies with Part 15 of the FCC Rules.

Operation is subject to the following two conditions:

- 1) This device may not cause harmful interference.
- 2) This device must accept any interference received, including interference that may cause undesired operation.

### NOTE:

*Changes or modifications not expressly approved by the party responsible for compliance could void the user's authority to operate the equipment.*

### Traveling to CANADA

Please note that service for the tire pressure monitoring system may not be available in CANADA should there be any problems or malfunctions in the system.

## Break-In

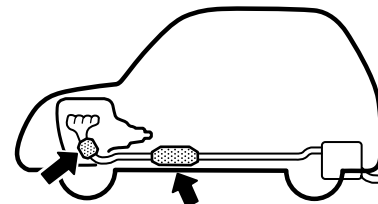
### CAUTION

The future performance and reliability of the engine depends on the care and restraint exercised during its early life. It is especially important to observe the following precautions during the initial 960 km (600 miles) of vehicle operation.

- After starting, do not race the engine. Warm it up gradually.
- Avoid prolonged vehicle operation at a constant speed. Moving parts will break in better if you vary your speed.
- Start off from a stop slowly. Avoid full throttle starts.
- Avoid hard stopping, especially during the first 320 km (200 miles) of driving.
- Do not drive slowly with the transmission in a high gear.
- Drive the vehicle at moderate engine speeds.
- Do not tow a trailer during the first 960 km (600 miles) of vehicle operation.

## Catalytic Converter

### EXAMPLE



54G236

The purpose of the catalytic converter is to minimize the amount of harmful pollutants in your vehicle's exhaust. Use of leaded fuel in vehicles equipped with catalytic converters is prohibited by federal law, because lead deactivates the pollutant-reducing components of the catalyst system.

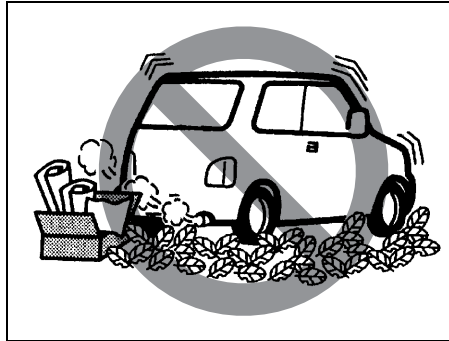
The converter is designed to last the life of the vehicle under normal usage and when unleaded fuel is used. No special maintenance is required on the converter. However, it is very important to keep the engine properly tuned. Engine misfiring, which can result from an improperly tuned engine, may cause overheating of the catalyst. This may result in permanent heat damage to the catalyst and other vehicle components.



**CAUTION**

To minimize the possibility of catalyst or other vehicle damage:

- Maintain the engine in the proper operating condition.
- In the event of an engine malfunction, particularly one involving engine misfire or other apparent loss of performance, have the vehicle serviced promptly.
- Do not shut off the engine or interrupt the ignition when the transmission is in gear and the vehicle is in motion.
- Do not try to start the engine by pushing or towing the vehicle or coasting down a hill.
- Do not idle the engine with any spark plug wires disconnected or removed, such as during diagnostic testing.
- Do not idle the vehicle for prolonged periods if idling seems rough or there are other malfunctions.
- Do not allow the fuel tank to get near the empty level.



54G584S

**▲ WARNING**

Be careful where you park and drive; the catalytic converter and other exhaust components can get very hot. As with any vehicle, do not park or operate this vehicle in areas where combustible materials such as dry grass or leaves can come in contact with a hot exhaust system.

**Improving Fuel Economy**

The following instructions will help you improve fuel economy.

**Avoid excessive idling**

If you are to wait for more than a minute while you are parked, stop the engine and start it again later. When warming up a cold engine, allow the engine to idle until the temperature gauge pointer comes up to the “C” position. In this position, the engine is sufficiently warm for starting off.

**Avoid “jackrabbit” starts**

Fast starts away from lights or stop signs will consume fuel unnecessarily and shorten engine life. Start off slowly.

**Avoid unnecessary stops**

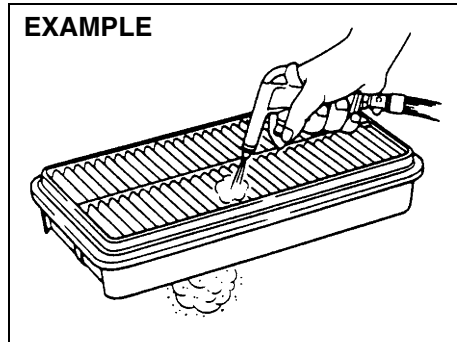
Avoid unnecessary deceleration and stopping. Try to maintain a slow, steady speed whenever possible. Slowing down and then accelerating again uses more fuel.

**Keep a steady cruising speed**

Keep as constant a speed as road and traffic conditions will permit.

## OPERATING YOUR VEHICLE

---



60A183S

### **Keep the air cleaner clean**

A dirty air cleaner will cause the fuel injection system to supply too much fuel to the engine for the amount of air being supplied. The result is waste of fuel due to incomplete fuel burning.

### **Keep weight to a minimum**

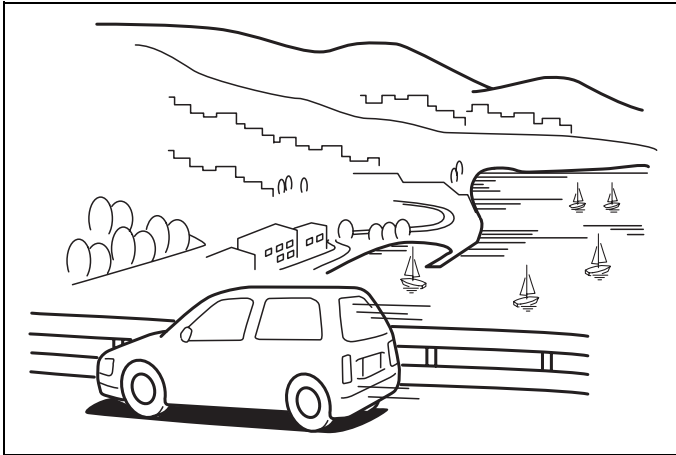
The heavier the load, the more fuel the vehicle consumes. Take out any luggage or cargo when it is not necessary.

### **Keep tire pressure correct**

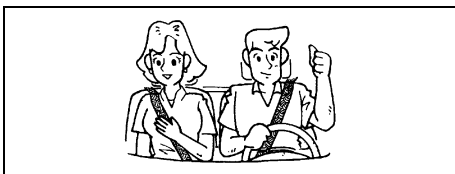
Underinflation of the tires can waste fuel due to increased running resistance of the tires. Keep your tires inflated to the correct pressure shown on the label located below the driver's side door latch striker.

## DRIVING TIPS

Important Vehicle Design Features To Know .....	7-1
On-Pavement Driving .....	7-2
Off-Road Driving .....	7-4



60G409



52D078S

**⚠ WARNING**

- **Wear Your Seat Belts at All Times.** Even though air bags are equipped at the front seating positions, the driver and all passengers should be properly restrained at all times, using the seat belts provided. Refer to the “Seat Belts and Child Restraint Systems” section for instructions on proper use of the seat belts.
- **Never drive while under the influence of alcohol or other drugs.** Alcohol and drugs can seriously impair your ability to drive safely, greatly increasing the risk of injury to yourself and others. You should also avoid driving when you are tired, sick, irritated or under stress.

## Important Vehicle Design Features To Know



**⚠ WARNING**

Your multipurpose vehicle has handling characteristics that differ from those of a conventional passenger car. For the safety of you and your passengers, please read the following section very carefully.

Multipurpose vehicles such as your new SUZUKI have higher ground clearance and a narrower track than conventional passenger cars, to make them capable of performing in a wide variety of off-road applications. Specific design characteristics give them a higher center of gravity than ordinary cars. An advantage of the higher ground clearance is a better view of the road allowing you to anticipate problems. They are not designed for cornering at the same speed as conventional passenger cars any more than low-slung sports cars are designed to perform satisfactorily under off-road conditions. If at all possible, avoid sharp turns or abrupt maneuvers. As with other vehicles of this type, failure to operate this vehicle correctly may result in loss of control or vehicle rollover.

Multipurpose vehicles have a significantly higher rollover rate than other types of vehicles.

### EXAMPLE

<b>⚠ WARNING: HIGHER ROLLOVER RISK</b>		
	Avoid Abrupt Maneuvers and Excessive Speed.  Always Buckle Up.  See Owner's Manual For Further Information.	

65D218

In a rollover crash, an unbelted person is significantly more likely to die than a person wearing a seat belt.

## Important Differences Between Your Multipurpose Vehicle and Ordinary Passenger Cars

### Higher Ground Clearance

The higher ground clearance of your vehicle enables it to clear off-road obstacles, such as rocks and tree stumps, that ordinary passenger cars can not drive over. An unavoidable result of this higher ground clearance is that the vehicle also has a higher center of gravity. Consequently, your vehicle will handle differently than a vehicle with a lower center of gravity.

**Shorter Wheelbase**

Along with its higher ground clearance, your vehicle has a shorter wheelbase and shorter front and rear overhangs than many passenger cars. These features combine to allow you to drive your vehicle over hillcrests without hanging up on them or damaging the frame and chassis components. The shorter wheelbase also makes the steering of your vehicle more responsive than that of vehicles with longer wheelbases.

**Narrower Body Width and Track**

Your vehicle is narrower than the average passenger car so that it can pass through tight spaces.

Without the essential characteristics described above: higher ground clearance, shorter wheelbase and narrower body width and track – your vehicle could not provide you with excellent off road driving performance. However, it is also true that on-pavement driving, handling and steering will be different from what drivers experience with a conventional passenger car.

**On-Pavement Driving**

Government data show that most rollover accidents for multi-purpose vehicles are caused when a driver loses control of the vehicle and leaves the paved portion of the roadway striking a ditch, curb or other off-road object that causes the vehicle to overturn. The following driving practices may reduce the risk of rollover.

**Vehicle Slides Off-Road**

You can reduce the risk of this kind of rollover accident by always keeping the vehicle under control. Typically, drivers lose control of vehicles, often resulting in rollover accidents, when the driver is impaired because of alcohol or other drugs, falls asleep at the wheel or is otherwise inattentive, or is driving too fast for the road conditions.

**Rollovers On the Roadway**

If, for any reason, your vehicle slides sideways or spins out of control at highway speeds, while on the paved portion of the roadway, the risk of rollover is greatly increased. This condition can be created when two or more wheels drop off onto the shoulder and you steer sharply in an attempt to reenter the roadway. To reduce the risk of rollover in these circumstances, if conditions permit, you should hold the steering wheel firmly and slow down before pulling back into the travel lanes with controlled steering movements.

**All Types of Rollover Accidents**

As with many kinds of automobile accidents, rollovers can be greatly reduced by doing what all prudent drivers should do, i.e., don't drink and drive, don't drive when tired and don't do anything behind the wheel that could cause a loss of attention to the driving task.

Additional guidelines are set out below for your on-road driving.

**Know Your Vehicle**

Take time to familiarize yourself with the unique handling characteristics of your vehicle by first driving around in an area away from traffic. Practice turning the vehicle at a variety of speeds and in different directions. Get a feel for the greater steering response that your vehicle has over a conventional car.

**Wear Your Seat Belts at All Times**

The driver and all passengers should be properly restrained at all times, using the seat belts provided. Refer to the "Seat Belts and Child Restraint Systems" section for instructions on proper use of the seat belts.

## DRIVING TIPS

---

### Don't Make Sharp Turns

As mentioned before, small multipurpose vehicles have specific design characteristics that allow them to perform in a wide variety of applications. These characteristics also change the cornering behavior relative to conventional passenger cars. Remember, small multipurpose vehicles have more responsive steering and a higher center of gravity than conventional passenger cars. If at all possible, avoid making sharp turns in your vehicle.

### Slow Down on Curves

Learn to approach curves cautiously and at a conservative speed. Do not attempt to take curves at the same speeds that you would in a vehicle with a lower center of gravity. Just as you would not drive a sports car on a trail, you should not attempt to drive your vehicle around curves like a sports car.

### Slow Down and Use Caution on Slippery Roads

Under wet road conditions you should drive at a lower speed than on dry roads due to possible slippage of tires during braking. When driving on icy, snowcovered or muddy roads, reduce your speed and avoid sudden acceleration, abrupt braking or sharp steering movements. Use 4-wheel drive high range (4H) (if equipped) for better traction.

### CAUTION

**Do not operate your vehicle in "4H LOCK" or "4L LOCK" on dry, hard surfaces. Operating your vehicle in "4H LOCK" or "4L LOCK" on dry, hard surfaces puts severe stress to the drive train, especially during tight cornering, and can damage it. Also, you may have some difficulty steering.**

#### NOTE:

*Avoid operating your vehicle in "4H LOCK" or "4L LOCK" on wet pavement as much as possible. Operating your vehicle in "4H LOCK" or "4L LOCK" on wet pavement may cause severe damage to the drive train.*

#### NOTE:

*Operating your vehicle in "4H" on dry and tight corner may cause some vibration on your vehicle. This is not caused by the vehicle malfunction, but caused by working of the limited slip differential gear in the center differential.*

### CAUTION

**Unevenly worn tires can cause problems in the operation of the transfer switch. Be sure to rotate the tires according to the maintenance schedule. Refer to "Tires" and "Maintenance Schedule" in the "INSPECTION AND MAINTENANCE" section for proper tire rotation procedures.**

## Off-Road Driving

Your vehicle has specific design characteristics for off-road driving. When you leave the pavement, you will encounter driving surfaces of all kinds which may change continually as you drive. In most cases, off-road driving requires the use of 4-wheel drive. If your vehicle is a 2-wheel drive vehicle, you should limit your off-road driving only to hard, flat, nonslippery surfaces. 2-wheel drive vehicles have far less traction on off-road surfaces than 4-wheel drive vehicles. It is important when driving off-road to follow the guidelines below.

### Use Caution on Steep Inclines

Always inspect hills before you attempt to drive up them. Know what is on the other side and how you will get back down. If you have any doubt that it is safe, do not attempt to drive over a hill. Never drive your vehicle up an extremely steep incline.

Coming down a steep hill can be trickier than getting up one. Keep the vehicle heading straight down the hill and use low gear. Do not lock the brakes. If the vehicle begins to slide, accelerate slightly to regain steering control.

### Do Not Turn on or Drive Across the Side of Hills

Turning on or driving across the side of a hill can be extremely hazardous. Most of the vehicle's weight will be transferred to the downhill tires, which could result in the vehicle rolling sideways. Whenever possible, avoid this potential hazard. Also, if you have to exit your vehicle on a side-hill, always get out on the uphill side.

### Wear Your Seat Belts at All Times

You and your passengers should use the seat belts at all times when driving off-road. For proper seat belt use, refer to the "Seat Belts and Child Restraint Systems" section in this manual.

### Avoid Sudden Reactions in Mud, Ice or Snow

Be careful when off-road conditions are slick. Reduce your speed and avoid sudden movements of the vehicle. If your vehicle is a 2-wheel drive vehicle, do not drive in deep snow or mud. If your vehicle is a 4-wheel drive vehicle, be aware that driving in deep snow or mud can cause a loss of traction and an increase in the resistance to the vehicle's forward motion. Use 4WD low gear (4L) and maintain a steady but moderate speed with a light touch on the steering wheel and brakes.

### Do not drive in the field covered with grown grass

If you drive in the field covered with grass, it may cause unexpected accident or vehicle damage by getting caught in grown grass.

### If Your Vehicle Gets Stuck

If your vehicle gets stuck in snow, mud or sand, follow the directions below:

- 1) (For vehicles equipped with transfer switch) Turn the transfer switch to "4H LOCK" or "4L LOCK".
- 2) Shift the transmission back and forth between a forward range (or first gear for manual transmission) and reverse. This will create a rocking motion which may give you enough momentum to free the vehicle. Press gently on the accelerator to keep wheel spin to a minimum. Remove your foot from the accelerator while shifting. Do not race the engine. Excessive wheel spin will cause the tires to dig deeper, making it more difficult to free the vehicle.
- 3) If your vehicle remains stuck after a few minutes of rocking, get another vehicle to pull you out.

### **WARNING**

- **Do not allow anyone to stand near the vehicle when you are rocking it, and do not spin the wheels faster than an indicated 40 km/h (25 mph) on the speedometer. Personal injury and/or vehicle damage may result from spinning the wheels too fast.**
- **Be sure to turn the transfer switch from “4H” to “4H LOCK” or “4L LOCK” when the tires slip in “4H”. The continuing tires slip in “4H” can cause the limited slip differential gear damage in the center differential.**

### **CAUTION**

**Release the accelerator pedal when operating the gearshift lever. Operating the lever with the engine racing can damage the gears.**

### **CAUTION**

**Do not continue rocking the vehicle for more than a few minutes. Prolonged rocking can cause engine overheating, transmission or transfer case damage or tire damage.**

### **Tire Chains**

Tire chains should only be used if they are needed to increase traction or are required by law. Make sure that the chains you use are small-link chains or cable-type chains and are the correct size for your vehicle's tires. Also make sure that there is enough clearance between the fenders and the chains as installed on the tires.

Install the chains on the rear tires tightly, according to the chain manufacturer's instructions. Retighten the chains after driving about 1.0 km (1/2 mile) if necessary. With the chains installed, drive slowly.

### **CAUTION**

**If you hear the chains hitting against the vehicle body while driving, stop and tighten them.**

### **Do not drive through deep or rushing water**

Driving in deep or rushing water can be hazardous. You could lose control of the vehicle and the occupants could drown. Also, your vehicle could be seriously damaged. To avoid these risks, observe the following instructions and precautions.

- **Do not drive through deep or rushing water. Deep or rushing water, such as fast-moving streams or floodwaters, could carry your vehicle away from your intended path. The water is too deep if it covers your wheel hubs, axles or exhaust tailpipe. Know the depth of the water before you attempt to drive through it.**
- **If water blocks the tailpipe, the engine may not start or run. If the water is deep enough to get drawn into the engine intake system, the engine will be badly damaged.**
- **Submerged brakes will have poor braking performance. Drive slowly and carefully. Driving slowly will also help avoid water splashing onto the ignition system, which could cause the engine to stall.**
- **Even when driving through shallow or still waters, drive carefully since the water may be hiding ground hazards such as holes, ditches or bumps.**



**⚠ WARNING**

In addition to following the driving tips in this section, it is important to observe the following precautions for on-road and off-road driving.

- Driver and passengers should wear seat belts at all times.
- Do not let anyone else drive your vehicle unless they are also aware of the vehicle characteristics and handling differences described in this section.
- Avoid loaning your vehicle to anyone unless you accompany them.
- Make sure your tires are in good condition and always maintain the specified tire pressure. Refer to “Tires” in the “INSPECTION AND MAINTENANCE” section for details.
- Do not use tires other than those specified by SUZUKI. Never use different sizes or types of tires on the front and rear wheels. For information regarding the specified tires, refer to the Tire Inflation Pressure Label located on the driver’s side door pillar or the “SPECIFICATIONS” section.

(Continued)

**⚠ WARNING**

(Continued)

- Never use oversized tires or special shocks and springs to raise (jack up) your vehicle. This will raise the center of gravity of the vehicle and change its handling characteristics. Oversized tires may also rub against the fender over bumps, causing vehicle damage or tire failure.
- After driving through water, mud or sandy ground, test the brakes while driving at a slow speed to see if they have maintained their normal effectiveness. If the brakes are less effective than normal, dry them by repeatedly applying the brakes while driving slowly until the brakes have regained their normal effectiveness.
- Do not use “4H LOCK” or “4L LOCK” drive for normal driving.
- After extended operation in mud, sand or water, have the brakes inspected by your authorized SUZUKI dealer as soon as possible.

**MEMO**

-----

-----

-----

-----

-----

-----

-----

-----

-----

-----

-----

-----

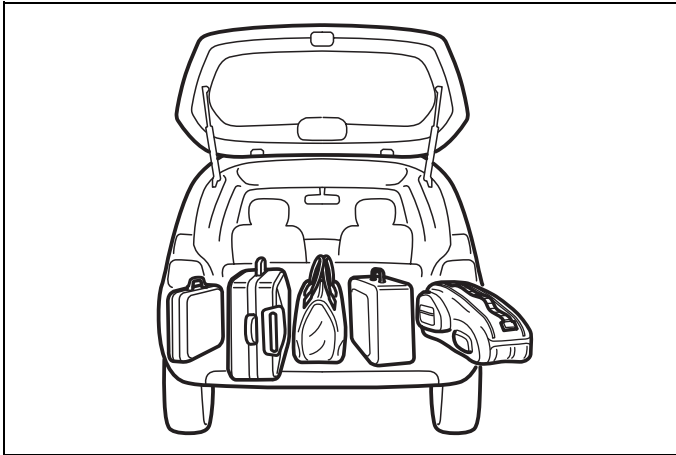
-----

-----

-----

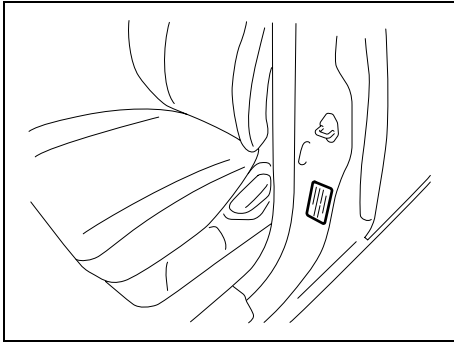
## VEHICLE LOADING AND TOWING

Vehicle Loading .....	8-1
Trailer Towing .....	8-2
Towing Your Vehicle (recreational towing) .....	8-7



54G215

### Vehicle Loading



54G307

Your vehicle was designed for specific weight capacities. The weight capacities of your vehicle are indicated by the Gross Vehicle Weight Rating (GVWR), the Gross Axle Weight Rating (GAWR, front and rear) and the Vehicle Capacity Weight. The GVWR and GAWR (front and rear) are listed on the Safety Certification Label which is located below the driver's side door latch striker. The Vehicle Capacity Weight is listed on the Tire Information Label which is located below the Safety Certification Label.

GVWR – Maximum permissible overall weight of the fully loaded vehicle (including all the occupants, accessories and cargo plus the trailer tongue weight if towing a trailer).

GAWR – (Front and Rear) Maximum permissible weight on an individual axle.

Vehicle Capacity Weight – Maximum permissible load weight a vehicle can carry including the weight of all the occupants, accessories, cargo, plus trailer tongue weight (if towing a trailer).

The weight of any accessories already installed on your vehicle at the time of purchase, or that you or the dealer install after purchase, must be subtracted from the Vehicle Capacity Weight to determine how much capacity remains available for occupants, cargo, and trailer tongue weight (if towing a trailer).

Contact your dealer for further information.

Actual weight of the loaded vehicle and actual loads at the front and rear axles can only be determined by weighing the vehicle using a vehicle scale. To measure the weight and load, try taking your vehicle to a highway weighing station, shipping company or inspection station for trucks, etc. Compare these weights to the GVWR and GAWR (front and rear) listed on the Safety Certification Label. If the gross vehicle weight or the load on either axle exceeds these ratings, you must remove enough weight to bring the load down to the rated capacity.

#### **▲ WARNING**

**Never overload your vehicle. The gross vehicle weight (sum of the weights of the loaded vehicle, driver and passengers) must never exceed the Gross Vehicle Weight Rating (GVWR) listed on the Safety Certification Label. In addition, never distribute a load so that the weight on either the front or rear axle exceeds the Gross Axle Weight Rating (GAWR) listed on the Safety Certification Label.**

#### **▲ WARNING**

- **Always distribute cargo evenly.**
- **To avoid personal injury or damage to your vehicle, always secure cargo to prevent it from shifting if the vehicle moves suddenly.**
- **Place heavier objects on the floor and as far forward in the cargo area as possible. Never pile cargo higher than the top of the seat backs.**

**Trailer Towing**

You can use your SUZUKI to tow a trailer, but you should always observe the requirements and recommendations in this section. If you intend to tow a trailer, it is essential to select a trailer and trailer towing equipment which are compatible. A reputable trailer dealer can help you.

**CAUTION**

**Trailer towing puts additional stress on the engine, drive train and brakes of your vehicle. Never tow a trailer during the first 960 km (600 miles) of vehicle operation.**

**CAUTION**

**Because towing a trailer puts additional stress on your vehicle, more frequent maintenance will be required than under normal driving conditions. Follow the schedule for Maintenance Recommended Under Severe Driving Conditions or perform more frequent maintenance as necessary.**

For Automatic transmission vehicles, shift into “3” (Low 2) or “L” (Low 1) (if necessary) and frequently monitor the coolant temperature gauge when towing up a steep hill. If the gauge indicates overheating, park the vehicle in a safe place and let the engine

cool down. Refer to “If the Engine Overheats” section for details on how to deal with overheating.

**CAUTION**

**Towing in “D” range up a steep hill can cause coolant overheating which may result in engine/automatic transmission damage.**

**Hitches**

Use only a trailer hitch bracket that is designed to bolt to the frame of your vehicle, and a hitch that is designed to bolt to this bracket. We recommend that you use a genuine SUZUKI trailer hitch bracket and trailer hitch (available as options), or equivalent.

**⚠ WARNING**

**Never use a bumper hitch or a hitch which attaches to the axle of your vehicle.**

**Safety Chains**

Always attach safety chains between your vehicle and trailer. Cross safety chains under the tongue of the trailer so that the tongue will not drop to the road if the trailer becomes separated from the hitch. Follow the manufacturer’s recommendation for attaching safety chains. Always leave just enough slack to permit full turning. Never allow safety chains to drag on the road.

**⚠ WARNING**

**Never attach safety chains to the bumper of your vehicle. Secure connections so that they can’t come loose.**

**Trailer Lights**

Make sure your trailer is equipped with lights which meet federal, state and local requirements. Always check for the proper operation of all trailer lights before you start to tow.

**⚠ WARNING**

**Never splice trailer lights directly into your vehicle’s electrical system, or electrical system damage may occur.**

**Brakes**

**⚠ WARNING**

**If trailer brakes are used, you should follow all instructions provided by the manufacturer. Never tap into the brake system of your vehicle.**

## VEHICLE LOADING AND TOWING

### Tires

#### WARNING

When towing a trailer, it is very important for your vehicle and trailer to have properly inflated tires. Your vehicle's tires should be inflated to the recommended pressures listed on your vehicle's Tire Inflation Pressure label. Inflate trailer tires according to the specifications provided by the trailer manufacturer.

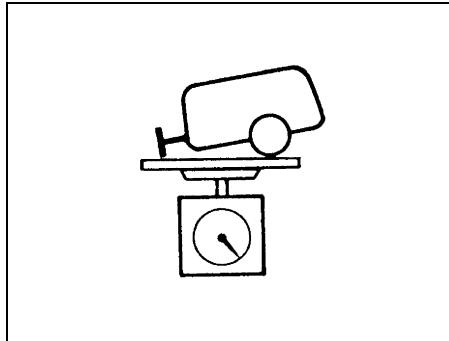
### Mirrors

Check to see if your vehicle's mirrors meet federal, state and local requirements for mirrors used on towing vehicles. If they do not, you must install required mirrors before you tow.

### Vehicle/Trailer Weight Limits

Before towing, you must make sure that gross trailer weight, gross combined weight, trailer tongue weight, gross vehicle weight and gross axle weight (front and rear) are within specified limits as described below. You can measure vehicle and trailer weights using a vehicle scale and can measure tongue weight using a bathroom scale.

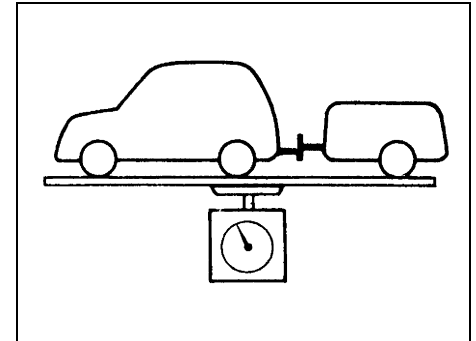
### Gross Trailer Weight



Gross Trailer Weight is the weight of the trailer plus all cargo in it (measured with the trailer disconnected from the towing vehicle). Gross trailer weight must never exceed 1350 kg (3000 pounds).

If you intend to tow a trailer having a gross trailer weight greater than 450 kg (1000 pounds), the trailer must be equipped with trailer brakes.

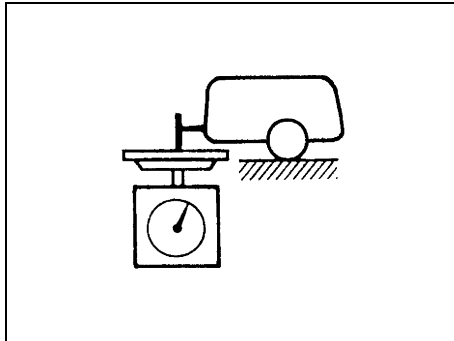
### Gross Combined Weight



Gross Combined Weight is the weight of the fully loaded vehicle (including all the occupants, accessories and cargo) plus the weight of the fully loaded trailer. Gross combined weight must never exceed:

- 2WD – 3400 kg (7500 pounds)
- 4WD – 3450 kg (7600 pounds)

## Tongue Weight



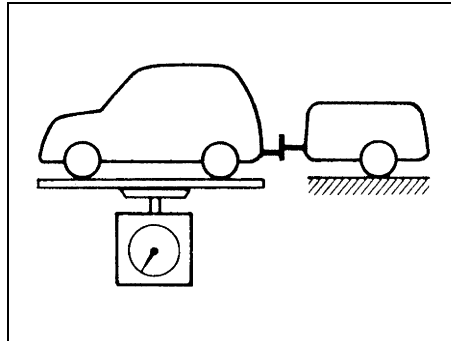
60A380

Tongue Weight is the downward force exerted on the hitch by the trailer coupler, with the trailer fully loaded and the coupler at its normal towing height. Cargo should be distributed so that tongue weight is approximately 10% of gross trailer weight.

### NOTE:

*You can usually get tongue weight to be about 10% of gross trailer weight by placing about 60% of the total cargo weight in the front half of the trailer. You should measure gross trailer weight and tongue weight before towing, however, to make sure that your load is properly distributed.*

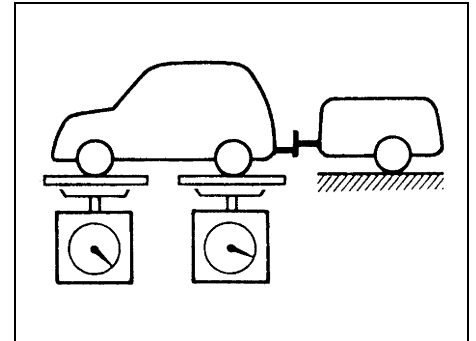
## Gross Vehicle Weight



60A379

Gross Vehicle Weight is the weight of the fully loaded vehicle (including all the occupants, accessories and cargo plus the trailer tongue weight). The gross vehicle weight must never exceed the Gross Vehicle Weight Rating (GVWR) listed on the Safety Certification Label.

## Gross Axle Weight



60A382

Gross Axle Weight (Front and Rear) is the weight supported by an individual axle with the vehicle fully loaded and the trailer connected. Gross axle weight for the front and rear axles must never exceed the Gross Axle Weight Rating (GAWR) listed on the Safety Certification Label.

### **▲ WARNING**

**Improper distribution of cargo in your trailer may result in poor vehicle handling and swaying of the trailer. Always make sure that trailer tongue weight is about 10% of gross trailer weight. Failure to observe this requirement may result in an accident.**

### WARNING

Never overload your trailer or your vehicle. Gross Trailer Weight must never exceed 1350 kg (3000 pounds). Gross Combined Weight must never exceed 3400 kg (7500 pounds) for 2WD or 3450 kg (7600 pounds) for 4WD.

Gross vehicle weight must never exceed the Gross Vehicle Weight Rating (GVWR) listed on the Safety Certification Label. Gross axle weight for the front and rear axles must not exceed the Gross Axle Weight Rating (GAWR) listed on the Safety Certification Label.

### WARNING

Do not tow a trailer having a gross trailer weight greater than 450 kg (1000 pounds) unless the trailer is equipped with trailer brakes.

## Additional Trailer Towing Warnings

### WARNING

Connect trailer lights and hook up safety chains every time you tow.

### WARNING

Your vehicle will handle differently when towing a trailer. For your safety and the safety of others, you should observe the following precautions:

- Practice turning, stopping and backing up before you begin towing in traffic. Do not tow in traffic until you are confident that you can handle the vehicle and trailer safely.
- Never exceed posted towing speed limits or 72 km/h (45 mph), whichever is lower.
- Never drive at a speed that causes shaking or swaying of the trailer. If you notice even the slightest sign of shaking or swaying, slow down.
- Always have someone guide you when backing.

(Continued)

### WARNING

(Continued)

- Allow adequate stopping distance. Stopping distance is increased when you tow a trailer. For each 16 km/h (10 mph) of speed, allow at least one vehicle and trailer length between you and the vehicle ahead. Follow at a greater distance if roads are wet or slippery.
- Slow down when making turns. Remember that a larger than normal turning radius is needed because the trailer wheels will be closer than the vehicle wheels to the inside of the turn.
- Avoid sudden acceleration and stopping of the vehicle. Do not make quick maneuvers unless they are necessary.
- Slow down in cross winds and be prepared for wind blasts from large passing vehicles.
- Be careful when passing other vehicles. Be sure to allow enough room for your trailer before you change lanes, and signal well in advance.
- Slow down and shift into a lower gear before you reach long or steep downhill grades. It is hazardous to attempt downshifting while you are descending a hill.

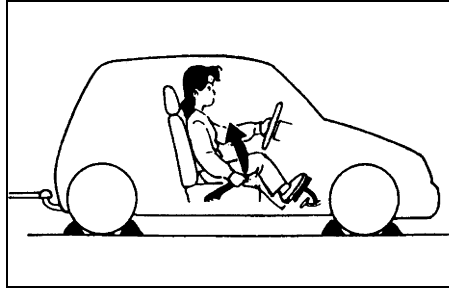
(Continued)



## ⚠ WARNING

(Continued)

- Avoid “riding” the brakes. “Riding” the brakes could cause the brakes to overheat, resulting in reduced braking efficiency. Use engine braking as much as possible.
- Because of the added trailer weight, your engine may overheat on hot days when going up long or steep hills. Pay attention to your engine temperature gauge. If it indicates overheating, pull off the road and stop in a safe place. Refer to the “If the Engine Overheats” in “EMERGENCY SERVICE” section for details on how to proceed.



60A186

## ⚠ WARNING

When parking your vehicle and connected trailer, always use the following procedure:

- 1) Apply the vehicle’s brakes firmly.
- 2) Have another person place wheel chocks under the wheels of the vehicle and the trailer while you are holding the brakes.
- 3) Slowly release the brakes until the wheel chocks absorb the load.
- 4) Fully engage the parking brake.
- 5) Manual Transmission – Shift into Reverse or first gear and turn off the engine.  
Automatic Transmission – Shift into Park and turn off the engine.
- 6) If you have a 4-wheel drive vehicle, make sure the transfer switch is not in “N” (Neutral).

(Continued)

## ⚠ WARNING

(Continued)

When starting out after parking:

- 1) Push in the clutch (if equipped) and start the engine.
- 2) Depress the brake pedal, shift into gear, release the parking brake and slowly pull away from the chocks.
- 3) Stop, apply the brakes firmly and hold the brakes while you have another person remove the chocks.

## VEHICLE LOADING AND TOWING

### Towing Your Vehicle (recreational towing)

Your vehicle may be towed behind another vehicle (such as a motorhome), provided you use the proper towing method specified for your vehicle. The towing method you must use depends on the specifications of your vehicle: whether it is a 2-wheel drive (2WD), 4-wheel drive (4WD) with a transfer switch or 4-wheel drive (4WD) without a transfer switch vehicle.

Use the towing instruction table to select the proper towing method for your vehicle, and carefully follow the corresponding instructions. Be sure to use proper towing equipment designed for recreational towing and make sure that towing speed does not exceed 90 km/h (55 mph).

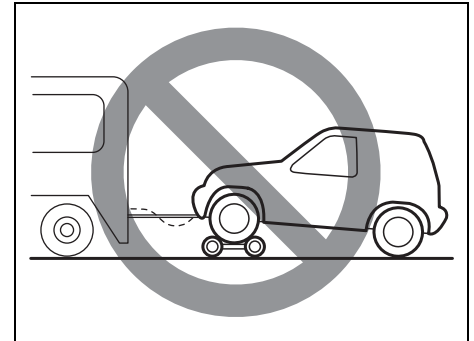
TOWING INSTRUCTION TABLE

DRIVE TRAIN	TRANSMISSION	TOWING METHOD
4WD with a transfer switch	A/T	<b>A</b>
	M/T	<b>A</b>
4WD without a transfer switch	A/T	<b>none</b>
	M/T	<b>none</b>
2WD	A/T	<b>B</b>
	M/T	<b>B</b>

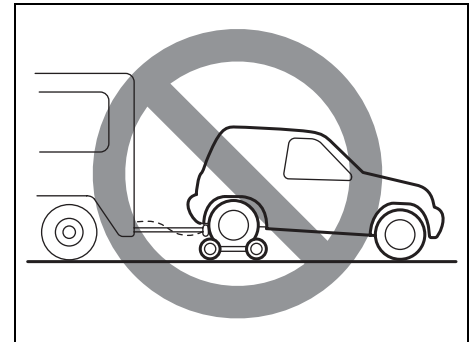
#### CAUTION

**Never tow your 4WD vehicle without a transfer switch using recreational towing methods. If you do, the transmission will be permanently damaged.**

4WD Vehicle With a Transfer Switch



54G585



64J234

### ⚠ WARNING

When you tow your vehicle, follow the instructions below to avoid accidents and damage to your vehicle. In addition, be sure to observe government and local requirements regarding vehicle lighting and trailer hitches or tow bars.

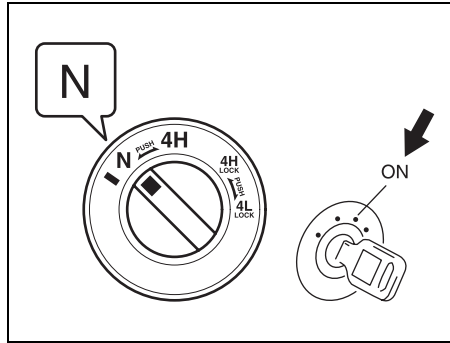
### ⚠ WARNING

A safety chain should always be used when you tow your vehicle.

### CAUTION

Do not tow your vehicle with either front wheels or rear wheels directly on the ground (and the transmission in neutral). If you do, the transmission will be damaged fatally.

### Before towing

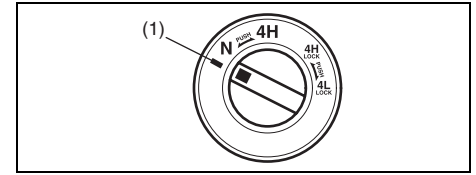


64J147

Vehicles equipped with a transfer switch may be towed from the front with all four wheels on the ground. Be sure to use proper towing equipment designed for recreational towing and make sure that towing speed does not exceed 90 km/h (55 mph).

To tow a vehicle equipped with a transfer switch with all four wheels on the ground:

- 1) Turn the ignition key to the “ON” position.
- 2) Place the transmission in “N” (Neutral) and depress the brake pedal and the clutch pedal fully (if equipped).
- 3) Use the transfer switch to shift into neutral.



64J218

### NOTE:

First, push in and turn the switch to the mark (1) at the left of the “N” position, and hold the switch in this position for 5 seconds until the “N” indicator blinks, then turn the switch to the “N” position.

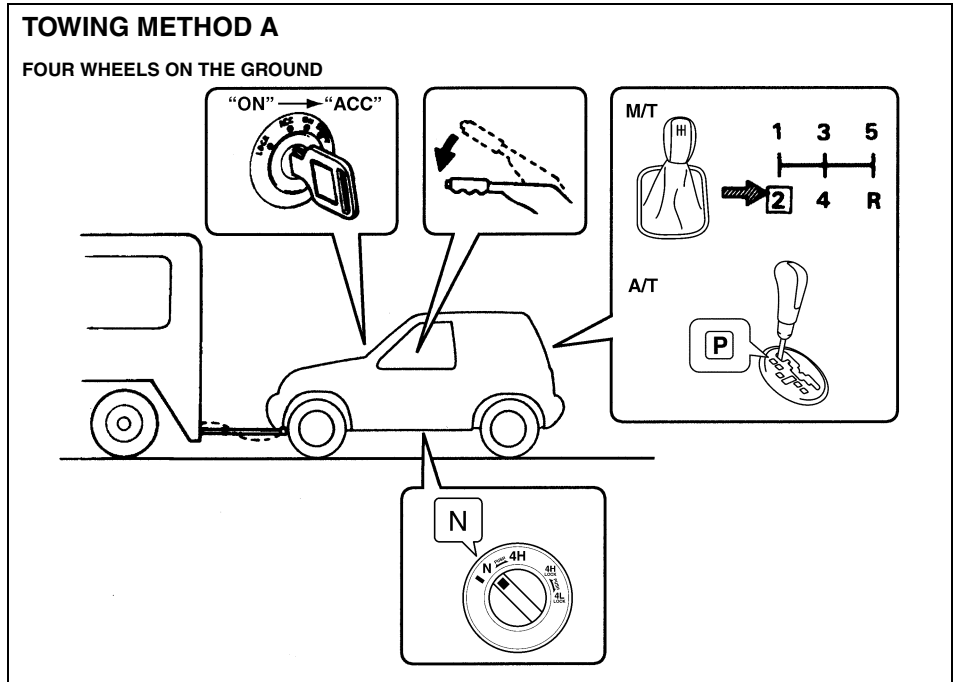
When you turn the transfer switch to the “N” position, “N” indicator will come on with the buzzer sound.

- 4) Make sure the “N” light on the instrument cluster comes on.
- 5) Shift the manual transmission lever into 2nd gear or the automatic transmission lever into “P” (Park).
- 6) Turn the ignition key to the “ACC” position to unlock the steering wheel.

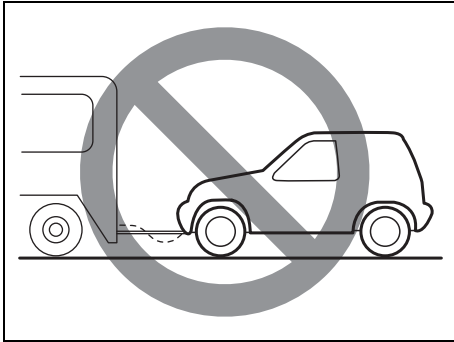
## VEHICLE LOADING AND TOWING

7) Release the parking brake.

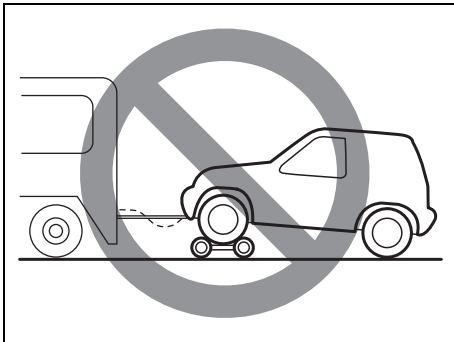
Stop towing the vehicle every 300 km (200 miles). Start the engine. With the manual transmission lever in 2nd gear (or the automatic transmission lever in "D") and the transfer switch in neutral, rev the engine for about one minute with the clutch engaged (if equipped), to circulate oil in the transfer case.



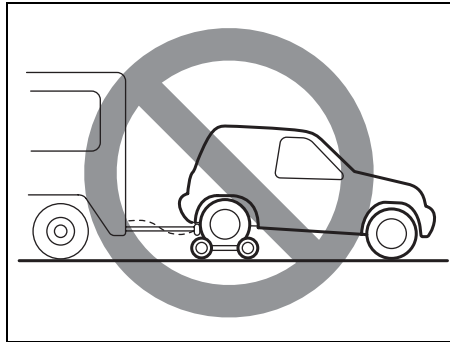
## 4WD Vehicle Without a Transfer Switch



54G586



54G585



64J234

You can not tow your vehicle behind another vehicle using recreational towing methods.

### CAUTION

**Never tow your vehicle using recreational towing methods. If you do, the transmission will be permanently damaged.**

## 2WD Vehicle

- 1) Secure the rear wheels on a towing dolly according to the instructions provided by the dolly manufacturer.
- 2) Turn the ignition key to the "ACC" position to unlock the steering wheel.
- 3) Make sure the front wheels are facing straight forward and secure the steering wheel with a steering wheel clamping device designed for towing.

### CAUTION

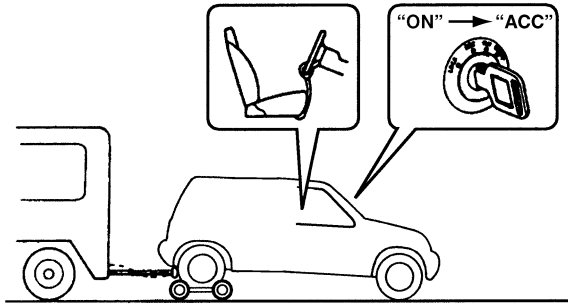
**The steering column is not strong enough to withstand shocks transmitted from the front wheels during towing. Always unlock the steering wheel before towing.**

# VEHICLE LOADING AND TOWING

---

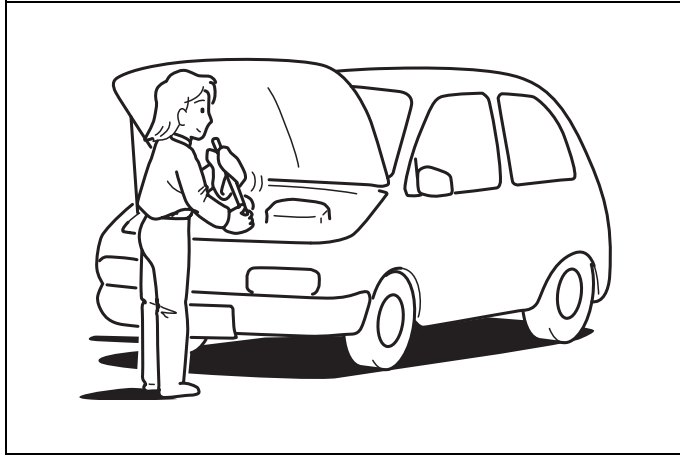
## TOWING METHOD B

FRONT WHEELS ON THE GROUND  
AND REAR WHEELS ON A DOLLY.



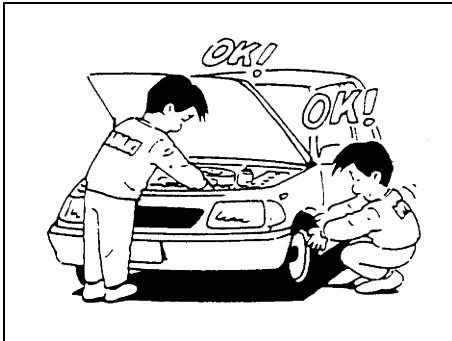
52D082

## INSPECTION AND MAINTENANCE



60G410

Maintenance Schedule .....	9-2
Periodic Maintenance Schedule .....	9-3
<b>Maintenance Recommended under Severe Driving</b>	
Conditions .....	9-7
Drive Belt .....	9-9
Engine Oil and Filter .....	9-9
Gear Oil .....	9-13
Automatic Transmission Fluid .....	9-15
Engine Coolant .....	9-17
Windshield Washer Fluid .....	9-19
Air Cleaner .....	9-20
Spark Plugs .....	9-20
Brakes .....	9-21
Steering Wheel .....	9-23
Clutch Pedal .....	9-24
Tires .....	9-24
Battery .....	9-35
Fuses .....	9-35
Headlight Aiming .....	9-38
Bulb Replacement .....	9-39
Wiper Blades .....	9-44
Air Conditioning System .....	9-47



60A187S

### ⚠ WARNING

You should take extreme care when working on your vehicle to prevent accidental injury. Here are a few precautions that you should be especially careful to observe:

- To prevent damage or unintended inflation of the air bag system, be sure the battery is disconnected and the ignition switch has been in the "LOCK" position for at least 90 seconds before performing any electrical service work on your SUZUKI. Do not touch air bag system components or wires. The wires are wrapped with yellow tape or yellow tubing, and the couplers are yellow for easy identification.

(Continued)

### ⚠ WARNING

(Continued)

- Do not leave the engine running in garages or other confined areas.
- When the engine is running, keep hands, clothing, tools and other objects away from the moving fan and fan belt.
- When it is necessary to do service work with the engine running, make sure that the parking brake is set fully and the transmission is in Neutral (for manual transmission vehicles) or Park (for automatic transmission vehicles).
- Do not touch ignition wires or other ignition system parts when starting the engine or when the engine is running, or you could receive an electric shock.
- Be careful not to touch a hot engine, exhaust manifold and pipes, muffler, radiator and water hoses.
- Do not allow smoking, sparks or flames around gasoline or the battery. Flammable fumes are present.
- Do not get under your vehicle if it is supported only with the portable jack provided in your vehicle.

(Continued)

### ⚠ WARNING

(Continued)

- Be careful not to cause accidental short circuits between the positive and negative battery terminals.
- Keep used oil, engine coolant and other fluids away from children and pets. Dispose of used fluids properly; never pour them on the ground, into sewers, etc.



**NOTICE (for U.S.A.)**

Maintenance, replacement or repair of the emission control devices and systems may be performed by any automobile repair establishment or individual using any part which has been certified under the provisions in the Clean Air Act sec. 207. (a) (2).

**Maintenance Schedule**

The following table shows the times when you should perform regular maintenance on your vehicle. This table shows in miles, kilometers and months when you should perform inspections, adjustments, lubrication and other services. These intervals should be shortened if driving is usually done under severe conditions (refer to "Maintenance Recommended Under Severe Driving Conditions").

**⚠ WARNING**

**SUZUKI** recommends that maintenance on items marked with an asterisk (\*) be performed by your authorized **SUZUKI** dealer or a qualified service technician. If you are qualified, you may perform maintenance on the unmarked items by referring to the instructions in this section. If you are not sure whether you can successfully complete any of the unmarked maintenance jobs, ask your authorized **SUZUKI** dealer to do the maintenance for you.

**CAUTION**

Whenever it becomes necessary to replace parts on your vehicle, it is recommended that you use genuine **SUZUKI** replacement parts or their equivalent.

**⚠ WARNING**

The shock absorbers are filled with high pressure gas. Never attempt to disassemble it or throw it into a fire. Avoid storing it near a heater or heating device. When scrapping the absorber, the gas must be released from the absorber safely. Ask your dealer for assistance.

# INSPECTION AND MAINTENANCE

## Periodic Maintenance Schedule

**R: Replace or change**

**I : Inspect, clean, adjust, lubricate or replace as necessary**

Interval: This interval should be judged by odometer reading or months, whichever comes first.	miles (x 1000)	7.5	15	22.5	30	37.5	45	52.5	60	67.5	75
	km (x 1000)	12.5	25	37.5	50	62.5	75	87.5	100	112.5	125
	months	7.5	15	22.5	30	37.5	45	52.5	60	67.5	75
<b>ENGINE &amp; EMISSION CONTROL</b>											
1. Drive belt											
Tension check, *adjustment, *replacement		-	-	-	I	-	-	-	R	-	-
*2. Valve lash (clearance)		-	-	-	I	-	-	-	I	-	-
3. Engine oil and oil filter		R	R	R	R	R	R	R	R	R	R
*4. Cooling system hoses and connections		-	-	-	I	-	-	-	I	-	-
5. Engine coolant		-	-	-	R	-	-	-	R	-	-
*6. Exhaust pipes and mountings		-	-	-	I	-	-	-	I&(R)	-	-
*7. EVAP canister		Replace every 250000 km (150000 miles) or 180 months									
*8. Emission-related hoses & tubes		-	-	-	-	-	-	-	I	-	-
9. Spark plugs		-	-	-	-	-	-	-	R	-	-
*10. Ignition coil (Plug cap)		-	-	-	I	-	-	-	I	-	-
*11. Fuel tank & cap		-	-	-	I	-	-	-	I	-	-
12. Air cleaner filter element		-	-	-	R	-	-	-	R	-	-
*13. Fuel filter		-	-	-	-	-	-	-	-	-	-
*14. Fuel lines and connections		-	-	-	I	-	-	-	I	-	-
*15. Canister air suction filter		Replace every 250000 km (150000 miles) or 180 months									

**R: Replace or change**

**I: Inspect, clean, adjust, lubricate or replace as necessary**

Interval: This interval should be judged by odometer reading or months, whichever comes first.	miles (x 1000)	82.5	90	97.5	105	112.5	120	127.5	135	142.5	150
	km (x 1000)	137.5	150	162.5	175	187.5	200	212.5	225	237.5	250
	months	82.5	90	97.5	105	112.5	120	127.5	135	142.5	150

<b>ENGINE &amp; EMISSION CONTROL</b>											
1. Drive belt											
Tension check, *adjustment, *replacement	-	I	-	-	-	-	R	-	-	-	I
*2. Valve lash (clearance)	-	I	-	-	-	-	I	-	-	-	I
3. Engine oil and oil filter	R	R	R	R	R	R	R	R	R	R	R
*4. Cooling system hoses and connections	-	I	-	-	-	-	I	-	-	-	I
5. Engine coolant	-	R	-	-	-	-	R	-	-	-	R
*6. Exhaust pipes and mountings	-	I	-	-	-	-	I&(R)	-	-	-	I
*7. EVAP canister	Replace every 250000 km (150000 miles) or 180 months										
*8. Emission-related hoses & tubes	-	-	-	-	-	-	I	-	-	-	I
9. Spark plugs	-	-	-	-	-	-	R	-	-	-	-
*10. Ignition coil (Plug cap)	-	I	-	-	-	-	I	-	-	-	I
*11. Fuel tank & cap	-	I	-	-	-	-	I	-	-	-	I (#1)
12. Air cleaner filter element	-	R	-	-	-	-	R	-	-	-	R
*13. Fuel filter	-	-	-	-	-	-	-	-	-	-	R
*14. Fuel lines and connections	-	I	-	-	-	-	I	-	-	-	I (#1)
*15. Canister air suction filter	Replace every 250000 km (150000 miles) or 180 months										

#1: Inspect at 250000 km (150000 miles) or 180 months.

**NOTE:**

*The maintenance services enclosed with rectangle are recommended maintenance items.*

*Item 6 (R) is applicable to the exhaust mounting rubber only.*

The U.S. Environmental Protection Agency or the California Air Resources Board has determined that the failure to perform recommended maintenance items enclosed with a rectangle will not nullify the emission warranty or limit recall liability prior to the completion of the vehicle's useful life. SUZUKI, however, urges that all recommended maintenance services be performed at the indicated intervals and the maintenance recorded.

# INSPECTION AND MAINTENANCE

**R: Replace or change**

**I : Inspect, clean, adjust, lubricate or replace as necessary**

Interval: This interval should be judged by odometer reading or months, whichever comes first.	miles (x 1000)										
	7.5	15	22.5	30	37.5	45	52.5	60	67.5	75	
	km (x 1000)										
	12.5	25	37.5	50	62.5	75	87.5	100	112.5	125	
	months										
	7.5	15	22.5	30	37.5	45	52.5	60	67.5	75	
<b>CHASSIS AND BODY</b>											
1. Clutch (for manual transmission)											
Pedal and fluid level	-		-		-		-		-		
*2. Brake discs and pads (front)	-		-		-		-		-		
Brake drums and shoes (rear)	-		-		-		-		-		
*3. Brake hoses and pipes	-		-		-		-		-		
4. Brake fluid level check, *replacement	-		-		-		-	R	-		
5. Brake pedal stroke check, *adjustment	-		-		-		-		-		
6. Parking brake lever and *cable											
Lever movement check, *adjustment	-		-		-		-		-		
7. Tires (including tire rotation)											
*8. Wheel discs											
*9. Wheel bearings	-		-	*I	-		-	*I	-		
*10. Suspension system	-		-		-		-		-		
*11. Propeller shafts/Drive shafts	-		-		-		-		-		
*12. Manual transmission oil		-	-	R	-		-	R	-		
13. Automatic transmission (A/T)											
Fluid level	-		-		-		-		-		
*Fluid change	Replace every 175000 km (105000 miles)-----5-speed A/T										
*Fluid hose	-	-	-	-	-		-	-	-	-	
*14. Transfer oil		-	-		-		-	R	-		
*15. Differential & Extension (for 2WD) oil	R	-	-		-		-		-		
16. Steering system											
Steering wheel movement, *linkage											
*17. Power steering (if equipped)											
18. All Latches, Hinges and Locks											
19. Air conditioner filter (if equipped)	-		-	R	-		-	R	-		

**R: Replace or change**

**I : Inspect, clean, adjust, lubricate or replace as necessary**

Interval: This interval should be judged by odometer reading or months, whichever comes first.	miles (x 1000)	82.5	90	97.5	105	112.5	120	127.5	135	142.5	150
	km (x 1000)	137.5	150	162.5	175	187.5	200	212.5	225	237.5	250
	months	82.5	90	97.5	105	112.5	120	127.5	135	142.5	150
<b>CHASSIS AND BODY</b>											
1. Clutch (for manual transmission)											
Pedal and fluid level		–	I	–	I	–	I	–	I	–	I
*2. Brake discs and pads (front)		–	I	–	I	–	I	–	I	–	I
Brake drums and shoes (rear)		–	I	–	I	–	I	–	I	–	I
*3. Brake hoses and pipes		–	I	–	I	–	I	–	I	–	I
4. Brake fluid level check, *replacement		–	I	–	I	–	R	–	I	–	I
5. Brake pedal stroke check, *adjustment		–	I	–	I	–	I	–	I	–	I
6. Parking brake lever and *cable											
Lever movement check, *adjustment		–	I	–	I	–	I	–	I	–	I
7. Tires (including tire rotation)		I	I	I	I	I	I	I	I	I	I
*8. Wheel discs		I	I	I	I	I	I	I	I	I	I
*9. Wheel bearings		–	*I	–	I	–	*I	–	I	–	I
*10. Suspension system		–	I	–	I	–	I	–	I	–	I
*11. Propeller shafts/Drive shafts		–	I	–	I	–	I	–	I	–	I
*12. Manual transmission oil		–	R	–	I	–	R	–	I	–	R
13. Automatic transmission (A/T)	Fluid level	–	I	–	I	–	I	–	I	–	I
	*Fluid change	Replace every 175000 km (105000 miles)-----5-speed A/T									
	*Fluid hose	–	I	–	I	–	I	–	I	–	I
*14. Transfer oil		–	I	–	I	–	R	–	I	–	I
*15. Differential & Extension (for 2WD) oil		–	I	–	I	–	I	–	I	–	I
16. Steering system											
Steering wheel movement, *linkage		I	I	I	I	I	I	I	I	I	I
*17. Power steering (if equipped)		I	I	I	I	I	I	I	I	I	I
18. All Latches, Hinges and Locks		I	I	I	I	I	I	I	I	I	I
19. Air conditioner filter (if equipped)		–	R	–	I	–	R	–	I	–	R

**NOTE:**

*This table shows the service schedule up to 250000 km (150000 miles).*

*Beyond 250000 km (150000 miles), perform the same services at the same intervals shown in the chart.*

*Beyond 250000 km (150000 miles), the maintenance services enclosed with a rectangle are required.*

*Item 9 \*I - inspect for wear.*

## INSPECTION AND MAINTENANCE

### Maintenance Recommended under Severe Driving Conditions

If the vehicle is usually used under the conditions corresponding to any severe condition code given below, it is recommended that applicable maintenance operation be performed at the particular interval shown in the chart below.

#### Severe condition code

**A – Repeated short trips**

**B – Driving on rough and/or muddy roads**

**C – Driving on dusty roads**

**D – Driving in extremely cold weather and/or on salted roads**

**E – Repeated short trips in extremely cold weather**

**H – Towing a trailer**

Severe Condition Code	Maintenance	Maintenance Operation	Maintenance Interval
A – C D E H	Engine oil and oil filter	R	Every 5000 km (3000 miles) or 3 months
A B – D – H	Exhaust pipes and mountings	I	Every 10000 km (6000 miles) or 6 months
– – C – – –	Air cleaner filter element *1	I	Every 5000 km (3000 miles) or 3 months
		R	Every 25000 km (15000 miles) or 15 months
– – C – – –	Canister air suction filter	R	Every 100000 km (60000 miles) or 60 months
A B C – – H	Brake discs and pads (front) Brake drums and shoes (rear)	I	Every 10000 km (6000 miles) or 6 months
– B – D E H	Propeller shafts/Drive shafts	I	Every 10000 km (6000 miles) or 6 months
– B – – E H	Manual transmission oil	R	Every 25000 km (15000 miles) or 15 months

## INSPECTION AND MAINTENANCE

Severe Condition Code	Maintenance	Maintenance Operation	Maintenance Interval
- B - - E H	Automatic transmission (A/T) fluid	R	Every 25000 km (15000 miles) or 15 months
- B - - E H	Transfer, Differential and Extension oil	R	Every 25000 km (15000 miles) or 15 months
- B - - - -	Bolts and nuts on suspension	T	Every 10000 km (6000 miles) or 6 months
- B C - - -	Drive belt	I	Every 25000 km (15000 miles) or 15 months
- - C D - -	Air conditioner filter element *2	I	Every 10000 km (6000 miles) or 6 months
		R	Every 50000 km (30000 miles) or 30 months

**NOTE:**

*I – Inspect, clean, adjust, lubricate or replace as necessary*

*T – Tighten to the specified torque*

*R – Replace or change*

*L – Lubricate*

*\*1 Inspect more frequently if the vehicle is used under dusty conditions.*

*\*2 Clean more frequently if the air flow from the air conditioner decreases.*

## Drive Belt

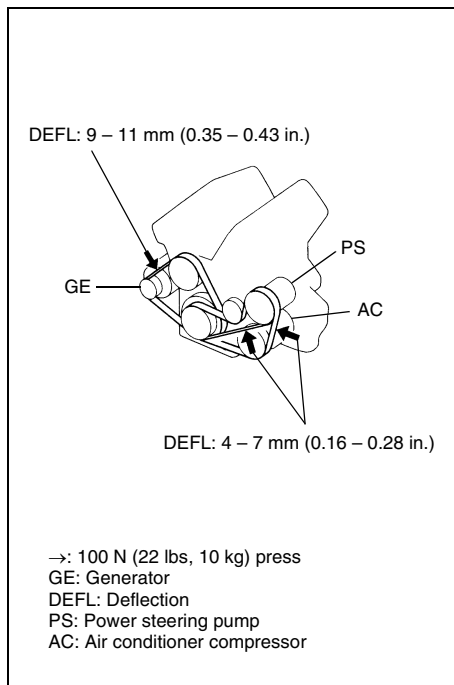
### ⚠ WARNING

**When the engine is running, keep hands, hair, clothing, tools, etc. away from the moving fan and drive belts.**

Make sure the drive belt tension is correct. If the belt is too loose, insufficient battery charging, engine overheating, poor power steering, poor air conditioning or excessive belt wear can result. When you press the belt with your thumb midway between the pulleys, there should be a deflection according to the following chart.

The belts should also be examined to ensure that they are not damaged.

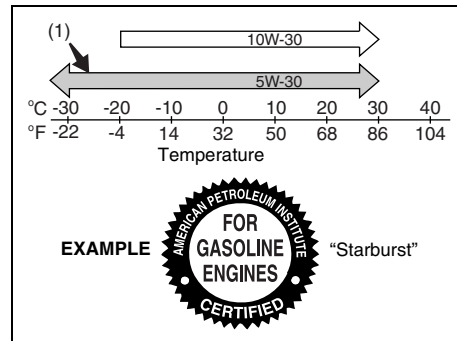
If you need to replace or adjust the belt have it done by your SUZUKI dealer.



52D029

## Engine Oil and Filter

### Specified Oil



52D083

### (1) Preferred

Use engine oil with the American Petroleum Institute Certified For Gasoline Engines "Starburst" symbol.

Select the appropriate oil viscosity according to the above chart.

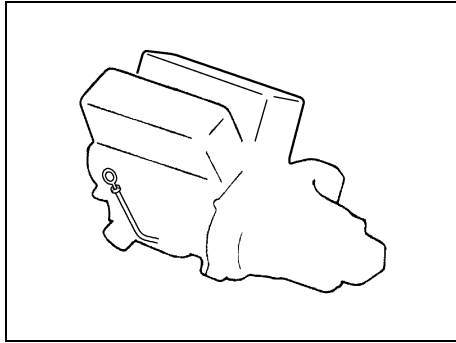
We highly recommend you use SAE 5W-30 oil.

### CAUTION

**Failure to use the recommended oil can result in engine damage.**

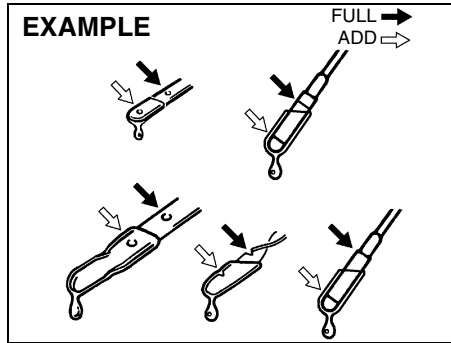


**Oil Level Check**  
**Engine oil dipstick**



52D030

It is important to keep the engine oil at the correct level for proper lubrication of your vehicle's engine. Check the oil level with the vehicle on a level surface. The oil level indication may be inaccurate if the vehicle is on a slope. The oil level should be checked either before starting the engine or at least 5 minutes after stopping the engine.

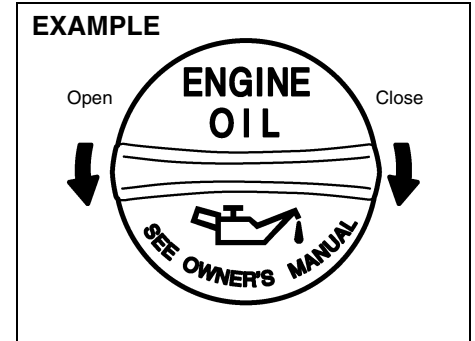


52D084

The handle of the engine oil dipstick is colored yellow for easy identification. Pull out the oil dipstick, wipe oil off with a clean cloth, insert the dipstick all the way into the engine, then remove it again. The oil on the stick should be between the upper and lower limits shown on the stick.

If the oil level indication is near the lower limit, add enough oil to raise the level to the upper limit.

**Refilling**

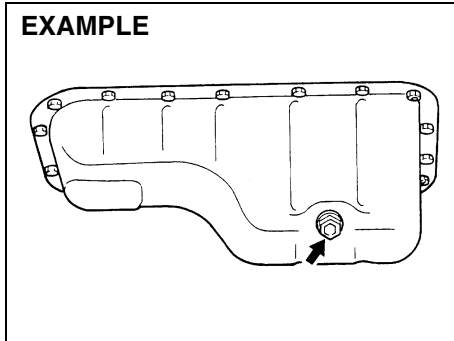


81A147

Remove the oil filler cap and pour oil slowly through the filler hole to bring the oil level to the upper limit on the dipstick. Be careful not to overfill. Too much oil is almost as bad as too little oil. After refilling, start the engine and allow it to idle for about a minute. Stop the engine, wait about 5 minutes and check the oil level again.

## Changing Engine Oil and Filter

### EXAMPLE



60G306

Drain the engine oil while the engine is still warm.

- 1) Remove the oil filler cap.
- 2) Remove the engine under cover.
- 3) Place a drain pan under the drain plug.
- 4) Using a wrench, remove the drain plug and drain out the engine oil.

### ⚠ WARNING

The engine oil temperature may be high enough to burn your fingers when the drain plug is loosened. Wait until the drain plug is cool enough to touch with your bare hands.

### ⚠ WARNING

New and used oil and solvent can be hazardous. Children and pets may be harmed by swallowing new or used oil or solvent. Repeated, prolonged contact with used engine oil may cause skin cancer. Brief contact with used oil or solvent may irritate skin.

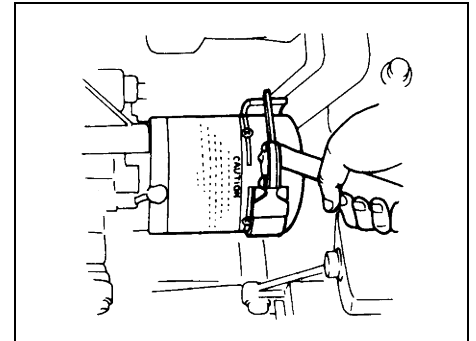
- Keep new and used oil and solvent away from children and pets.
- Wear a long-sleeve shirt and waterproof gloves.
- Wash with soap if oil or solvent contacts your skin.

- 5) Reinstall the drain plug and gasket. Tighten the plug with a wrench to the specified torque.
- 6) Reinstall the engine under cover.

Tightening torque specification

35 Nm (25.3 lb-ft, 3.5 kg-m)

## Replace the Oil Filter

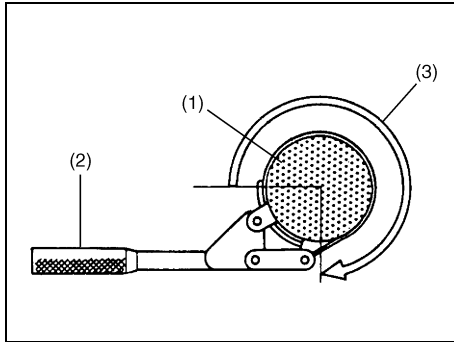


60A198

- 1) Remove the engine under cover.
- 2) Using an oil filter wrench, turn the oil filter counterclockwise and remove it.
- 3) Using a clean rag, wipe off the mounting surface on the engine where the new filter will be seated.
- 4) Smear a little engine oil around the rubber gasket of the new oil filter.
- 5) Screw on the new filter by hand until the filter gasket contacts the mounting surface.

### CAUTION

To tighten the oil filter properly, it is important to accurately identify the position at which the filter gasket first contacts the mounting surface.



52D086

- (1) Oil filter
  - (2) Oil filter wrench
  - (3) 3/4 turn
- 6) Tighten the filter 3/4 turn from the point of contact with the mounting surface (or to the specified torque) using an oil filter wrench.
  - 7) Reinstall the engine under cover.

Tightening torque specification

14 Nm (10.1 lb-ft, 1.4 kg-m)

**CAUTION**

To prevent oil leakage, make sure that the oil filter is tight, but do not overtighten it.

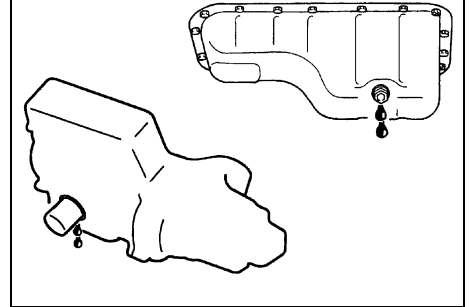
**Refill with Oil and Check for Leaks**

- 1) Pour oil through the filler hole and install the filler cap.  
For the approximate capacity of the oil, refer to the "Capacities" item in the "SPECIFICATIONS" section.
- 2) Start the engine and look carefully for leaks at the oil filter and drain plug. Run the engine at various speeds for at least 5 minutes.
- 3) Stop the engine and wait about 5 minutes. Check the oil level again and add oil if necessary. Check for leaks again.

**CAUTION**

When replacing the oil filter, it is recommended that you use a genuine SUZUKI replacement filter. If you use an after-market filter, make sure it is of equivalent quality and carefully follow the manufacturer's instructions and precautions.

**EXAMPLE**



83E010

**CAUTION**

Oil leaks from around the oil filter or drain plug indicate incorrect installation or gasket damage. If you find any leaks or are not sure that the filter has been properly tightened, have the vehicle inspected by your SUZUKI dealer.

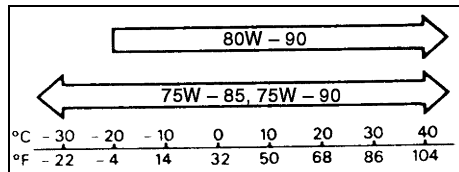
# INSPECTION AND MAINTENANCE

## Gear Oil

### Specified Gear Oil

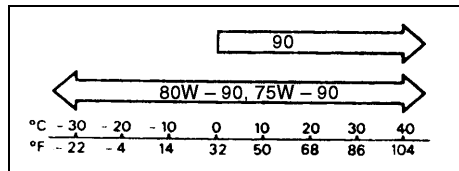
When replacing gear oil, use gear oil with the appropriate viscosity and grade as shown in the charts below. We highly recommend you use SAE 75W-90 gear oil (SAE 80W-90 for front differential oil, rear differential oil and transfer gear oil).

#### Transmission/Extension case



54G095

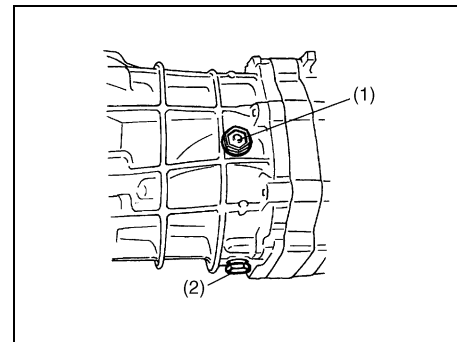
#### Differential/Transfer case



65D594

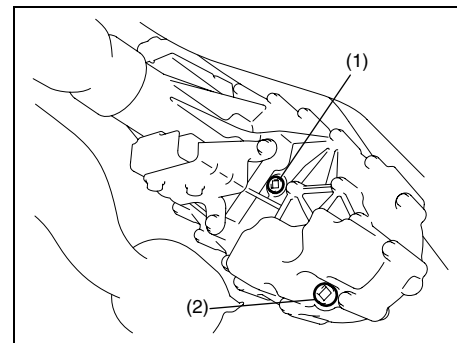
		API GRADE
Transmission/ Extension case		GL-4
Transfer case		GL-5 (Hypoid gear oil)
Differential	Front Rear	

## Manual transmission



52D087

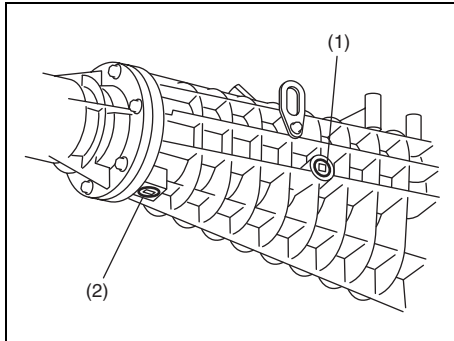
## Transfer case



66J005

- (1) Oil filler and level plug
- (2) Oil drain plug

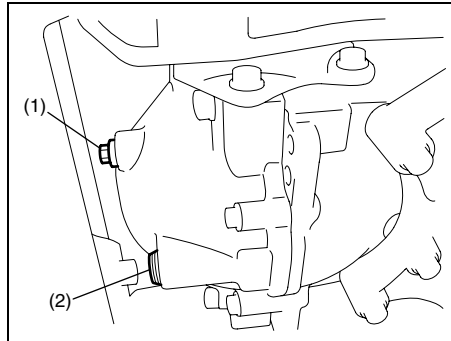
## Extension case (2WD)



66J165

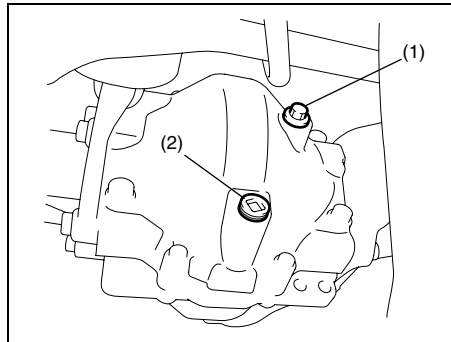
- (1) Oil filler and level plug
- (2) Oil drain plug

## Front differential



66J006

## Rear differential



66J007

- (1) Oil filler and level plug
- (2) Oil drain plug

## Gear Oil Level Check

The manual transmission, transfer gears, extension case and differentials (front and rear) are lubricated with gear oil. To check the gear oil level in any of the above locations, use the following procedure:

- 1) Park the vehicle on a level surface. Set parking brake and stop the engine.
- 2) Remove the oil filler plug (1).
- 3) Check the inside of the hole with your finger. If the oil level comes up to the bottom of the plug hole, the oil level is correct. If so, reinstall the plug.
- 4) If the oil level is low, add gear oil through the filler plug hole (1) until the oil level reaches the bottom of the filler hole, then reinstall the plug.

## INSPECTION AND MAINTENANCE

### Gear Oil Replacement

To change the gear oil in the manual transmission, transfer case, extension case or differential(s), use the following procedure:

- 1) Remove the oil filler plug (1).
- 2) Remove the drain plug (2), drain the oil and reinstall the drain plug.
- 3) Pour new gear oil of the specified type through the filler hole until the oil level reaches the bottom of the filler hole.
- 4) Reinstall the filler plug.

#### WARNING

**After driving the vehicle, gear oil temperature may be high enough to burn you. Wait until the oil filler plug is cool enough to touch with your bare hands before inspecting or replacing gear oil.**

#### CAUTION

**When tightening these plugs, apply sealing compound "SUZUKI Bond No. 1215" or equivalent to the plug threads to prevent oil leakage and tighten them to the specified torque shown below.**

### Tightening torque

	Oil Filler Plug	Oil Drain Plug
Manual transmission	23 Nm (17.0 lb-ft) (2.3 kg-m)	23 Nm (17.0 lb-ft) (2.3 kg-m)
Transfer	23 Nm (17.0 lb-ft) (2.3 kg-m)	23 Nm (17.0 lb-ft) (2.3 kg-m)
Extension case	23 Nm (17.0 lb-ft) (2.3 kg-m)	23 Nm (17.0 lb-ft) (2.3 kg-m)
Front differential	23 Nm (17.0 lb-ft) (2.3 kg-m)	23 Nm (17.0 lb-ft) (2.3 kg-m)
Rear differential	23 Nm (17.0 lb-ft) (2.3 kg-m)	23 Nm (17.0 lb-ft) (2.3 kg-m)

### Automatic Transmission Fluid

#### Specified Fluid

Use an automatic transmission fluid SUZUKI ATF 3317 or Mobil ATF 3309.

#### Fluid Level Check

#### CAUTION

**Driving with too much or too little fluid can damage the transmission.**

You must check the fluid level with the automatic transmission fluid at normal operating temperature.

To check the fluid level:

- 1) To warm up the transmission fluid, drive the vehicle or idle the engine until the temperature gauge indicates normal operating temperature.
- 2) Then drive for ten more minutes.

#### CAUTION

**Be sure to use the specified automatic transmission fluid. Using automatic transmission fluid other than SUZUKI ATF 3317 or Mobil ATF 3309 may damage the automatic transmission of your vehicle.**

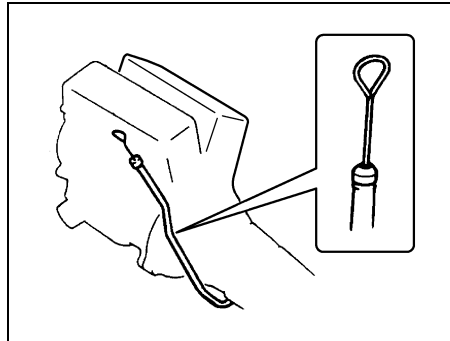
**NOTE:**

Do not check the fluid level if you have just driven the vehicle for a long time at high speed, if you have driven in city traffic in hot weather, or if the vehicle has been pulling a trailer. Wait until the fluid cools down (about 30 minutes), or the fluid level indication will not be correct.

- 3) Park your vehicle on level ground.
- 4) Apply the parking brake and then start the engine in "P" (Park). Let it idle for two minutes and keep it running during the fluid level check.
- 5) With your foot on the brake pedal, move the gearshift lever through each gear, pausing for about three seconds in each range. Then move it back to the "P" (Park) position.

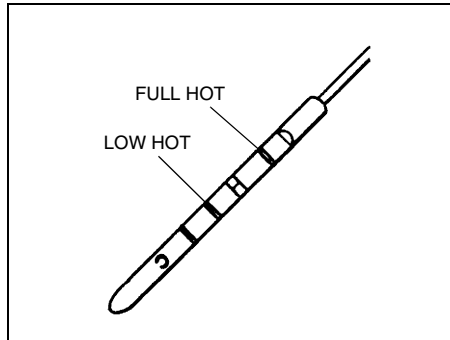
**⚠ WARNING**

**Be sure to depress the brake pedal when moving the gearshift lever, or the vehicle can move suddenly.**



52D032

The handle of the A/T fluid dipstick is colored red for easy identification.



65D109

- 6) Remove the dipstick, clean it and push it back in until the cap seats. Pull out the dipstick and read the fluid level.

The fluid level should be between the two marks in the "HOT" range on the dipstick.

- 7) Add just enough specified fluid through the dipstick hole to fill the transmission to the proper level.

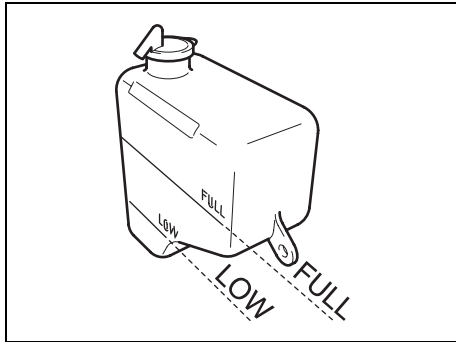
**CAUTION**

**After checking or adding oil, be sure to insert the dipstick securely.**

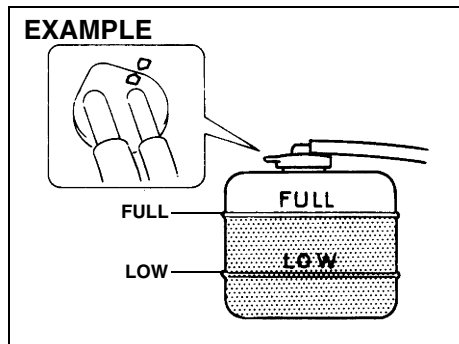
**Changing Oil**

Since special procedures, materials and tools are required to change the automatic transmission oil, it is recommended that you trust this job to your authorized SUZUKI dealer.

## Engine Coolant



64J151



60A208

### Selection of Coolant

To maintain optimum performance and durability of your engine, use SUZUKI Genuine Coolant or equivalent.

This type of coolant is best for your cooling system as it:

- Helps maintain proper engine temperature.
- Gives proper protection against freezing and boiling.
- Gives proper protection against corrosion and rust.

Failure to use the proper coolant can damage your cooling system. Your authorized SUZUKI dealer can help you select the proper coolant.

### CAUTION

To avoid damaging your cooling system:

- Always use a high quality ethylene glycol base phosphate type coolant diluted with distilled water at the correct mixture concentration.
- Make sure that the proper mix is 50/50 coolant to distilled water and in no case higher than 70/30. Concentrations greater than 70/30 coolant to distilled water will cause overheating conditions.
- Do not use straight coolant nor plain water.

(Continued)

### CAUTION

(Continued)

- Do not add extra inhibitors or additives. They may not be compatible with your cooling system.
- Do not mix different types of base coolants. Doing so may result in accelerated seal wear and/or the possibility of severe overheating and extensive engine/automatic transmission damage.

### Engine Coolant Level Check

Check the engine coolant level at the reserve tank, not at the radiator. With the engine cool, the engine coolant level should be between the "FULL" and "LOW" marks.

### Adding Engine Coolant

If the engine coolant level is below the "LOW" mark, more engine coolant should be added. Remove the reserve tank cap and add engine coolant until the reserve tank level reaches the "FULL" mark. Never fill the reserve tank above the "FULL" mark.

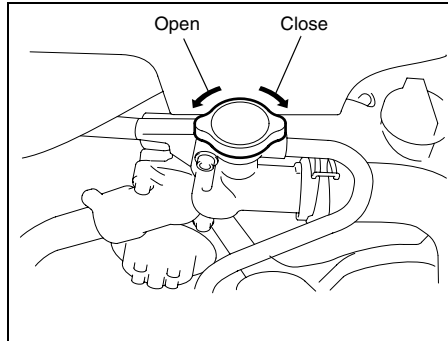


**CAUTION**

- The mixture you use should contain 50% concentration of anti-freeze.
- If the lowest ambient temperature in your area is expected to be  $-35^{\circ}\text{C}$  ( $-31^{\circ}\text{F}$ ) or below, use higher concentrations up to 60% following the instructions on the antifreeze container.
- When putting the cap on the reserve tank, line up the arrow on the cap and the arrow on the tank. Failure to follow this can result in coolant leakage.

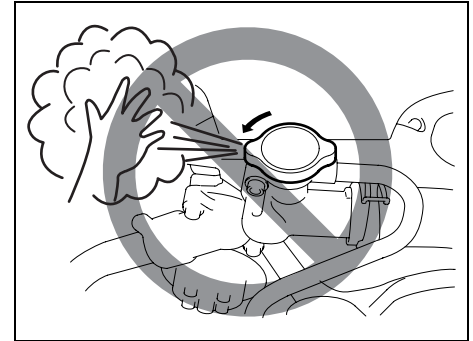
**⚠ WARNING**

Engine coolant is harmful or fatal if swallowed or inhaled. Do not drink antifreeze or coolant solution. If swallowed, do not induce vomiting. Immediately contact a poison control center or a physician. Avoid inhaling mist or hot vapors; if inhaled, remove to fresh air. If coolant gets in eyes, flush eyes with water and seek medical attention. Wash thoroughly after handling. Solution can be poisonous to animals. Keep out of the reach of children and animals.

**Engine Coolant Replacement**

66J151

- 1) When the engine is cool, remove the radiator cap by turning it slowly to the left until a “stop” is felt. Do not press down while turning the cap. Wait until any pressure is released, then press down on the cap and continue turning it to the left.



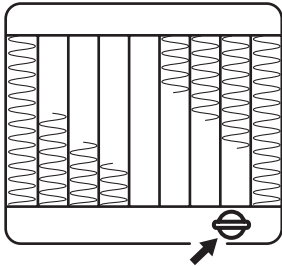
66J191

**⚠ WARNING**

It is hazardous to remove the radiator cap when the engine coolant temperature is high, because scalding fluid and steam may be blown out under pressure. Wait until the engine coolant temperature has lowered before removing the cap.

- 2) Remove the reservoir by lifting it up, and drain the reservoir completely.

### EXAMPLE



64J191

- 3) Loosen the drain plug attached to the lower part of the radiator and drain the engine coolant into a suitable container.
- 4) Reinstall the reservoir and fill it with engine coolant to the "FULL" line.
- 5) Tighten the drain plug on the radiator, fill the radiator with engine coolant and install the radiator cap.
- 6) After filling, let the engine idle for about 2 – 3 minutes to get rid of air in the cooling system. Then, stop the engine.
- 7) Check the engine coolant level in the radiator again. If the level has gone down, add more engine coolant.

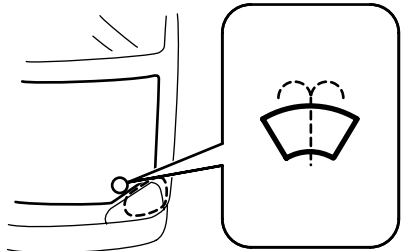
### CAUTION

**The engine coolant must be replaced with the vehicle on level ground.**

## Windshield Washer Fluid

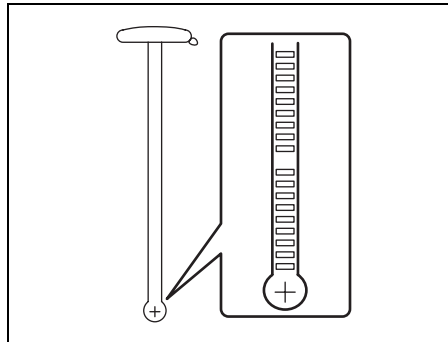
Front and rear (if equipped)

### EXAMPLE



(or opposite side)

66J008



66J116

Check that there is washer fluid in the tank by looking at the washer fluid level gauge which is attached to the cap of the washer

fluid tank. If the fluid level is near empty, refill it.

Use a good quality windshield washer fluid, diluted with water as necessary.

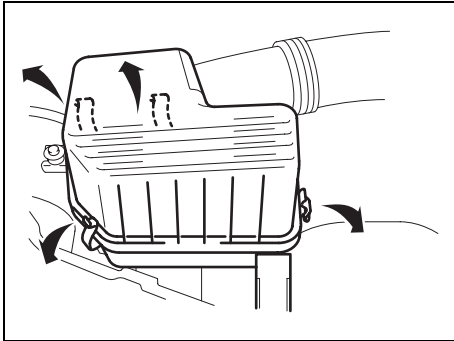
### ⚠ WARNING

**Do not use "anti-freeze" solution in the windshield washer reservoir. This can severely impair visibility when sprayed on the windshield, and also damage your vehicle's paint.**

### CAUTION

**Damage may result if the washer motor is operated with no fluid in the washer tank.**

## Air Cleaner



66J167

If the air cleaner is clogged with dust, there will be greater intake resistance, resulting in decreased power output and increased fuel consumption.

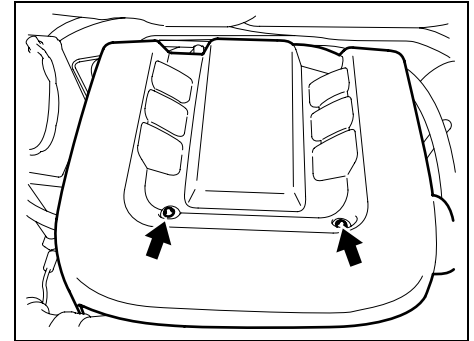
Check and clean periodically according to the following procedure:

- 1) Take off the air cleaner case cover. Remove the element from the air cleaner case cover.
- 2) This air cleaner element is of dry type. Remember that it needs cleaning according to the following method.
- 3) Blow off dust on cleaner element by compressed air from inside the element, or replace the element as necessary.

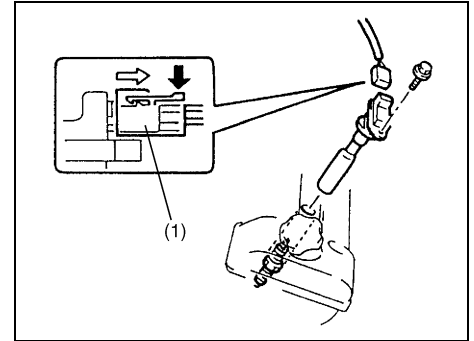
### CAUTION

The air cleaner element should be replaced every 50000 km (30000 miles). More frequent replacement is necessary when you drive under dusty conditions.

## Spark Plugs



66J009



65D434

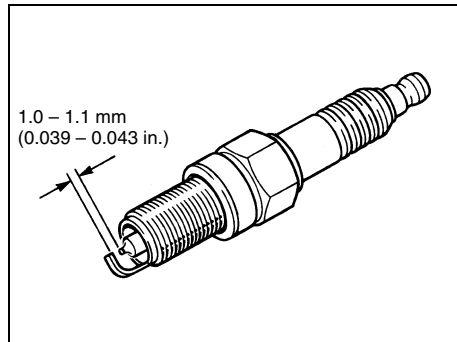
You should inspect spark plugs periodically for carbon deposits. When carbon accumulates on a spark plug, a strong spark may not be produced. Remove carbon

## INSPECTION AND MAINTENANCE

deposits with a wire or pin and adjust the spark plug gap.

To access the spark plugs:

- 1) Remove the engine cover.
- 2) Disconnect the coupler (1) while pushing the release lever.
- 3) Remove the bolt.
- 4) Pull the ignition coil out.



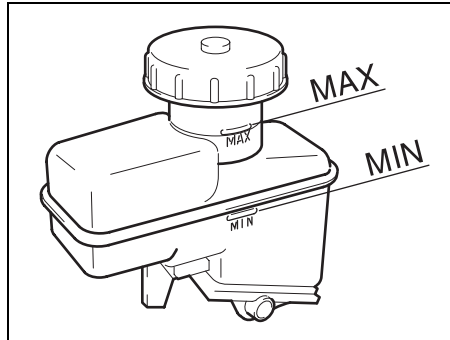
80G093

### CAUTION

When replacing spark plugs, you should use the brand and type specified for your vehicle. For the specified plugs, refer to the "SPECIFICATIONS" section at the end of this book. If you wish to use a brand of spark plug other than the specified plugs, consult your SUZUKI dealer.

## Brakes

### Brake Fluid



64J154

Check the brake fluid level by looking at the reservoir in the engine compartment. Check that the fluid level is between the "MAX" and "MIN" lines. If the brake fluid level is near the "MIN" line, fill it up to the "MAX" line with DOT3 brake fluid.



65D477

### ⚠ WARNING

Failure to follow the guidelines below can result in personal injury or serious damage to the brake system.

- If the brake fluid in the reservoir drops below a certain level, the brake warning light on the instrument panel will come on (the engine must be running with the parking brake fully disengaged.) Should the light come on, immediately ask your SUZUKI dealer to inspect the brake system.
- A rapid fluid loss indicates a leak in the brake system which should be inspected by your SUZUKI dealer immediately.
- Brake fluid can harm your eyes and damage painted surfaces. Use caution when refilling the reservoir.

(Continued)

## ⚠ WARNING

(Continued)

- Do not use any fluid other than DOT3 brake fluid. Do not use reclaimed fluid or fluid that has been stored in old or open containers. It is essential that foreign particles and other liquids are kept out of the brake fluid reservoir.

## ⚠ WARNING

Brake fluid is harmful or fatal if swallowed, and harmful if it comes in contact with skin or eyes. If swallowed, do not induce vomiting. Immediately contact a poison control center or a physician. If brake fluid gets in eyes, flush eyes with water and seek medical attention. Wash thoroughly after handling. Solution can be poisonous to animals. Keep out of the reach of children and animals.

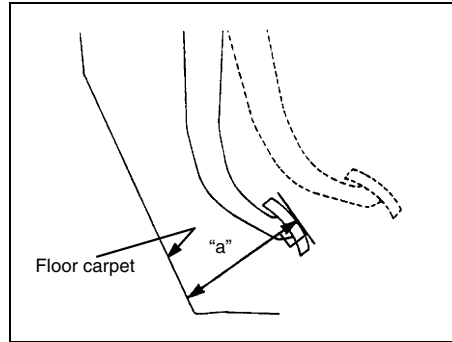
## CAUTION

The brake fluid should be replaced according to the maintenance schedule. Have the brake fluid replaced by your SUZUKI dealer.

**NOTE:**

With disc brakes, the fluid level can be expected to gradually fall as the brake pads wear.

## Brake Pedal



65D345

Pedal to floor carpet minimum distance  
"a"

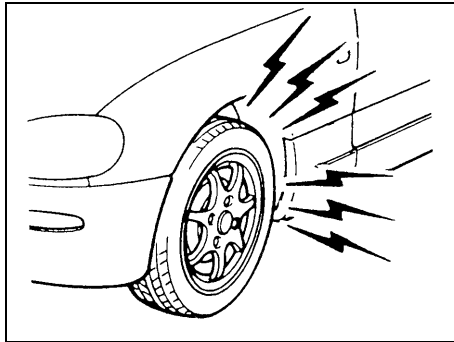
70 mm (2.8 in.)

With the engine running and the parking brake set, measure the distance between the brake pedal and floor carpet when the pedal is depressed with approximately 300 N (66 lbs, 30 kg) of force. The minimum distance required is as specified. Since your vehicle's brake system is self-adjusting, there is no need for pedal adjustment. If the pedal to floor carpet distance as

measured above is less than the minimum distance required, have your vehicle inspected by your SUZUKI dealer.

**NOTE:**

When measuring the distance between the brake pedal and floor wall, push in the floor carpet as far as it goes and measure the distance between the carpet surface and the brake pedal.



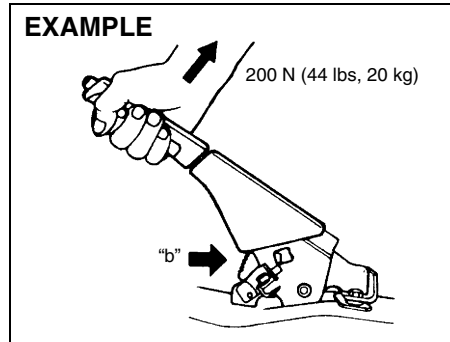
60G104

## ⚠ WARNING

If you experience any of the following problems with your vehicle's brake system, have the vehicle inspected immediately by your SUZUKI dealer.

- Poor braking performance
- Uneven braking (Brakes not working uniformly on all wheels.)
- Excessive pedal travel
- Brake dragging
- Excessive noise
- (Except ABS equipped vehicle) Pedal pulsation (Pedal pulsates when pressed for braking.)

## Parking Brake Lever



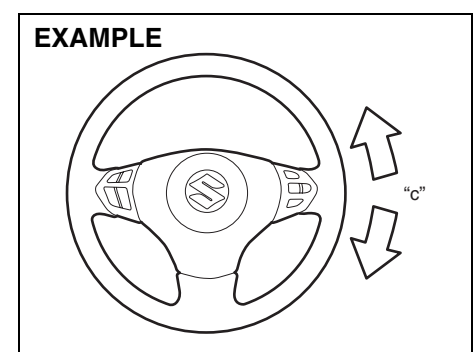
60A226

Ratchet tooth specification "b"

5th – 7th

Check the parking brake for proper adjustment by counting the number of clicks made by the ratchet teeth as you slowly pull up on the parking brake lever to the point of full engagement. The parking brake lever should stop between the specified ratchet teeth and the rear wheels should be securely locked. If the parking brake is not properly adjusted or the brakes drag after the lever has been fully released, have the parking brake inspected and/or adjusted by your SUZUKI dealer.

## Steering Wheel



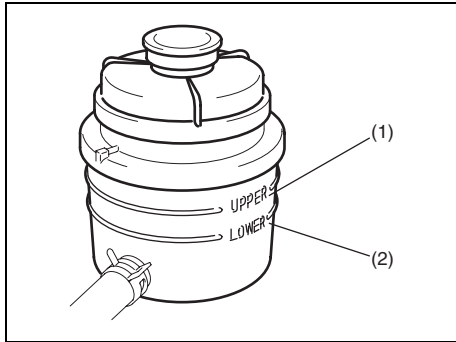
66J233

Steering wheel play "c"

0 – 30 mm (0.0 – 1.2 in.)

Check the play of the steering wheel by gently turning it from left to right and measuring the distance that it moves before you feel slight resistance. The play should be between the specified values. Check that the steering wheel turns easily and smoothly without rattling by turning it all the way to the right and to the left while driving very slowly in an open area. If the amount of free play is outside the specification or you find anything else to be wrong, an inspection must be performed by your SUZUKI dealer.

## Power Steering (if equipped)



64J155

- (1) UPPER
- (2) LOWER

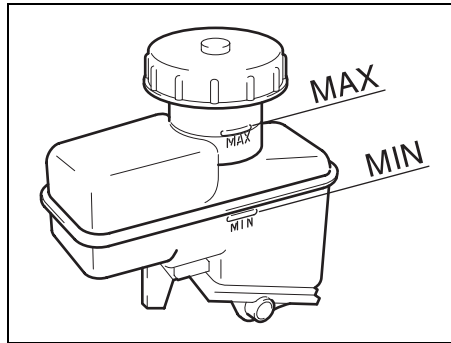
Check the steering box case, vane pump and hose connections for leaks or damage.

## Power Steering Fluid

Check the fluid level by looking at the reservoir in the engine compartment when the fluid is cold (about room temperature).

Check that the fluid level is between the (1) and (2) lines. If the fluid level is near the (2) line, fill it up to the (1) line with an automatic transmission fluid equivalent to ATF DEXRON®-II (Esso JWS 2326) or DEXRON®-III. Do not overfill.

## Clutch Pedal



64J154

Check the clutch pedal for smooth operation and clutch fluid level from time to time. If clutch dragging is felt with the pedal fully depressed, have the clutch inspected by your SUZUKI dealer. If the clutch fluid level is near the "MIN" line, fill it up to the "MAX" line with DOT3 brake fluid.

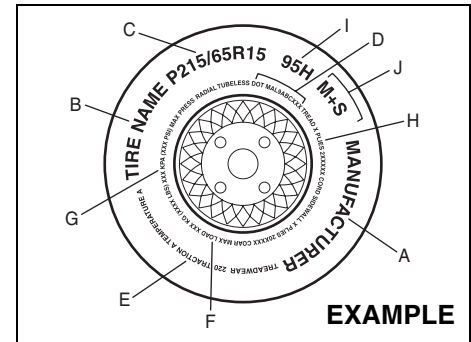
## Tires

For safe operation of your vehicle, it is important that the tires be the correct type and size, in good condition, and properly inflated. Be sure to follow the requirements and recommendations in this section.

## Tire Sidewall Labeling

Useful information about a tire is molded into its sidewall. The example below shows a typical passenger car tire.

## Typical Passenger Car Tire Sidewall



67D027

- A. Tire Manufacturer  
The name of the tire manufacturer is shown here.
- B. Tire Name/Model  
The tire name or model is shown here.

## INSPECTION AND MAINTENANCE

### C. Tire Size

The tire size code is a combination of letters and numbers used to define a particular tire's width, height, aspect ratio, construction type, and service description. See the "Tire Size" explanation later in this section for more details.

### D. U.S. DOT Tire Identification Number

The Department of Transportation (DOT) marking indicates that the tire is in compliance with the U.S. Department of Transportation Motor Vehicle Safety Standards. The letters and numbers following the DOT marking is the Tire Identification Number (TIN). The TIN identifies the tire manufacturer and plant, tire size, and date the tire was manufactured.

### E. Uniform Tire Quality Grading (UTQG)

Tire manufacturers are required to grade tires based on three performance factors: treadwear, traction and temperature resistance. Refer to the "Uniform Tire Quality Grading" section for more details.

### F. Load Rating

Load rating is the maximum weight a tire is designed to support in normal service.

### G. Max Inflation Pressure

Max inflation pressure is the maximum inflation pressure a tire is designed for.

### H. Tire Ply Material

These tire markings describe the type

of cord and number of plies in the sidewall and under the tread.

### I. Load Index and Speed Rating

The two- or three-digit number is the tire's load index, the maximum load a tire can carry at the speed indicated by its speed symbol at the maximum inflation pressure. The higher the number is, the greater the load carrying capacity. The letter symbol denotes the speed at which a tire is designed to be driven for extended periods of time. (Ratings are listed below.)

Letter Rating	Speed Rating
Q	99 mph
R	106 mph
S	112 mph
T	118 mph
U	124 mph
H	130 mph
V	149 mph
W	168 mph*
Y	186 mph*

\*The letters ZR may be used on tires with a maximum speed capability over 149 mph and will always be used on tires with a maximum speed capability over 186 mph.

### J. M+S Marking

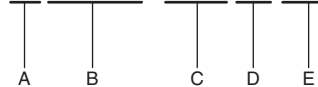
This marking indicates the tire has some mud and snow capabilities and is designed for all-season use.

## Tire Size

The following illustration shows an example of a typical passenger car tire size.

### EXAMPLE

P215/65R15



67D028

### A. Tire Type

This letter code indicates the primary intended use of the tire. The letter "P" identifies a tire primarily intended for use on a passenger vehicle.

### B. Tire Width

This three-digit number indicates the tire section width in millimeters from sidewall to sidewall.

### C. Aspect Ratio

This two-digit number represents the tire section height divided by the tire section width.



## D. Construction Code

This letter code is used to indicate the type of ply construction in the tire. The letter “R” means radial ply tire construction, the letter “D” means diagonal or bias ply construction, and the letter “B” means belted-bias ply construction.

## E. Rim Diameter

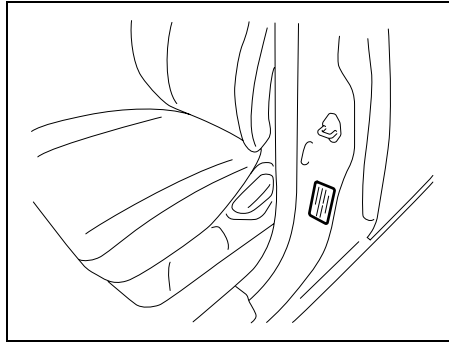
This two-digit number is the wheel or rim diameter in inches.

### **⚠ WARNING**

**Your SUZUKI is equipped with tires which are all the same type and size. This is important to ensure proper steering and handling of the vehicle. Never mix tires of different size or type on the four wheels of your vehicle. Mixing tires could cause you to lose control while driving which may lead to an accident. The size and type of tires used should be only those approved by SUZUKI Motor Corporation as standard or optional equipment for your vehicle.**

## Tire Inflation Pressure

Tire inflation pressure should be checked when the tire is cold. “Cold tire inflation pressure” is the pressure in a tire that has been driven less than 1 mile (1.6 km) or has been standing for three hours or more.



54G307

The front, rear and spare tire pressure specifications for your vehicle are shown below and are listed on the Tire and Loading Information Label, which is located on the driver's door lock pillar. The Tire and Loading Information Label contains the following information:

- Seating Capacity
- Maximum Allowed Combined Weight of Occupants and Cargo
- Original Tire Size
- Recommended Cold Tire Inflation Pressure of Original Tires

### **Recommended Cold Tire Inflation Pressures**

Front Tires	220 kPa 32 psi
Rear Tires	220 kPa 32 psi
Spare	220 kPa 32 psi

### **NOTE:**

*The tire inflation pressure will change due to changes in atmospheric pressure, temperature or tire temperature when driving. To reduce the chance that the low tire pressure warning light will come on due to normal changes in temperature and atmospheric pressure, it is important to check and adjust the tire pressures when the tires are cold. Tires that appear to be at the specified pressure when checked after driving, when the tires are warm, could have pressure below the specification when the tires cool down. Also, tires that are inflated to the specified pressure in a warm garage may have pressure below the specification when the vehicle is driven outside in very cold temperature. If you adjust the tire pressure in a garage that is warmer than the outside temperature, you should add 1 psi to the recommended cold tire inflation pressure for every 10°F difference between garage temperature and outside temperature.*

### Measuring air pressure

Use the following steps to achieve proper tire inflation:

- 1) Identify the recommended tire pressure on the vehicle's Tire and Loading Information Label or in the owner's manual.
- 2) Remove the valve cap from the tire valve stem.
- 3) Using a reliable pressure gauge, measure the tire inflation pressure by pressing the tire gauge firmly onto the valve to get a pressure measurement. Remember that inflation pressures should be checked when the tires are "cold", meaning before they have been driven one mile or after sitting for three hours or more allowing the tire to cool to ambient air temperature.
- 4) If the air pressure is too high, slowly release the air by pressing on the tire valve stem with the edge of the tire gauge until you reach the correct pressure.
- 5) If the air pressure is too low, fill the tire with air at a service station until it reaches the recommended pressure.
- 6) Make sure all tires have the same air pressure (unless the owner's manual indicates otherwise).

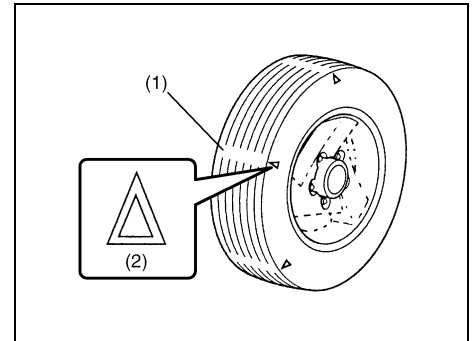
### ⚠ WARNING

- **Air pressures should be checked when the tires are cold or you may get inaccurate readings.**
- **Check the inflation pressure from time to time while inflating the tire gradually, until the specified pressure is obtained.**
- **Never underinflate or overinflate the tires.**  
**Underinflation can cause unusual handling characteristics or can cause the rim to slip on the tire bead, resulting in an accident or damage to the tire or rim.**  
**Underinflation can also cause tires to overheat, leading to tire failure.**  
**Overinflation can cause the tire to burst, resulting in personal injury.**  
**Overinflation can also cause unusual handling characteristics which may result in an accident.**

### Tire Inspection

Inspect your vehicle's tires at least once a month by performing the following checks:

- 1) Measure the air pressure with a tire gauge. Adjust the pressure if necessary. Remember to check the spare tire, too. Refer to the "Measuring Air Pressure" section.



54G136

- (1) Tread wear indicator
- (2) Indicator location mark

- 2) Check that the depth of the tread groove is more than 1.6 mm (0.06 in.). To help you check this, the tires have molded-in tread wear indicators in the grooves. When the indicators appear on the tread surface, the remaining depth of the tread is 1.6 mm (0.06 in.) or less and the tire should be replaced.
- 3) Check for abnormal wear, cracks and damage. Any tires with cracks or other

damage should be replaced. If any tires show abnormal wear, have them inspected by your SUZUKI dealer.

### WARNING

**Hitting curbs and running over rocks can damage tires and affect wheel alignment. Be sure to have tires and wheel alignment checked periodically by your SUZUKI dealer.**

- 4) Check for loose wheel nuts.
- 5) Check that there are no nails, stones or other objects sticking into the tires.

### WARNING

**Your SUZUKI is equipped with tires which are all the same type and size. This is important to ensure proper steering and handling of the vehicle. Never mix tires of different size or type on the four wheels of your vehicle. The size and type of tires used should be only those approved by SUZUKI Motor Corporation as standard or optional equipment for your vehicle.**

### WARNING

**Replacing the wheels and tires equipped on your vehicle with certain combinations of aftermarket wheels and tires can significantly change the steering and handling characteristics of your vehicle. Oversized tires may also rub against the fender over bumps, causing vehicle damage or tire failure. Therefore, use only those wheel and tire combinations approved by SUZUKI Motor Corporation as standard or optional equipment for your vehicle. For information regarding the specified tires, refer to the Tire Information Label located on the driver's side door pillar or the "SPECIFICATIONS" section.**

### CAUTION

**Replacing the original tires with tires of a different size may result in false speedometer or odometer readings. Check with your SUZUKI dealer before purchasing replacement tires that differ in size from the original tires.**

### Uniform Tire Quality Grading

The U.S. National Highway Traffic Safety Administration has developed a grading system for evaluating the performance of passenger car tires. The following information will help you understand the grading system, which applies to vehicles sold in the U.S. Consult your SUZUKI dealer or tire retailer for help in choosing the correct replacement tires for your vehicle.

Quality grades can be found where applicable on the tire sidewall between tread shoulder and maximum section width. For example:

Treadwear 200 Traction AA Temperature A

### DOT Quality Grades Treadwear Traction AA A B C Temperature A B C

All Passenger Car Tires Must Conform To Federal Safety Requirements in Addition To These Grades

#### Treadwear

The treadwear grade is a comparative rating based on the wear rate of the tire when tested under controlled conditions on a specified government test course. For example, a tire graded 150 would wear one and one-half (1 1/2) times as well on the government course as a tire graded 100. The relative performance of tires depends upon the actual conditions of their use, however and may depart significantly from

## INSPECTION AND MAINTENANCE

the norm due to variations in driving habits, service practices and differences in road characteristics and climate.

### Traction – AA, A, B, C

The traction grades, from highest to lowest, are AA, A, B and C. Those grades represent the tire's ability to stop on wet pavement as measured under controlled conditions on specified government test surfaces of asphalt and concrete. A tire marked C may have poor traction performance.

#### **⚠ WARNING**

**The traction grade assigned to this tire is based on straight-ahead braking traction tests, and does not include acceleration, cornering, hydroplaning or peak traction characteristics.**

### Temperature – A, B, C

The temperature grades are A (the highest), B and C, representing the tire's resistance to the generation of heat and its ability to dissipate heat when tested under controlled conditions on a specified indoor laboratory test wheel. Sustained high temperature can cause the material of the tire to degenerate and reduce tire life, and excessive temperature can lead to sudden tire failure. The grade C corresponds to a level of performance which all passenger car tires must meet under the Federal

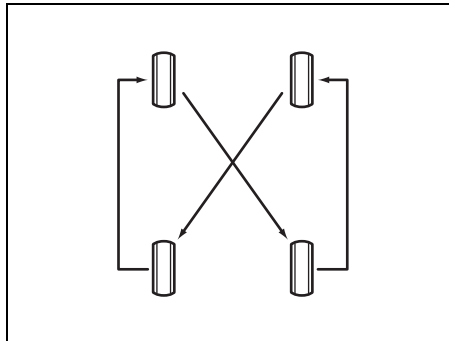
Motor Vehicle Safety Standard No. 109. Grades B and A represent higher levels of performance on the laboratory test wheel than the minimum required by law.

#### **⚠ WARNING**

**The temperature grade for this tire is established for a tire that is properly inflated and not overloaded. Excessive speed, underinflation or excessive loading, either separately or in combination, can cause heat buildup and possible tire failure.**

### Tire Rotation

#### 4-tire rotation



To avoid uneven wear of your tires and to prolong their life, rotate the tires as illustrated. Tires should be rotated as recommended in the periodic maintenance

schedule. After rotation, adjust front and rear tire pressures to the specification listed on your vehicle's Tire and Loading Information Label.

#### **⚠ WARNING**

**Rust or dirt on a wheel, or on the parts to which it is fastened, can make wheel nuts become loose after a time. The wheel could come off and cause an accident. When you change a wheel, remove any rust or dirt from places where the wheel attaches to the vehicle. In an emergency, you can use a cloth or a paper towel to do this; but be sure to use a scraper or wire brush later, if you need to, to get all the rust or dirt off.**

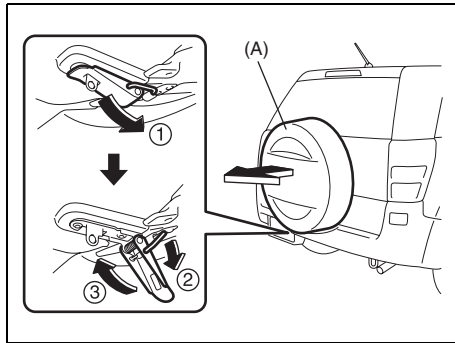
## Changing Wheels

To change a wheel, use the following procedure:

- 1) Remove the jack, tools and spare wheel from the vehicle.

### NOTE:

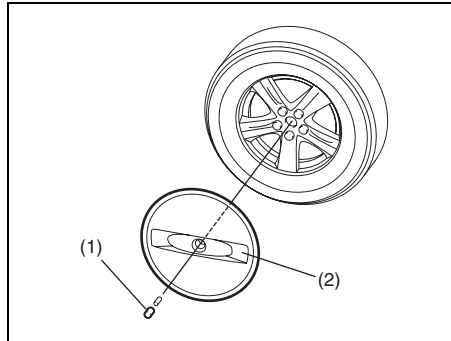
*How to remove the spare wheel:*



64J178

1. (Full cover type)

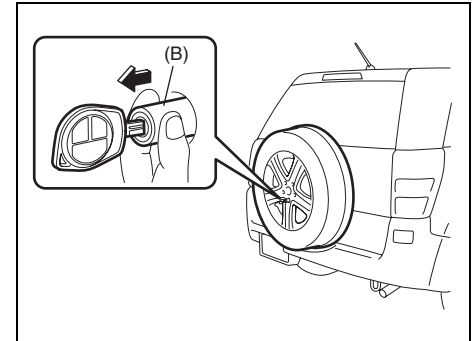
*Release the lock at the underneath of the spare wheel full cover (A) as shown in the illustration, then remove the outer cover of the spare wheel full cover.*



64J179

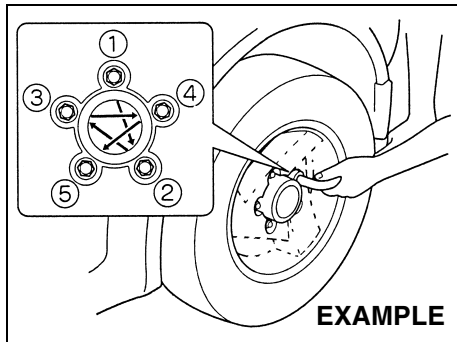
### (Half cover type)

*Remove the center bolt (1), then remove the outer cover (2) of the spare wheel half cover.*



64J180

2. Pull out the lock cover (B) fitted on the lock nut of the spare wheel while inserting the key full into the key hole of the lock cover (B).
3. Remove the lock nut and wheel nuts of the spare wheel, then remove the spare wheel with both hands.
- 2) Loosen, but do not remove the wheel nuts.
- 3) Jack up the vehicle (follow the jacking instructions in the "EMERGENCY SERVICE" section in this manual).
- 4) Remove the wheel nuts and wheel.
- 5) Install the new wheel and replace the wheel nuts with their cone shaped end facing the wheel. Tighten each nut snugly by hand until the wheel is securely seated on the hub.



81A057

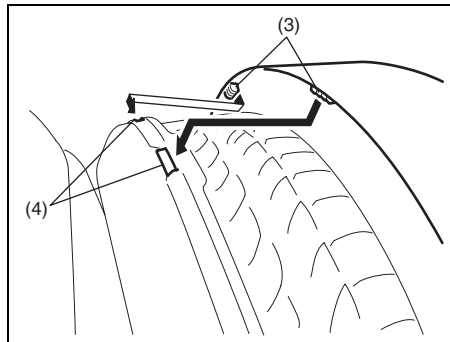
**Tightening torque for wheel nut**  
**100 Nm (72.3 lb-ft, 10.0 kg-m)**

- 6) Lower the jack and fully tighten the nuts to the specified torque in a crisscross fashion with a wrench as shown in the illustration.

**NOTE:**

*How to install the spare wheel:*

*When you install the spare wheel to the vehicle again, handle it in the reverse order of removal.*



64J196

### CAUTION

To avoid the removal of the spare wheel full cover while driving, be sure to fit the claws (3) of the outer cover of the spare wheel full cover to each hole (4) of the inner cover of the spare wheel full cover.

### ⚠ WARNING

Vehicle equipped with P225/65R17 tires have a spare wheel and tire that are a different size than the wheels and tires on the vehicle. The spare wheel and tire on these vehicles are intended for temporary emergency use only. The wheel is painted yellow to remind you that the wheel and tire are for temporary use only. Continuous use of this spare can result in tire failure and loss of control. Always observe these precautions when using this spare:

- Be aware that your vehicle will handle differently with this temporary spare.
- Do not exceed 80 km/h (50 mph) speed.
- Replace the temporary spare with a standard tire and wheel as soon as possible.
- Do not operate your vehicle in “4H LOCK” or “4L LOCK” with this temporary spare.
- Do not use tire chains on the spare tire. If you must use tire chains, rearrange the wheels so standard tires and wheels are fitted to the rear axle.

(Continued)

**⚠ WARNING**

(Continued)

- **Replace the spare tire with a new one as soon as the tread wear indicator appears.**
- **When replacing the spare tire, use a replacement tire with the exact same size and construction.**

**Snow Tires**

Your vehicle is equipped with all-season tires which are designed for use in summer and most winter conditions. For improved traction in severe winter conditions, SUZUKI recommends mounting radial snow tires on all four wheels. Snow tires must be the same size as the standard tires. Also be sure to use the tires of the same type and brand on all four wheels of your vehicle.

**GLOSSARY OF TIRE TERMINOLOGY**

**Accessory Weight** – the combined weight (in excess of those standard items which may be replaced) of automatic transmission, power steering, power brakes, power windows, power seats, radio, and heater, to the extent that these items are available as factory-installed equipment (whether installed or not).

**Cold Tire Inflation Pressure** – the pressure in a tire that has been driven less than 1 mile or has been standing for three hours or more.

**Curb Weight** – the weight of a motor vehicle with standard equipment including the maximum capacity of fuel, oil, and coolant, and, if so equipped, air conditioning and additional weight optional engine.

**Intended Outboard Sidewall** – (1) the sidewall that contains a whitewall, bears white lettering or bears manufacturer, brand, and/or model name molding that is higher or deeper than the same molding on the other sidewall of the tire, or (2) the outward facing sidewall of an asymmetrical tire that has a particular side that must always face outward when mounted on a vehicle.

**Maximum Inflation Pressure** – the maximum cold inflation pressure a tire is designed to support in normal service.

**Maximum Loaded Vehicle Weight** – the sum of curb weight, accessory weight,

vehicle capacity weight (total load capacity), and production options weight.

**Normal Occupant Weight** – 68 kilograms times the number of occupants specified in the second column of Table 1 (shown below).

**Occupant distribution** – distribution of occupants in a vehicle as specified in the third column of Table 1 (shown below).

**Production Options Weight** – the combined weight of those installed regular production options weighing over 2.3 kilograms in excess of those standard items which they replace, not previously considered in curb weight or accessory weight, including heavy duty brakes, ride levelers, roof rack, heavy duty battery, and special trim.

**Recommended Inflation Pressure** – the cold tire inflation pressure recommended by a manufacturer.

**Rim** – metal support for a tire or tire and tube assembly upon which the tire beads are seated.

**Vehicle Capacity Weight** – the rated cargo and luggage load plus 68 kilograms (150 lbs) times the vehicle's designated seating capacity.

**Vehicle Maximum Load on the Tire** – the load on an individual tire that is determined by distributing to each axle its share of the maximum loaded vehicle weight and dividing by two.

## INSPECTION AND MAINTENANCE

Vehicle Normal Load on the Tire – the load on an individual tire that is determined by distributing to each axle its share of the curb weight, accessory weight, and normal occupant weight (distributed in accordance with Table 1 shown below) and dividing by 2.

**TABLE 1 – Occupant Loading and Distribution For Vehicle Normal Load For Various Designated Seating Capacities**

Designated seating capacity, number of occupants	Vehicle normal load, number of occupants	Occupant distribution in a normally loaded vehicle
2 through 4	2	2 in front
5 through 10	3	2 in front, 1 in second seat

### Vehicle Loading

Your vehicle was designed for specific load capacities. The load capacities of your vehicle are indicated by the Gross Vehicle Weight Rating (GVWR), the Gross Axle Weight Rating (GAWR, front and rear), and the total load capacity, the seating capacity, and the cargo load capacity. The GVWR and GAWR (front and rear) are listed on the Safety Certification Label which is located below the driver's side door latch striker. The total load capacity and seating capacity are listed on the Tire and Loading Information Label which is located below the Safety Certification Label. The cargo load capacity can be determined as described below.

**Cargo Load Capacity** – Maximum weight of cargo and luggage that the vehicle can safely carry. Cargo load capacity is the difference between the total load capacity of the vehicle and the total combined weight of all vehicle occupants. Refer to “Steps for Determining Correct Load Limit” for details on how to determine cargo load capacity.

**GVWR** – Maximum permissible overall weight of the fully loaded vehicle (including all the occupants, accessories and cargo plus the trailer tongue weight if towing a trailer).

**GAWR** – (Front and Rear) Maximum permissible weight on an individual axle.

**Seating Capacity** – Maximum number of occupants the vehicle is designed to carry.

### NOTE:

*Even though the number of occupants is within the seating capacity, you still must make sure that you do not exceed the total load capacity of the vehicle.*

**Total Load Capacity** – Maximum permissible weight a vehicle can carry including the weight of all the occupants, accessories, cargo, plus trailer tongue weight (if towing a trailer).

The weight of any accessories already installed on your vehicle at the time of purchase, or that you or the dealer install after purchase, must be subtracted from the total load capacity to determine how much capacity remains available for occupants, cargo, and trailer tongue weight (if towing a trailer). Contact your dealer for further information.

Actual weight of the loaded vehicle and actual loads at the front and rear axles can only be determined by weighing the vehicle using a vehicle scale. To measure the weight and load, try making your vehicle to a highway weighing station, shipping company or inspection station for trucks, etc. Compare these weights to the GVWR and GAWR (front and rear) listed on the Safety Certification Label. If the gross vehicle weight or the load on either axle exceeds these ratings, you must remove enough weight to bring the load down to the rated capacity.



**⚠ WARNING**

**Never overload your vehicle. Overloading your vehicle can cause damage to your tires and lead to poor steering and braking which can result in an accident. The gross vehicle weight (sum of the weights of the loaded vehicle, driver and passengers) must never exceed the Gross Vehicle Weight Rating (GVWR) listed on the Safety Certification Label. In addition, never distribute a load so that the weight on either the front or rear axle exceeds the Gross Axle Weight Rating (GAWR) listed on the Safety Certification Label.**

**⚠ WARNING**

- **Always distribute cargo evenly.**
- **To avoid personal injury or damage to your vehicle, always secure cargo to prevent it from shifting if the vehicle moves suddenly.**
- **Place heavier objects on the floor and as far forward in the cargo area as possible. Never pile cargo higher than the top of the seat-backs.**

**Steps for Determining Correct Load Limit**

- 1) Locate the statement “The combined weight of occupants and cargo should

never exceed XXX kg or XXX lbs” on your vehicle’s placard.

- 2) Determine the combined weight of the driver and passengers that will be riding in your vehicle.
- 3) Subtract the combined weight of the driver and passengers from XXX kg or XXX lbs.
- 4) The resulting figure equals the available amount of cargo and luggage load capacity. For example, if the “XXX” amount equals 1400 lbs and there will be five 150 lb passengers in your vehicle, the amount of available cargo and luggage load capacity is 650 lbs ( $1400 - 750 (5 \times 150) = 650$  lbs).
- 5) Determine the combined weight of luggage and cargo being loaded on the vehicle. That weight may not safely exceed the available cargo and luggage load capacity calculated in Step 4.
- 6) If your vehicle will be towing a trailer, load from your trailer will be transferred to your vehicle. Consult this manual to determine how this reduces the available cargo and luggage load capacity of your vehicle.

**Vehicle Loading Example**

As an example, suppose that the Tire and Loading Information label on your vehicle indicates that your vehicle’s total load capacity is 950 lbs. If you were to drive your vehicle with one passenger, and the total combined weight of you and your passenger was 350 lbs, then the cargo and

luggage capacity of your vehicle would be 600 lbs ( $950 - 350 = 600$  lbs).

If you later added 2 more passengers, having a combined weight of 325 lbs, the cargo and luggage capacity of your vehicle would be reduced from 600 lbs to 275 lbs ( $600 - 325 = 275$  lbs). As you can see, as the number and combined weight of vehicle occupants increase, the vehicle’s cargo and luggage capacity decreases.

Suppose again, that you were to take a trip in your vehicle with the same three passengers described above, and you decided to tow a trailer having a trailer tongue weight of 75 lbs. The cargo and luggage capacity would be reduced again, to 200 lbs ( $275 - 75 = 200$  lbs).

**Determining Compatibility of Tire and Vehicle Load Limits**

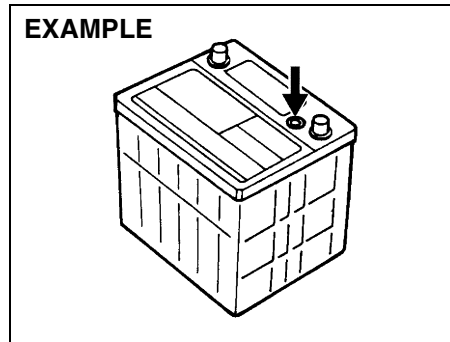
The tires on your vehicle, when they are inflated to the recommended tire inflation pressure, have a load-carrying capacity that is greater than the load that will be on the tires when the vehicle is at its GVWR or GAWR limit. Never use replacement tires that have a load-carrying capacity less than the original tires on your vehicle. Tire load-carrying capacity information is molded into the tire sidewall typically shown as “Max. Load”. Use of replacement tires with a lower load-carrying capacity than the original tires, or failure to keep the tires inflated to recommended tire pressure, may reduce the GVWR or GAWR limit of your vehicle.

## INSPECTION AND MAINTENANCE

### NOTE:

Use of replacement tires with a higher load-carrying capacity than the original tires, or using a tire inflation pressure higher than the recommended tire inflation pressure, will not increase the GVWR or GAWR limit of your vehicle.

### Battery



60A269

#### **⚠ WARNING**

**Batteries produce flammable hydrogen gas. Keep flames and sparks away from the battery or an explosion may occur. Never smoke when working near the battery.**

#### **⚠ WARNING**

**When checking or servicing the battery, disconnect the negative cable. Be careful not to cause a short circuit by allowing metal objects to contact the battery posts and the vehicle at the same time.**

#### **⚠ WARNING**

**To avoid harm to yourself or damage to your vehicle or battery, follow the jump starting instructions in the “EMERGENCY SERVICE” section of this manual if it is necessary to jump start your vehicle.**

#### **⚠ WARNING**

**Battery posts, terminals and related accessories contain lead and lead compounds. Wash hands after handling.**

Your vehicle is equipped with a battery that requires infrequent maintenance. You will never have to add water. You should, however, periodically check the battery, battery terminals and battery hold-down bracket for corrosion. Remove corrosion using a stiff brush and ammonia mixed with water, or baking soda mixed with water. After removing corrosion, rinse with clean water.

The test indicator on the top of the battery provides information on the condition of the battery.

If your vehicle is not going to be driven for a month or longer, disconnect the cable from the negative terminal of the battery to help prevent discharge.

**Fuses**

Your vehicle has three types of fuses, as described below:

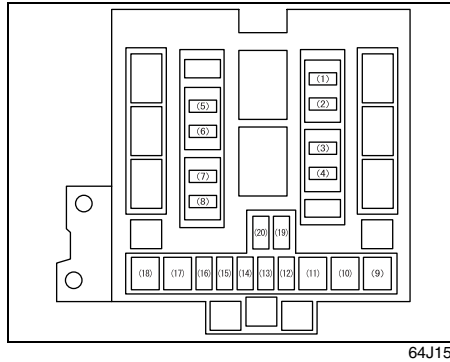
**Main Fuse** – The main fuse takes current directly from the battery.

**Primary Fuses** – These fuses are between the main fuse and individual fuses, and are for electrical load groups.

**Individual Fuses** – These fuses are for individual electrical circuits.

For details on protected circuits, refer to the “FUSES AND PROTECTED CIRCUITS” section in this manual.

**Main Fuse Box**



Main Fuse / Primary Fuse			
(1)	15A	CPRSR	A/C compressor fuse
(2)	20A	O2 HTR	O <sub>2</sub> sensor heater fuse
(3)	15A	THR MOT	Throttle motor fuse
(4)	20A	AT	Automatic transmission fuse
(5)	25A	RR DEF	Rear defogger fuse
(6)	15A	HORN	Horn fuse
(7)	20A	FR FOG	Front fog light fuse
(8)	20A	MRR HTR	Mirror heater fuse
(9)	40A	FR BLW	Front blower motor fuse
(10)	30A	ABS 2	ABS actuator fuse

(11)	50A	ABS 1	ABS actuator fuse
(12)	20A	FI	Main fuse
(13)	–	–	Blank
(14)	10A	H/L L	Head light high beam fuse, left
(15)	10A	H/L R	Head light high beam fuse, right
(16)	10A	H/L	Head light fuse
(17)	40A	ST	Starter motor fuse
(18)	40A	IGN	Ignition fuse
(19)	15A	H/L LO L	Head light low beam fuse, left
(20)	15A	H/L LO R	Head light low beam fuse, right

The main fuse, primary fuses and some of the individual fuses are located in the engine compartment. If the main fuse blows, no electrical component will function. If a primary fuse blows, no electrical component in the corresponding load group will function. When replacing the main fuse or a primary fuse, use a genuine SUZUKI replacement.

## INSPECTION AND MAINTENANCE

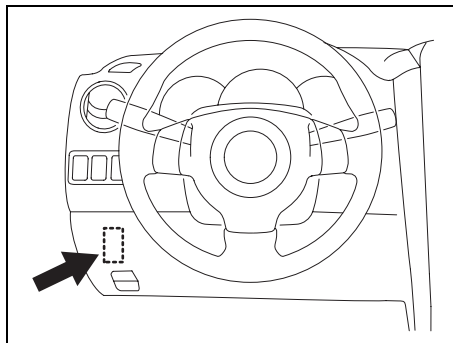
PRIMARY FUSE	INDIVIDUAL FUSE
60A LAMP	Head light, Accessory, Dome light, Sunroof, Hazard light, Door lock, Rear fog light, Stop lamp, Tail light
50A IGN 2	Wiper/Washer, Power window, Seat heater
40A 4WD	4WD actuator
30A RDTR 1	Radiator fan
30A RDTR 2	Radiator fan

### WARNING

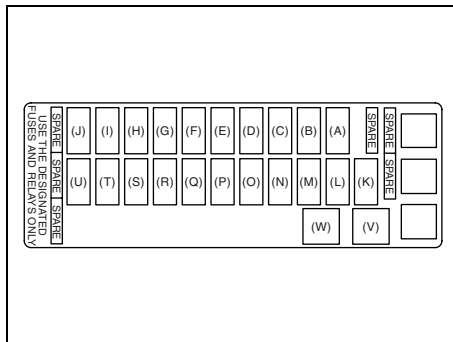
If a fuse in the main fuse box blows, be sure to have your vehicle inspected by an authorized SUZUKI dealer. Always use a genuine SUZUKI replacement. Never use a substitute such as a wire even for a temporary fix, or extensive electrical damage and a fire can result.

## Fuse under the Dash Board

### Fuse box



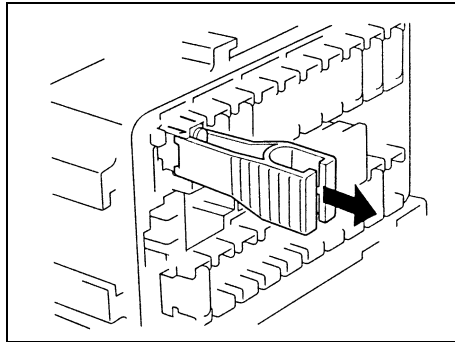
64J192



64J158

(A)	15A	STOP	Stop lamp fuse
(B)	–	–	Blank
(C)	15A	ACC 3	Accessory socket fuse
(D)	10A	CRUISE	Cruise control fuse
(E)	15A	ACC 2	Cigar or Accessory socket fuse
(F)	20A	WIP	Wiper fuse
(G)	15A	IG2 SIG	Ignition signal & Seat heater fuse
(H)	10A	BACK	Back lamp fuse
(I)	10A	ABS/ESP	ABS or ESP controller fuse
(J)	15A	A/B	Air bag fuse
(K)	–	–	Blank
(L)	15A	HAZ	Hazard light fuse
(M)	7.5A	ST SIG	Starter signal fuse
(N)	20A	RR BLOW	Blank
(O)	25A	S/R	Sun roof motor fuse
(P)	15A	DOME	Dome lamp fuse
(Q)	10A	TAIL	Tail light fuse
(R)	20A	D/L	Door lock actuator fuse
(S)	15A	ACC	Radio, Remote door mirror fuse

(T)	10A	METER	Meter fuse
(U)	20A	IG COIL	Ignition coil fuse
(V)	20A	P/W T	Power window fuse
(W)	30A	P/W	Power window fuse



65D045

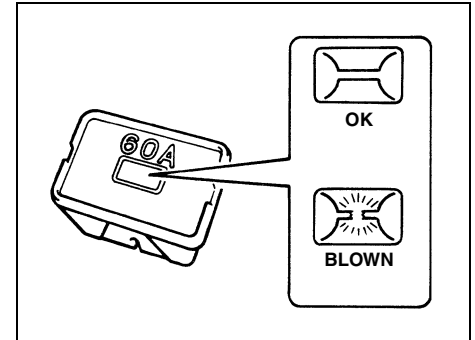
The fuse box is located under the driver's side of the dashboard. To remove a fuse, use the fuse puller provided in the fuse box.

## ⚠ WARNING

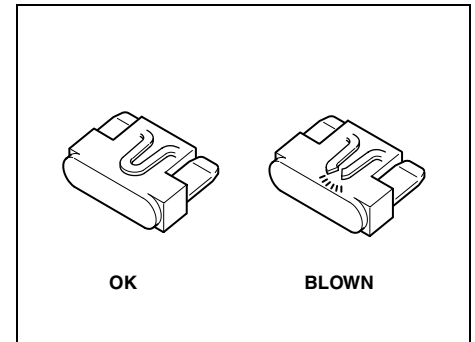
Always be sure to replace a blown fuse with a fuse of the correct amperage. Never use a substitute such as aluminum foil or wire to replace a blown fuse. If you replace a fuse and the new one blows in a short period of time, you may have a major electrical problem. Have your vehicle inspected immediately by your SUZUKI dealer.

### NOTE:

Make sure that the fuse box cover always carries spare fuses.



60A243



81A283

### Headlight Aiming

Since special procedures are required, we recommend you take your vehicle to your SUZUKI dealer for headlight alignment.

### Bulb Replacement

#### ⚠ WARNING

- Light bulbs can be hot enough to burn your finger right after being turned off. This is true especially for halogen headlight bulbs. Replace the bulbs after they become cool enough.
- The headlight bulbs are filled with pressurized halogen gas. They can burst and injure you if they are hit or dropped. Handle them carefully.

#### CAUTION

The oils from your skin may cause a halogen bulb to overheat and burst when the lights are on. Grasp a new bulb with a clean cloth.

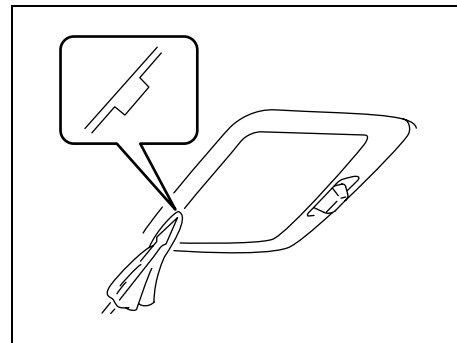
#### CAUTION

Frequent replacement of a bulb indicates the need for an inspection of the electrical system. This should be carried out by your SUZUKI dealer.

#### NOTE:

*If it is difficult to replace headlight bulbs or clearance light bulbs due to under-hood components trust this job to your dealer.*

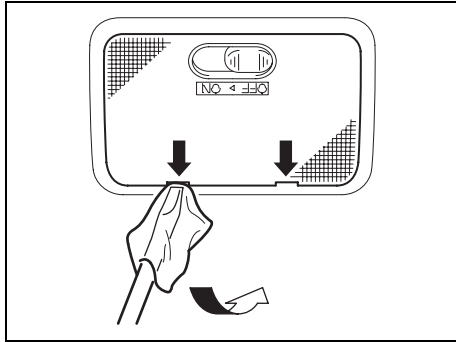
### Center Interior Light (if equipped)



Pull down the lens by using a plain screw driver covered with a soft cloth as shown. To install it, simply push it back in.

The bulb can be removed by simply pulling it out. When replacing the bulb, make sure that the contact springs are holding the bulb securely.

## Rear Interior Light (if equipped)



64J160

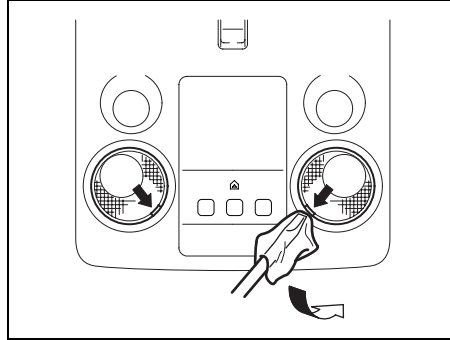
Pull down the lens by using a plain screw driver covered with a soft cloth as shown. To install it, simply push it back in.

The bulb can be removed by simply pulling it out.

## Spot Light (if equipped)

Pull down the lens by using a plain screw driver covered with a soft cloth as shown.

## Ceiling-mount type (if equipped)



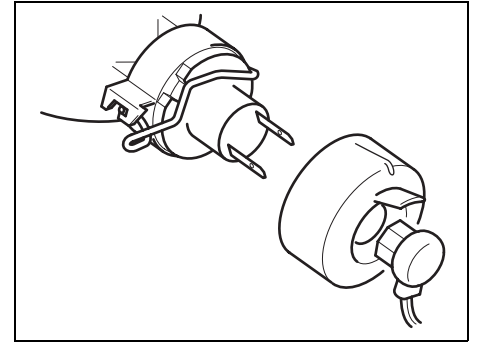
66J010

Remove the bulb holder by turning it counterclockwise. Pull out the bulb.

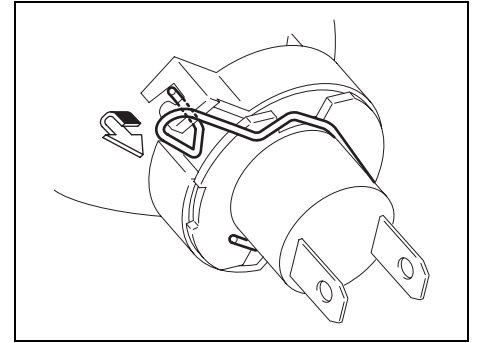
## Headlights

### Low beam

(Halogen headlamp)



66J036



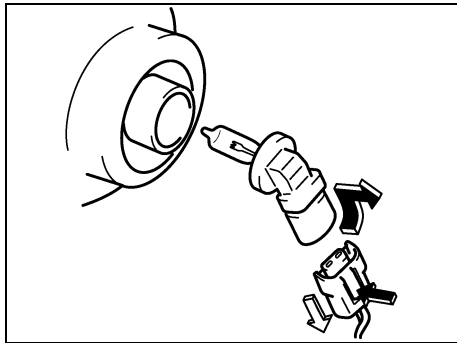
66J108

## INSPECTION AND MAINTENANCE

Open the engine hood. Disconnect the coupler. Remove the sealing rubber.

Push the retaining spring forward and unhook it. Then remove the bulb. Install a new bulb in the reverse order of removal.

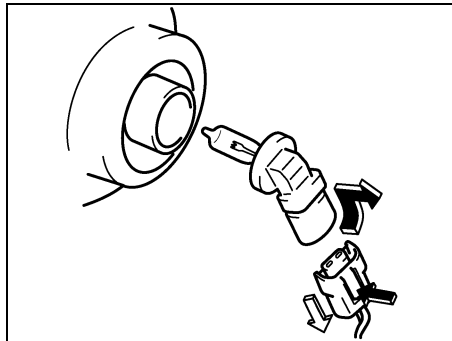
### High beam



78F072

Open the engine hood. Disconnect the coupler while pushing the lock release. Turn the bulb holder counterclockwise to remove it.

### Front Fog Light

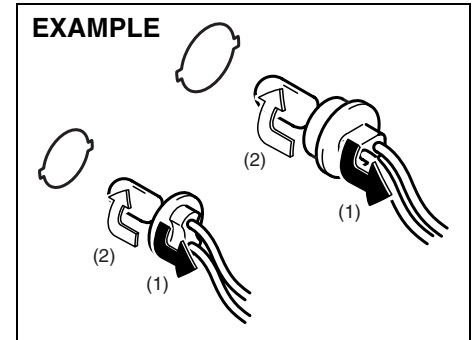


78F072

Open the engine hood. Disconnect the coupler while pushing the lock release. Turn the bulb holder counterclockwise to remove it.

### Other General Lights

#### Bulb holder



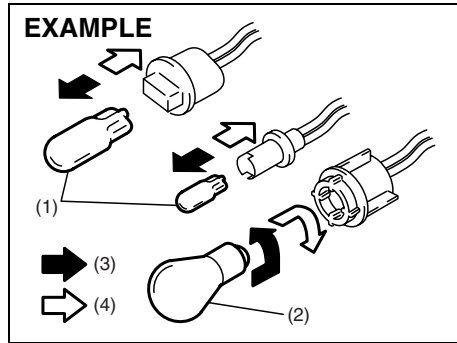
54G123

- (1) Removal
- (2) Installation

To remove a bulb holder from a light housing, turn the holder counterclockwise and pull it out. To install the holder, push the holder in and turn it clockwise.



## Bulb



54G124

- (3) Removal
- (4) Installation

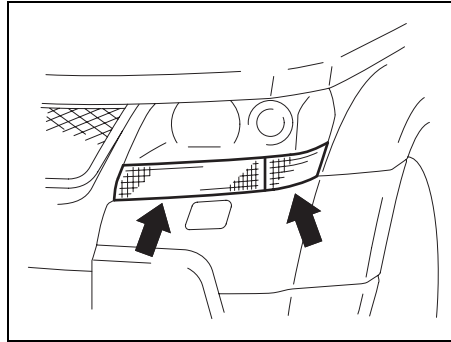
There are two types of bulb, "Full glass type" (1) and "Glass/metal type" (2).

To remove and install a full glass type bulb (1), simply pull out or push in the bulb.

To remove a glass metal type bulb (2) from a bulb holder, push in the bulb and turn it counterclockwise. To install a new bulb, push it in and turn it clockwise.

You can access the individual bulb or bulb holders as follows.

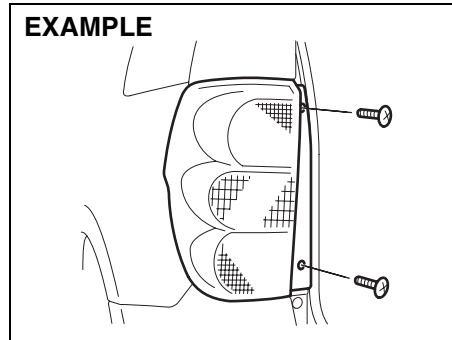
## Parking/Turn signal light



64J163

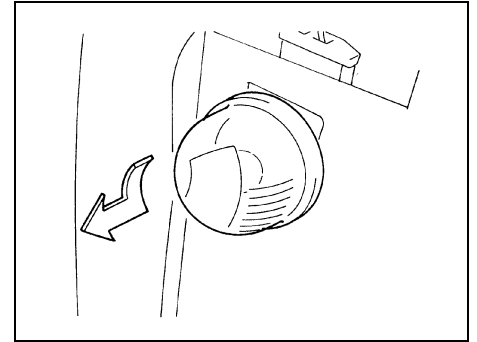
Trust this replacement job to your dealer as the front grille and the headlight housing must be removed for this job.

## Rear combination light



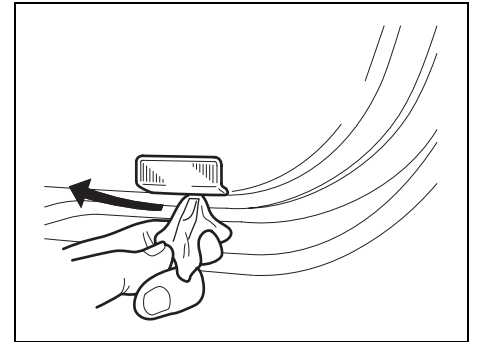
64J164

## License plate light



75F087

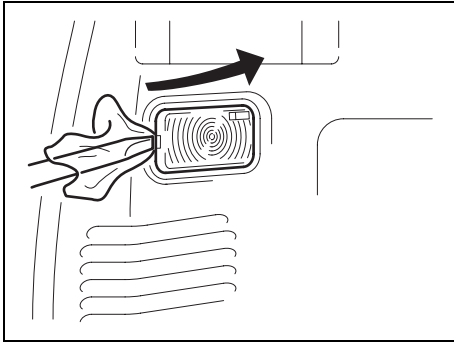
## Door illumination light



64J165

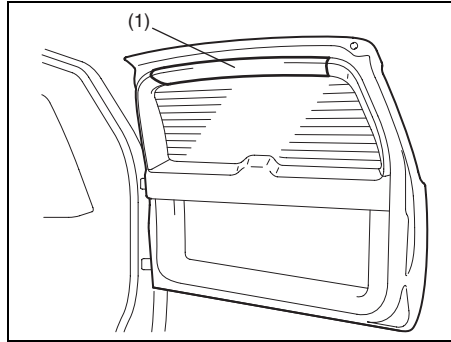
## INSPECTION AND MAINTENANCE

### Luggage compartment light



64J166

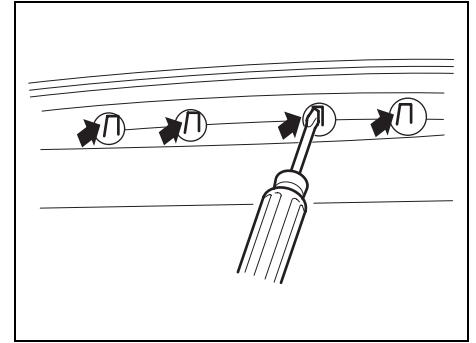
### High-mount stop light (if equipped)



64J181

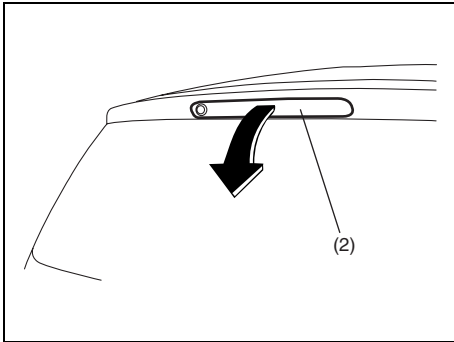
To remove a high-mounted stop light housing the following procedure:

- 1) Open the tailgate, and remove the trim (1) as shown in the illustration.



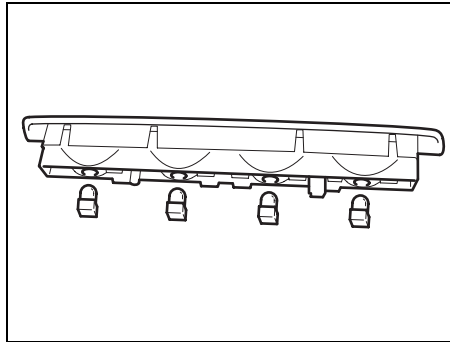
64J182

- 2) Release the claws of the light housing by the flat head etc. through the service holes as shown in the illustration.



64J183

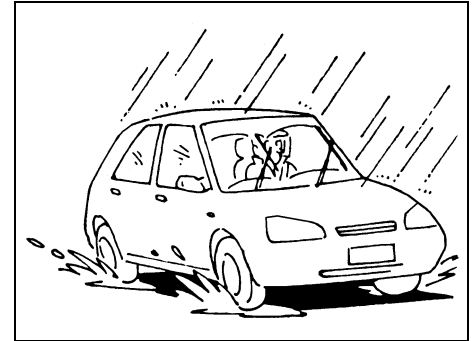
- 3) Close the tailgate. Remove a high-mounted stop light housing (2) from the tailgate.



64J184

- 4) Remove the each bulb.  
5) Replace the bulbs.  
To install a high-mounted stop light housing in the reverse order of removal.

## Wiper Blades



54G129

If the wiper blades become brittle or damaged, or make streaks when wiping, replace the wiper blades.

To install new wiper blades, follow the procedures below.

### CAUTION

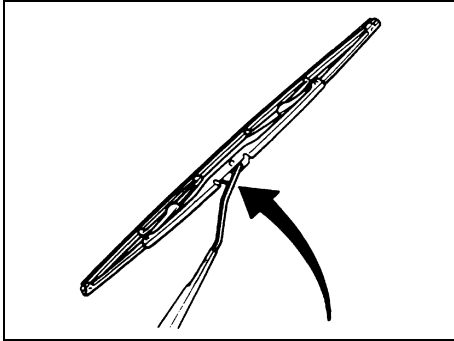
**To avoid scratching or breaking the window, do not let the wiper arm strike the window while replacing the wiper blade.**

### NOTE:

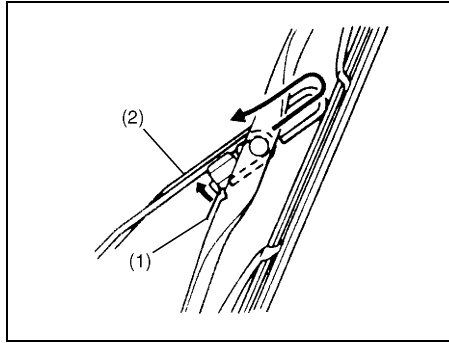
*Some wiper blades may be different from the ones described here depending on vehicle specifications. If so, consult your SUZUKI dealer for proper replacement method.*

## INSPECTION AND MAINTENANCE

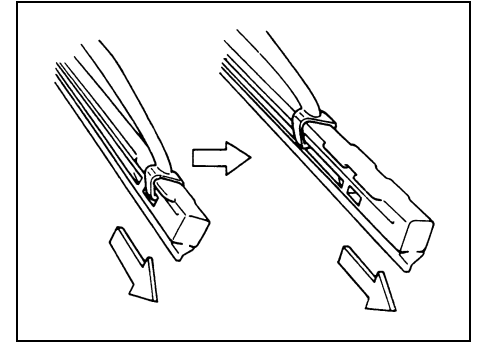
For windshield wipers:



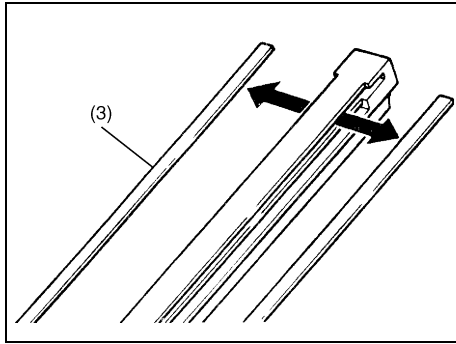
1) Hold the wiper arm away from the window.



2) Squeeze lock lever (1) towards wiper arm (2) and remove the wiper frame from the arm as shown.



3) Pull the locked end of the wiper blade firmly to unlock the blade and slide the blade out as shown.

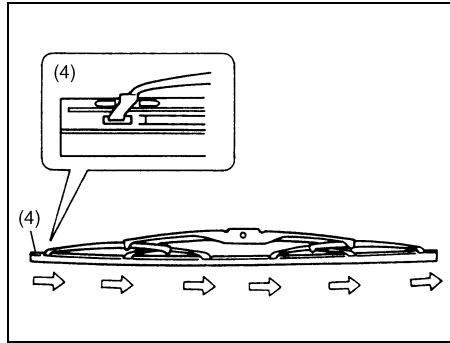


52D124

(3) Retainer

- 4) If the new blade is provided without the two metal retainers, move them from the old blade to the new one.

## Installation

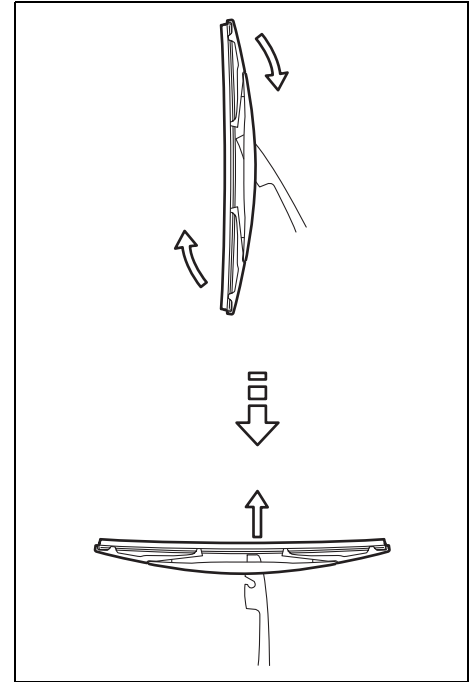


52D125

(4) Locked end

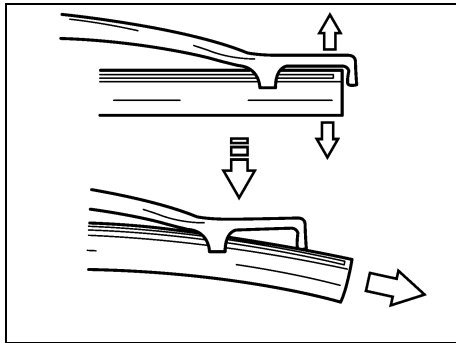
- 5) Install the new blade in the reverse order of removal, with the locked end positioned toward the wiper arm. Make sure the blade is properly retained by all the hooks. Grasp the blade near the locked end and pull in the direction of the arrows to lock the end into place.
- 6) Reinstall wiper frame to arm, making sure that the lock lever is snapped securely into the arm.

## For rear wipers:



80G146

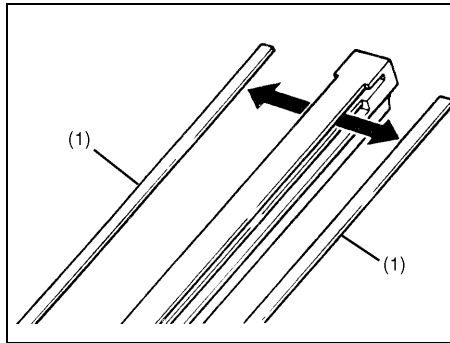
- 1) Hold the wiper arm away from the window.
- 2) Remove the wiper frame from the arm as shown.
- 3) Slide the blade out as shown.



65D151

**NOTE:**

*Do not flex the wiper blade frame end more than necessary. If you do, it can break off.*



54G135

(1) Retainer

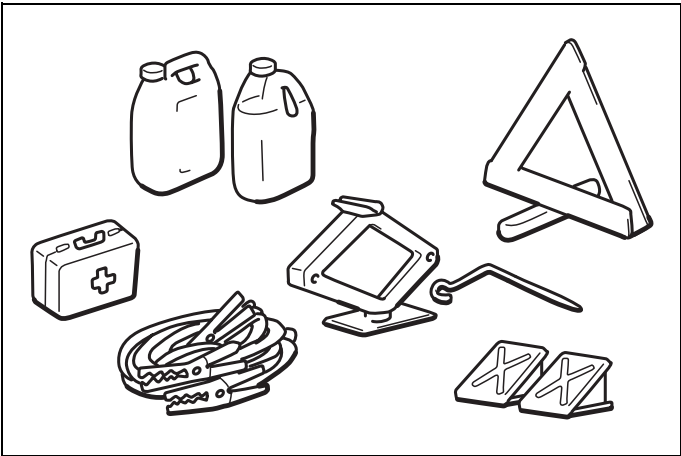
- 4) If the new blade is provided without the two metal retainers, move them from the old blade to the new one.
- 5) Install the new blade in the reverse order of removal.  
Make sure the blade is properly retained by all the hooks.
- 6) Reinstall wiper frame to arm in the reverse order of removal.

## Air Conditioning System

If you do not use the air conditioner for a long period, such as during winter, it may not give the best performance when you start using it again. To help maintain optimum performance and durability of your air conditioner, it needs to be run periodically. Operate the air conditioner at least once a month for one minute with the engine idling. This circulates the refrigerant and oil and helps protect the internal components.

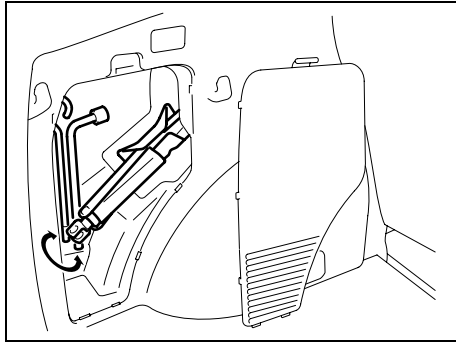
# EMERGENCY SERVICE

- Jacking Instructions ..... 10-1
- Jump Starting Instructions ..... 10-3
- Towing a Disabled Vehicle ..... 10-4
- If the Starter Does Not Operate ..... 10-4
- If the Engine is Flooded ..... 10-5
- If the Engine Overheats ..... 10-5
- If You Can Not Shift Automatic Transmission Gearshift  
Lever Out of "P" (PARK) ..... 10-6

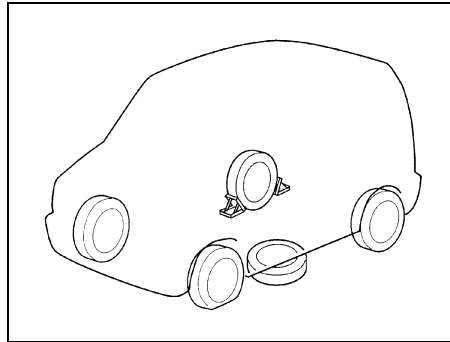


60G411

## Jacking Instructions

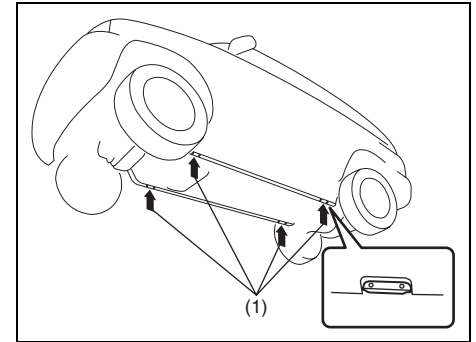


64J124



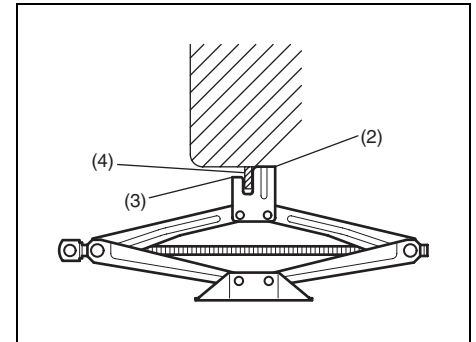
75F062

- 1) Place the vehicle on level, hard ground.
- 2) Set the parking brake firmly and shift into "P" (Park) if your vehicle has an automatic transmission, or shift into "R" (Reverse) if your vehicle has a manual transmission.
- 3) Turn on the hazard warning flasher if your vehicle is near traffic.
- 4) Block the front and rear of the wheel diagonally opposite of the wheel being lifted.
- 5) Place the spare wheel near the wheel being lifted as shown in the illustration in case that the jack slips.



64J194

- (1) Jacking point



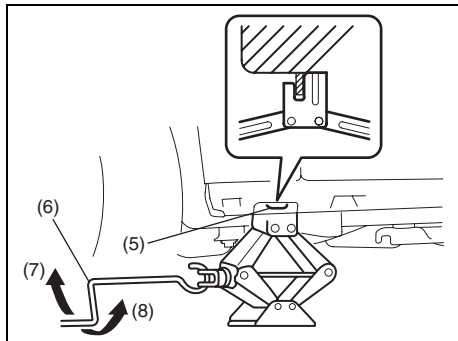
64J250

- (2) Upper flat surface  
(3) Lower flat surface  
(4) flange of the body



- 6) Position the upper flat surface (2) of the jack at the inside of the underbody flange as shown in the illustration.

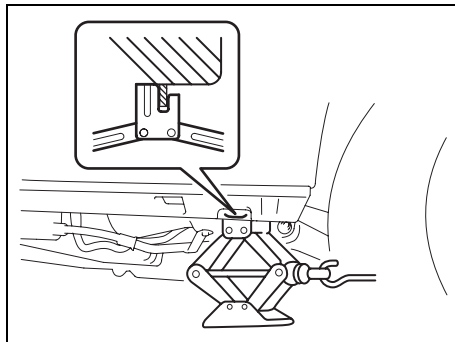
## Front



64J251

- (5) Designated jacking point  
 (6) Jack handle  
 (7) Raise  
 (8) Lower

## Rear



64J252

- 7) Position the jack vertically and raise the jack by turning the jack handle clockwise until the jack head recess fits around the flange at the designated jacking point as shown in the illustration.  
 8) Continue to raise the jack slowly and smoothly until the tire clears the ground. Do not raise the vehicle more than necessary.

**⚠ WARNING**

- Use the jack only to change wheels on level, hard ground.
- Never jack up the vehicle on an inclined surface.
- Never raise the vehicle with the jack in a location other than the designated jacking point near the wheel to be changed.
- Make sure that the jack is raised at least 51 mm (2 inches) before it contacts the flange. Use of the jack when it is within 51 mm (2 inches) of being fully collapsed may result in failure of the jack.
- Never get under the vehicle when it is supported by the jack.
- Never run the engine when the vehicle is supported by the jack and never allow passengers to remain in the vehicle.

## Jump Starting Instructions

### ⚠ WARNING

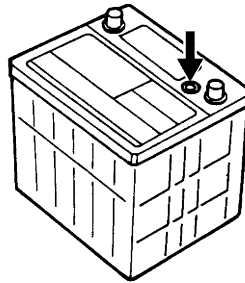
- Never attempt to jump start your vehicle if the battery appears to be frozen. Batteries in this condition may explode or rupture if jump starting is attempted.
- When making jumper cable connections, be certain that your hands and the jumper cables remain clear from pulleys, belts or fans.
- Batteries produce flammable hydrogen gas. Keep flames and sparks away from the battery or an explosion may occur. Never smoke when working near the battery.
- If the booster battery you use for jump starting is installed in another vehicle, make sure the two vehicles are not touching each other.
- If your battery discharges repeatedly, for no apparent reason, have your vehicle inspected by an authorized SUZUKI dealer.
- To avoid harm to yourself or damage to your vehicle or battery, follow the jump starting instructions below precisely and in order. If you are in doubt, call for qualified road service.

### CAUTION

Your vehicle should not be started by pushing or towing. This starting method could result in permanent damage to the catalytic converter. Use jumper cables to start a vehicle with a weak or run-down battery.

When jump starting your vehicle, use the following procedure:

### 12V BATTERY

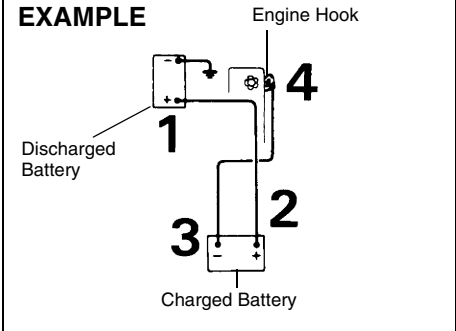


60A269

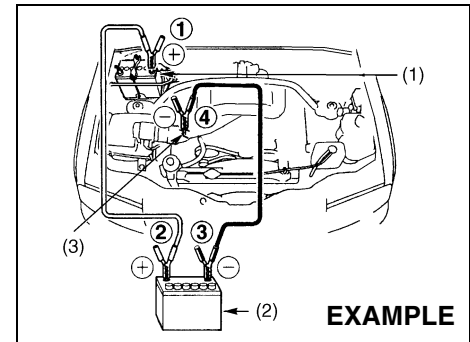
- 1) Use only a 12 volt battery to jump start your vehicle. Position the good 12V battery close to your vehicle so that the jumper cables will reach both batteries. When using a battery installed on another vehicle, **DO NOT LET THE VEHICLES TOUCH**. Set the parking brakes fully on both vehicles.

- 2) Turn off all vehicle accessories, except those necessary for safety reasons (for example, headlights or hazard lights).

### EXAMPLE



60A270



### EXAMPLE

52D129

- 3) Make jumper cable connections as follows:

1. Connect one end of the first jumper cable to the positive (+) terminal of the discharged battery (1).
2. Connect the other end to the positive (+) terminal of the booster battery (2).
3. Connect one end of the second jumper cable to the negative (-) terminal of the booster battery (2).
4. Make the final connection to an unpainted, heavy metal part (i.e. engine hook (3)) of the engine of the vehicle with the discharged battery (1).

**⚠ WARNING**

**Never connect the jumper cable directly to the negative (-) terminal of the discharged battery, or an explosion may occur.**

- 4) If the booster battery you are using is installed on another vehicle, start the engine of the vehicle with the booster battery. Run the engine at moderate speed.
- 5) Start the engine of the vehicle with the discharged battery.
- 6) Remove the jumper cables in the exact reverse order in which you connected them.

## Towing a Disabled Vehicle

### Emergency Towing

If your vehicle is disabled, it may be towed by a tow truck using one of the following methods:

- 1) Tow the vehicle with two wheels lifted by the tow truck and the other two wheels on a towing dolly.
- 2) Use the appropriate towing method specified for your vehicle in the "Towing Your Vehicle (recreational towing)" section, but with the wheels lifted by the tow truck instead of on a towing dolly. Be sure to carefully follow the specific instructions provided in the "Towing Your Vehicle (recreational towing)" section.

**CAUTION**

**If vehicle damage (such as steering or drivetrain damage, inability to operate free axle mechanism, etc.) prevent normal use of the towing procedures for your vehicle described in the "Towing Your Vehicle (recreational towing)" section, have your vehicle towed with two wheels lifted by the tow truck and the other two wheels on a towing dolly.**

## If the Starter Does Not Operate

- 1) Try turning the ignition switch to the "START" position with the headlights turned on to determine the battery condition. If the headlights go excessively dim or go off, it usually means that either the battery has run down or battery terminal contact is poor. Recharge the battery or correct battery terminal contact if necessary.
- 2) If the headlights remain bright, check the fuses. If the reason for failure of the starter is not obvious, there may be a major electrical problem. Have the vehicle inspected by your authorized SUZUKI dealer.

### If the Engine is Flooded

If the engine is flooded with gasoline, it may be hard to start. If this happens, press the accelerator pedal all the way to the floor and hold it there while cranking the engine. (Do not operate the starter motor for more than 15 seconds).

### If the Engine Overheats

The engine could overheat temporarily under severe driving conditions. If the engine coolant temperature gauge indicates overheating during driving:

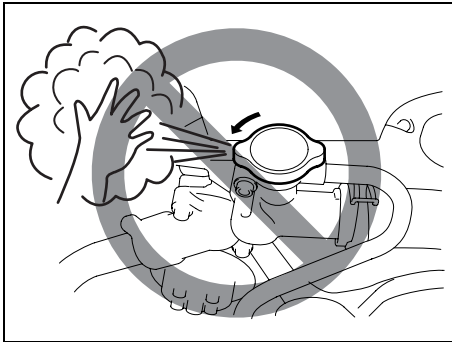
- 1) Turn off the air conditioner, if equipped.
- 2) Take the vehicle to a safe place and park.
- 3) Let the engine run at normal idle speed for a few minutes until the indicator is within the normal, acceptable temperature range shown by the white band between "H" and "C".

#### **WARNING**

**If you see or hear escaping steam, stop the vehicle in a safe place and immediately turn off the engine to let it cool. Do not open the hood when steam is present. When the steam can no longer be seen or heard, open the hood to see if the coolant is still boiling. If it is, you must wait until it stops boiling before you proceed. Also, be careful not to touch hot engine parts (radiator, water hoses, engine etc.).**

If the temperature indication does not come down to within the normal, acceptable range:

- 1) Turn off the engine and check that the water pump belt and pulleys are not damaged or slipping. If any abnormality is found, correct it.
- 2) Check the coolant level in the reservoir. If it is found to be lower than the "LOW" line, look for leaks at the radiator, water pump and radiator and heater hoses. If you locate any leaks that may have caused the overheating, do not run the engine until these problems have been corrected.
- 3) If you do not find a leak, carefully add coolant to the reservoir and then the radiator, if necessary. (Refer to "Engine Coolant" in the "INSPECTION AND MAINTENANCE" section.)

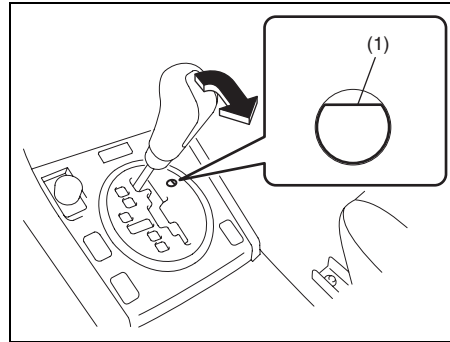


66J191

**⚠ WARNING**

- It is hazardous to remove the radiator cap when the water temperature is high, because scalding fluid and steam may be blown out under pressure. The cap should only be taken off when the coolant temperature has lowered.
- To prevent personal injury, keep hands, tools and clothing away from the engine cooling fan and air-conditioner fan (if equipped). These electric fans can automatically turn on without warning.

**If You Can Not Shift Automatic Transmission Gearshift Lever Out of “P” (PARK)**



64J216

Vehicles with an automatic transmission have an electrically operated park-lock feature. If the vehicle's battery is discharged, or there is some other electrical failure, the automatic transmission cannot be shifted out of Park in the normal way. Jump starting may correct the condition. If not, follow the procedure described below. This procedure will permit shifting the transmission out of Park.

- 1) Be sure the parking brake is firmly applied.
- 2) If the engine is running, stop the engine.

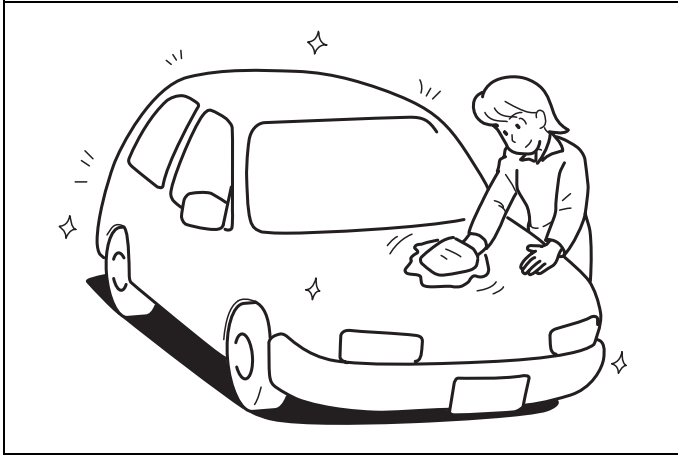
- 3) Make sure the key is in the “ON” or “ACC” position.
- 4) Remove the cover (1) on the hole.
- 5) With inserting the key or the flat end rod into the slot in the hole, shift the gearshift lever to the desired position.

This procedure is for emergency use only. If repeated use of this procedure is necessary, or the procedure does not work as described, take the vehicle to your dealer for repair.



## APPEARANCE CARE

Corrosion Prevention .....	11-1
Vehicle Cleaning .....	11-3



60G412

## APPEARANCE CARE

### Corrosion Prevention

It is important to take good care of your vehicle to protect it from corrosion.

Listed below are instructions for how to maintain your vehicle to prevent corrosion. Please read and follow these instructions carefully.

### Important Information About Corrosion

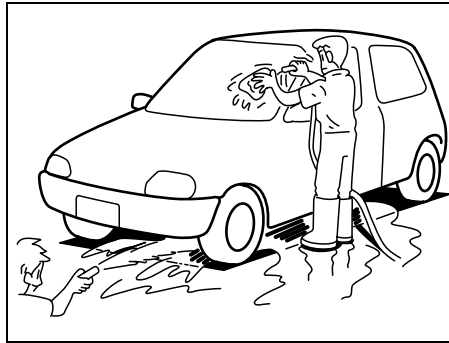
#### Common causes of corrosion

- 1) Accumulation of road salt, dirt, moisture or chemicals in hard to reach areas of the vehicle underbody or frame.
- 2) Chipping, scratches and any damage to treated or painted metal surfaces resulting from minor accidents or impact from stones and gravel.

#### Environmental conditions which accelerate corrosion

- 1) Road salt, dust control chemicals, sea air or industrial pollution will all accelerate the corrosion of metal.
- 2) High humidity will increase the rate of corrosion particularly when the temperature range is just above the freezing point.
- 3) Moisture in certain areas of a vehicle for an extended period of time may promote corrosion even though other body sections may be completely dry.
- 4) High temperatures will cause an accelerated rate of corrosion to parts of the

vehicle which are not well ventilated to permit quick drying.



52D151

This information illustrates the necessity of keeping your vehicle (particularly the underbody) as clean and dry as possible. It is equally important to repair any damage to the paint or protective coatings as soon as possible.

### How to Help Prevent Corrosion

#### Wash your vehicle frequently

The best way to preserve the finish on your vehicle and to help avoid corrosion is to keep it clean with frequent washing.

Wash your vehicle at least once during the winter and once immediately after the winter. Keep your vehicle, particularly the underside, as clean and dry as possible.

If you frequently drive on salted roads, your vehicle should be washed at least once a month during the winter. If you live near the ocean, your vehicle should be washed at least once a month throughout the year.

Wash your vehicle immediately after using it off-road. For washing instructions, refer to the "Vehicle Cleaning" section.

#### Remove foreign material deposits

Foreign material such as salts, chemicals, road oil or tar, tree sap, bird droppings and industrial fall-out may damage the finish of your vehicle if it is left on painted surfaces. Remove these types of deposits as quickly as possible. If these deposits are difficult to wash off, an additional cleaner may be required. Be sure that any cleaner you use is not harmful to painted surfaces and is specifically intended for your purposes. Follow the manufacturer's directions when using these special cleaners.

### WARNING

**Foreign material can lodge between the fuel tank of your vehicle and the skid plate which covers it. You should periodically clean out any foreign material which has accumulated in this area, since it could create a fire hazard.**



### Repair finish damage

Carefully examine your vehicle for damage to the painted surfaces, especially if it is used off-road. Should you find any chips or scratches in the paint, touch them up immediately to prevent corrosion from starting. If the chips or scratches have gone through to the bare metal, have a qualified body shop make the repair.

### Keep passenger and cargo compartments clean

Moisture, dirt or mud can accumulate under the floor mats and may cause corrosion. Occasionally, check under these mats to ensure that this area is clean and dry. More frequent checks are necessary if the vehicle is used off road or in wet weather.

Certain cargo such as chemicals, fertilizers, cleaners, salts, etc. are extremely corrosive by nature. These products should be transported in sealed containers. If a spill or leak does occur, clean and dry the area immediately.

### Use mud and gravel shields

The use of mud and gravel shields will help protect your vehicle, especially if you frequently drive on gravel or salted roads. Full-size shields, which extend as close to the road as is practical, are the best. The fittings for such shields should also be corrosion resistant. Please check with your

authorized SUZUKI dealer for information on these shields.

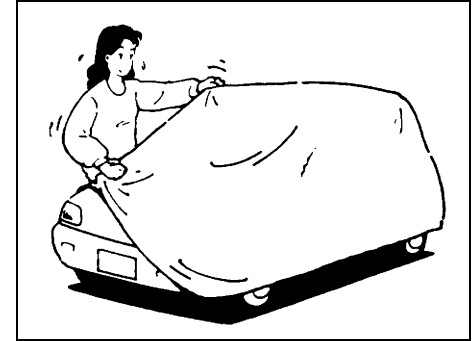
### Store your vehicle in a dry, well-ventilated area

Do not park your vehicle in a damp, poorly ventilated area. If you often wash your vehicle in the garage or if you frequently drive it in when wet, your garage may be damp. The high humidity in the garage may cause or accelerate corrosion. A wet vehicle may corrode even in a heated garage if the ventilation is poor.

### WARNING

**Do not apply additional undercoating or rust preventive coating on or around exhaust system components such as the catalytic converter, exhaust pipes, etc. A fire could be started if the undercoating substance becomes overheated.**

### Cover your vehicle



50G203

If you can not regularly park your vehicle in a garage, we recommend you use a vehicle cover. Years of exposure to midday sun can cause the colors in paint, plastic parts and fabrics to fade. Covering your vehicle with a high-quality, "breathable" vehicle cover can help protect the finish from the harmful UV rays in sunlight, and can reduce the amount of dust and air pollution reaching the surface. Your SUZUKI dealer can help you select the right cover for your vehicle.

### Vehicle Cleaning



76G044S

#### **⚠ WARNING**

**When cleaning the interior or exterior of the vehicle, NEVER USE flammable solvents such as lacquer thinners, gasoline, benzene or cleaning materials such as bleaches and strong household detergents. The materials could cause personal injury or damage to the vehicle.**

#### Cleaning Interior

##### Vinyl upholstery

Prepare a solution of soap or mild detergent mixed with warm water. Apply the solution to the vinyl with a sponge or soft cloth and let it soak for a few minutes to loosen dirt. Rub the surface with a clean,

damp cloth to remove dirt and the soap solution. If some dirt still remains on the surface, repeat this procedure.

##### Fabric upholstery

Remove loose dirt with a vacuum cleaner. Using a mild soap solution, rub stained areas with a clean damp cloth. To remove soap, rub the areas again with a cloth dampened with water. Repeat this until the stain is removed, or use a commercial fabric cleaner for tougher stains. If you use a fabric cleaner, carefully follow the manufacturer's instructions and precautions.

##### Leather upholstery

Remove loose dirt with a vacuum cleaner. Using a mild soap or saddle soap solution, wipe dirt off with a clean damp soft cloth. To remove soap, wipe the areas again with a soft cloth dampened with water. Wipe the areas dry with a soft dry cloth. Repeat this until the dirt or stain is removed, or use a commercial leather cleaner for tougher dirt or stains. If you use a leather cleaner, carefully follow the manufacturer's instructions and precautions. Do not use solvent type cleaners or abrasive cleaners.

##### Seat belts

Clean seat belts with a mild soap and water. Do not use bleach or dye on the belts. They may weaken the fabric in the belts.

##### Vinyl floor mats

Ordinary dirt can be removed from vinyl with water or mild soap. Use a brush to

help loosen dirt. After dirt is loosened, rinse the mat thoroughly with water and dry it in the shade.

##### Carpets

Remove dirt and soil as much as possible with a vacuum cleaner. Using a mild soap solution, rub stained areas with a clean damp cloth. To remove soap, rub the areas again with a cloth dampened with water. Repeat this until the stain is removed, or use a commercial carpet cleaner for tougher stains. If you use a carpet cleaner, carefully follow the manufacturer's instructions and precautions.

##### Instrument panel and console

###### NOTE:

*Wipe up spills containing chemicals, alcohol, etc., immediately with a soft, damp cloth. Use a mild soap solution if necessary. Do not use cleaners or polishes containing strong solvents or acidic solutions. These chemicals may stain and discolor the instrument panel and console.*

#### Cleaning the Exterior

#### **CAUTION**

**It is important that your vehicle be kept clean and free from dirt. Failure to keep your vehicle clean may result in fading of the paint or corrosion to various parts of the vehicle body.**

Washing

**⚠ WARNING**

- Never attempt to wash and wax your vehicle with the engine running.
- When cleaning the underside of the body and fender, where there may be sharp-edged parts, you should wear gloves and a long-sleeved shirt to protect your hands and arms from being cut.
- After washing your vehicle, carefully test the brakes before driving to make sure they have maintained their normal effectiveness.

When washing the vehicle, follow the instructions below:

- 1) Flush the underside of body and wheel housings with pressurized water to remove mud and debris. Use plenty of water.

**CAUTION**

- When washing the vehicle, avoid directing steam or hot water of more than 80°C (176°F) on plastic parts.
- To avoid damaging engine components, do not use pressurized water in the engine compartment.

- 2) Rinse the body to loosen the dirt. Remove dirt and mud from the body exterior with running water. You may use a soft sponge or brush. Do not use hard materials which can scratch the paint or plastic. Remember that the headlight covers or lenses are made of plastic in many cases.

**CAUTION**

To avoid damage to the paint or plastic surface, do not wipe the dirt off without ample water. Be sure to follow above procedure.

- 3) Wash the entire exterior with a mild detergent or car wash soap using a sponge or soft cloth. The sponge or cloth should be frequently soaked in the soap solution.

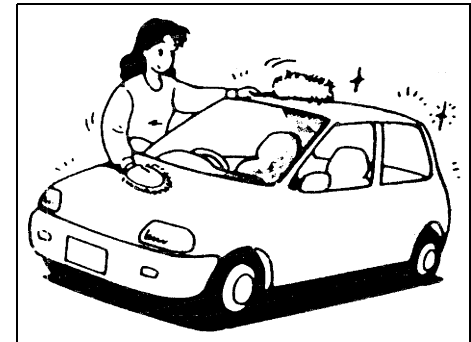
**CAUTION**

When using a commercial car wash product, observe the cautions specified by the manufacturer. Never use strong household detergents or soaps.

- 4) Once the dirt has been completely removed, rinse off the detergent with running water.
- 5) After rinsing, wipe off the vehicle body with a wet chamois or cloth and allow it to dry in the shade.

- 6) Check carefully for damage to painted surfaces. If there is any damage, “touch-up” the damage following the procedure below:
  1. Clean all damaged spots and allow them to dry.
  2. Stir the paint and “touch-up” the damaged spots lightly using a small brush.
  3. Allow the paint to dry completely.

Waxing



60B211S

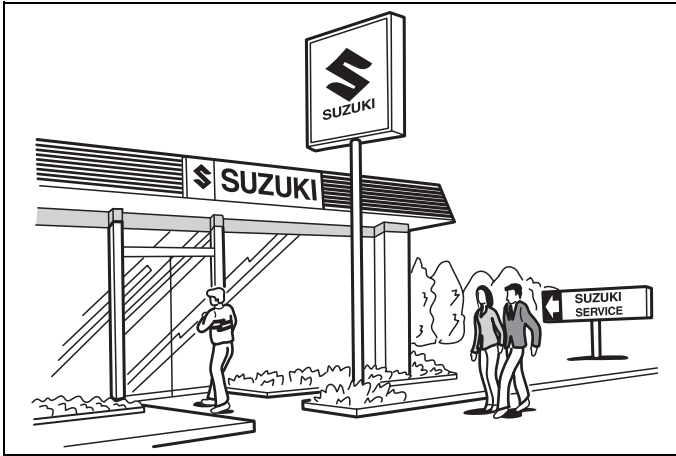
After washing the vehicle, waxing and polishing are recommended to further protect and beautify the paint.

- Only use waxes and polishes of good quality.
- When using waxes and polishes, observe the precautions specified by the manufacturers.



## GENERAL INFORMATION

Identification Numbers .....	12-1
Safety Certification Label .....	12-2
Emission Compliance Label (for U.S.A.) .....	12-2
Warranties .....	12-2
On-Board Vehicle Computers and Event Data	
Recorders .....	12-3
Reporting Safety Defects .....	12-4



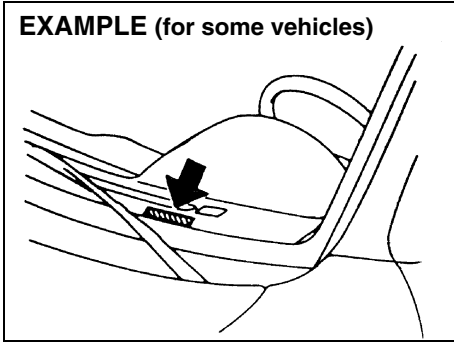
54G072

## GENERAL INFORMATION

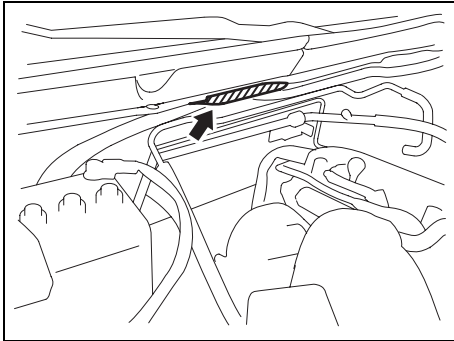
### Identification Numbers

#### Vehicle Identification Number

**EXAMPLE** (for some vehicles)



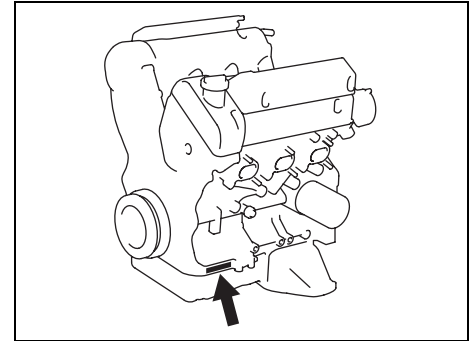
60G152



64J197

The Vehicle Identification Number (VIN) may be found in the two locations shown in the above illustrations. This number is used to register the vehicle. It is also used to assist your dealer when ordering parts or referring to special service information.

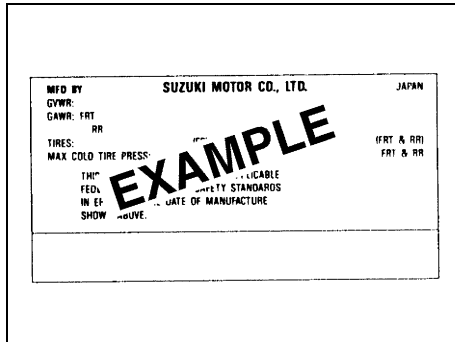
#### Engine Serial Number



66J160

The engine serial number is stamped on the cylinder block as shown in the above illustration.

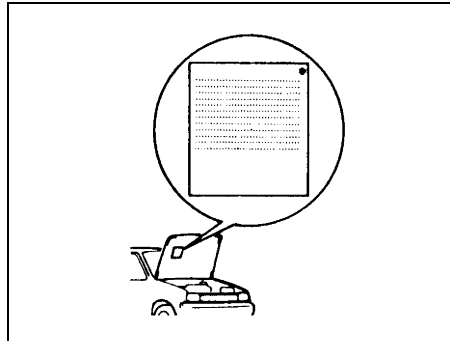
## Safety Certification Label



52D059

This label contains important safety-related information about your vehicle. The label is located on the driver's door lock pillar.

## Emission Compliance Label (for U.S.A.)



60A412

The EPA emission compliance label is located under the hood.

## Warranties

The warranties covering your vehicle are explained in a separate New Vehicle Warranty Information booklet given to you at the time of sale. Please read this booklet carefully so you can understand your rights and responsibilities.

### For U.S.A.

The following warranties are provided with your vehicle:

- New Vehicle Limited Warranty
- Limited Warranty For SUZUKI Parts or Accessories
- Emission Components Defect Warranty
- Emission Performance Warranty

### **On-Board Vehicle Computers and Event Data Recorders**

Your vehicle is equipped with on-board computer systems which monitor and control several aspects of vehicle performance, including the following:

- Emission-related components and engine parameters such as engine speed and throttle position are monitored to provide emissions control and to provide optimum fuel economy. Your vehicle also has an on-board diagnostic system which monitors and records information about emission-related malfunctions.
- Signals from various sensors are monitored to provide air bag deployment.
- If your vehicle is equipped with antilock brakes, conditions such as vehicle speed and brake performance are monitored, so that the ABS system can provide effective antilock braking. If your vehicle has an Electronic Stability Program (ESP<sup>®</sup>) system, conditions such as yaw rate, lateral acceleration, and brake fluid pressure are monitored, so that the ESP<sup>®</sup> system can help the driver control the vehicle in difficult driving situations.

Some information may be stored by the on-board computers during normal

operation of the vehicle. This stored information can assist technicians in repairing the vehicle when malfunctions occur. Other information is stored only in the event of crash, by computer systems that are commonly called Event Data Recorders (EDRs).

In a crash event, EDRs such as the Airbag Sensing and Diagnostic Module (SDM) in your vehicle may record information about the condition of the vehicle and how it was operated, such as data related to airbag readiness, airbag performance, safety belt usage, and the severity of the collision. These data can help provide a better understanding of the circumstances in which crashes and injuries occur and lead to the designing of safer vehicles. The SDM in your vehicle does not collect or store personal information.

To read the stored information, special equipment is needed and access to the vehicle or storage device is required. SUZUKI will not access information about a crash event or share it with others other than with the consent of the vehicle owner or lessee, in response to an official request from the police or similar government office, as part of SUZUKI's defense of litigation through the discovery process, or as required by law.

In addition, once SUZUKI collects or receives data, SUZUKI may use the data for research conducted by SUZUKI, make the data available for outside research if need is shown and confidentiality is assured, or make summary data which does not identify specific vehicles available for outside research.

Others, such as law enforcement personnel, may have access to the special equipment that can read the information if they have access to the vehicle or storage device.



## **Reporting Safety Defects**

If you believe that your vehicle has a defect which could cause a crash or could cause injury or death, you should immediately inform the National Highway Traffic Safety Administration (NHTSA) in addition to notifying American Suzuki Motor Corp.

If NHTSA receives similar complaints, it may open an investigation, and if it finds that a safety defect exists in a group of vehicles, it may order a recall and remedy campaign. However, NHTSA cannot become involved in individual problems between you, your dealer, or American Suzuki Motor Corp.

To contact NHTSA, you may call the Vehicle Safety Hotline toll-free at 1-888-327-4236 (TTY: 1-800-424-9153); go to <http://www.safercar.gov>; or write to: Administrator, NHTSA, 400 Seventh Street, SW., Washington, D.C. 20590. You can also obtain other information about motor vehicle safety from <http://www.safercar.gov>.

To contact American Suzuki, owners in the continental United States can call toll-free 1-800-934-0934, or write to:

American Suzuki Motor Corporation  
Automotive Customer Relations  
3251 East Imperial Highway  
Brea, CA 92821-6795

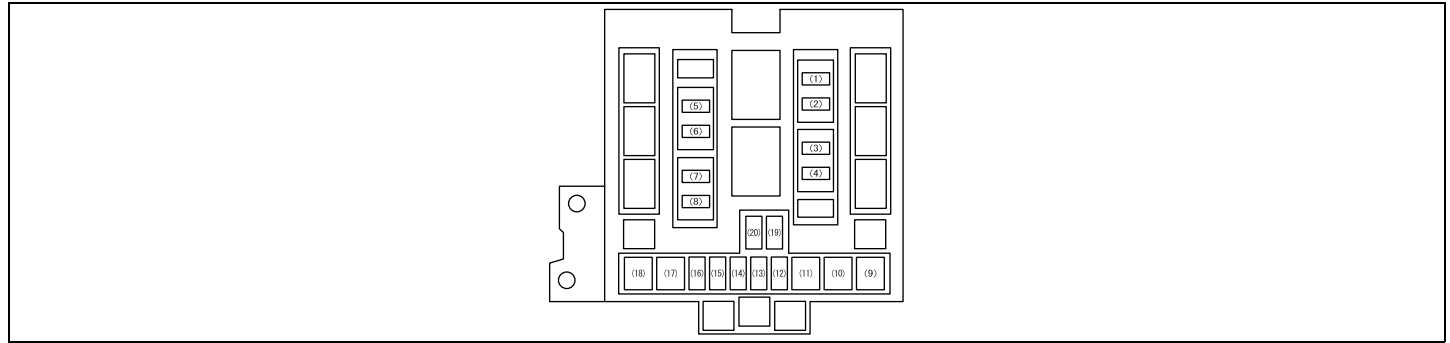
For owners outside the continental United States, please refer to the distributor's address listed in your Warranty Information booklet.

For vehicles registered for use and principally operated in Canada please contact Suzuki Canada Inc. at 1-905-889-2677 extension 2254 or write to:

Suzuki Canada Inc.  
Customer Relations  
100 East Beaver Creek Road  
Richmond Hill, On  
L4B 1J6



# FUSES AND PROTECTED CIRCUITS

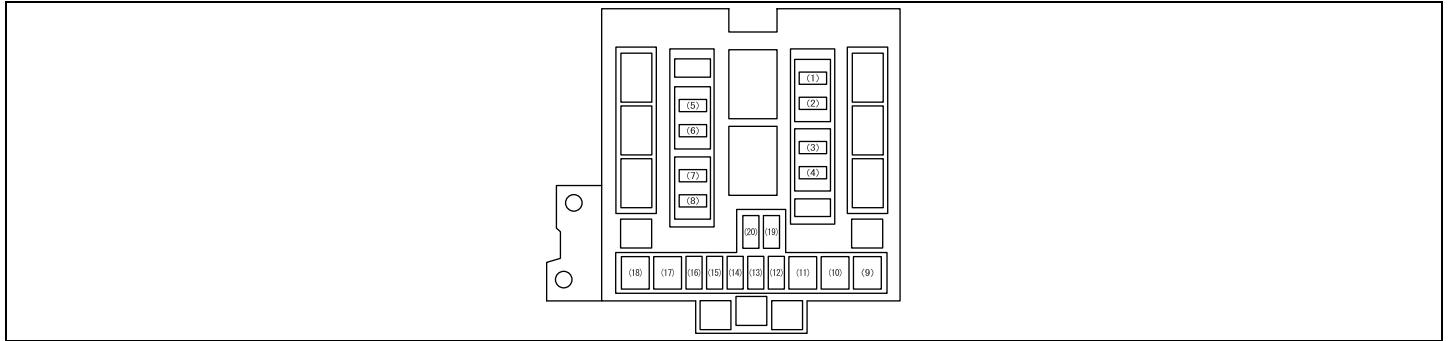


64J157

FUSES				
MAIN FUSE BOX	No.	COLOR (AMPS)	PROTECTED CIRCUIT	
	(1)	BLUE (15)	CPRSR	A/C compressor fuse
	(2)	YELLOW (20)	O2 HTR	O2 sensor heater fuse
	(3)	BLUE (15)	THR MOT	Throttle motor fuse
	(4)	YELLOW (20)	AT	Automatic transmission fuse
	(5)	CLEAR (25)	RR DEF	Rear defogger fuse
	(6)	BLUE (15)	HORN	Horn fuse
	(7)	YELLOW (20)	FR FOG	Front fog light fuse
	(8)	YELLOW (20)	MRR HTR	Mirror heater fuse
	(9)	GREEN (40)	FR BLW	Front blower motor fuse
(10)	PINK (30)	ABS 2	ABS actuator fuse	

In engine compartment

# FUSES AND PROTECTED CIRCUITS



64J157

## FUSES

	FUSES				In engine compartment
	No.	COLOR (AMPS)	PROTECTED CIRCUIT		
MAIN FUSE BOX	(11)	RED (50)	ABS 1	ABS actuator fuse	
	(12)	YELLOW (20)	FI	Main fuse	
	(13)	–	–	Blank	
	(14)	RED (10)	H/L L	Head light high beam fuse, left	
	(15)	RED (10)	H/L R	Head light high beam fuse, right	
	(16)	RED (10)	H/L	Head light fuse	
	(17)	GREEN (40)	ST MTR	Starter motor fuse	
	(18)	GREEN (40)	IGN	Ignition fuse	
	(19)	BLUE (15)	H/L LO L	Head light low beam fuse, left	
	(20)	BLUE (15)	H/L LO R	Head light low beam fuse, right	





# SPECIFICATIONS

**NOTE:**

Specifications are subject to change without notice.

4WD: 4-wheel drive  
2WD: 2-wheel drive

M/T: Manual transmission  
A/T: Automatic transmission

<b>ITEM: Dimensions</b>		<b>UNIT: mm (in.)</b>
Overall length		4470 (176.0)
Overall width		1810 (71.3)
Overall height	4WD	1695 (66.7)
	2WD	1683 (66.3)
Wheelbase		2640 (103.9)
Tread	front	1540 (60.6)
	rear	1560 (61.4)
Minimum running ground clearance	4WD	200 (7.9)
	2WD	188 (7.4)

<b>ITEM: Weight</b>	
Gross axle weight rating	See the safety certification label and the tire information label which are located on the driver's door lock pillar.
Gross vehicle weight rating	
Vehicle capacity weight	

<b>ITEM: Engine</b>	
Type	H27A (24V DOHC)
Number of cylinders	6
Bore	88.0 mm (3.46 in.)
Stroke	75.0 mm (2.95 in.)
Piston displacement	2736 cm <sup>3</sup> (167.1 cu.in, 2736 cc)
Compression ratio	9.5 : 1

## SPECIFICATIONS

<b>ITEM: Electrical</b>	
Ignition timing	5° B.T.D.C.
Standard spark plug	DENSO SK20PR11 or NGK <b>IFR6J11</b> (highly recommended)
Battery	12V GP24
Fuses	See "INSPECTION AND MAINTENANCE" and "FUSES AND PROTECTED CIRCUITS" sections

<b>ITEM: Lights</b>			<b>WATTAGE</b>	<b>BULB No.</b>
Headlight	Low beam	Halogen	12V 55W	H7
	High beam		12V 60W	HB3
Front fog light			12V 55W	H11
Turn signal light	front		12V 21W	WY21W
	rear		12V 21W	WY21W
Parking light			12V 5W	WY5W
Brake/tail light			12V 21/5W	7443
License plate light			12V 5W	W5W
Reversing light			12V 21W	7440
High mount stop light			12V 5W	W5W
Door illumination light			12V 5W	—
Dome light	Spot light		12V 8W	—
	Center light		12V 10W	—
	Rear light		12V 10W	—
Luggage compartment light			12V 5W	W5W



<b>ITEM: Wheel</b>		
Tire size, front and rear	P225/70R16, P225/65R17	
Tire pressure	For the specified tire pressure, see the Tire Information Label located on the driver's door lock pillar.	

<b>ITEM: Steering</b>		
Toe-in	front	0 ± 2 mm (0 ± 0.08 in.)
	rear	6 ± 2 mm (0.24 ± 0.08 in.)
Camber angle	front	0° 00'
	rear	-1° 15' ± 30'
Caster angle	front	2° 30'

<b>ITEM: Capacities (approx.)</b>			
Coolant	8.2 L (17.3 US pt)		
Fuel tank	66 L (17.4 US gal)		
Engine oil (replaced with filter)	4.8 L (10.1 US pt)		
Transmission oil	M/T	1.9 L (4.0 US pt)	
	A/T	2.5 L (5.2 US pt) (when drained)	
Differential gear oil	front	0.95 L (2.0 US pt)	
	rear	2WD	0.9 L (1.9 US pt)
		4WD	0.8 L (1.7 US pt)
Transfer gear box oil	with a transfer switch	1.5 L (3.2 US pt)	
	without a transfer switch	1.6 L (3.4 US pt)	
Extension case oil	0.47 L (1.0 US pt)		



# INDEX

## Symbols

“AIR BAG” Light .....4-8  
 “CRUISE” Indicator Light .....4-9  
 “ESP OFF” Indicator Light ..... 4-6, 6-20  
 “ESP OFF” Switch .....4-16  
 “ESP” (Electronic Stability Program) Warning Light .....4-6  
 “ESP” Warning Light .....6-20  
 “PASS AIR BAG OFF” Indicator .....4-14  
 “SET” Indicator Light .....4-9

## Numerics

5-Speed Automatic Transmission .....6-5

## A

A/T Selector Position Indicator .....4-11  
 Accelerator Pedal .....5-2  
 Accessory Socket .....5-16  
 Adding Engine Coolant .....9-17  
 Adjusting Seat Position .....2-18  
 Adjusting Seatbacks .....2-18  
 Air Cleaner .....9-20  
 Air Conditioning System .....9-47  
 Anti-Lock Brake System (ABS) .....6-16  
 Anti-Lock Brake System (ABS) Warning Light .....4-5  
 Anti-Lock Braking System (ABS) .....6-19  
 Armrest .....5-7  
 Assist Grips .....5-10  
 Audio Systems .....4-28  
 Automatic Heating and Air Conditioning System  
 (Climate Control) .....4-21

Automatic Locking Retractor (ALR) ..... 2-22  
 Automatic Transmission Fluid ..... 9-15  
 Auto-On Headlight System ..... 3-6

## B

Basic Operations ..... 4-31  
 Battery ..... 9-35  
 Brake Assist System ..... 6-16  
 Brake Fluid ..... 9-21  
 Brake Pedal .....5-2, 9-22  
 Brake System Warning Light ..... 4-5  
 Brakes ..... 9-21  
 Braking ..... 6-15  
 Break-In ..... 6-25  
 Brightness Control ..... 4-11  
 Bulb Replacement ..... 9-39

## C

Catalytic Converter ..... 6-25  
 Changing Engine Oil and Filter ..... 9-11  
 Changing Wheels ..... 9-30  
 Charging Light ..... 4-7  
 Child Lock System (rear doors) ..... 2-13  
 Child Restraint Systems ..... 2-27  
 Cigarette Lighter and Ashtray ..... 5-17  
 Clock ..... 4-18  
 Clutch Pedal .....5-2, 9-24  
 Coat Hooks ..... 5-11  
 Corrosion Prevention ..... 11-1  
 Cruise Control ..... 3-10

## INDEX

---

Cup Holder and Storage Bin .....	5-14	Fuel Filler Cap .....	5-3
<b>D</b>		Fuel Gauge .....	4-13
Daily Inspection Checklist .....	6-2	Fuel Pump Labeling .....	1-1
Daytime Running Light (D.R.L.) Indicator Light .....	4-10	Fuel Recommendation .....	1-1
Daytime Running Light (D.R.L.) System .....	3-7	Fuse under the Dash Board .....	9-37
Door Locks .....	2-2	Fuses .....	9-36
Drive Belt .....	9-9	<b>FUSES AND PROTECTED CIRCUITS</b> .....	13-1
Driver's Seat Belt Reminder Light .....	4-7	<b>G</b>	
<b>E</b>		Gasoline Containing MTBE .....	1-1
Electronic Stability Program (ESP®) .....	6-18	Gasoline/Ethanol blends .....	1-1
Emergency Locking Retractor (ELR) .....	2-22	Gasoline/Methanol blends .....	1-1
Emission Compliance Label (for U.S.A.) .....	12-2	Gear Oil .....	9-13
Engine Block Heater .....	6-4	Gear Oil Level Check .....	9-14
Engine Coolant .....	9-17	Gear Oil Replacement .....	9-15
Engine Coolant Level Check .....	9-17	Gearshift Lever .....	5-2
Engine Coolant Replacement .....	9-18	<b>GLOSSARY OF TIRE TERMINOLOGY</b> .....	9-32
Engine Hood .....	5-13	Glove Box .....	4-17
Engine Oil and Filter .....	9-9	<b>H</b>	
Engine Serial Number .....	12-1	Hazard Warning Switch .....	4-15
Exhaust Gas Warning .....	6-1	Head Restraints .....	2-19
<b>F</b>		Headlight Aiming .....	9-39
Fluid Level Check .....	9-15	High Beam Indicator Light .....	4-10
Folding Rear Seats .....	5-4	HomeLink® .....	5-25
Folding Seats .....	5-4	Horn .....	3-12
Frame Hooks .....	5-17	<b>I</b>	
Front Air Bags .....	2-39	Identification Numbers .....	12-1
Front Fog Light Switch .....	4-16	If the Engine is Flooded .....	10-5
Front Passenger's Seat Belt Reminder Light .....	4-3	If the Engine Overheats .....	10-5
Front Seat Back Pocket .....	5-19	If the Starter Does Not Operate .....	10-4
Front Seat Heater .....	5-9	If You Can Not Shift Automatic Transmission Gearshift Lever Out of "P" (PARK) .....	10-6
Fuel Consumption and Driving Range .....	4-18		

If Your Vehicle Gets Stuck .....7-4

Ignition Key Reminder .....2-1

Ignition Switch .....3-1

Illumination Indicator Light .....4-10

Important Vehicle Design Features To Know .....7-1

Improving Fuel Economy .....6-26

Information Display .....4-17

Inside Rearview Mirror .....2-16

Installation with Lap-Shoulder Seat Belts  
(Child Restraint with No Top Strap) .....2-29

Installation with the LATCH System .....2-32

Installation-Child Restraint with Top Strap .....2-34

Instrument Cluster .....4-2

Instrument Panel .....4-1

Interior Light Switch .....5-7

**J**

Jacking Instructions .....10-1

Jump Starting Instructions .....10-3

**K**

Keyless Entry System Transmitter (Type B) .....2-10

Keyless Start System Indicator Light .....4-9

Keyless Start System Remote Controller (Type A) .....2-3

Keyless Start System Remote Controller/  
Keyless Entry System Transmitter .....2-3

Keys .....2-1

**L**

Lap-Shoulder Belt .....2-22

Lighting Operation .....3-6

Lighting/Turn Signal Control Lever .....3-5

Lights “On” reminder .....3-7

Listening to a CD .....4-35

Listening to a CD from an External CD Changer  
(Option) ..... 4-46

Listening to a XM Satellite Radio (Option) ..... 4-43

Listening to Audio for AUX (Option) ..... 4-45

Listening to the Radio ..... 4-33

Low Fuel Warning Light ..... 4-8

Low Tire Pressure Warning Light .....4-3, 6-21

Luggage Compartment Cover ..... 5-20

Luggage Compartment Light ..... 5-9

Luggage Restraint Loops ..... 5-19

**M**

Maintenance Recommended under Severe Driving  
Conditions ..... 9-7

Maintenance Schedule ..... 9-2

Malfunction Indicator Light ..... 4-8

Manual Transmission ..... 6-7

Mirrors ..... 2-16

**N**

National Highway Traffic Safety Administration  
(NHTSA) ..... 12-4

**O**

Odometer ..... 4-11

Off-Road Driving ..... 7-4

Oil Level Check ..... 9-10

Oil Pressure Light ..... 4-7

On-Board Vehicle Computers and Event Data  
Recorders ..... 12-3

On-Pavement Driving ..... 7-2

Open Door Warning Light ..... 4-9

Outside Rearview Mirrors ..... 2-17

Overhead Console Box ..... 5-15

# INDEX

---

## P

Parking Brake Lever .....	5-1, 9-23
Pedals .....	5-1
Periodic Maintenance Schedule .....	9-3
Power Assisted Brakes .....	6-16
Power Door Locking System .....	2-2
Power Mirror Control .....	2-17
Power Steering .....	9-24
Power Steering Fluid .....	9-24
Power Window Controls .....	2-14

## R

Radio Antenna .....	4-35
Rear Window Defroster and Outside Rearview Mirrors Defroster Switch .....	4-15
Rear Window Wiper/Washer Switch .....	3-9
Refill with Oil and Check for Leaks .....	9-12
Remote Audio Controls .....	3-12, 4-49
Replace the Oil Filter .....	9-11
Replacing Tires and/or Wheels .....	6-24
Reporting Safety Defects .....	12-4
Roof Rails or Roof Rack Anchors .....	5-23

## S

Safety Certification Label .....	12-2
Seat Adjustment .....	2-17
Seat Belt Extender .....	2-35
Seat Belt Inspection .....	2-27
Seat Belt Pretensioner System .....	2-36
Seat Belt Reminder .....	2-24
Seat Belts and Child Restraint Systems .....	2-20
Selection of Coolant .....	9-17
Shopping Hook .....	5-19

Shoulder anchor height adjuster .....	2-26
Side Air Bags and Side Curtain Air Bags .....	2-40
Side Door Locks .....	2-2
SLIP Indicator Light .....	4-6, 6-19
Snow Tires .....	9-32
Spare Tire Nut Lock .....	2-1
Spark Plugs .....	9-20
SPECIFICATIONS .....	14-1
Specified Fluid .....	9-15
Specified Gear Oil .....	9-13
Specified Oil .....	9-9
Speedometer .....	4-11
Spot Light .....	5-8
Stability Control System .....	6-18
Starting the Engine .....	6-2
Steering Wheel .....	9-23
Sun Visor .....	5-7
Sunroof .....	5-11
Supplemental Restraint System (air bags) .....	2-37
T	
Tachometer .....	4-13
Tailgate .....	2-14
Temperature Gauge .....	4-14
Theft Deterrent Light .....	4-21
Thermometer .....	4-18
Tilt Steering Lock Lever .....	3-10
Tire Chains .....	7-5
Tire Changing Tool .....	5-18
Tire Inflation Pressure .....	9-26
Tire Inspection .....	9-27
Tire Pressure Monitoring System (TPMS) .....	6-21

Tire Rotation .....	9-29	Windshield Washer Fluid .....	9-19
Tire Sidewall Labeling .....	9-24	Windshield Wiper and Washer Lever .....	3-8
Tire Size .....	9-25	Wiper Blades .....	9-44
Tires .....	9-24		
Towing a Disabled Vehicle .....	10-4		
Towing Your Vehicle (recreational towing) .....	8-7		
Traction Control System .....	6-18		
Trailer Towing .....	8-2		
Transfer Position Indicator Light .....	4-10		
Transfer Switch .....	4-17		
Tripmeter .....	4-11		
Troubleshooting .....	4-53		
Turn Signal Indicators .....	4-9		
Turn Signal Operation .....	3-7		
<b>U</b>			
Underfloor Bins .....	5-23		
Uniform Tire Quality Grading .....	9-28		
Using the Transfer Switch .....	6-7		
Using the Transmission .....	6-5		
<b>V</b>			
Vehicle Cleaning .....	11-3		
Vehicle Identification Number .....	12-1		
Vehicle Loading .....	8-1, 9-33		
Vehicle With Keyless Start System .....	3-2, 6-3		
Vehicle Without Keyless Start System .....	3-1		
<b>W</b>			
Warning and Indicator Lights .....	4-3		
Warranties .....	12-2		
Washing .....	11-4		
Waxing .....	11-4		
Windows .....	2-14		





Prepared by  
**SUZUKI MOTOR CORPORATION**

June, 2007

Part No. 99011-66J22-03E

Printed in Japan

TP286

## SERVICE STATION INFORMATION

### Fuel recommendation:

See page 1-1

### Engine oil recommendation:

Engine oil with “Starburst” symbol

For further details, see “Engine Oil and Filter” in the “INSPECTION AND MAINTENANCE” section.

### Brake and clutch fluid:

DOT3

### Automatic transmission fluid:

SUZUKI ATF 3317 or Mobil ATF 3309

### Tire cold pressure:

See the “Tire Information Label” located on the driver’s door lock pillar.



Made from 100% recycled paper,  
except for cover.



99011-66J22-03E