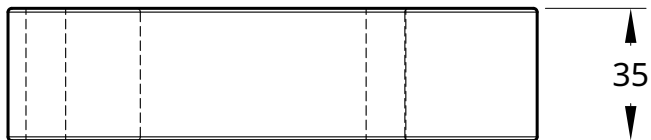
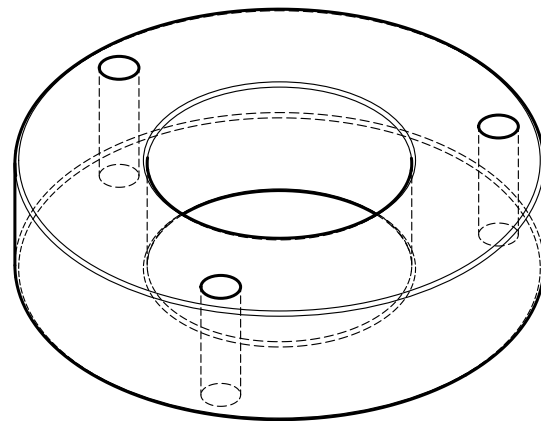


2

1



35



Ø10.5

Ø140

Ø67

51.96

103.92

60

90

B

B

A

A

UNLESS OTHERWISE SPECIFIED, DIMENSIONS ARE IN MILLIMETERS

ANGULAR = ± °

SURFACE FINISH

DO NOT SCALE DRAWING

BREAK ALL SHARP EDGES AND REMOVE BURRS

THIRD ANGLE PROJECTION



	NAME	DATE
DRAWN	YURI SURZ	09/04/2018
CHECKED		
APPROVED	---	---
MATERIAL	FINISH	

TITLE		

SIZE	DWG NO.	REV.
A	----	-
SCALE	WEIGHT	SHEET
1:2		1 of 1

2

1