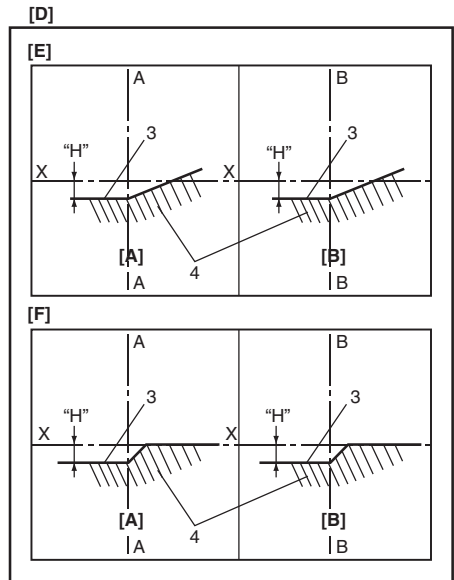
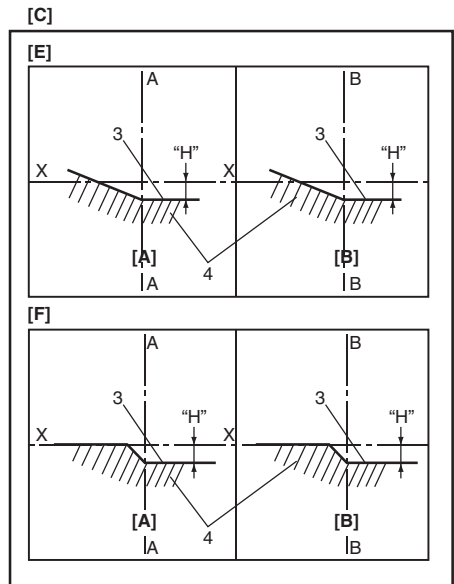
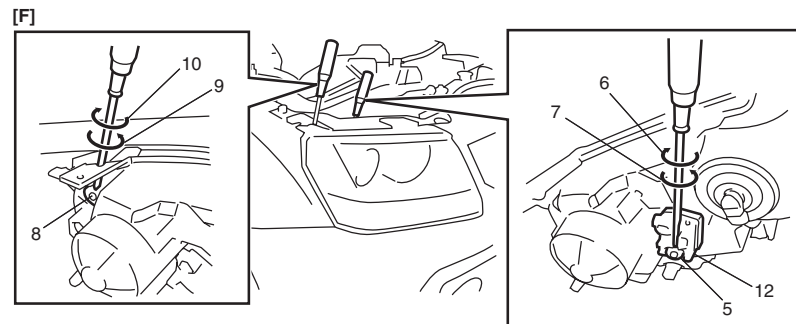
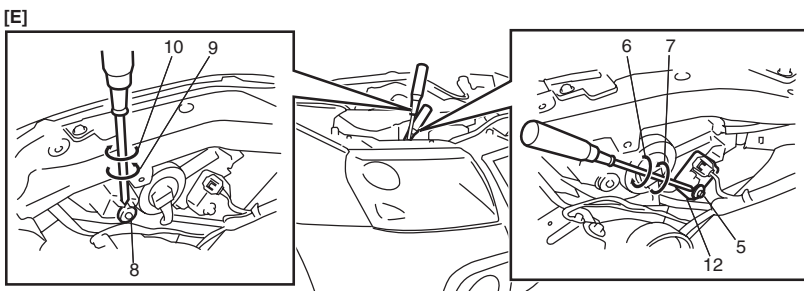
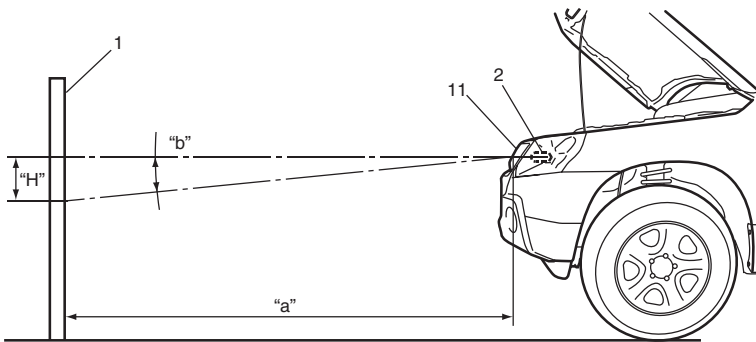


9B-21 Lighting Systems:



I5JB0A920022-04

2. Headlight bulb	9. Turning (for right adjustment)	[A]: Left headlight
3. Cut line (bounding line)	10. Turning (for left adjustment)	[B]: Right headlight
4. Hot spot	11. Headlight housing	[C]: RH steering vehicle shown
5. Aiming gear (for up / down adjustment)	12. Headlight leveling actuator	[D]: LH steering vehicle shown
6. Turning (for up adjustment)	X-X: Horizontal center line of headlight bulbs	[E]: 3 door model
7. Turning (for down adjustment)	A-A: Vertical center line of left headlight bulb	[F]: 5 door model
8. Aiming gear (for right / left adjustment)	B-B: Vertical center line of right headlight bulb	