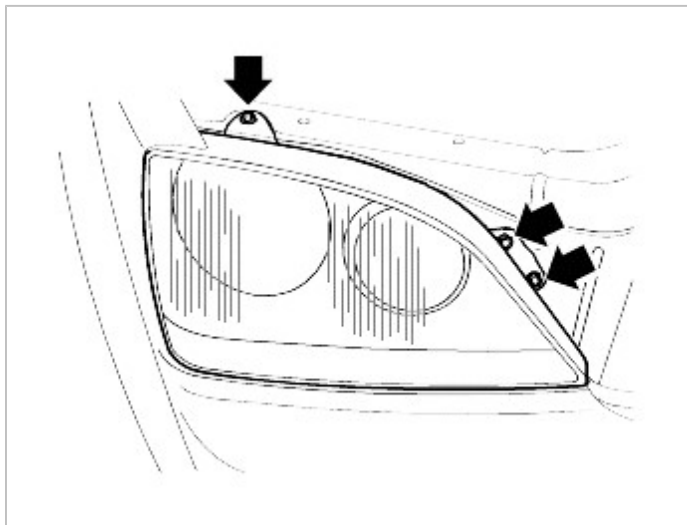


## REMOVAL AND INSTALLATION

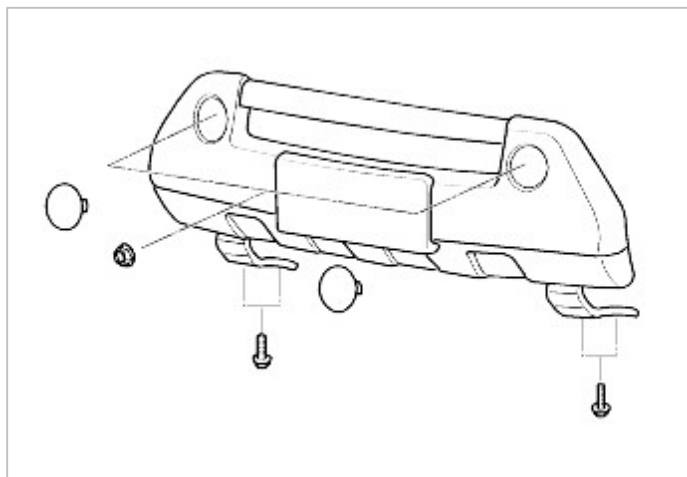
### 1. Remove headlight/combination light.

(1) Remove headlight/combination light bolts (3).



(2) Remove headlight/combination light bulb and socket.

### 2. Remove bumper guard.

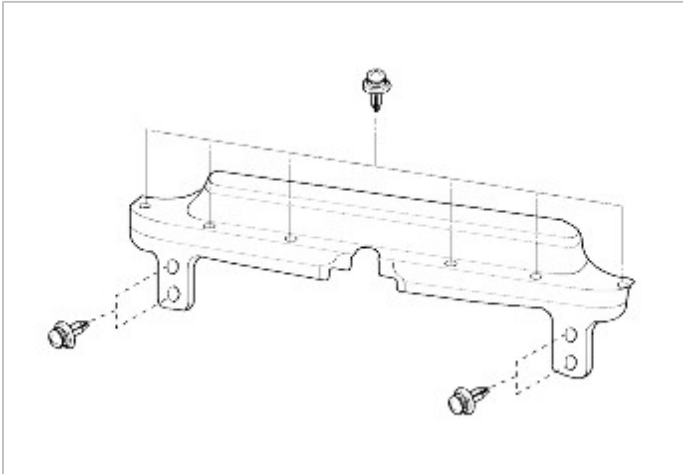


(1) Remove bumper guard nuts (2) and bolts (4).

(2) Remove bumper guard.

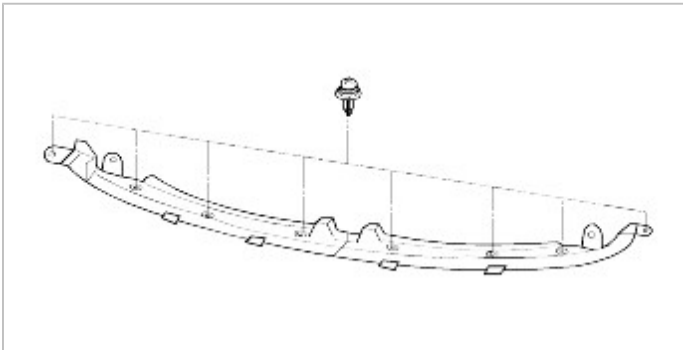
### 3. Remove bumper seal board.

(1) Remove bumper seal board fasteners (10).



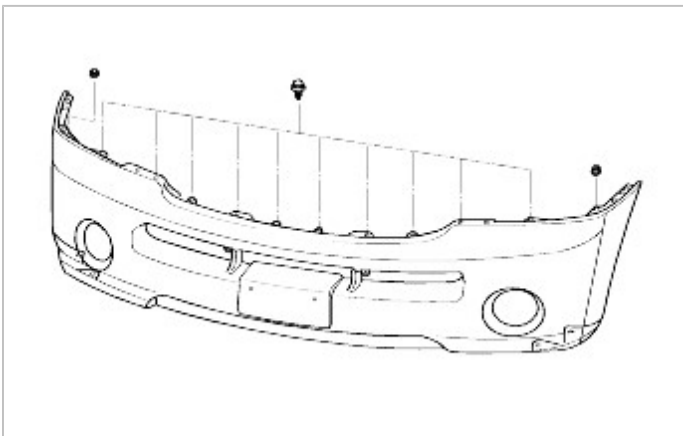
4. Remove bumper upper cover.

- (1) Remove headlight washer nozzle cover.
- (2) Remove bumper upper cover fasteners (8).

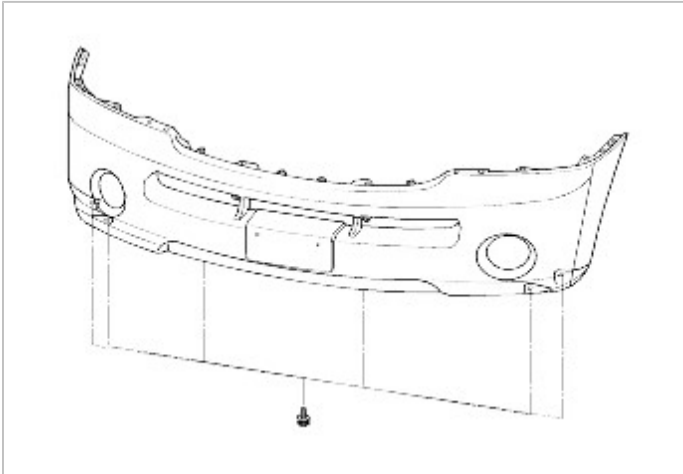


5. Remove bumper face.

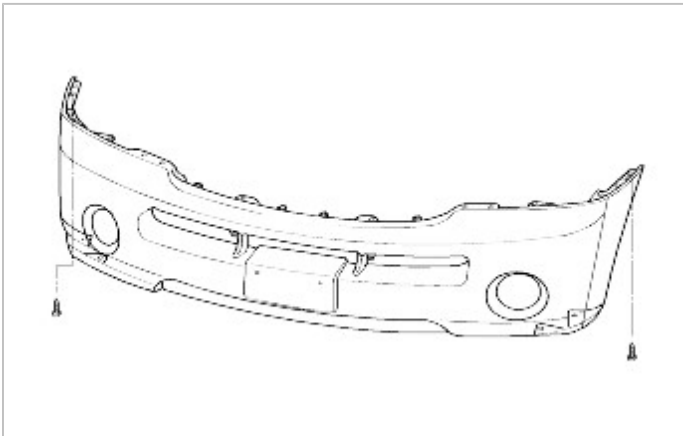
- (1) Remove bumper face fasteners (10) and nuts (2) from top of bumper face.



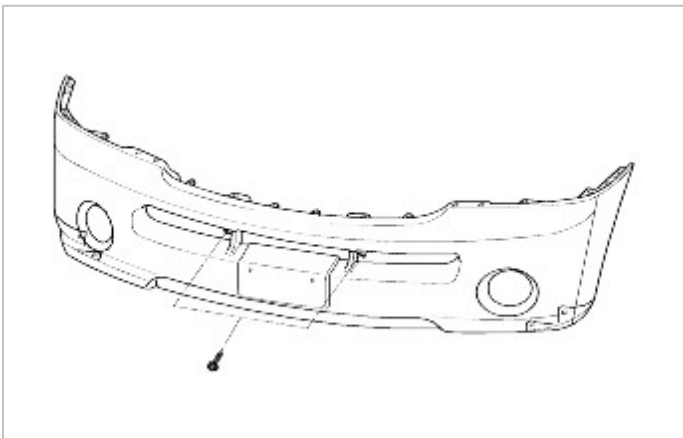
- (2) Remove bumper face fasteners (6) from bottom of bumper face.



(3) Remove bumper face screws (2) from side of bumper face.



(4) Remove bumper mounting bolt (2) from front of bumper face.



(5) Disconnect electrical connector and then remove bumper face.

6. Install in reverse order of removal.