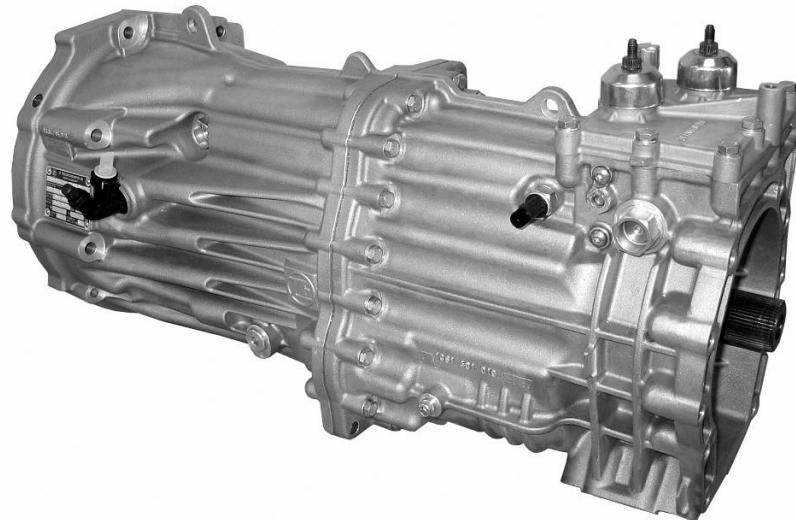


# 6 S 450 P ZF-Ecolite (Pickup)

6-speed synchromesh transmission for light Pickups



<b>Transmission type</b>	<b>6 S 450 P</b>
<b>Input torque</b>	max. 450 Nm
<b>Weight</b> without auxiliaries	≈ 62.7 kg*
<b>Oil capacity</b> for standard installation	≈ 2.2 dm <sup>3</sup>
<b>Oil grade</b>	as specified in ZF List of Lubricants TE-ML 02 as specified by vehicle manufacturer
<b>Installation</b>	vertical with shifting output for LHD or RHD vehicles
<b>Center distance</b>	85 mm

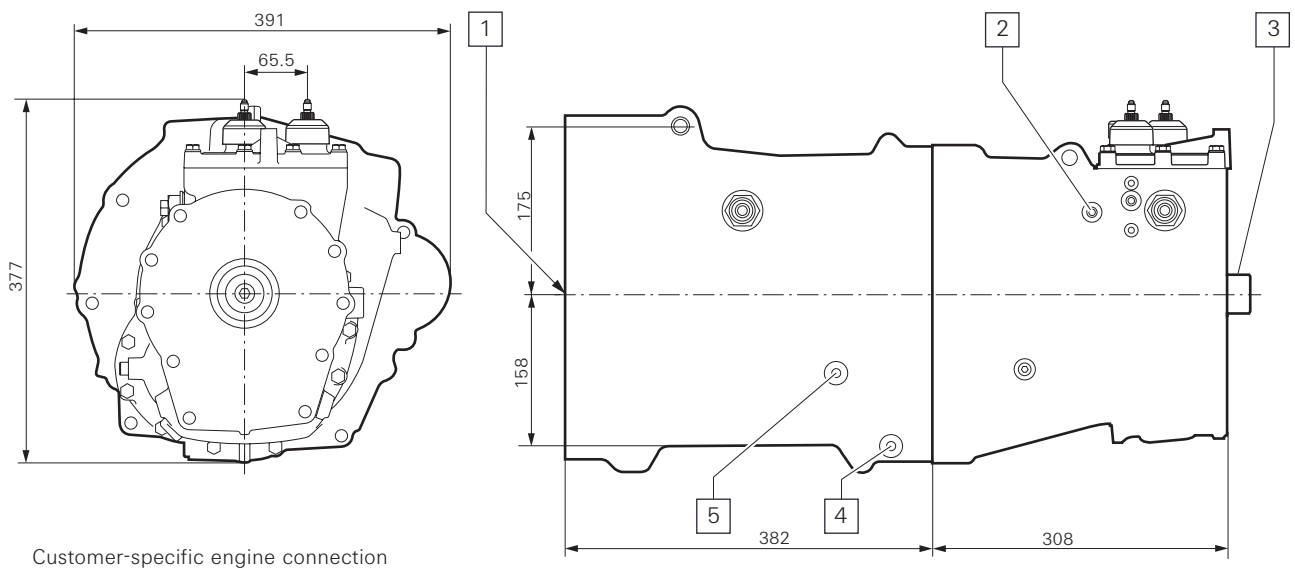
\* incl. oil and CSC (concentric slave cylinder)

## Standard ratios in gear

1	2	3	4	5	6	R
4.815	2.538	1.493	1.000	0.757	0.635	4.367

# 6 S 450 P

## Installation dimensions



Customer-specific engine connection

- |  |  |
|--|--|
| <ul style="list-style-type: none"> <li><span style="border: 1px solid black; padding: 2px;">1</span> Input</li> <li><span style="border: 1px solid black; padding: 2px;">2</span> "Reverse gear" signal transmitter</li> <li><span style="border: 1px solid black; padding: 2px;">3</span> Output</li> </ul> | <ul style="list-style-type: none"> <li><span style="border: 1px solid black; padding: 2px;">4</span> Oil drain</li> <li><span style="border: 1px solid black; padding: 2px;">5</span> Oil fill and oil overflow check</li> </ul> |
|--|--|