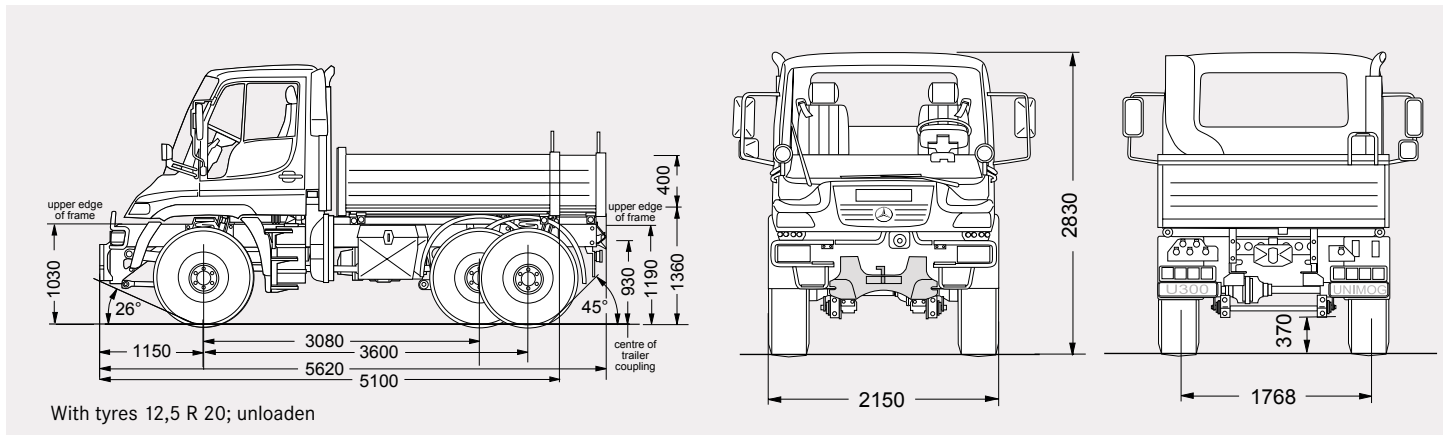


# Unimog U 300

## Technical Data



With tyres 12,5 R 20; unladen

### Engine:

- Emission class Euro 3
- Type (LA = turbocharger with intercooler) OM 904 LA
- No. and arrangement of cylinders (upright inline) 4
- Working method: Diesel-direct injection
- turbo charged/intercharged 4 -stroke
- Power output kW/(hp)
 

	Standard	Optional
	110/(150)	130/(177)
- Max. torque Nm 580 | 675
- At rated speed rpm 2 200
- Total displacement cm<sup>3</sup> 4 249
- Coolant – water Hydrostatic fan
- Exhaust brake 2-step for head cylinder valve and throttle valve in exhaust stream
- Compressor
- Fuel tank liters 145

### Transmissions:

- MB-All synchromesh reversing transmission, 8 gears forward and 6 gears reverse, single-disc dry clutch
- Permanent all-wheel drive with lockable interaxle differential
- Telligent® shifting (Elec.-Pneumatic Shifting/EPS)
- Cruise control/Speed limiter

### Axles:

- Portal axles, i = 6,53; helical springs, telescopic shock absorbers, stabilizers on front and rear axle
- Differential locks on rear axle, engageable elec. pneumatically while in motion
- Helical springs with progressive characteristic line

### Frame:

Straight ladder shaped frame with transverse bolted u-channel and welded transverse tubular cross member, rigid design

### Brake:

- Dual circuit brake system, high pressure, spring loaded parking brake
- Antilock Brake System (ABS)
- Autom. Load responsive Brake system (ALB)
- Compressed air connection for aux. use
- Tire inflation connection
- Disc brakes on both axles

### Steering:

Hydraulic power steering; type: LS 6

### Electrical System:

#### 24 Volt

- Alternator 2 240 W, 28 V, 80 A
- Starter output 4 kW
- Battery 2 x 12 V / 115 Ah
- Trailer socket rear 15-pin

### Cab:

- Type: Multi-shelled cab made of fiber compounded materials. Built on steel frame, which is mounted, shock absorbingly, to the chassis.
- Doors: 2 side doors made of fiber compounded materials with integrated arm-rests, storage compartments and bottle holders. 2 deep view panorama windows and manual windows.
- Glazing: Front windshield made of laminated glass, deep windows for optimal view onto front implements. Large rear window for excellent visibility onto the rear mounting areas.
- Driver's seat: Contoured seat with head rest, height, reach, tilt and seat back adjustable. Integrated 3-point safety belt. Storage for personal items behind driver's seat.

- Passenger's seat: Same as driver's seat, with integrated 3-point-safety belt and head rest. Diagnostic plug behind passenger seat.
- Rear view mirrors: 2 foldable, electrically adjustable and heatable exterior rear view mirrors.
- Storage possibilities: Storage box on rear cab wall under dashboard, right.
- Heating and A/C: 3-setting blower fan, A/C (standard), dust-free ventilation, air recycling.

### Instruments:

- Elec. controls located in centre console
- Adjustable dash board illumination
- Multi-combination lever
  - steering column, right: hand throttle, cruise control, speed limiter and exhaust brake
  - steering column, left: headlight beams, blinker, windshild wash/wipers, horn
- Large instrument panel LCD-displays, driver information system

### Tyres:

4 tyres, 12,5R20, LI 132 J, all-purpose, rim 22,5 x 9,00

### Weights

Basic execution:		
Gross vehicle weight	kg	7.500
Permissible front axle loads	kg	4.600
Permissible rear axle loads	kg	4.600
Maximum permissible loads with implements or permanent mountings:		
Gross vehicle weight	kg	10.200
Permissible front axle loads	kg	5.100
Permissible rear axle loads	kg	5.500



Mercedes-Benz