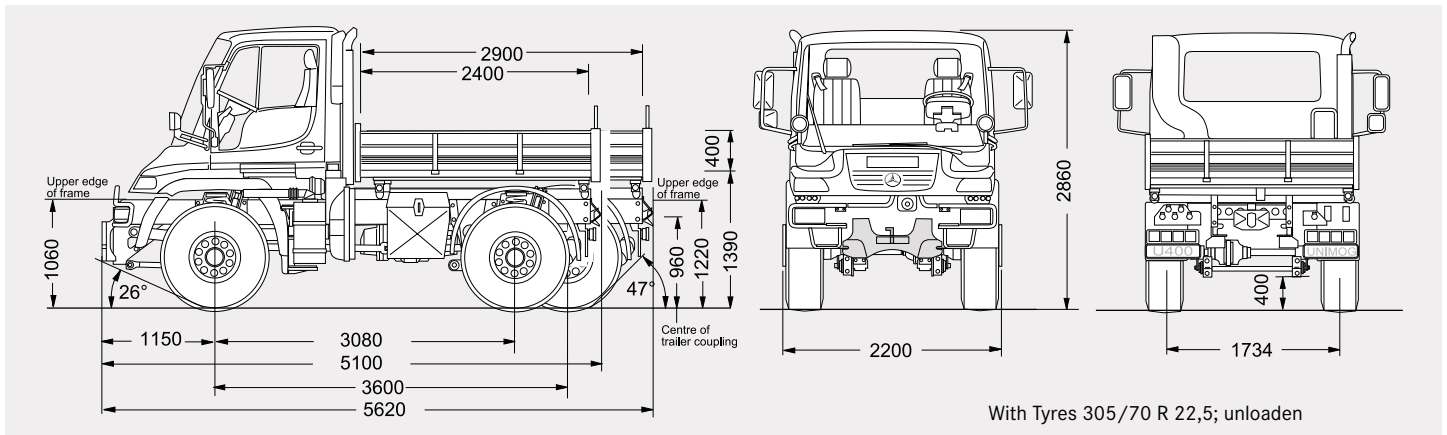


Unimog U 400

Technical Data



Engine

• Emission class		Euro 3
• Type (LA = turbocharger with intercooler)		OM 904 LA
• No. and arrangement of cylinders (upright inline)		4
• Working method:		
Diesel-direct injection		
turbo charged/intercharged		4 -stroke
• Power output	Standard	Optional
kW/(hp)	130/(177)	170/(231)
• Max. torque	Nm	675 810
• At rated speed	rpm	2 200
• Total displacement	cm ³	4 249
• Coolant – water		Hydrostatic fan
with thermostat		
• Exhaust brake		2-step for head cylinder valve and throttle valve in exhaust stream
• Compressor		
• Fuel tank	liters	200

Transmissions

MB-All synchromesh reversing transmission, 8 gears forward and 6 gears reverse, single-disc dry clutch

- Permanent all-wheel drive with lockable interaxle differential
- Telligent® shifting (Elec.-Pneumatic Shifting/EPS)
- Cruise control/Speed limiter

Axles:

- Portal axles, i = 6,38; helical springs, telescopic shock absorbers, stabilizers on front and rear axle
- Differential locks on rear axle, engageable elec. pneumatically while in motion
- Helical springs with progressive characteristic line

Frame

Straight ladder shaped frame with transverse bolted u-channel and welded transverse tubular cross member, rigid design

Brake:

Dual circuit brake system, high pressure, spring loaded parking brake

- Antilock Brake System (ABS)
- Autom. Load responsive Brake system (ALB)
- Compressed air connection for aux. use
- Tire inflation connection
- Disc brakes on both axles

Steering

Hydraulic power steering; type: LS 6

Electrical System:

24 Volt

- Alternator
 - Starter output
 - Battery
 - Trailer socket rear
- 2 240 W, 28 V, 80 A
4 kW
2 x 12 V/115 Ah
15-pin

Cab

Type: Multi-shelled cab made of fiber compounded materials. Built on steel frame, which is mounted, shock absorbingly, to the chassis.

Doors: 2 side doors made of fiber compounded materials with integrated arm-rests, storage compartments and bottle holders. 2 deep view panorama windows and manual windows.

Glazing: Front windshield made of laminated glass, deep windows for optimal view onto front implements. Large rear window for excellent visibility onto the rear mounting areas.

Driver's seat: Contoured seat with head rest, height, reach, tilt and seat back adjustable. Integrated 3-point safety belt. Storage for personal items behind driver's seat.

Passenger's seat: Same as driver's seat, with integrated 3-point-safety belt and head rest. Diagnostic plug behind passenger seat.

Rear view mirrors: 2 foldable, electrically adjustable and heatable exterior rear view mirrors.

Storage possibilities: Storage box on rear cab wall under dashboard, right.

Heating and A/C: 3-setting blower fan, A/C (standard), dust-free ventilation, air recycling.

Instruments:

- Elec. controls located in centre console
- Adjustable dash board illumination
- Multi-combination lever
 - steering column, right: hand throttle, cruise control, speed limiter and exhaust brake
 - steering column, left: headlight beams, blinker, windshield wash/wipers, horn
- Large instrument panel LCD-displays, driver information system

Tyres:

4 tyres, 305/70 R22,5, LI 152 L, all-purpose, rim 22,5 x 9,00

Weights:

Basic execution:		
Gross vehicle weight	kg	11.990
Permissible front axle loads	kg	6.700
Permissible rear axle loads	kg	7.000
Maximum permissible loads with implements or permanent mountings:		
Gross vehicle weight	kg	12.500
Permissible front axle loads	kg	6.700
Permissible rear axle loads	kg	7.000



Mercedes-Benz