
INTERIOR

INTERIOR

CONTENTS

SPECIAL TOOL	3	SEAT	12
INSTRUMENT PANEL*	3	Front Seat*	12
FLOOR CONSOLE	7	Rear Seat	15
TRIMS	9	SEAT BELT	17
INSIDE REAR VIEW MIRROR	11	Front Seat Belt	17
HEADLINING	11	Rear Seat Belt	18

WARNINGS REGARDING SERVICING OF SUPPLEMENTAL RESTRAINT SYSTEM (SRS) EQUIPPED VEHICLES

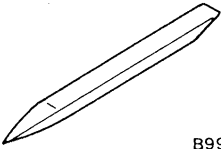
WARNING!

- (1) Improper service or maintenance of any component of the SRS, or any SRS-related component, can lead to personal injury or death to service personnel (from inadvertent firing of the air bag) or to the driver and passenger (from rendering the SRS inoperative).
- (2) Service or maintenance of any SRS component or SRS-related component must be performed only at an authorized MITSUBISHI dealer.
- (3) MITSUBISHI dealer personnel must thoroughly review this manual, and especially its GROUP 52B – Supplemental Restraint System (SRS) before beginning any service or maintenance of any component of the SRS or any SRS-related component.

NOTE

The SRS includes the following components: SRS-ECU, SRS warning lamp, air bag module, clock spring, side impact sensors and interconnecting wiring. Other SRS-related components (that may have to be removed/installed in connection with SRS service or maintenance) are indicated in the table of contents by an asterisk (*).

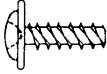
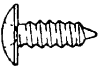

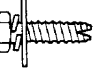

SPECIAL TOOL

Tool	Number	Name	Use
 B990784	MB990784	Ornament remover	Removal of switch, trim, etc.

INSTRUMENT PANEL

REMOVAL AND INSTALLATION

For installation of the instrument panel, the bolts and screws described below are used. They are indicated by symbols in the illustration.

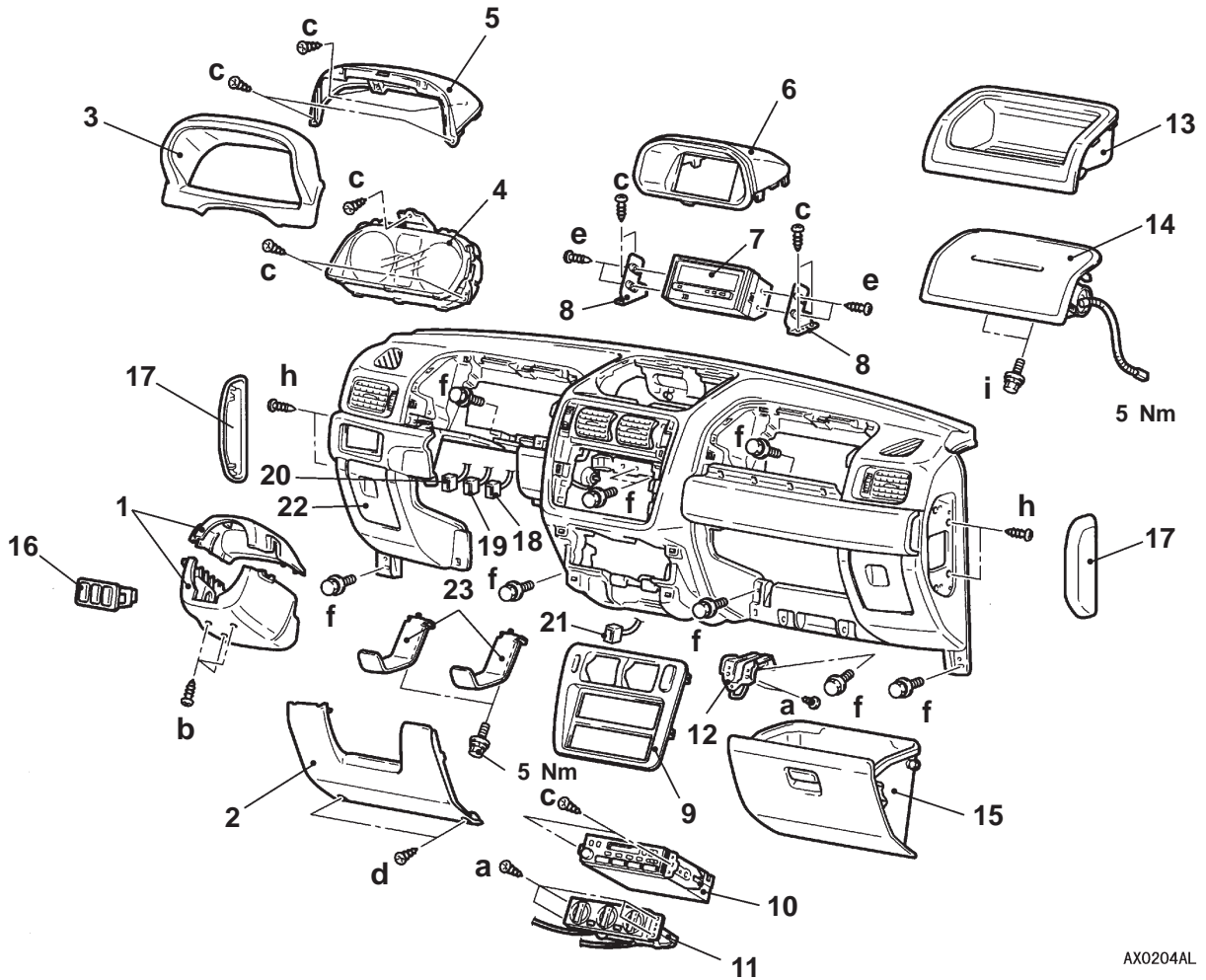
Name	Symbol	Size mm (D × L)	Colour	Shape
Tapping screw	a	5 × 12	–	 19Z0022
	b	5 × 20	–	
	c	5 × 16	–	 19Z0004
	d	5 × 16	Black	
Washer-assembled screw	e	5 × 10	–	 19Z0007
Washer-assembled bolt	f	6 × 16	–	 19Z0005
	g	8 × 20	–	
	h	5 × 12	–	 19Z0010
	i	6 × 16	–	

D = Thread diameter
 L = Effective thread length

Caution: SRS

1. For the passenger side air bag module removal/installation, always observe the service procedures of GROUP 52B – Air Bag Module.
2. Do not subject the SRS-ECU to any shocks when removing or installing the instrument panel.

Pre-removal and Post-installation Operation
Steering Column Mounting Bolt Removal and Installation

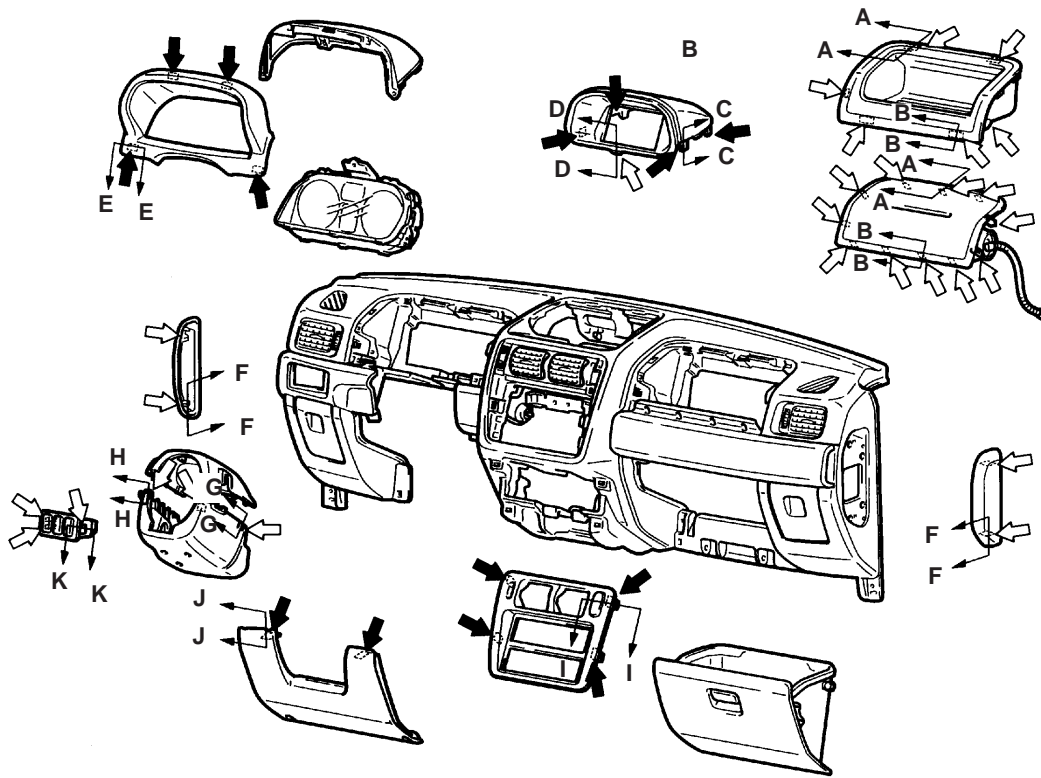


AX0204AL

Removal steps

- | | |
|-------------------------------------------------------------------------------------------------------------------------------------------------------------------------------------------------------------------------------------------------------------------------------------------------------------------------------------------------------------------------------------------------------------------------------------------------------------------------------------------------------------------------------------------------------------------------------------------------------------------------------|---------------------------------------------------------------------------------------------------------------------------------------------------------------------------------------------------------------------------------------------------------------------------------------------------------------------------------------------------------------------------------------------------------------------------------------------------------------------------------------------------------------------------------------------------------------------------------------------------------------------------------------------------------------------------------------------------|
| <ol style="list-style-type: none"> 1. Column cover 2. Under cover 3. Meter hood B 4. Combination meter 5. Meter hood A 6. Multi-center display hood 7. Multi-center display 8. Multi-display bracket 9. Center panel 10. Radio and tape player 11. Heater control assembly or automatic A/C control panel assembly 12. Glove box striker 13. Instrument tray <Vehicles without front air bag module> 14. Passenger's side air bag module <Vehicles with front air bag module> | <ol style="list-style-type: none"> 15. Glove box 16. Switch panel assembly <Vehicles with fog lamp> 17. Instrument panel side cover <ul style="list-style-type: none"> ● Scuff plate (Refer to P.52A-9.) ● Cowl side trim (Refer to P.52A-9.) ● Floor console (Refer to P.52A-7.) ● Front pillar trim (Refer to P.52A-9.) 18. Rheostat connector 19. Leveling switch connector 20. Fog lamp switch connector <Vehicles with fog lamp> 21. Hazard lamp switch connector 22. Instrument panel assembly 23. Knee protector bracket |
|-------------------------------------------------------------------------------------------------------------------------------------------------------------------------------------------------------------------------------------------------------------------------------------------------------------------------------------------------------------------------------------------------------------------------------------------------------------------------------------------------------------------------------------------------------------------------------------------------------------------------------|---------------------------------------------------------------------------------------------------------------------------------------------------------------------------------------------------------------------------------------------------------------------------------------------------------------------------------------------------------------------------------------------------------------------------------------------------------------------------------------------------------------------------------------------------------------------------------------------------------------------------------------------------------------------------------------------------|

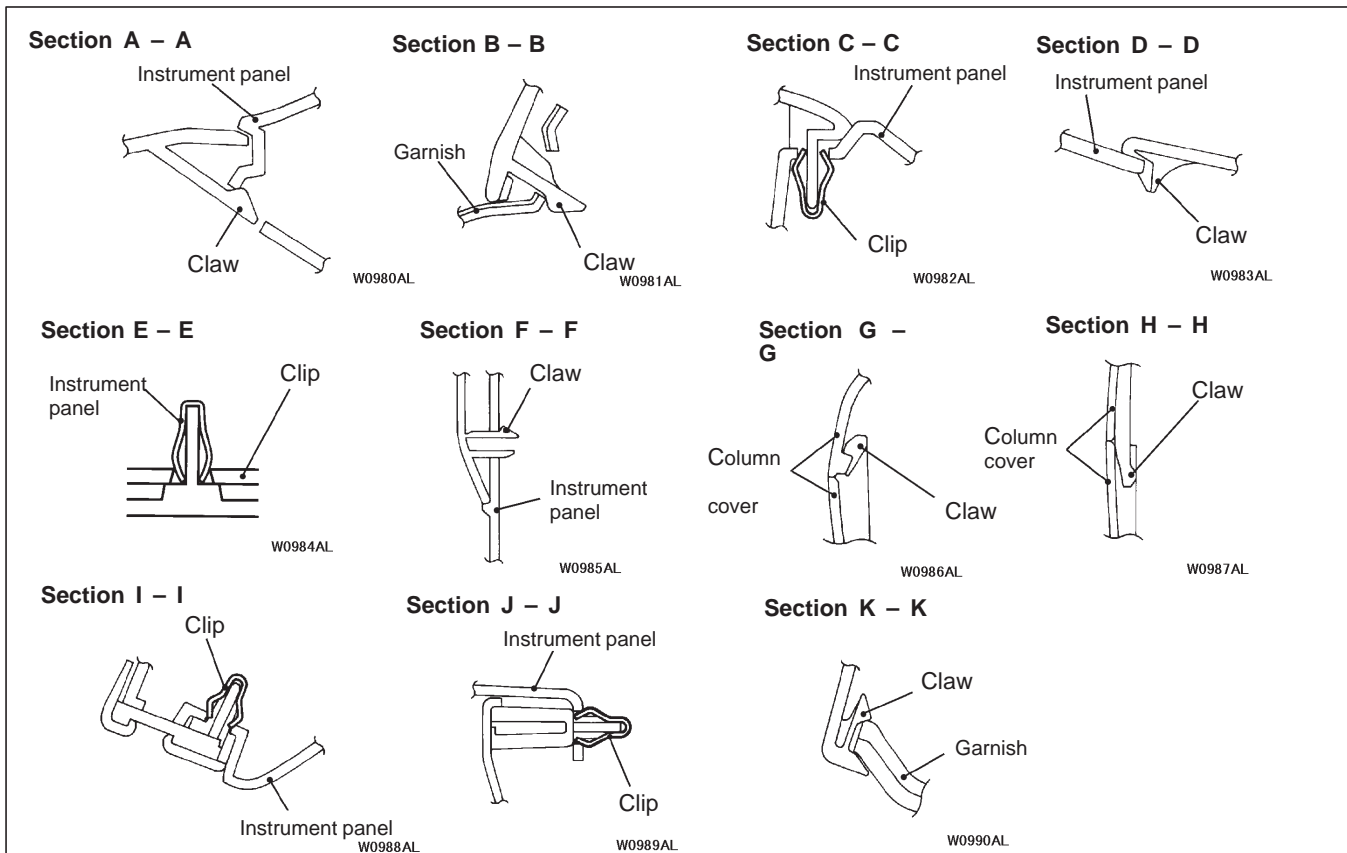
CLIP AND CLAW POSITIONS



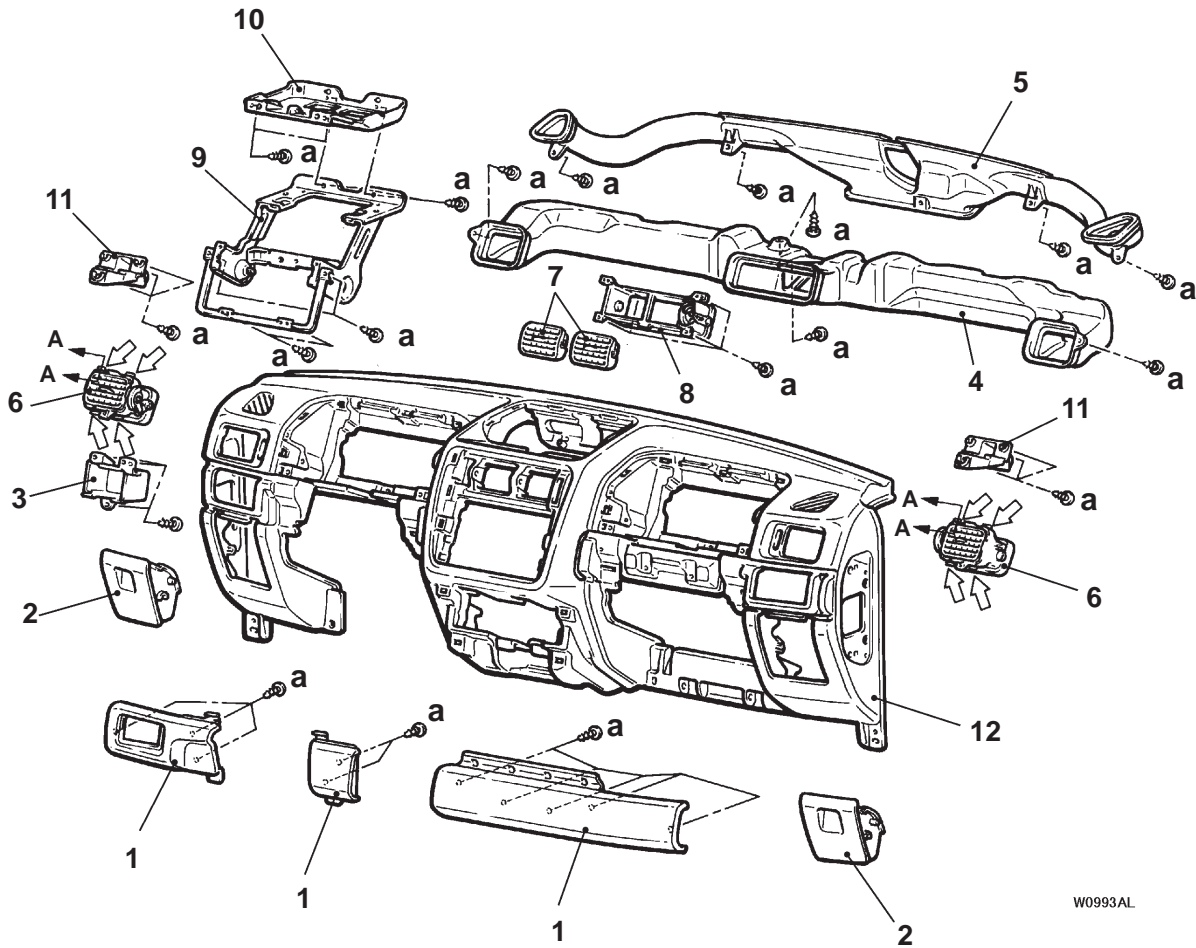
NOTE

- ← : Clip positions
- ⇄ : Claw positions

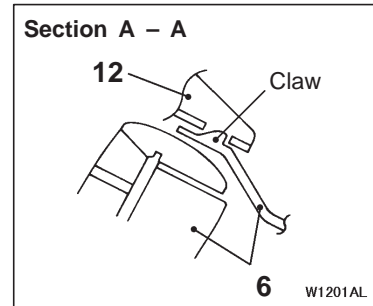
AX0205AL



DISASSEMBLY AND REASSEMBLY



W0993AL



NOTE

↔ : Claw positions

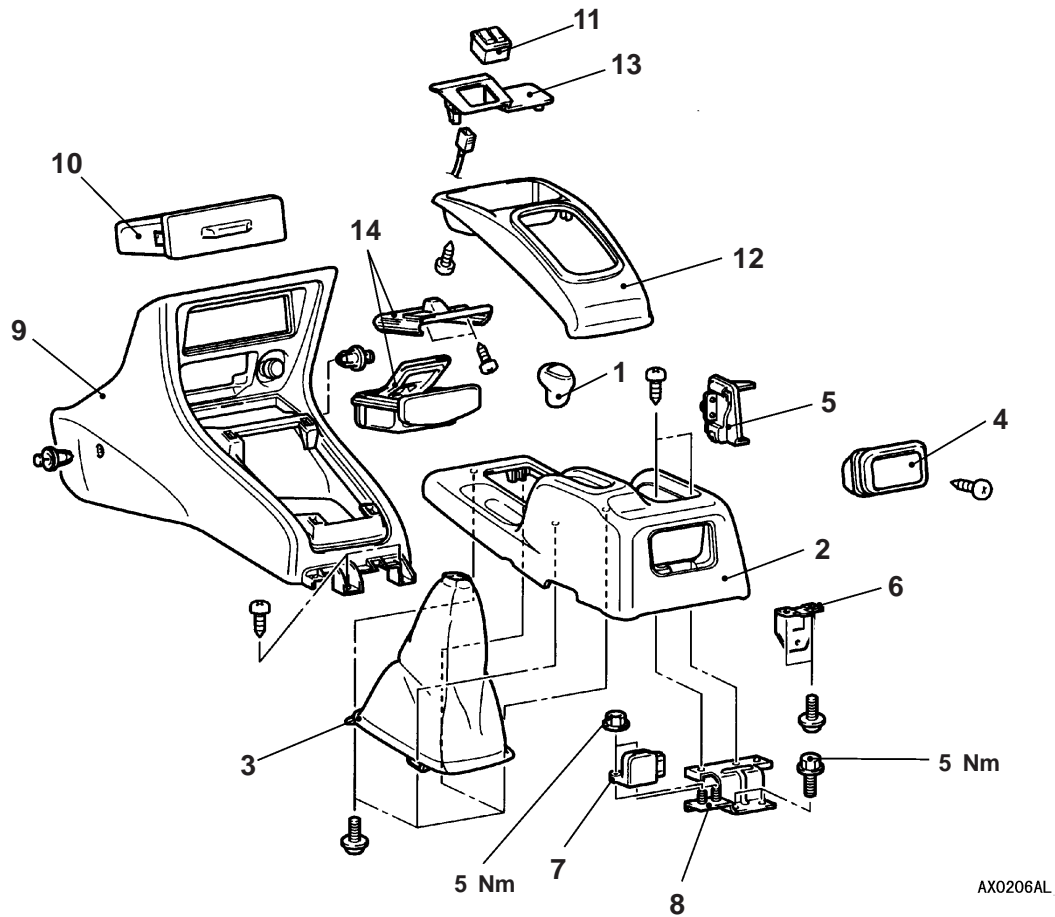
Disassembly steps

1. Garnish
2. Parcel box
3. Connector holder
4. Distribution duct
5. Defroster duct
6. Side air outlet assembly
7. Center air outlet

8. Center air outlet case
9. Instrument panel reinforcement
10. Center support panel
11. Instrument panel side support bracket
12. Instrument panel

FLOOR CONSOLE

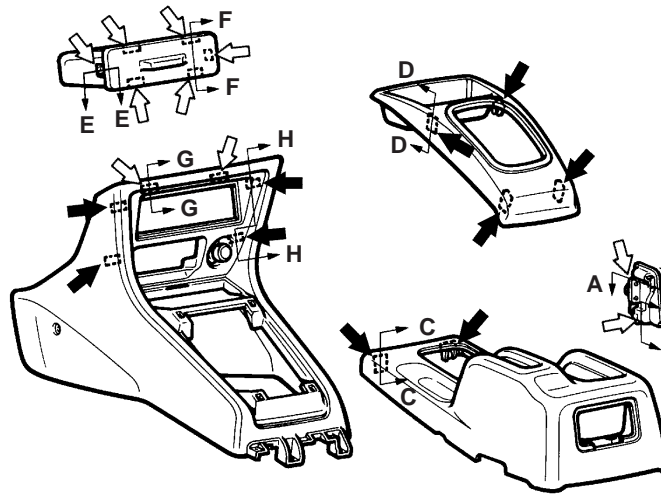
REMOVAL AND INSTALLATION



Removal steps

- | | |
|-------------------------------------------------------------------------------------------------------------------------------------------------------------------------------------------------------------------------------------------------------------------------------------------------------------------------------------------------------|----------------------------------------------------------------------------------------------------------------------------------------------------------------------------------------------------------------------------------------------------------------------------------------------------------|
| <ol style="list-style-type: none"> 1. Selector nob <M/T> 2. Rear floor console 3. Transfer lever cover <M/T> 4. Rear ashtray assembly 5. Holder 6. Ashtray bracket 7. G sensor <Vehicles with ABS> 8. Floor console bracket <Vehicles with ABS> | <ol style="list-style-type: none"> 9. Front floor console 10. Box with lid 11. Heated seat switch <Vehicles with heated seat> 12. A/T panel or M/T panel 13. Switch panel <Vehicles with heated seat> 14. Front ashtray assembly |
|-------------------------------------------------------------------------------------------------------------------------------------------------------------------------------------------------------------------------------------------------------------------------------------------------------------------------------------------------------|----------------------------------------------------------------------------------------------------------------------------------------------------------------------------------------------------------------------------------------------------------------------------------------------------------|

CLIP AND CLAW POSITIONS



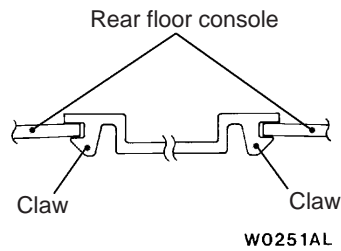
W0250AL

NOTE

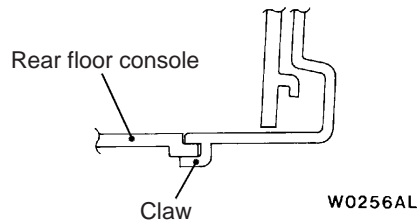
← : Clip positions

⇄ : Claw positions

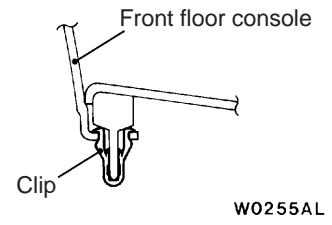
Section A – A



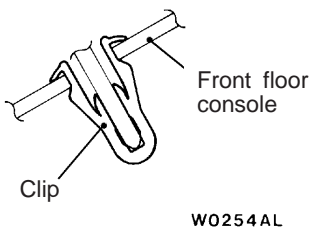
Section B – B



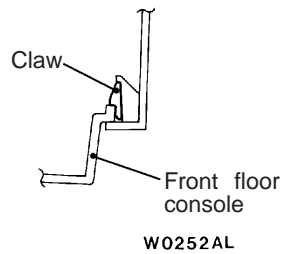
Section C – C



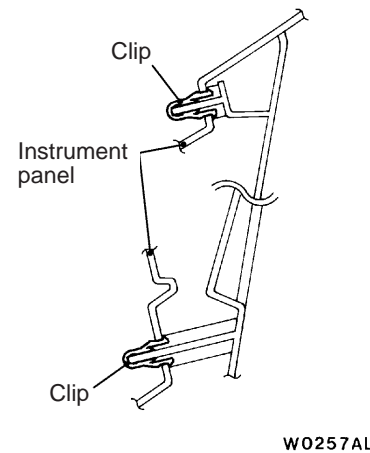
Section D – D



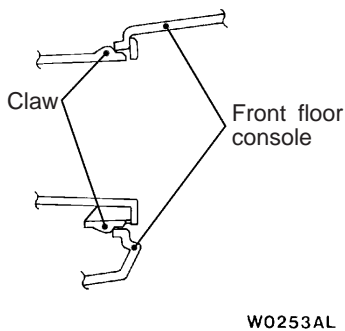
Section E – E



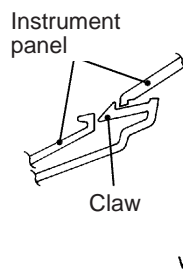
Section H – H



Section F – F



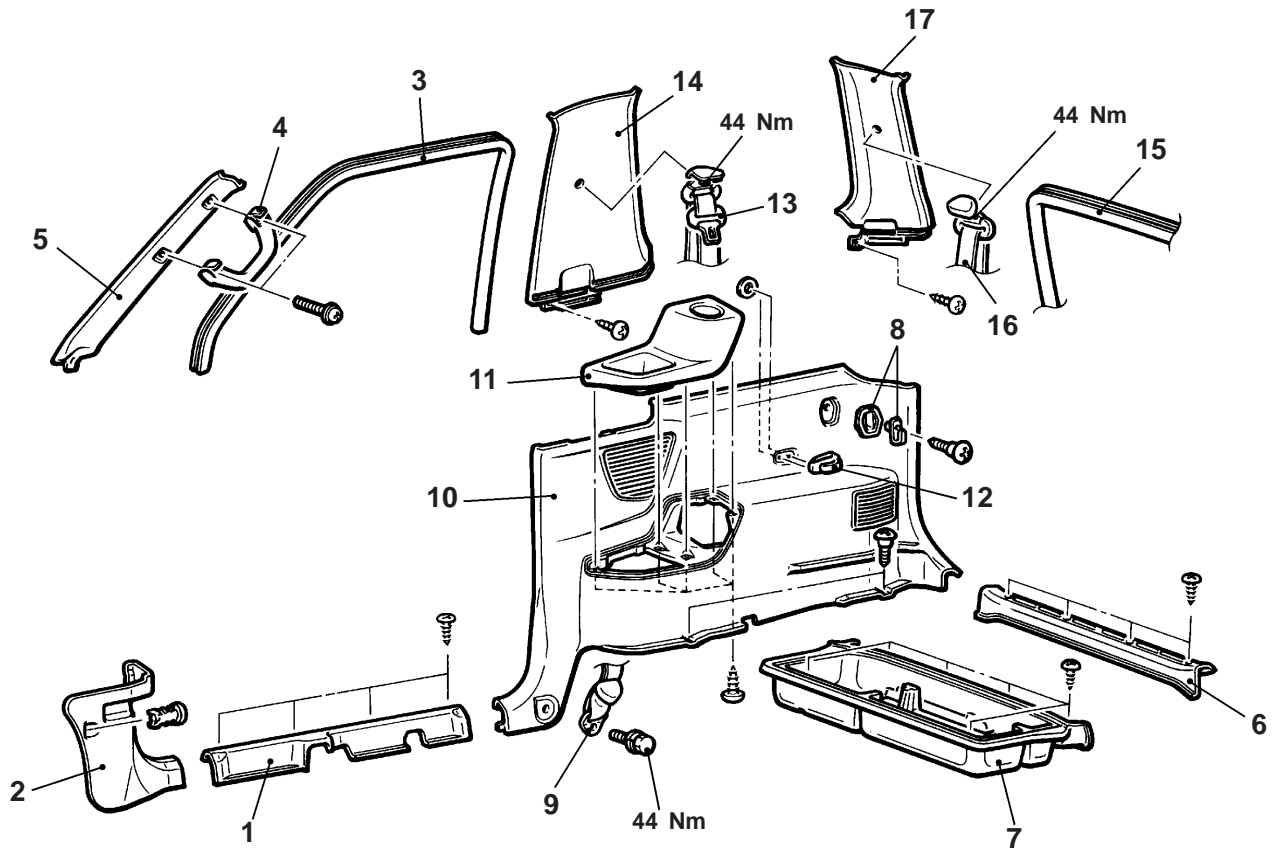
Section G – G



00008903

TRIMS

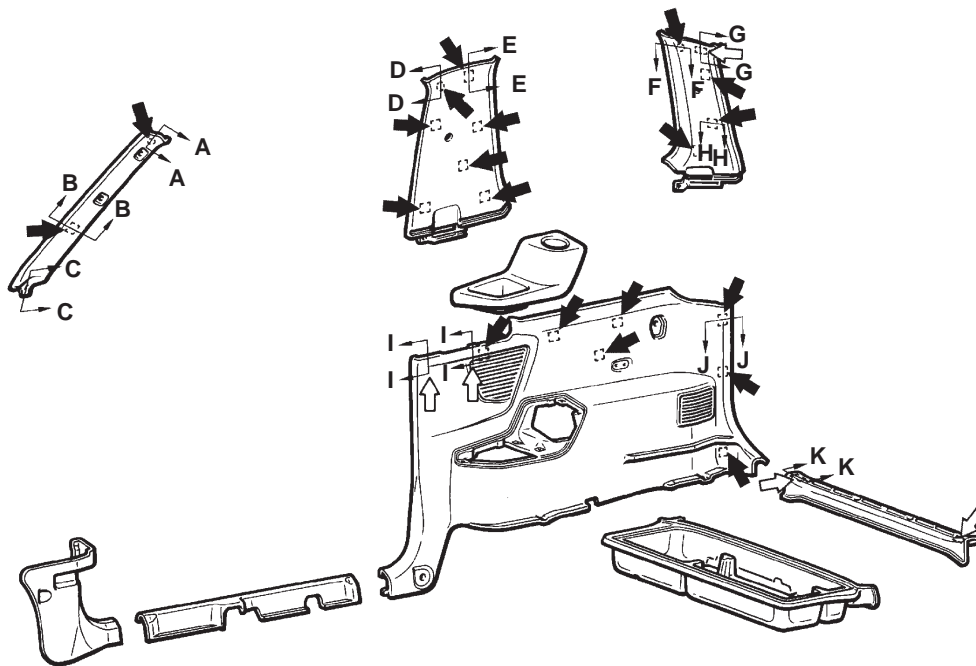
REMOVAL AND INSTALLATION



AW0137AL

- | | |
|-------------------------------------------------------------------------------------------------------------------------------------------------------------------------------------------------------------------------------------------------------------------------------------------------------------------------------------------------------------|---------------------------------------------------------------------------------------------------------------------------------------------------------------------------------------------------------------------------------------------------------------------------------------------------------------------------------------------------------------------|
| <ul style="list-style-type: none"> 1. Scuff plate 2. Cowl side trim 3. Front door opening trim 4. Assist grip 5. Front pillar trim 6. Rear step plate
<Vehicles without luggage floor box> ● Rear seat
(Refer to P.52A-15.) 7. Luggage floor box <Option> | <ul style="list-style-type: none"> 8. Luggage room hook 9. Front seat belt connection 10. Quarter trim 11. Quarter box 12. Hook 13. Front seat belt connection 14. Center pillar trim 15. Rear door opening trim 16. Rear seat belt connection 17. Rear pillar trim |
|-------------------------------------------------------------------------------------------------------------------------------------------------------------------------------------------------------------------------------------------------------------------------------------------------------------------------------------------------------------|---------------------------------------------------------------------------------------------------------------------------------------------------------------------------------------------------------------------------------------------------------------------------------------------------------------------------------------------------------------------|

CLIP AND CLAW POSITIONS



W0288AL

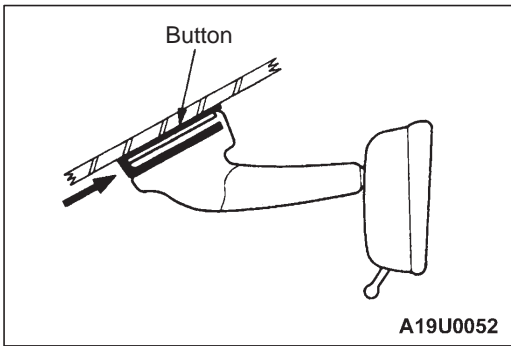
NOTE

➔ : Clip positions

↔ : Claw positions

For door trim, refer to GROUP 42.

<p>Section A – A</p> <p>Clip</p> <p>Front pillar trim</p> <p>W0289AL</p>	<p>Section B – B</p> <p>Front pillar trim</p> <p>Clip</p> <p>W0290AL</p>	<p>Section C – C</p> <p>Front pillar trim</p> <p>Instrument panel</p> <p>W0297AL</p>	<p>Section D – D</p> <p>Clip</p> <p>Center pillar trim</p> <p>W0292AL</p>
<p>Section E – E</p> <p>Center pillar trim</p> <p>Clip</p> <p>W0291AL</p>	<p>Section F – F</p> <p>Clip</p> <p>Rear pillar trim</p> <p>W0294AL</p>	<p>Section G – G</p> <p>Headlining</p> <p>Claw</p> <p>W0296AL</p>	<p>Section H – H</p> <p>Clip</p> <p>Rear pillar trim</p> <p>W0295AL</p>
<p>Section I – I</p> <p>Center pillar trim</p> <p>Claw</p> <p>Quarter trim</p> <p>W0293AL</p>	<p>Section J – J</p> <p>Clip</p> <p>Quarter trim</p> <p>W0298AL</p>	<p>Section K – K</p> <p>Rear step plate</p> <p>Quarter trim</p> <p>Claw</p> <p>W0299AL</p>	<p>00008904</p>



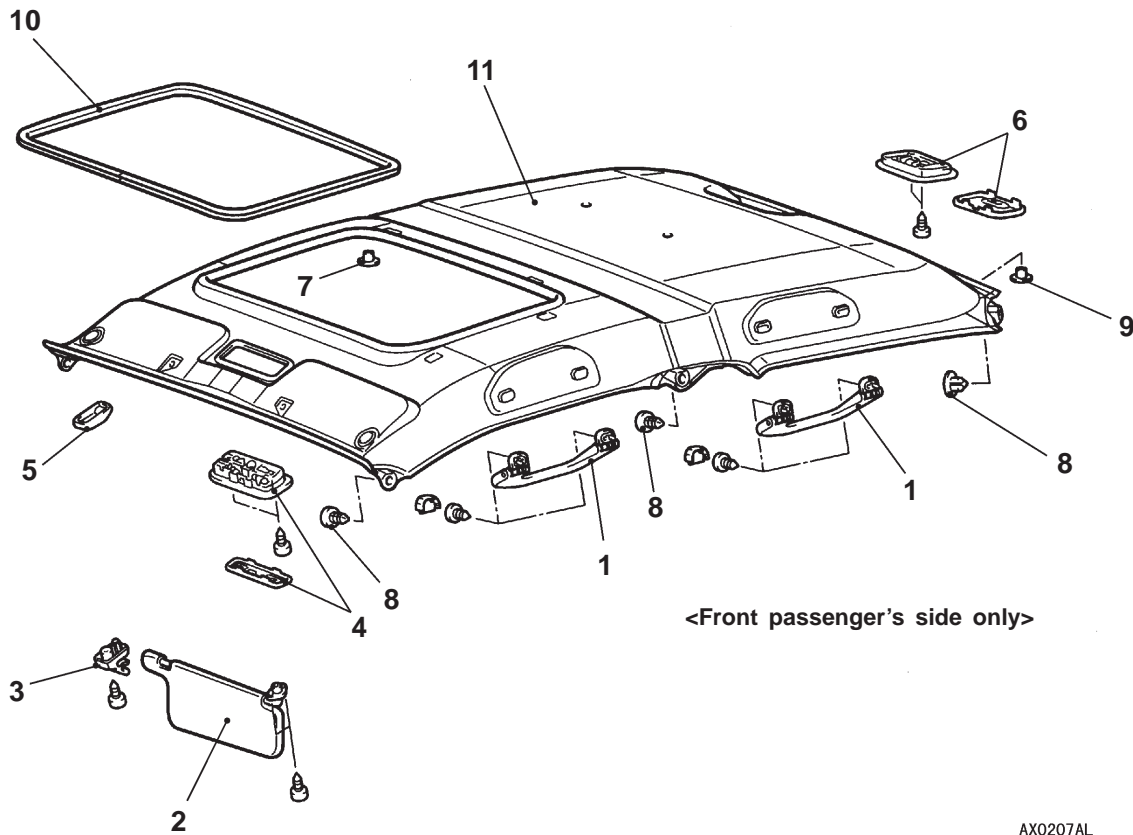
INSIDE REAR VIEW MIRROR

REMOVAL SERVICE POINT

Remove by pushing in the direction of the arrow in the illustration.

HEADLINING

REMOVAL AND INSTALLATION



AX0207AL

Removal steps

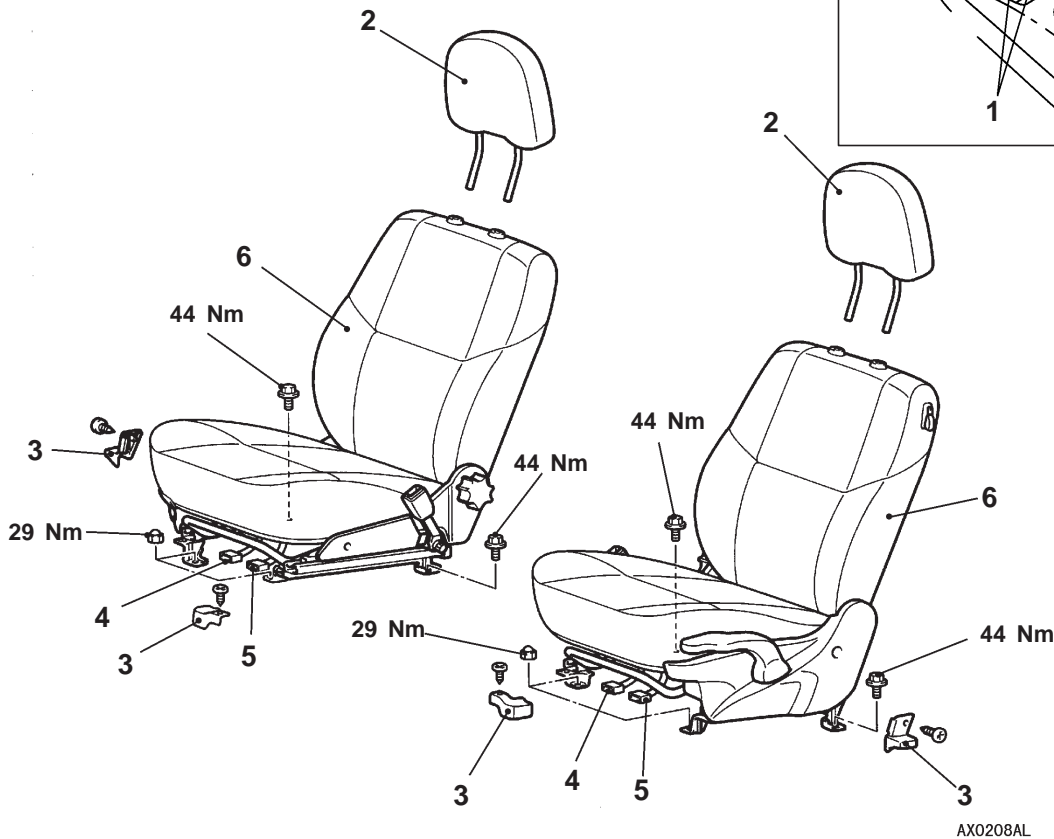
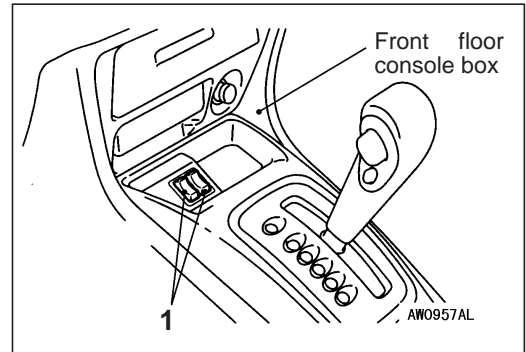
1. Assist grip
2. Sun visor assembly
3. Sun visor holder
4. Front room lamp assembly
5. Sunroof switch cover
<Vehicles with sunroof>
6. Rear room lamp assembly
- Front pillar trim (Refer to P.52A-9.)
- Center pillar trim (Refer to P.52A-9.)

- Rear pillar trim (Refer to P.52A-9.)
- 7. Trim clip <Vehicles without sunroof>
- 8. Clip
- 9. Trim clip
- 10. Sunroof drip moulding
<Vehicles with sunroof>
- 11. Headlining

**SEAT
FRONT SEAT
REMOVAL AND INSTALLATION**

Caution: SRS

Before removal of the seat equipped with the side air bag module, refer to **GROUP 52B – SRS Service Precautions and Air Bag Module.**



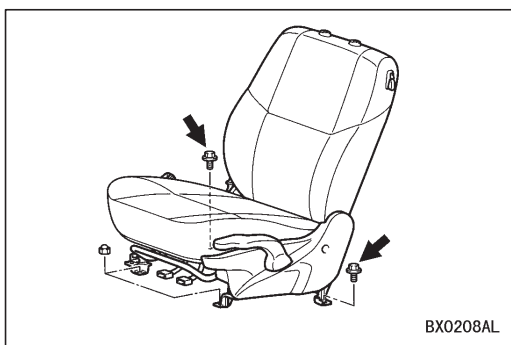
- 1. Heated seat switch
<Vehicles with heated seat>
- 2. Headrest

Front seat assembly removal steps

- 3. Front seat anchor cover

- 4. Heated seat harness connector
<Vehicles with heated seat>
- 5. Side air bag module harness connector
<Vehicles with SRS side air bag>

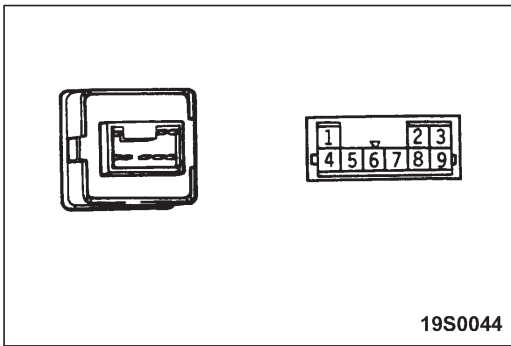
- ▶◀ 6. Front seat assembly



INSTALLATION SERVICE POINT

▶◀ FRONT SEAT ASSEMBLY INSTALLATION

Temporarily tighten the mounting nuts and bolts, and then tighten them to the specified torque. Note that the bolts shown in the illustration should be tightened with no load on the seat cushion.



INSPECTION

HEATED SEAT SWITCH CONTINUITY CHECK

Switch position		Terminal No.													
		1	3	4	5	-	8	9	2	-	6				
Driver's seat switch	HI	○	○		○		○								
	LO		○		○		○		○				○	⚡	○
Passenger's seat switch	HI			○	○		○		○		○				
	LO				○		○		○		○				

NOTE

To inspect the diode, match the polarity of the circuit tester with the (+) (-) polarities in the table.

HEATER CHECK

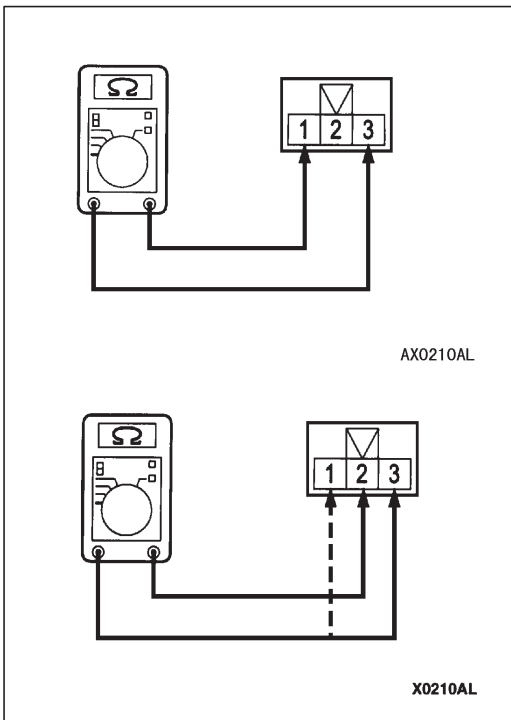
Measure the resistance between terminals.

Standard value:

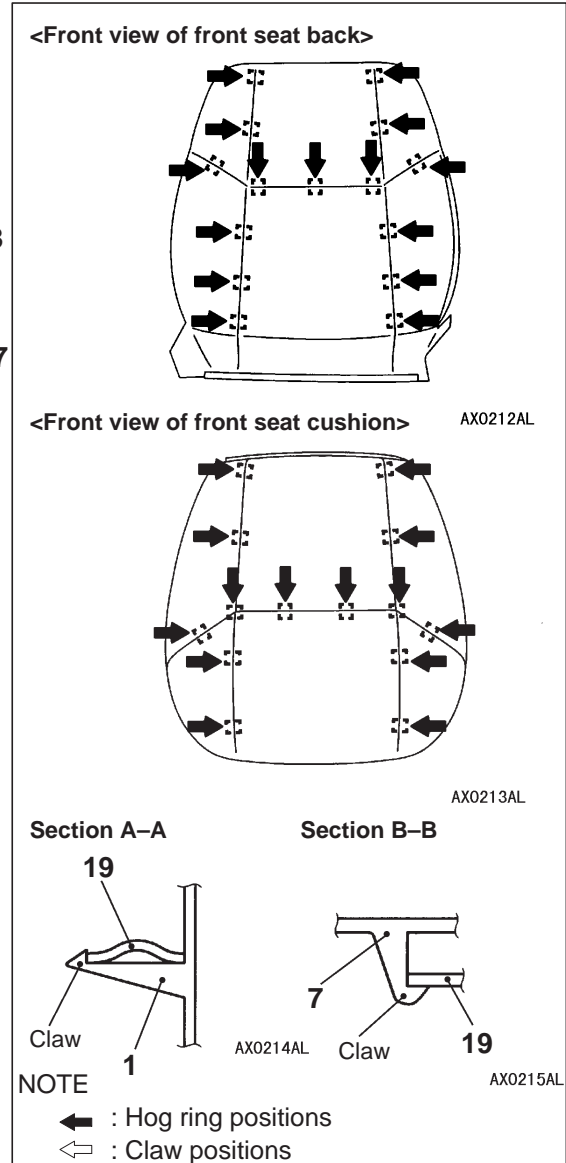
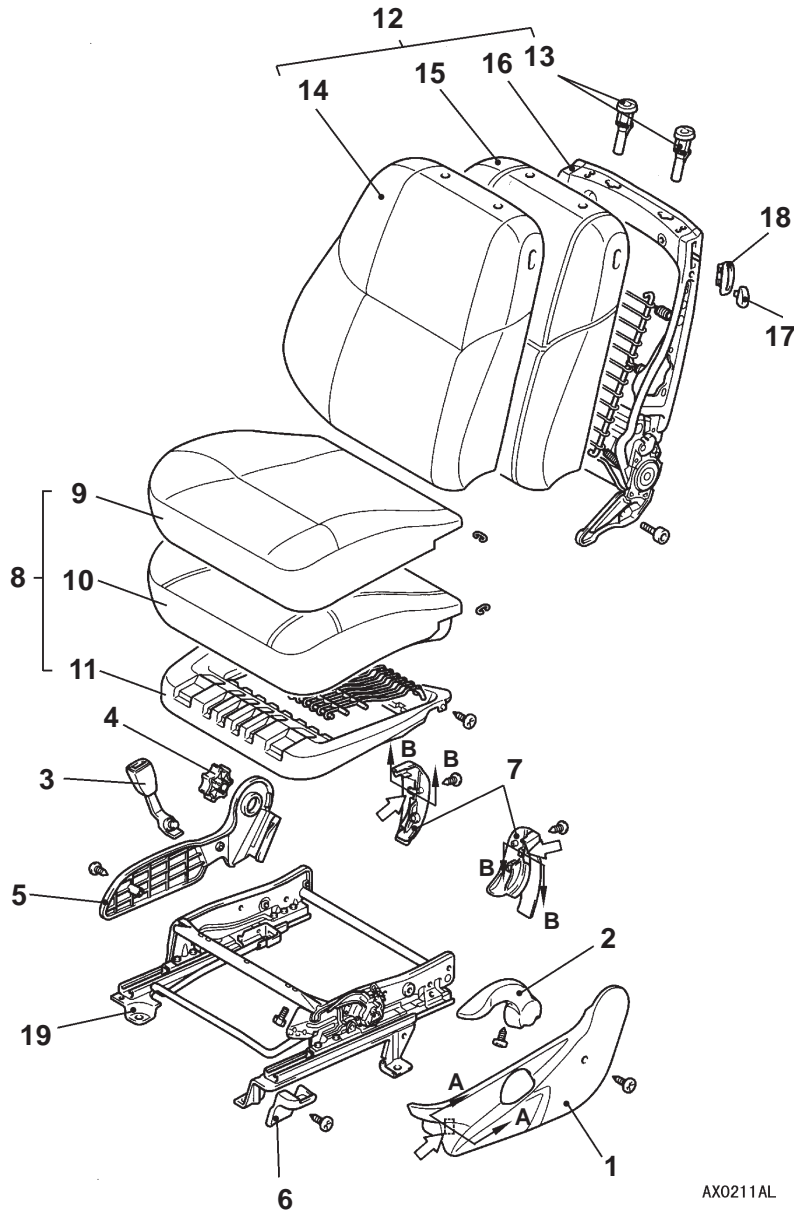
Between terminals 1 and 3: Approx. 5.4 Ω

Between terminals 1 and 2: Approx. 4.2 Ω

Between terminals 2 and 3: Approx. 9.6 Ω



DISASSEMBLY AND REASSEMBLY



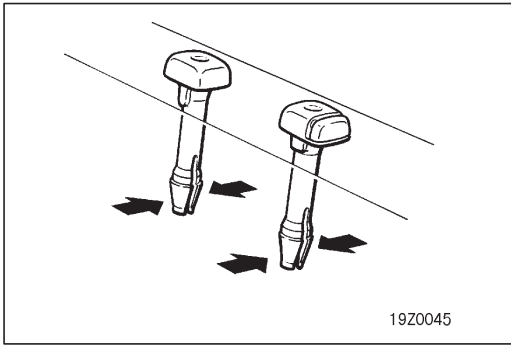
AX0211AL

Disassembly steps

1. Front seat side shield cover
2. Height adjuster lever
3. Inner seat belt
4. Reclining adjuster lever
5. Front seat hinge cover
6. Front cover
7. Recliner cover
8. Front seat cushion assembly
9. Front seat cushion cover



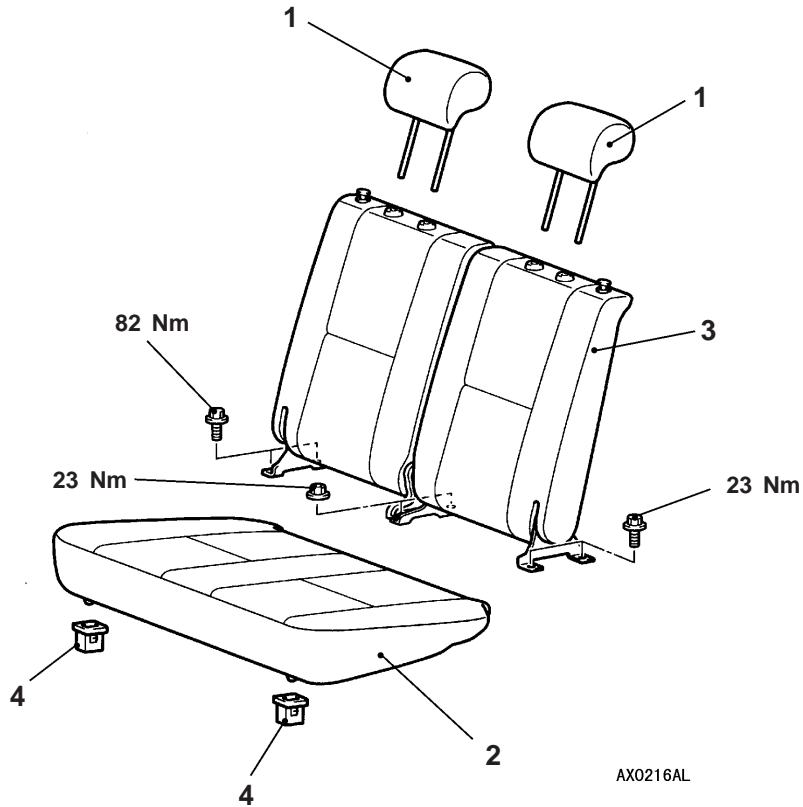
10. Front seat cushion pad
11. Front seat cushion frame
12. Front seat back assembly
13. Headrest guide
14. Front seat back cover
15. Front seat back pad
16. Front seat back frame
17. Release lever knob
18. Release lever trim
19. Seat slide adjuster



REMOVAL SERVICE POINT

◀A▶ HEADRESTRAINT GUIDE REMOVAL

**REAR SEAT
REMOVAL AND INSTALLATION**

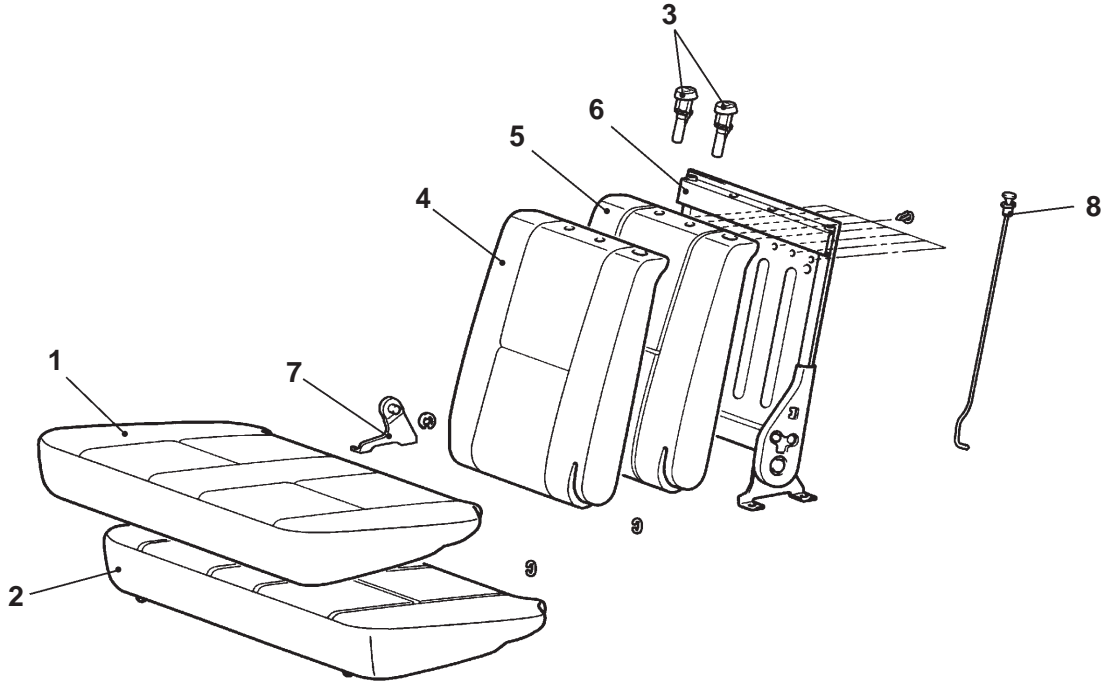


AX0216AL

1. Headrest
Rear seat assembly removal steps

2. Rear seat cushion assembly
3. Rear seat back assembly
4. Rear seat stopper

DISASSEMBLY AND REASSEMBLY



AX0217AL

<Back view of rear seat cushion>

AX0218AL

<Front view of rear seat back>

AX0220AL

<Front view of rear seat cushion>

AX0219AL

NOTE
 : Hog ring positions

Disassembly steps

1. Rear seat cushion cover
2. Rear seat cushion pad
3. Headrest guide
4. Rear seat back cover

5. Rear seat back pad
6. Rear seat back frame assembly
7. Rear seat center hinge
8. Folding knob assembly



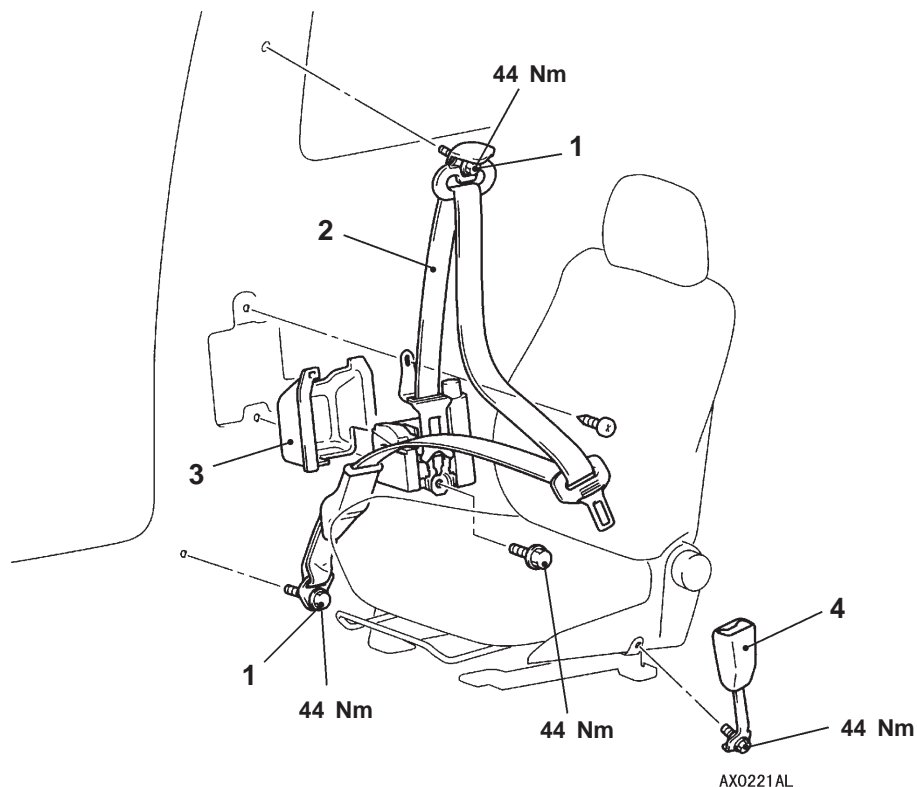
SEAT BELT

FRONT SEAT BELT

REMOVAL AND INSTALLATION

Caution: SRS

Before removal of the seat belt pre-tensioner, refer to GROUP 52B – SRS Service Precautions and Seat Belt with Pre-tensioner.



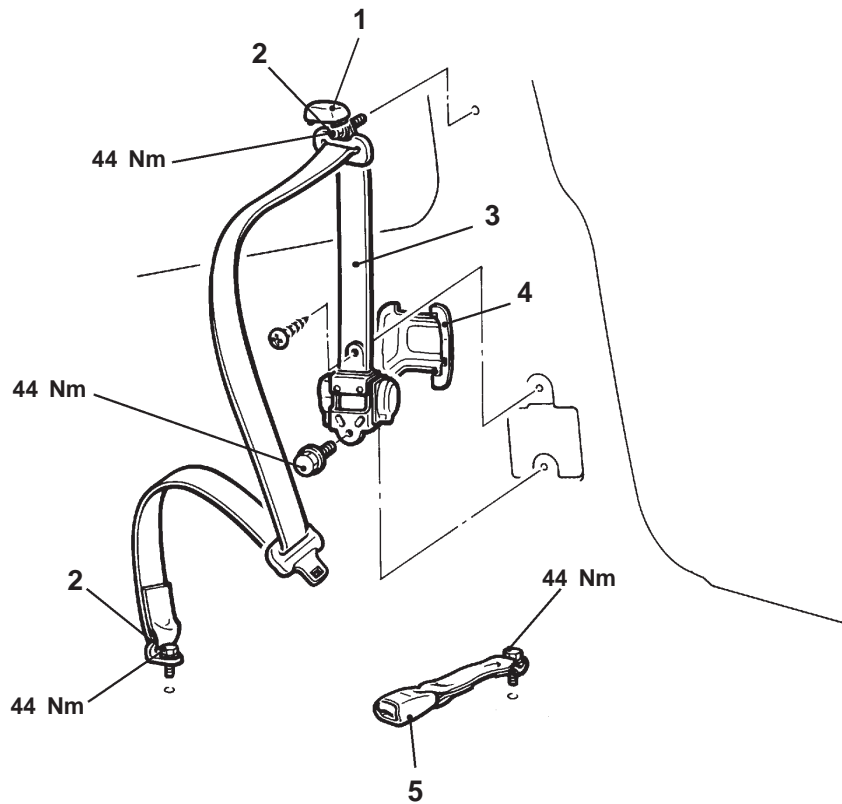
Outer seat belt removal steps

1. Outer seat belt connection
- Quarter trim (Refer to P.52A-9.)
2. Outer seat belt
3. Front noise protector

Inner seat belt removal

4. Inner seat belt

REAR SEAT BELT REMOVAL AND INSTALLATION



AW0171AL

Removal steps

- Rear seat cushion assembly (Refer to P.52A-15.)
- 1. Sash guide cover
- 2. Outer seat belt connection
- Luggage floor box <Option> (Refer to P.52A-9.)

- Rear pillar trim (Refer to P.52A-9.)
- Quarter trim (Refer to P.52A-9.)
- 3. Outer seat belt
- 4. Rear noise protector
- 5. Inner seat belt

GROUP 52A INTERIOR

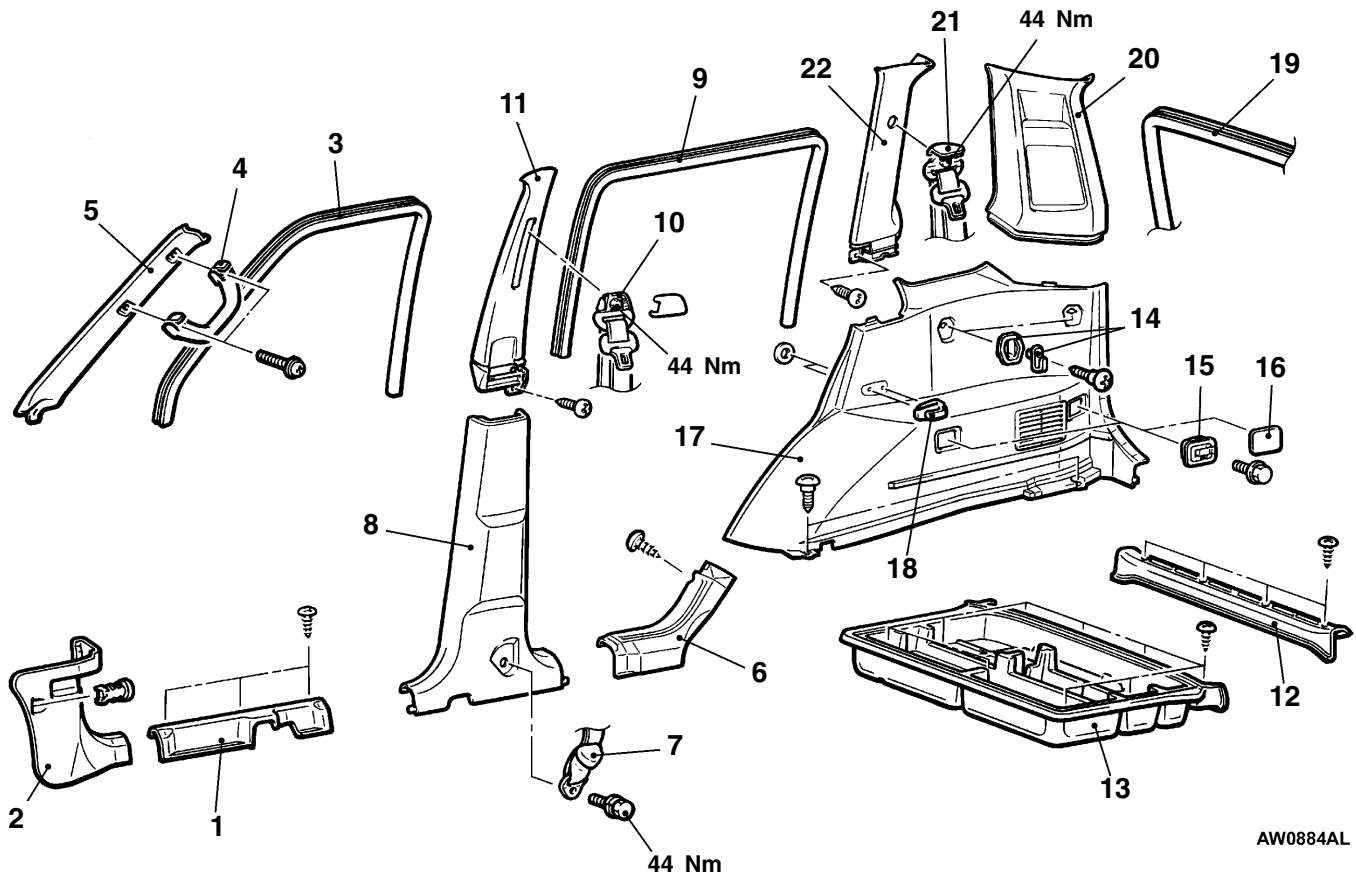
GENERAL

OUTLINE OF CHANGE

- Due to the introduction of 5-door models, the service procedures for the trims, the headlining, the seat and the seat belts have been added. The other items are the same as before.

TRIMS <5-DOOR MODELS>

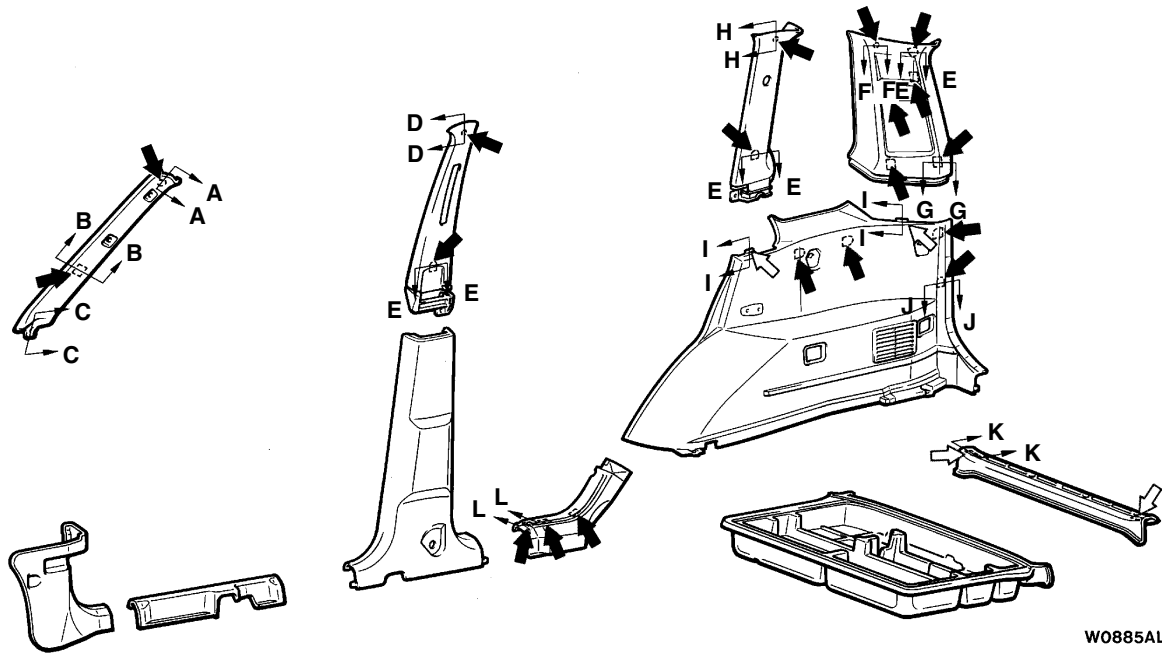
REMOVAL AND INSTALLATION



1. Front scuff plate
2. Cowl side trim
3. Front door opening trim
4. Assist grip (front)
5. Front pillar trim
6. Rear scuff plate
7. Front seat belt connection
8. Center pillar lower trim
9. Rear door opening trim
10. Front seat belt connection
11. Center pillar upper trim
12. Rear step plate

- Rear seat (Refer to '00 PAJERO PININ Workshop Manual <pub.No. CKRE00E1> Group 52A)
- 13. Luggage floor box <Option>
- 14. Luggage room hook
- 15. Net hook <Option>
- 16. Cover
- 17. Quarter lower trim
- 18. Hook
- 19. Back door opening trim
- 20. Rear pillar trim
- 21. Rear seat belt connection
- 22. Quarter pillar upper trim

CLIP AND CLAW POSITIONS



W0885AL

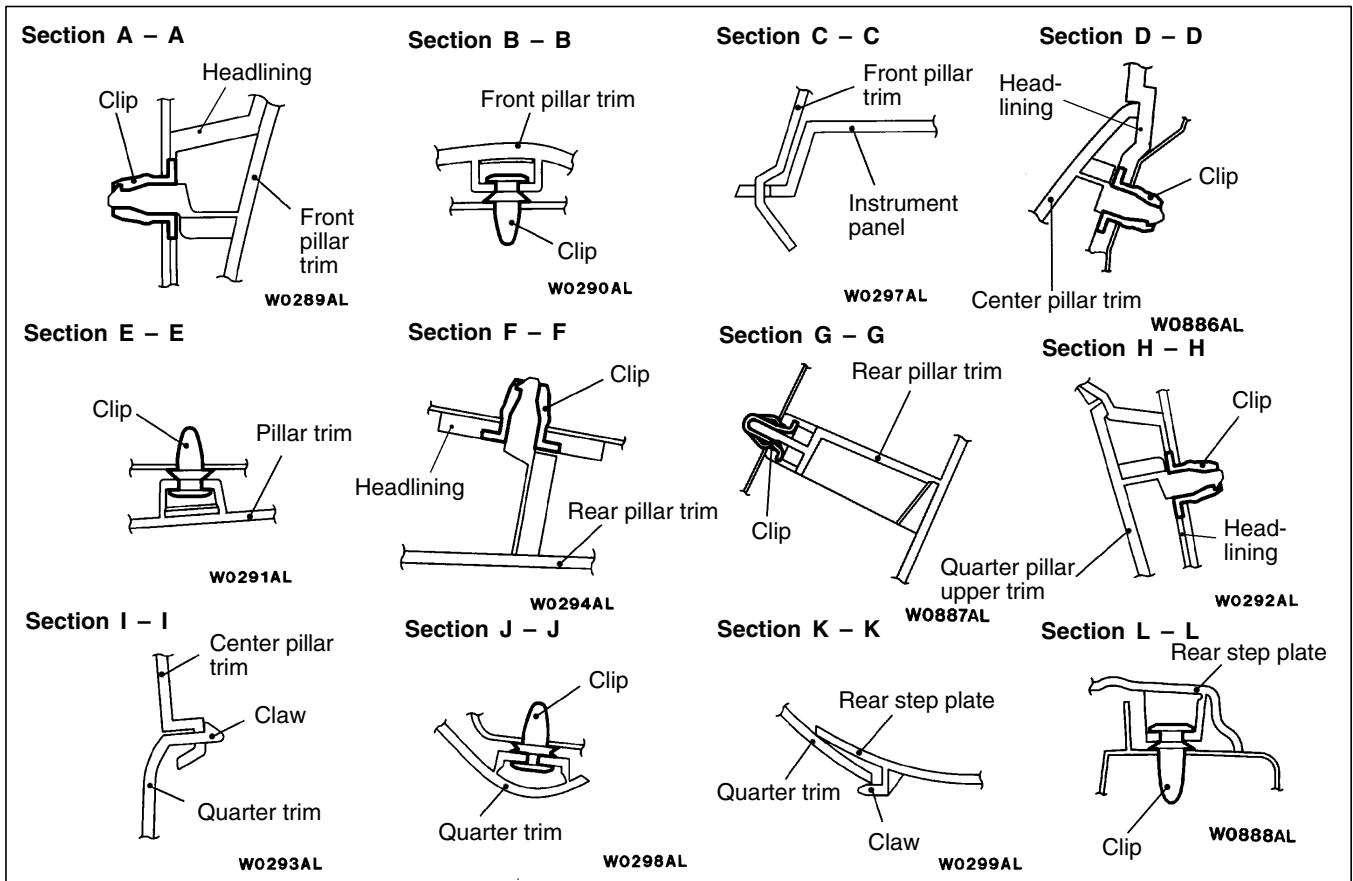
00009437

NOTE

◄ : Clip positions

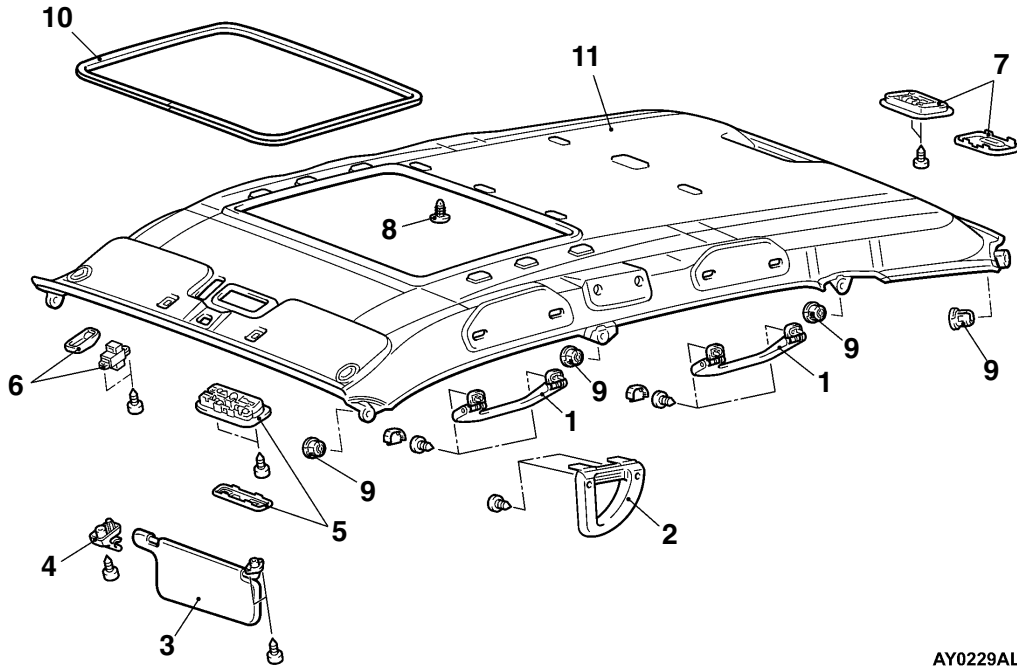
◁ : Claw positions

For door trim, refer to GROUP 42.



HEADLINING <5-DOOR MODELS>

REMOVAL AND INSTALLATION



AY0229AL

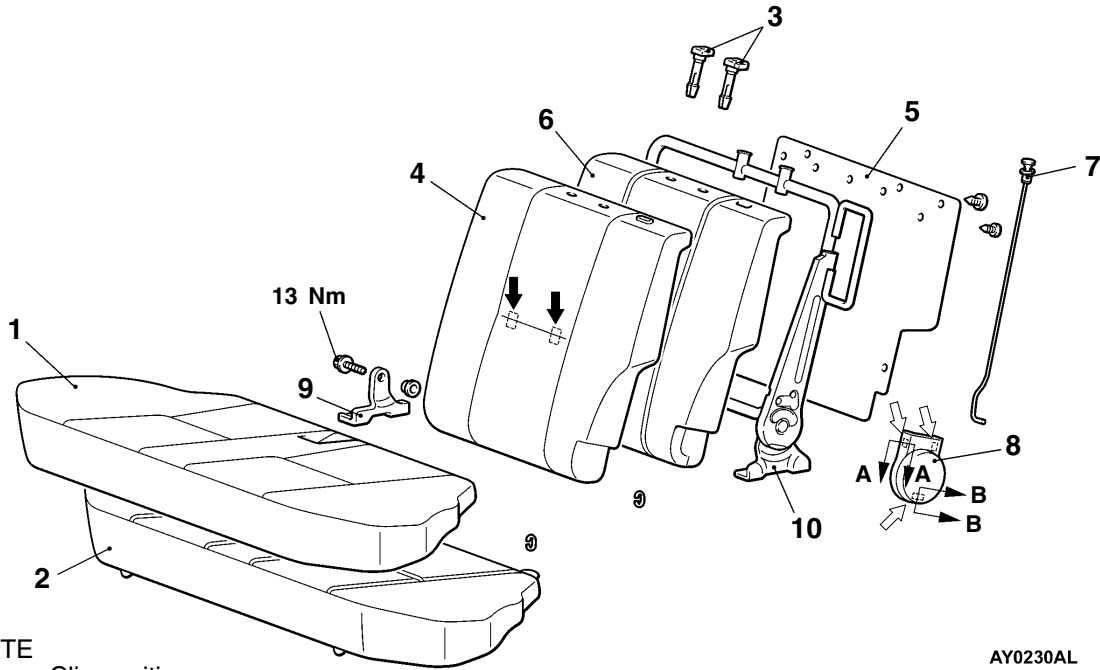
Removal steps

1. Assist grip
2. Grip (rear)
3. Sun visor assembly
4. Sun visor holder
5. Front room lamp assembly
6. Sunroof switch
<Vehicles with sunroof>
7. Rear room lamp assembly
 - Front pillar trim (Refer to P.52A-1.)
 - Center pillar trim (Refer to P.52A-1.)
- Quarter pillar upper trim (Refer to P.52A-1.)
- Rear pillar trim (Refer to P.52A-1.)
8. Trim clip <Vehicles without sunroof>
9. Clip
10. Sunroof drip moulding
<Vehicles with sunroof>
11. Headlining

SEAT <5-DOOR MODELS>

REAR SEAT

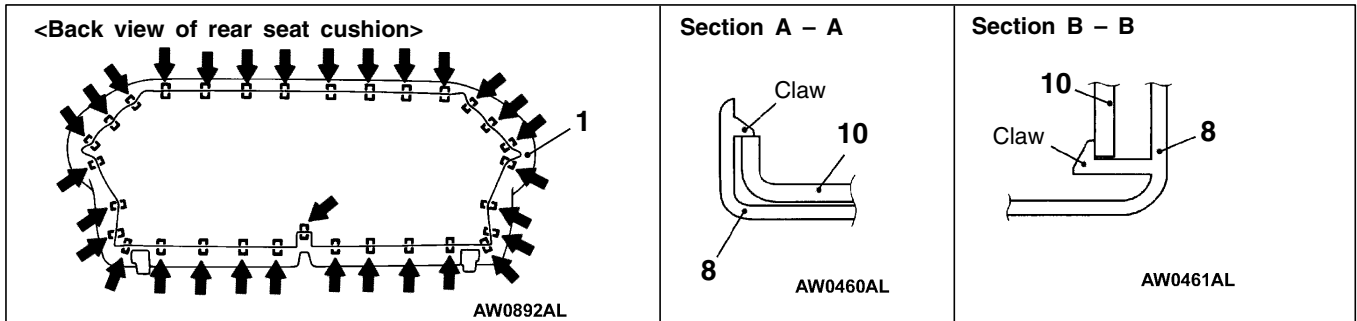
DISASSEMBLY AND REASSEMBLY



NOTE

- ◀ : Clip position
- ◁ : Claw position

AY0230AL

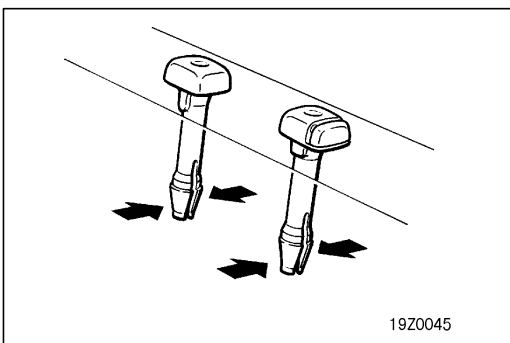


Disassembly steps



1. Rear seat cushion cover
2. Rear seat cushion pad
3. Headrest guide
4. Rear seat back cover
5. Rear seat back panel

6. Rear seat back pad
7. Folding knob assembly
8. Reclining adjuster cover
9. Rear seat center hinge
10. Rear seat back frame assembly



REMOVAL SERVICE POINT

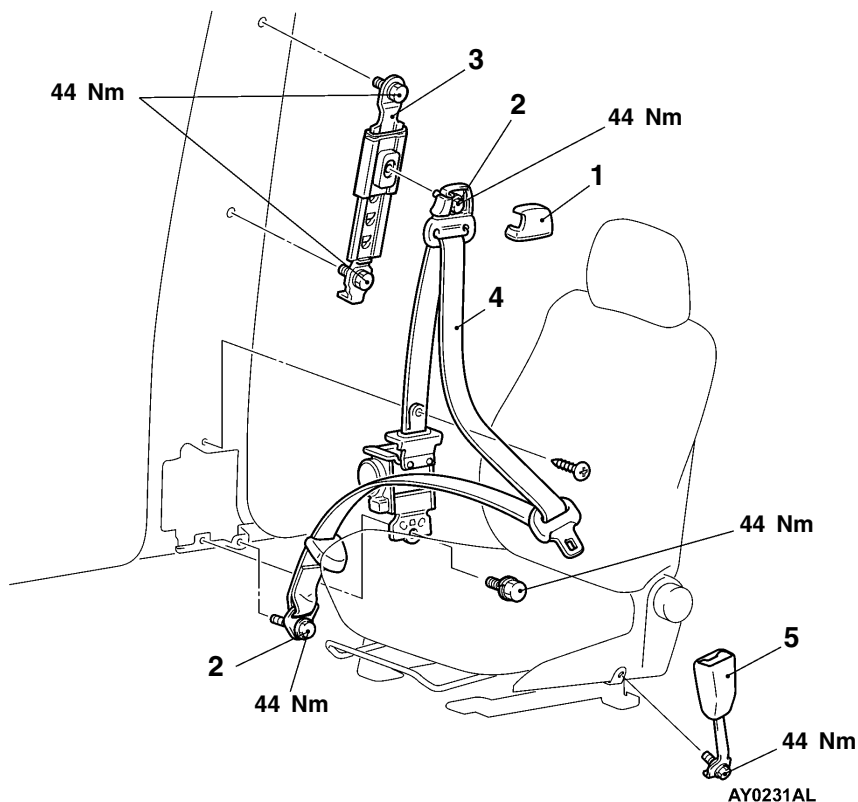
◀A▶ **HEADRESTRAINT GUIDE REMOVAL**

SEAT BELT <5-DOOR MODELS>

FRONT SEAT BELT REMOVAL AND INSTALLATION

Caution: SRS

Before removal of the seat belt pre-tensioner, refer to GROUP 52B – SRS Service Precautions and Seat Belt with Pre-tensioner.



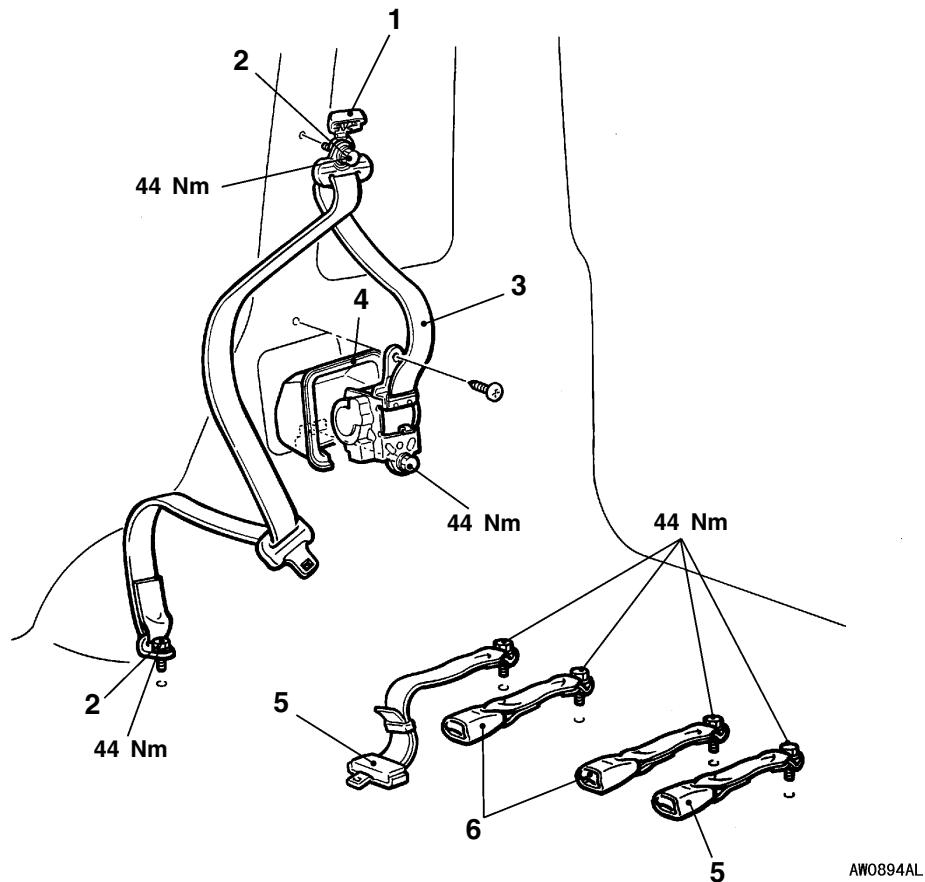
Outer seat belt removal steps

1. Sash guide cover
2. Outer seat belt connection
 - Center pillar lower trim (Refer to P.52A-1.)
 - Center pillar upper trim (Refer to P.52A-1.)
3. Adjustable seat belt anchor
4. Outer seat belt

Inner seat belt removal

5. Inner seat belt

REAR SEAT BELT REMOVAL AND INSTALLATION



AW0894AL

Removal steps

- Rear seat cushion assembly
(Refer to P.52A-1.)
- 1. Sash guide cover
- 2. Outer seat belt connection
- Luggage floor box <Option>
(Refer to P.52A-1.)
- Quarter lower trim
(Refer to P.52A-1.)
- Quarter pillar upper trim
(Refer to P.52A-1.)
- 3. Outer seat belt
- 4. Rear noise protector
- 5. Rear center seat belt
- 6. Inner seat belt