

---

# **POWER PLANT MOUNT**

# POWER PLANT MOUNT

## CONTENTS

ENGINE MOUNTING .....	2	TRANSMISSION MOUNTING .....	3
-----------------------	---	-----------------------------	---

---



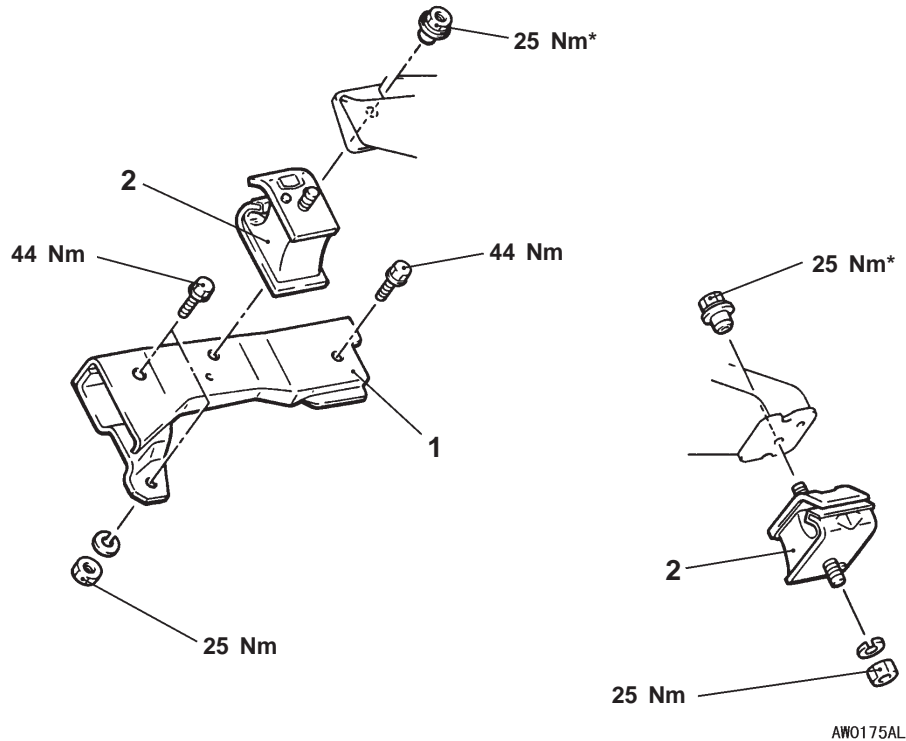
## ENGINE MOUNTING

### REMOVAL AND INSTALLATION

#### Caution

Provisionally tighten the parts marked by an asterisk (\*), and then fully tighten after loading the full weight of the engine on the vehicle body.

**Pre-removal and Post-installation Operation**  
Crossmember Removal and Installation (Refer to GROUP 33.)



#### Removal steps

1. Engine mount bracket
2. Engine mount insulator

AW0175AL

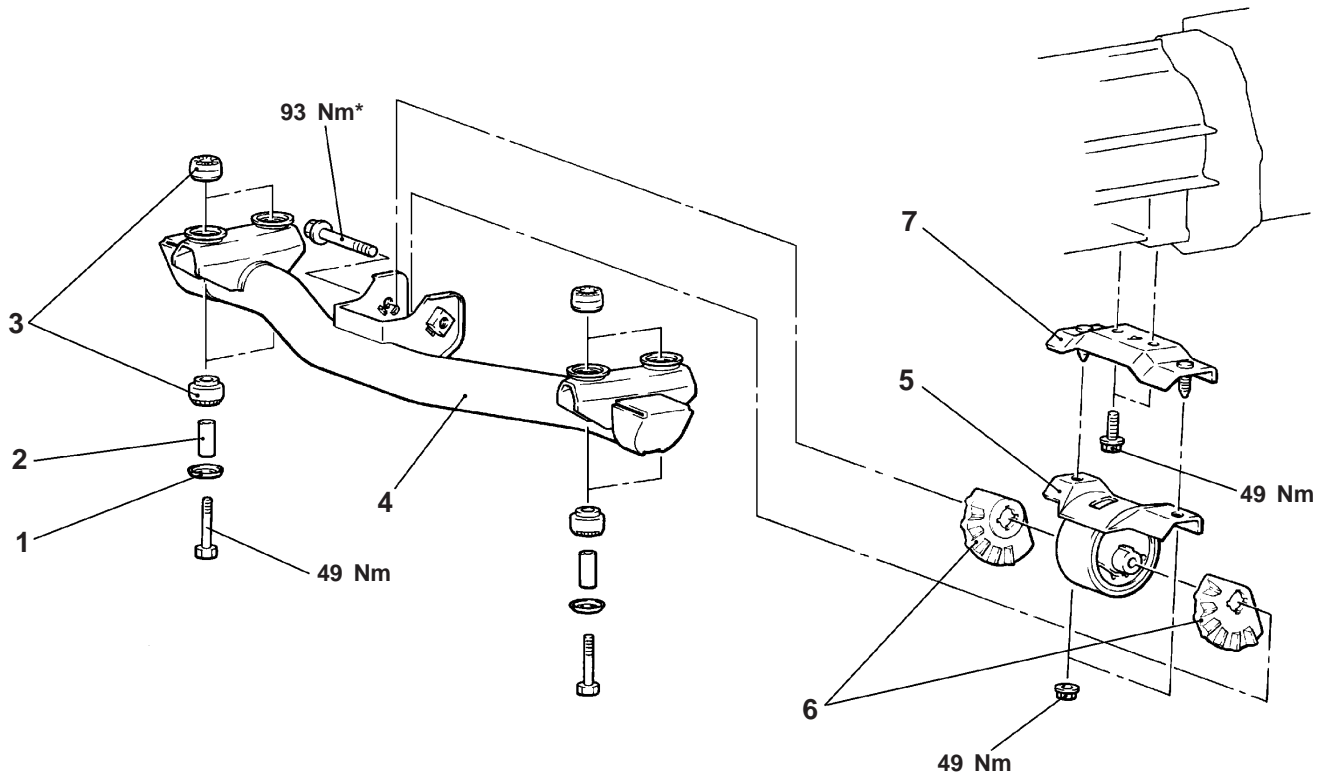
# TRANSMISSION MOUNTING

## REMOVAL AND INSTALLATION

### Caution

Provisionally tighten the parts marked by an asterisk (\*), and then fully tighten after loading the full weight of the transmission on the vehicle body.

**Pre-removal and Post-installation Operation**  
 Jack up the Engine and Transmission Assembly until there is no weight on the Engine Mount Bracket Insulator.

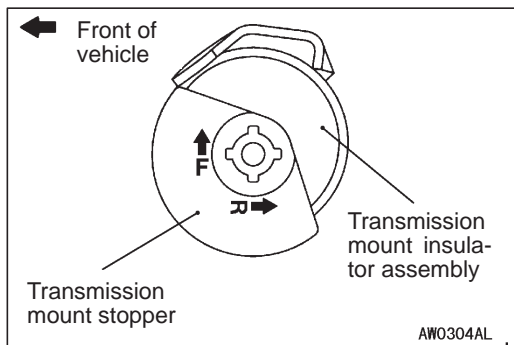


AW0303AL

### Removal steps

1. Washer
2. Spacer
3. Transmission mount bushing
4. Transmission mount crossmember assembly

- ▶A◀
5. Transmission mount insulator assembly
  6. Transmission mount stopper
  7. Adaptor



AW0304AL

### INSTALLATION SERVICE POINT

#### ▶A◀ TRANSMISSION MOUNT STOPPER INSTALLATION

Install the transmission mount stopper so that the arrow faces the direction shown.

#### NOTE

Disregard F and R stamped as a shared part.

---

## NOTES

## GROUP 32

# POWER PLANT MOUNT

### GENERAL

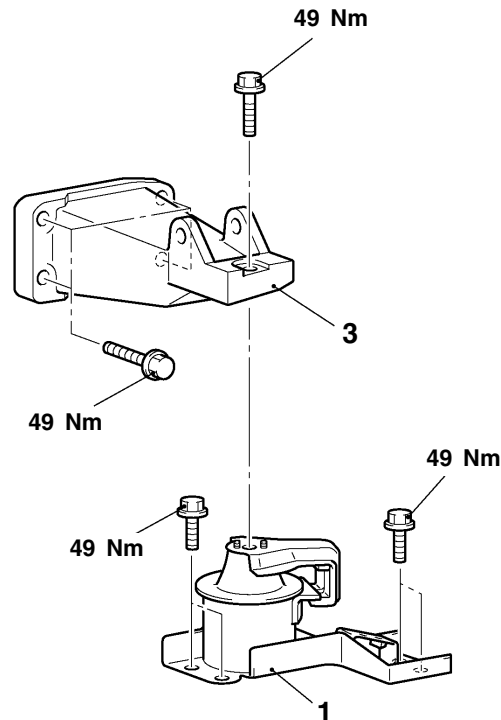
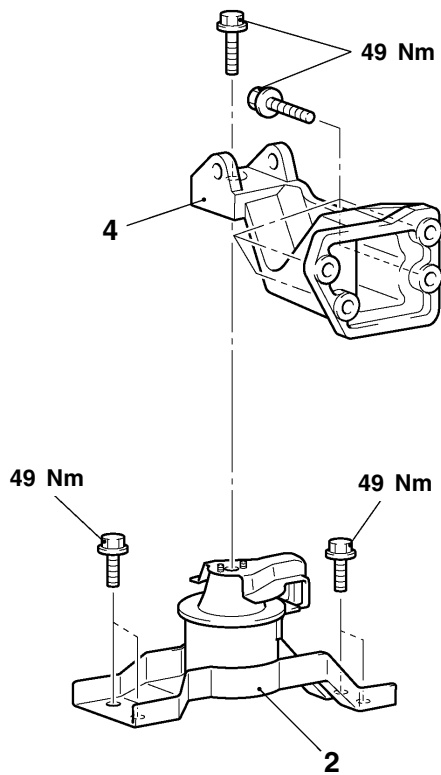
### OUTLINE OF CHANGE

The following service procedures have been added due to the change of the engine mount and transmission mount.

### ENGINE MOUNTING

### REMOVAL AND INSTALLATION

**Pre-removal and Post-installation Operation**  
Crossmember Removal and Installation



BY0067AL

#### Removal steps

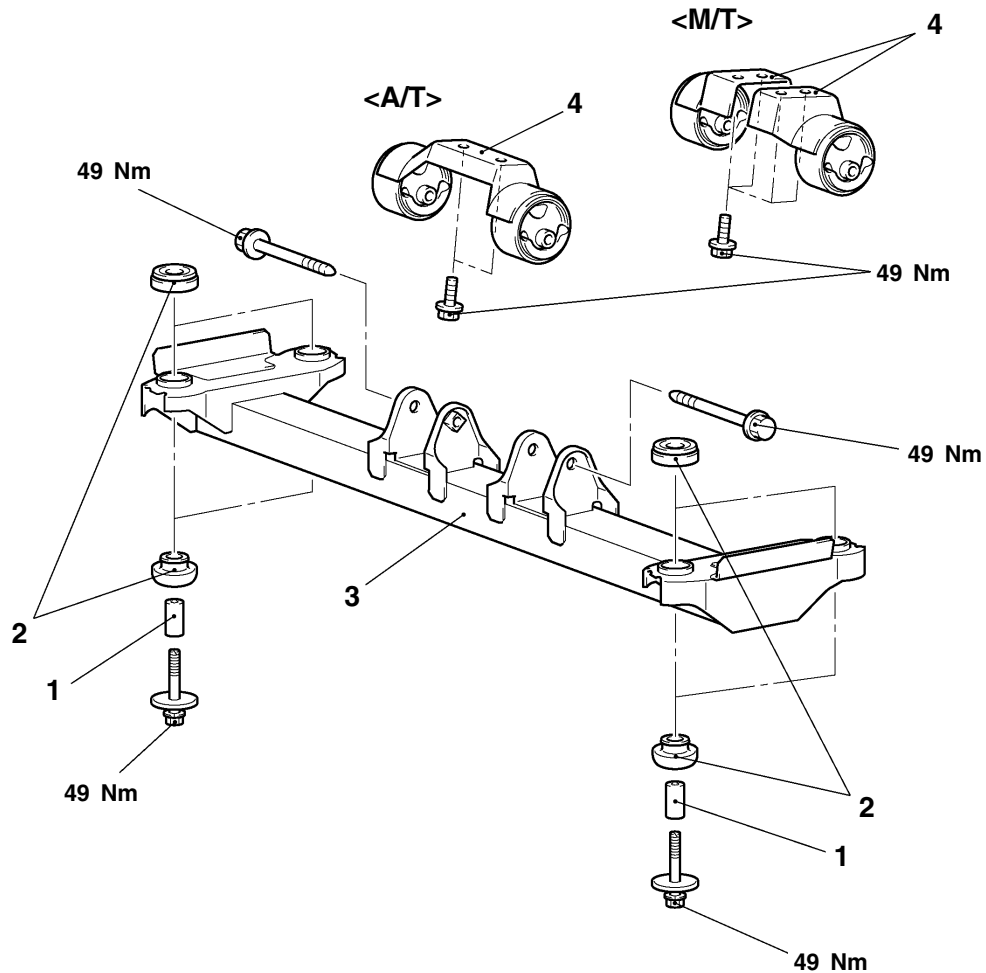
1. Engine mount insulator Assembly (L.H.)
2. Engine mount insulator Assembly (R.H.)

3. Engine mount bracket (L.H.)
4. Engine mount bracket (R.H.)

## TRANSMISSION MOUNTING

### REMOVAL AND INSTALLATION

**Pre-removal and Post-installation Operation**  
 Jack up the Engine and Transmission Assembly until there is no weight on the Engine Mount Bracket Insulator.



AY0068AL

#### Removal steps

1. Collar
2. Transmission mount bushing
3. Transmission mount crossmember Assembly

4. Transmission mount insulator Assembly

## GROUP 32

# POWER PLANT MOUNT

### GENERAL

#### OUTLINE OF CHANGE

The following service procedures have been established due to the addition of vehicles with 4G9-MPI engine. The other service procedures are the same as the vehicles with GDI engine.

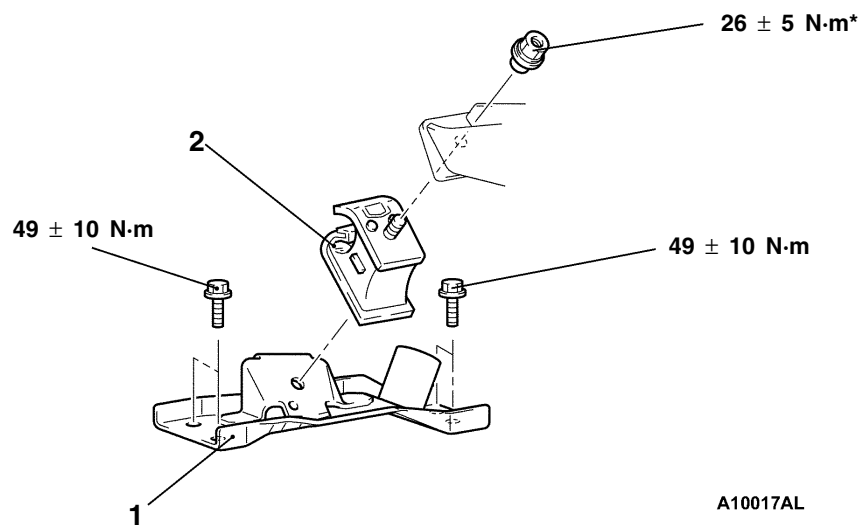
### ENGINE MOUNTING

#### REMOVAL AND INSTALLATION

##### Caution

Provisionally tighten the parts marked by an asterisk (\*), and then fully tighten after loading the full weight of the engine on the vehicle body.

**Pre-removal and Post-installation Operation**  
Crossmember Removal and Installation  
(Refer to GROUP 33.)



##### Removal steps

1. Engine mount bracket <RH>
2. Engine mount insulator





**NOTES**