
FRONT AXLE

FRONT AXLE

CONTENTS

GENERAL INFORMATION	2	Solenoid Valve Operation Check	12
SERVICE SPECIFICATIONS	4	HUB AND KNUCKLE ASSEMBLY	14
LUBRICANTS	4	DRIVE SHAFT	19
SEALANTS AND ADHESIVES	5	MAIN SHAFT	26
SPECIAL TOOLS	5	DIFFERENTIAL CARRIER	28
ON-VEHICLE SERVICE	10	FREE-WHEELING CLUTCH ASSEMBLY	45
Wheel Bearing Axial Play Check	10	SOLENOID VALVE, VACUUM PIPES AND	
Front Axle Total Backlash Check	10	VACUUM TANK	48
Front Axle Gear Oil Level Check	11	FRONT DIFFERENTIAL MOUNT	50
Hub Bolt Replacement	11		
Differential Carrier Oil Seal Replacement	11		

GENERAL INFORMATION

The front axle consists of the hub assembly, drive shaft, inner shaft, front differential, and free-wheeling clutch.

The features are:

- The free-wheeling mechanism enables 2WD and 4WD to be switched over during driving, thus improving fuel efficiency and reducing vibration at the 2WD mode.
- The drive shaft uses a B.J.-D.O.J.-type constant velocity ball joint which has high power transmission efficiency and reduces vibration and noise.
- For vehicles with ABS, the ABS rotor for detecting the wheel speed has been pressed in the B.J. joint.
- The axle is supported by the ball bearing and the front hub, which is pressed in the knuckle axle housing.
- The ball bearing is of a double-row angular contact ball bearing which features high thrust load resistance.
- The differential carrier is supported elastically at three points, thus reducing vibration and noise.

FRONT AXLE

Item		Specifications	
Wheel bearing	Type	Double-row angular contact ball bearing	
	Bearing (O.D. × I.D.) mm	74 × 40	
Drive shaft	Joint type	Outer	B.J.
		Inner	D.O.J.
	Shaft length* ¹ × Shaft diameter mm	Right side	316 × 24* ² , 293 × 24* ³
		Left side	435 × 24* ² , 428 × 24* ³
Inner shaft	Shaft length × Shaft diameter mm	383 × 25	
	Bearing (O.D. × I.D.) mm	62 × 35	

NOTE

*¹: shows the distance between the centres of the joints.

*²: A/T

*³: M/T

FRONT DIFFERENTIAL

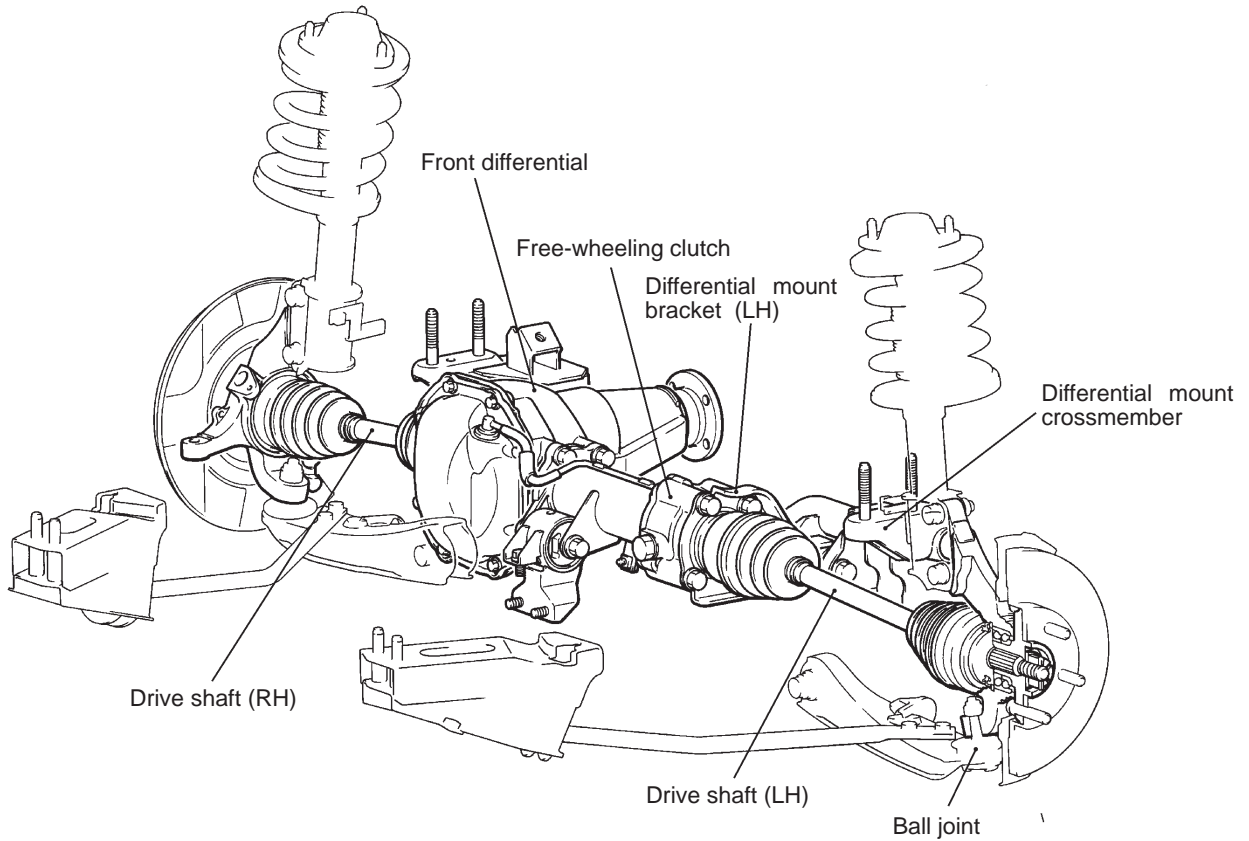
Item		Specifications
Drive gear type		Hypoid gear
Reduction ratio		4.875
Differential gear type		Straight bevel gear
Number of teeth	Drive gear	39
	Drive pinion	8
	Side gear	14
	Pinion gear	10
Bearing (O.D. × I.D.) mm	Side	72.0 × 35.0* ¹ , 80.0 × 45.0* ²
	Front	62.0 × 25.0* ¹ , 64.0 × 30.0* ²
	Rear	72.0 × 35.0* ¹ , 76.0 × 36.5* ²

NOTE

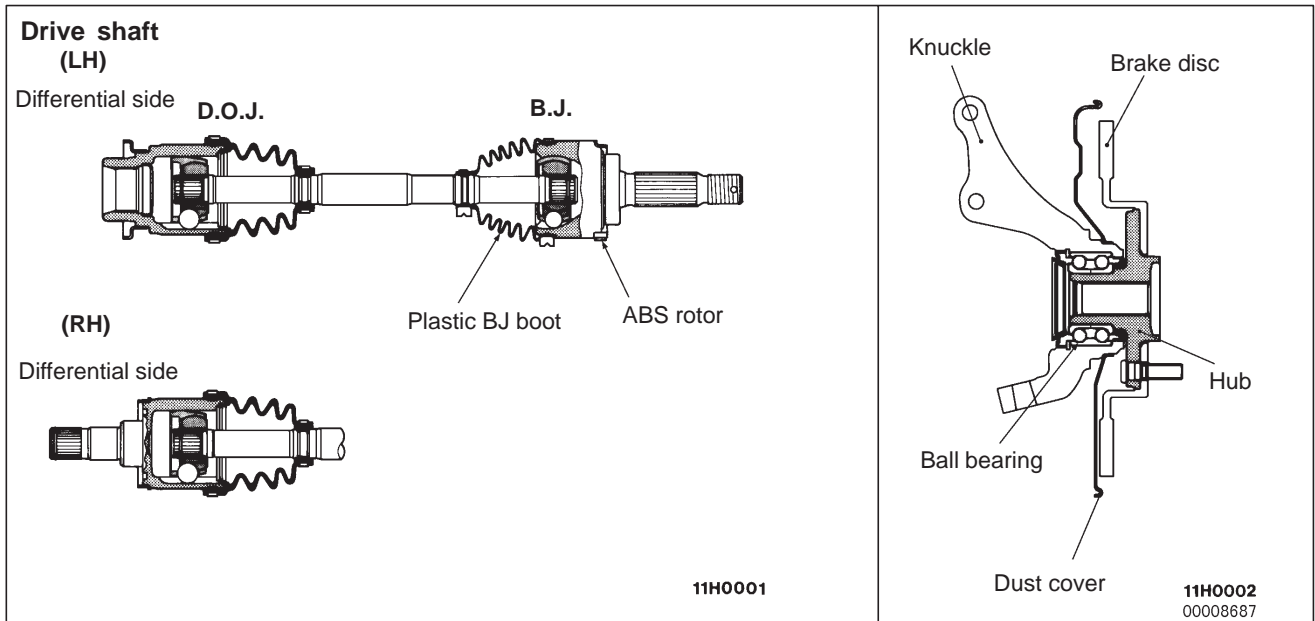
*¹: A/T

*²: M/T

CONSTRUCTION DIAGRAM



W0003AL



SERVICE SPECIFICATIONS

Items		Standard value	Limit	
Front axle total backlash mm		–	5	
Wheel bearing axial play mm		–	0.2	
Solenoid valve resistance Ω		36 – 46	–	
Hub rotation starting torque Nm		1.6	–	
Setting of D.O.J. boot length mm		80 \pm 3	–	
Special tool (MB991561) opening dimension mm	With B.J. boot band (small) crimped	2.9	–	
	With B.J. boot band (large) crimped	3.2	–	
B.J. boot crimping dimension mm		2.4 – 2.8	–	
Clearance between B.J. boot (large) and step on B.J. housing mm		0.1 – 1.55	–	
Final drive gear backlash mm		0.11 – 0.16	–	
Drive gear runout mm		–	0.05	
Differential gear backlash mm		0 – 0.076	0.2	
Drive pinion turning torque Nm	Without oil seal	When replacing (with anti-rust agent)	0.88 – 1.17* ¹ , 0.29 – 0.49* ²	–
		When replacing or reusing (with gear oil applied)	0.39 – 0.49* ¹ 0.147 – 0.245* ²	–
	With oil seal	When replacing (with anti-rust agent)	0.98 – 1.27* ¹ 0.49 – 0.69* ²	–
		When replacing or reusing (with gear oil applied)	0.49 – 0.58* ¹ 0.343 – 0.441* ²	–

NOTE

*1: A/T

*2: M/T

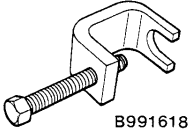
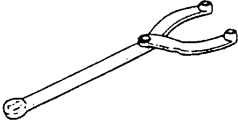
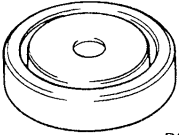
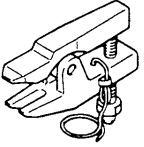
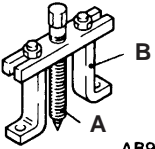
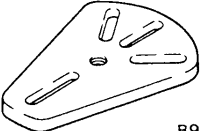
LUBRICANTS

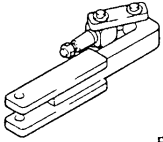
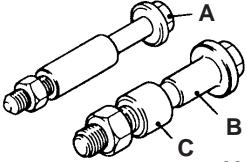

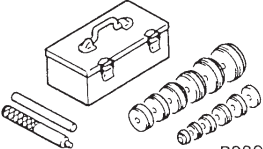
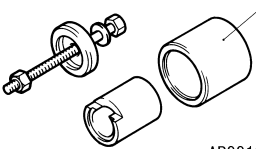

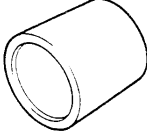
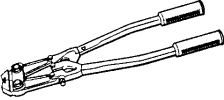
Items		Specified lubricants	Quantity
Gear oil	Front differential	Hypoid gear oil API classification GL-5 or higher SAE viscosity No.90, 80W	0.83 ℓ
	Free-wheeling clutch		0.12 ℓ
D.O.J.		Repair kit grease	<A/T> 85 g <M/T> 100 g
B.J.		Repair kit grease	<A/T> 85 g <M/T> 110 g

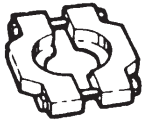
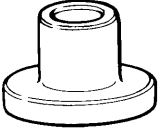
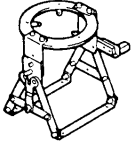
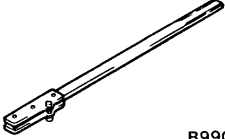
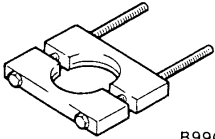
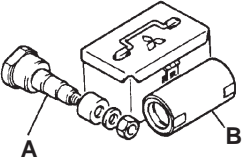
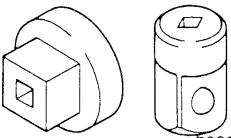
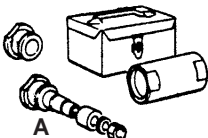
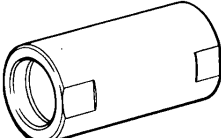
SEALANTS AND ADHESIVES

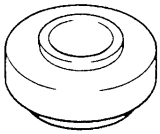
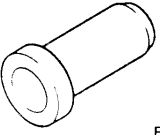
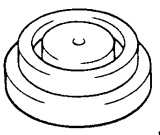
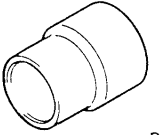
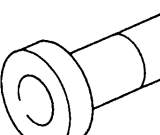
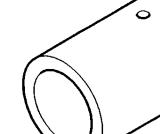
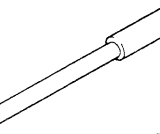
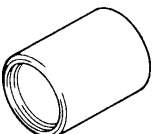
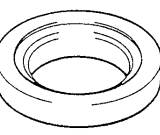
Items	Specified sealants and adhesives	Remarks
Front housing assembly and free-wheeling housing assembly	3M ATD Part No.8661 or equivalent	Semi-drying sealant
Front housing assembly and differential carrier		
Vent plug		
Differential cover		
Drive gear and differential case mating surface	3M Stud Locking 4170 or equivalent	Anaerobic sealant

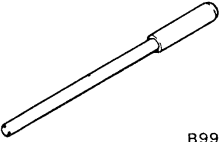
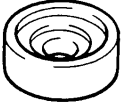

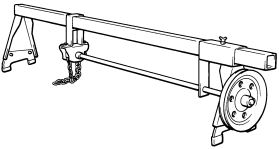
SPECIAL TOOLS

Tool	Number	Name	Use
 B991618	MB991618	Hub bolt remover	Hub bolt removal
 B990767	MB990767	Front hub and flange yoke holder	Hub fixing
 B990955	MB991115	Oil seal installer	<ul style="list-style-type: none"> • Front axle hub oil seal press-fitting (Used together with MB990938) • Housing tube dust seal press-fitting
 B991113	MB991406 or MB991113	Steering linkage puller	Ball joint disconnection
 AB990241	MB990241 A: MB990242 B: MB990244	Axle shaft puller A: Puller shaft B: Puller bar	Drive shaft removal
 B991354	MB991354	Puller body	

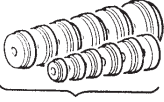
Tool	Number	Name	Use
 <p>B991056</p>	MB991056 or MB991355	Knuckle arm bridge	Hub removal
 <p>00005697</p>	A: MB991017 B: MB990998 C: MB991000	A, B: Front hub remover and in- staller C: Spacer	<ul style="list-style-type: none"> ● Hub removal and press-fitting. ● Wheel bearing provisional holding (MB991000, which belongs to MB990998, should be used as a spacer.)
 <p>B990810</p>	MB990810	Side bearing puller	<ul style="list-style-type: none"> ● Side bearing inner race removal ● Companion flange removal
 <p>B990925</p>	MB990925	Bearing and oil seal installer set	<ul style="list-style-type: none"> ● Outer wheel bearing inner race installation ● Oil seal installation ● Front housing assembly oil seal installation ● Drive pinion front and rear bearing outer race removal and installation ● Final drive gear backlash check
 <p>AB991045</p>	MB991045 A: MB991050	Bush remover installer A: Base (B)	Wheel bearing pressing-in (Used together with base B)
 <p>B991387</p>	MB991387	Bush remover installer	Outer oil seal pressing-in
 <p>B991389</p>	MB991389	Bush base remover	Inner oil seal pressing-in
	MB991561	Boot band clipping tool	Plastic boot band installation

Tool	Number	Name	Use
	MB990673	Front bearing remover	Bearing removal
	MB990663	Rear axle shaft bearing and retain-ring installer	Bearing installation
 <p>B990909</p>	MB990909	Working base assembly	Differential carrier fixing
 <p>B990850</p>	MB990850	End yoke holder	Companion flange removal and installation
 <p>B990560</p>	MB990560	Rear axle shaft bearing remover	Drive pinion bearing inner race removal
 <p>AB990835</p>	MB990835 A: MB990836 B: MB990392	Dummy pinion set A: Drive pinion gauge assembly B: Cylinder gauge	<ul style="list-style-type: none"> • Drive pinion rotation starting torque check • Drive pinion height measurement <A/T>
 <p>B990326</p>	MB990326	Pre-load socket	Drive pinion turning torque measurement
 <p>A</p>	MB990901 A: MB990903	Pinion height gauge set	Pinion height adjustment <M/T>
	MB991170	Cylinder gauge	Pinion height adjustment <M/T>

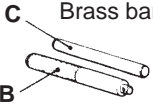
Tool	Number	Name	Use
 <p>B990829</p>	MB990829	Pinion and side bearing installer	<ul style="list-style-type: none"> • Drive pinion rear bearing inner race pressing-in • Side bearing inner race pressing-in
 <p>B990727</p>	MB990727	Oil seal installer	Drive pinion oil seal pressing-in
 <p>B991015</p>	MB991015	Knuckle oil seal installer	Oil seal pressing-in
 <p>B990799</p>	MB990799	Ball joint remover and installer	Free-wheeling clutch gear and bearing installation
 <p>MD999547</p>	MD999547	Oil seal installer	Front differential mount insulator <front> removal
 <p>MD999570</p>	MD999570	Crankshaft front oil seal installer	Front differential mount insulator <rear> removal
 <p>B990947</p>	MB990947	Lower arm bushing arbour	Front differential mount insulator <front> pressing-in
 <p>B990847</p>	MB990847	Rear suspension bushing remover and installer base	
 <p>B990884</p>	MB990981	Mount bushing remover and installer ring	

Tool	Number	Name	Use
 B991318	MB991318	Lower arm bushing arbour	Front differential mount insulator <rear> pressing-in
	MB991183	Bushing arbour	
	MB990843	Drag link bushing remover and installer	
	GENERAL SERVICE TOOL MZ203827	Engine lifter	Supporting the engine assembly when the differential carrier is removed and installed

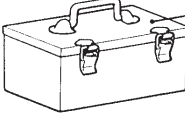
MB990925



A
Installer adapter



C Brass bar
B Bar (snap-in type)



Tool box

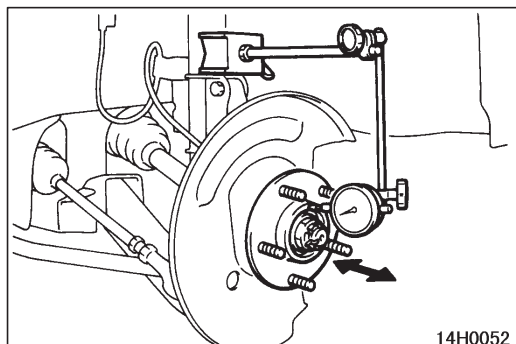
A11W0113

Type	Tool number	O.D. mm	Type	Tool number	O.D. mm
A	MB990926	39	A	MB990933	63.5
	MB990927	45		MB990934	67.5
	MB990928	49.5		MB990935	71.5
	MB990929	51		MB990936	75.5
	MB990930	54		MB990937	79
	MB990931	57	B	MB990938	–
	MB990932	61	C	MB990939	–

ON-VEHICLE SERVICE

WHEEL BEARING AXIAL PLAY CHECK

1. Remove the disc brake caliper and suspend it with a wire.
2. Remove the brake disc from the front hub.



3. Attach a dial gauge as shown in the illustration, and then measure the axial play while moving the hub in the axial direction.

Limit: 0.2 mm

4. If axial play exceeds the limit, disassemble the hub and knuckle to inspect each component.

FRONT AXLE TOTAL BACKLASH CHECK

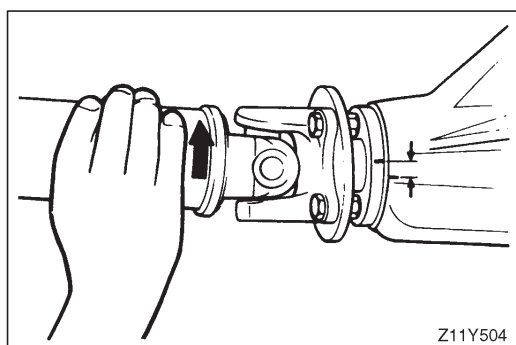
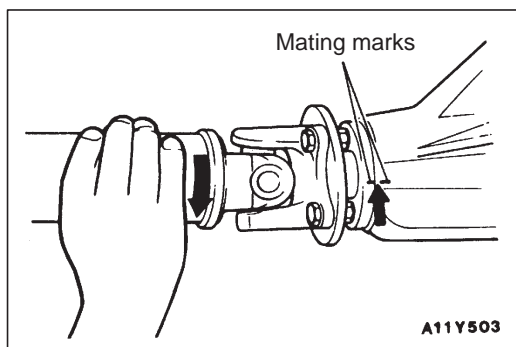
If the propeller shaft is rotated by hand while the ignition switch is OFF, the front wheel actuator will lock the front wheels. To prevent this, follow the procedures below:

1. Turn the ignition switch to the OFF position, and then place the transfer shift lever in the 2H position to lock the front wheels.

Caution

Do not jack up the vehicle.

2. Rotate the propeller shaft until a click is heard to lock the free-wheeling differential.
3. Rotate the propeller shaft fully clockwise, and then make mating marks on the companion flange dust cover and the gear carrier.



4. Rotate the propeller shaft fully anticlockwise, and measure the difference between the mating marks with a scale.

Limit: 5 mm

5. If the measured value exceeds the limit value, check the following.
 - Final drive gear backlash
 - Differential gear backlash
 - Play in the serrations and spline of the side gears, drive shaft, inner shaft and drive flange

FRONT AXLE GEAR OIL LEVEL CHECK

Top up the specified gear oil if the gear oil level does not reach the bottom of the filler plug.

Specified gear oil:

Hypoid gear oil API classification GL-5 or higher, SAE viscosity No.90, 80W

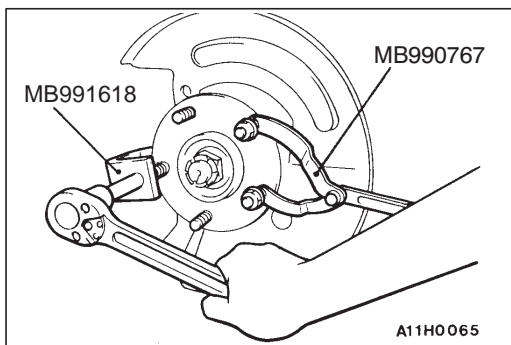
NOTE

SAE 90 for 10 °C or higher, SAE80 for 10 °C or lower

Capacity:

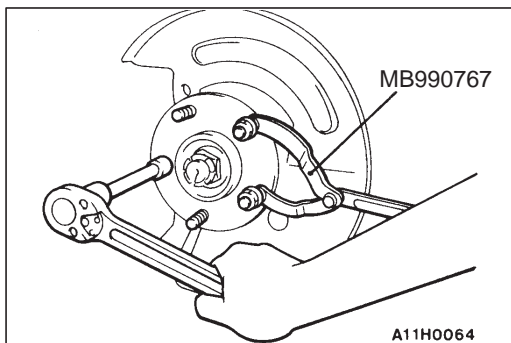
Front differential: Approx. 0.83 ℓ

Free-wheeling clutch: 0.12 ℓ

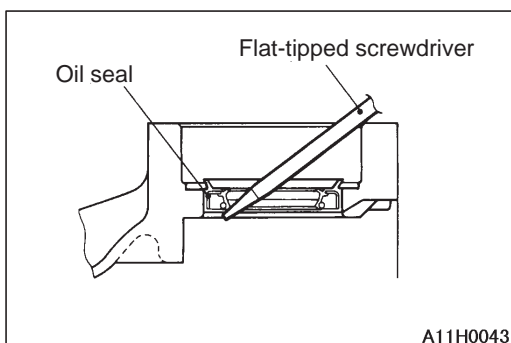


HUB BOLT REPLACEMENT

1. Rotate the hub to align each hub bolt with the cutout section of the dust cover, and push out each hub bolt while locking the hub with the special tool.

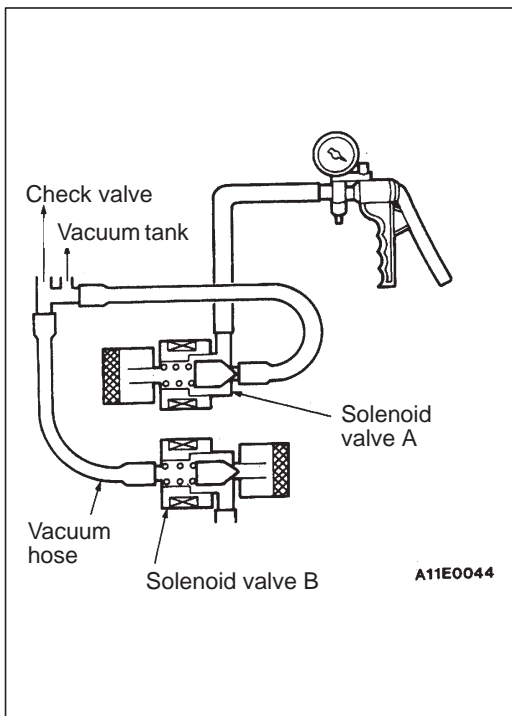
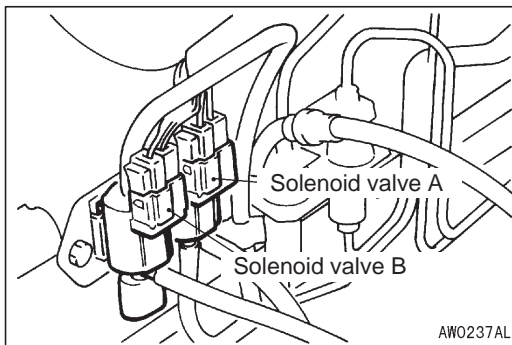
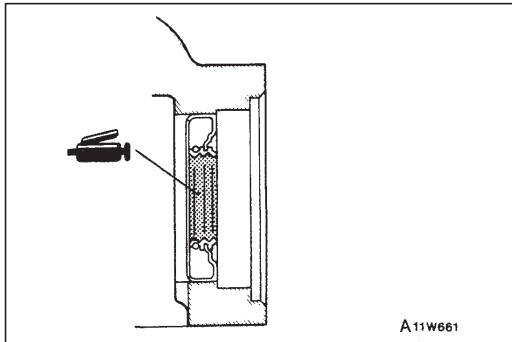
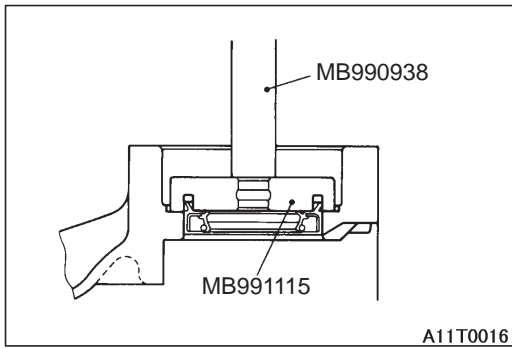


2. To press in the hub bolt, install each hub bolt at the cutout section of the dust cover, and tighten the hub bolt with the hub nut as shown.



DIFFERENTIAL CARRIER OIL SEAL REPLACEMENT

1. Remove the front housing assembly. (Refer to P.26-26.)
2. Remove the drive shaft <RH>. (Refer to P.26-19.)
3. Use a flat-tipped screwdriver or the like to remove the oil seal.



4. Use the special tools to install a new oil seal.

5. Apply multi-purpose grease to the oil seal lip, and then install the right drive shaft (Refer to P.26-19) and the front housing assembly (Refer to P.26-26).

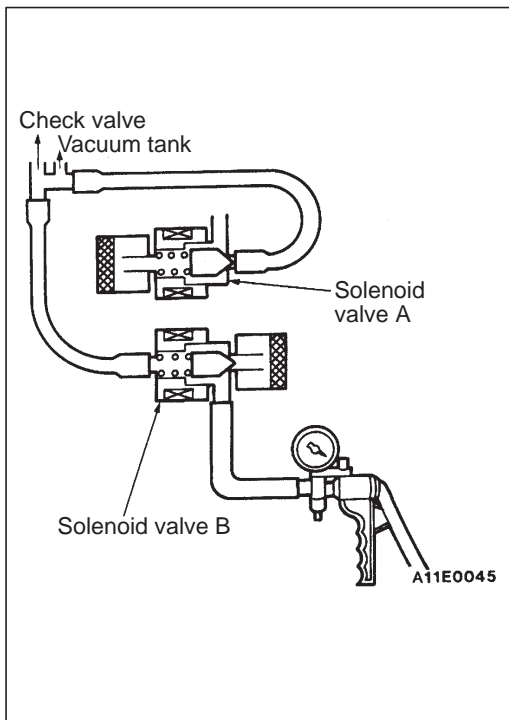
Caution

- (1) Be careful not to scratch the oil seal lip.
- (2) Always replace the circlip, which is installed on the D.O.J.-side spline of the right drive shaft, with a new one.

SOLENOID VALVE OPERATION CHECK

1. Remove the vacuum hoses (blue stripe, yellow stripe) from the solenoid valves.
2. Disconnect the harness connectors.

3. Connect a hand vacuum pump to solenoid valve A, and carry out the following inspections.
 - (1) When battery voltage is not applied to any terminals, the negative pressure is not held.
 - (2) The negative pressure is not held when battery voltage is applied to solenoid valve A. However, when the vacuum hose of solenoid valve B is restricted by bending it, the pressure is held.
 - (3) The negative pressure is held when battery voltage is applied to solenoid valves A and B.



4. Connect a hand vacuum pump to solenoid valve B. Apply negative pressure and carry out the following inspections.
 - (9) When battery voltage is not applied to any terminals, the negative pressure is held.
 - (10) When battery voltage is applied to solenoid valve B, the negative pressure is not held.
 - (11) When battery voltage is applied to solenoid valve A, the negative pressure is not held.
5. Measure the resistance of solenoid valves A and B.

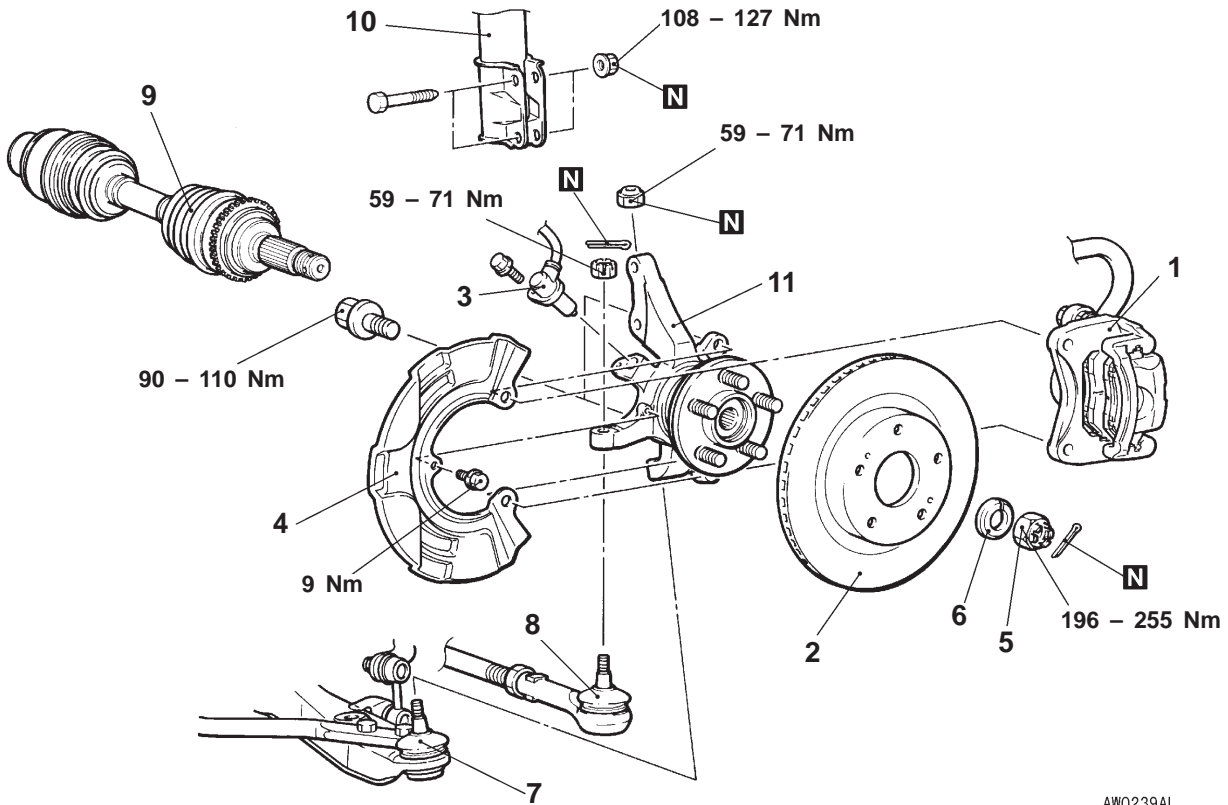
Standard value: 36 – 46 Ω

HUB AND KNUCKLE ASSEMBLY

REMOVAL AND INSTALLATION

Post-installation Operation

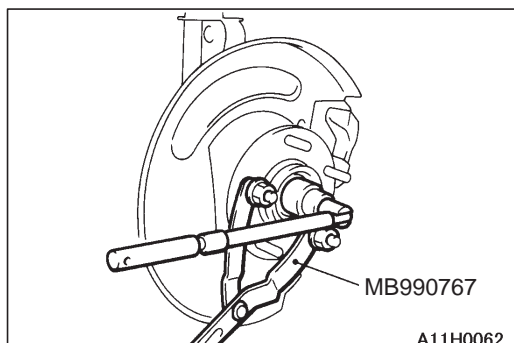
Press the Dust Cover with a Finger to Check Whether the Dust Cover is Cracked or Damaged.



AW0239AL

Removal steps

- | | | | |
|---------|--|-----|--|
| | 1. Disc brake assembly | ◀B▶ | 8. Tie rod end and hub/knuckle assembly connection |
| | 2. Brake disc | | 9. Drive shaft and hub/knuckle assembly connection |
| | 3. Wheel speed sensor <Vehicles with ABS> | ◀C▶ | 10. Strut assembly and hub/knuckle assembly connection |
| | 4. Dust cover | | 11. Hub/knuckle assembly |
| ◀A▶ ▶A▶ | 5. Castle nut | | |
| ◀B▶ ▶A▶ | 6. Washer | | |
| | 7. Lower arm and hub/knuckle assembly connection | | |

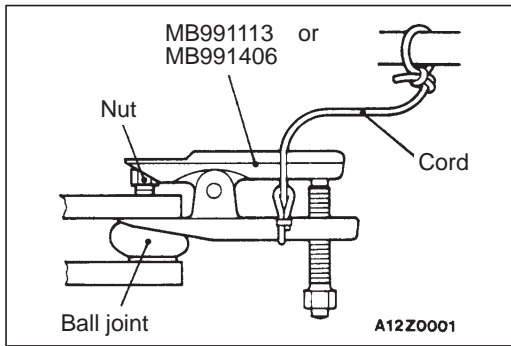


REMOVAL SERVICE POINTS

◀A▶ CASTLE NUT REMOVAL

Caution

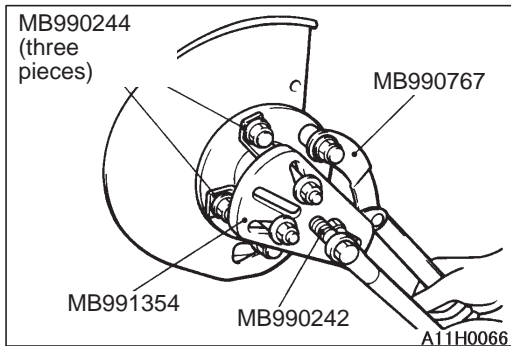
Never apply the vehicle weight to the wheel bearing while the castle nut is loosened. If the vehicle weight is applied, the wheel bearing will be damaged.



◀B▶ TIE ROD END/LOWER ARM REMOVAL

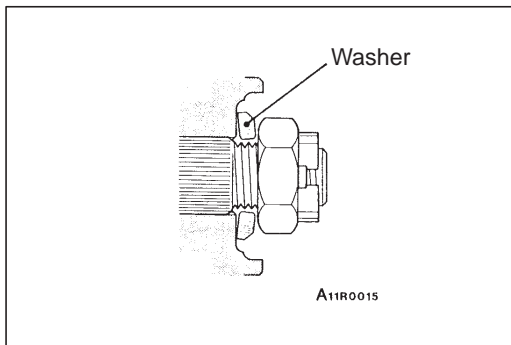
Caution

1. Only loosen the ball joint nut, but do not remove it. Use the special tool.
2. Suspend the special tool with a cord to prevent it from dropping.



◀C▶ DRIVE SHAFT REMOVAL

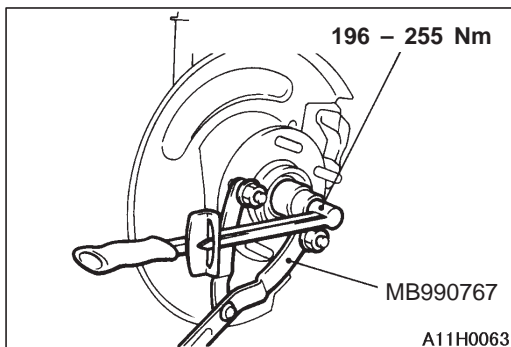
Use the special tools when the drive shaft can not be separated from the knuckle easily due to seizure.



INSTALLATION SERVICE POINTS

▶A◀ WASHER/CASTLE NUT INSTALLATION

1. Face the chamfered side of the washer against the castle nut.



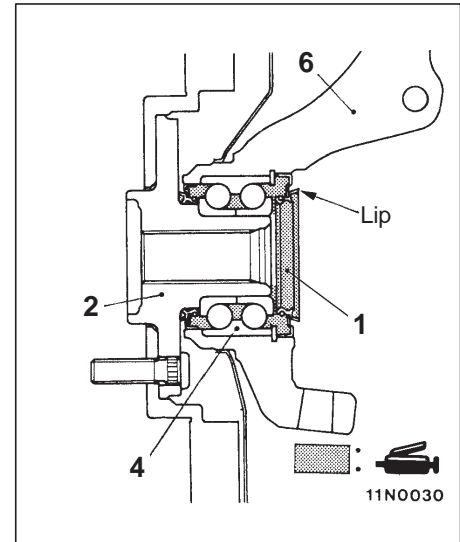
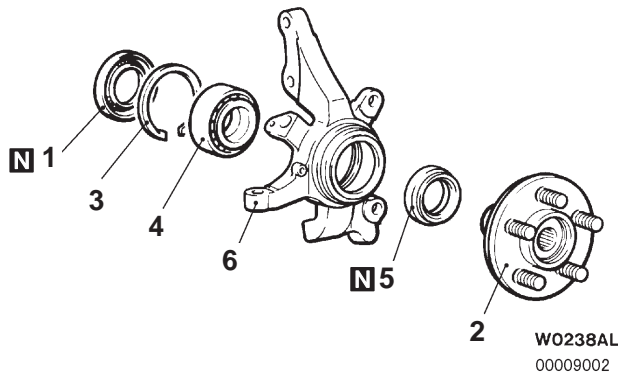
2. Use the special tool to tighten the castle nut securely.

Caution

Never apply the vehicle weight to the wheel bearing while the castle nut is loosened. If the vehicle weight is applied, the wheel bearing will be damaged.

3. If the split pin hole is not aligned with the castle nut slit, always tighten the nut further within a torque of 255 Nm, and assemble the split pin in the first aligned slit and the hole.

DISASSEMBLY AND REASSEMBLY

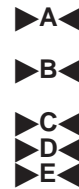


Disassembly steps

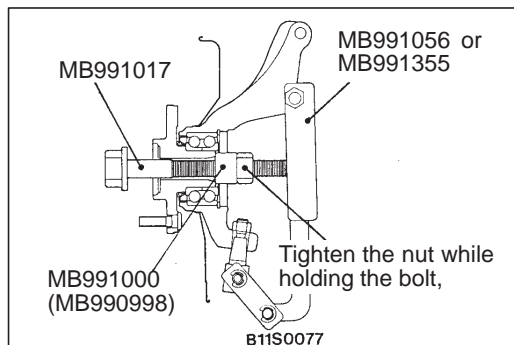


1. Inner oil seal
2. Hub
3. Snap ring
4. Wheel bearing
5. Outer oil seal
6. Knuckle

Reassembly steps



6. Knuckle
4. Wheel bearing
3. Snap ring
5. Outer oil seal
2. Hub
- Hub rotation starting torque check
- Wheel bearing axial play check
1. Inner oil seal

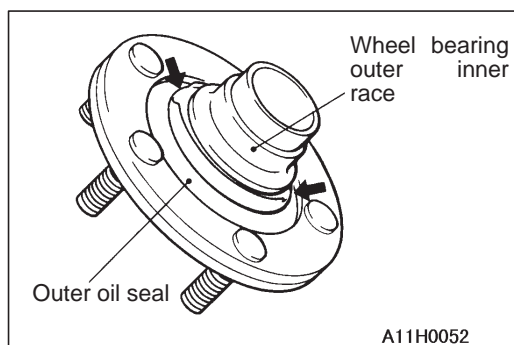


DISASSEMBLY SERVICE POINTS

◀A▶ HUB REMOVAL

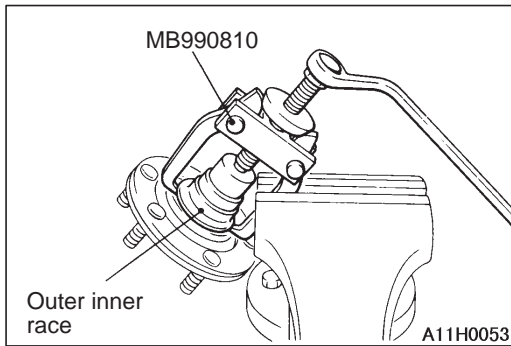
Caution

When the hub is removed, the wheel bearing may be damaged. Therefore, if the hub is withdrawn, the wheel bearing should be always be replaced with a new one.



◀B▶ WHEEL BEARING REMOVAL

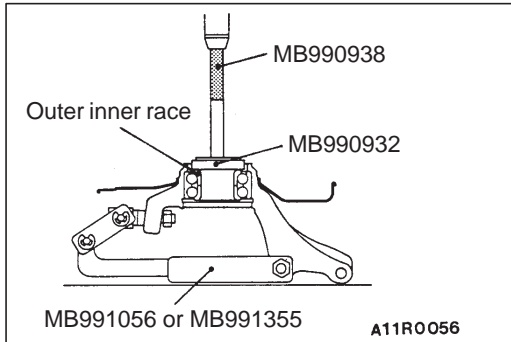
1. Pry the outer oil seal at the shown positions with a screwdriver so that the jaws of the special tool can hook the wheel bearing outer inner race.



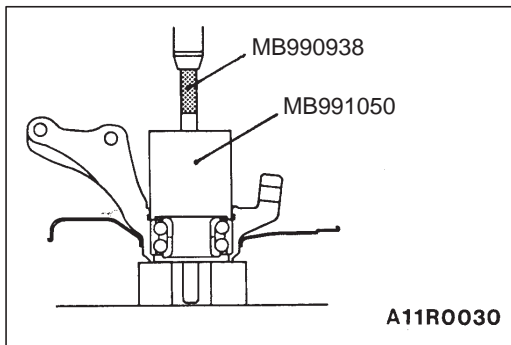
- Use the special tool to remove the wheel bearing outer inner race from the hub.

Caution

Be careful not to drop the hub when the outer inner race is pressed out.



- Assemble the removed outer inner race to the wheel bearing, and then use the special tools to remove the wheel bearing.

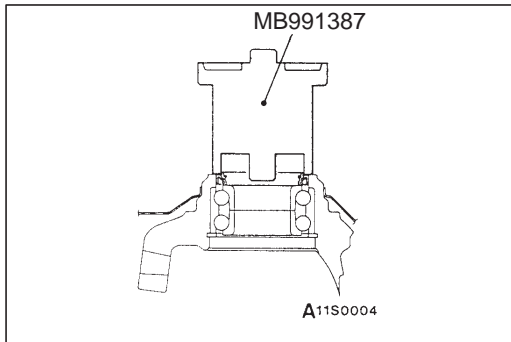


REASSEMBLY SERVICE POINTS

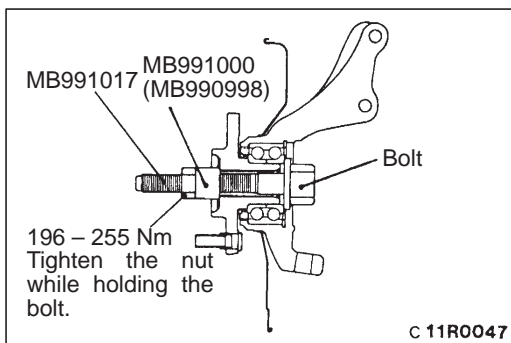
▶A◀ WHEEL BEARING INSTALLATION

Caution

When the wheel bearing is pressed in, its outer race should be pushed in.

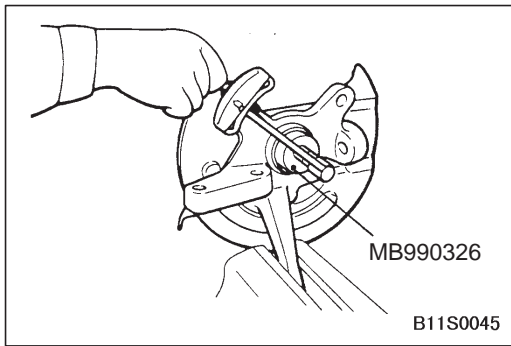


▶B◀ OUTER OIL SEAL INSTALLATION



▶C◀ HUB ROTATION STARTING TORQUE CHECK

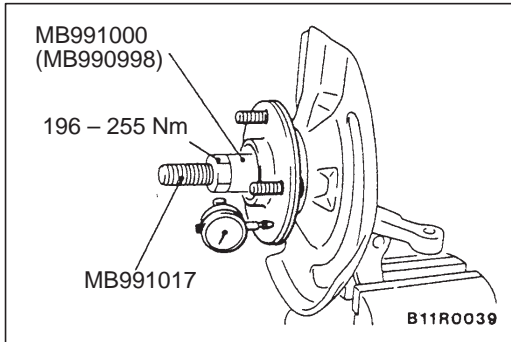
- Tighten the special tools to the specified torque to press the hub into the knuckle.
- Rotate the hub so that the hub is lubricated sufficiently.



- Use the special tool to measure the hub rotation starting torque.

Limit: within 1.6 Nm

- Make sure that the hub rotation starting torque is within the limit, and the hub turns smoothly.

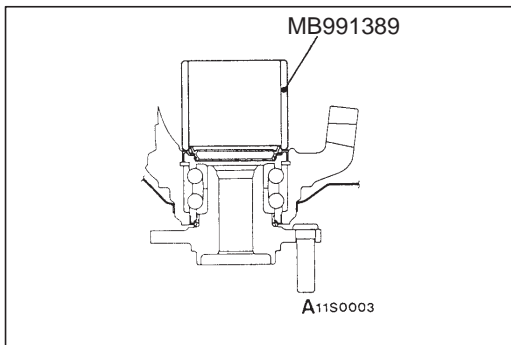


►D◄ WHEEL BEARING AXIAL PLAY CHECK

- Clamp the knuckle in a vise, and measure the axial play while moving the hub in the axial direction.

Limit: 0.2 mm

- If the limit value can not be obtained after tightening the special tool within 196 – 255 Nm, the wheel bearing, the knuckle and the hub may be improperly assembled. Disassemble these parts to replace the bearing, and then assemble them again.



►E◄ INNER OIL SEAL INSTALLATION

DRIVE SHAFT

REMOVAL AND INSTALLATION

Caution

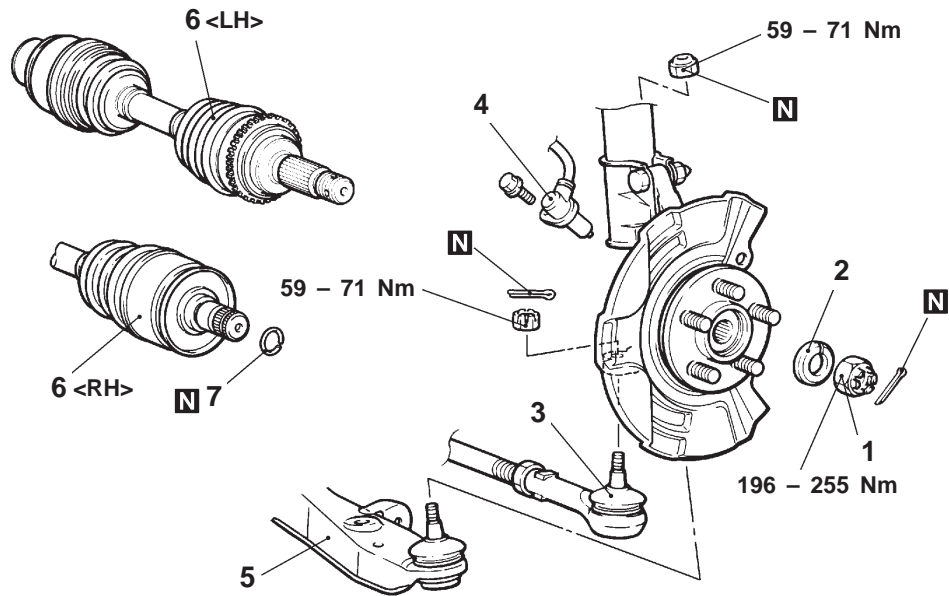
On the vehicles with ABS, when the drive shaft is removed or installed, be careful not to interfere with the ABS rotor installed to the B.J. outer race to prevent the rotor from damage.

Pre-removal Operation

- Disengage the Stabilizer Link from the Strut Bar (Refer to GROUP 33 – Strut Bar and Lower Arm.)
- Brake Disc Removal (Refer to P.26-14.)

Post-installation Operation

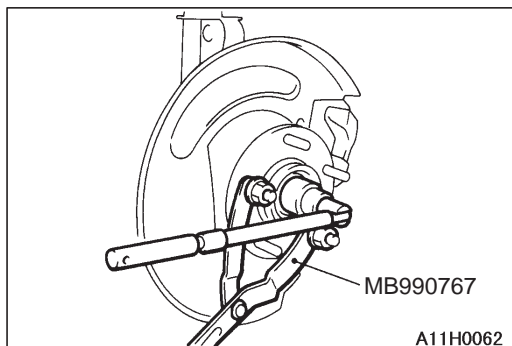
- Press the Dust Cover with a Finger to Check Whether the Dust Cover is Cracked or Damaged.
- Engage the Stabilizer Link with the Strut Bar (Refer to GROUP 33 – Strut Bar and Lower Arm.)
- Brake Disc Installation (Refer to P.26-14.)



AW0240AL

Removal steps

- | | | | |
|------------------------|---|--------------------|---|
| <p>◀A▶ ▶A▶
◀B▶</p> | <p>1. Castle nut
2. Washer
3. Tie rod end and hub/knuckle assembly connection
4. Wheel speed sensor</p> | <p>◀B▶
◀C▶</p> | <p>5. Lower arm and hub/knuckle assembly connection
6. Drive shaft
7. Circlip</p> |
|------------------------|---|--------------------|---|

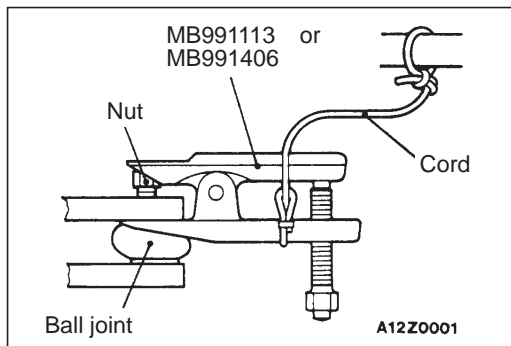


REMOVAL SERVICE POINTS

◀A▶ CASTLE NUT REMOVAL

Caution

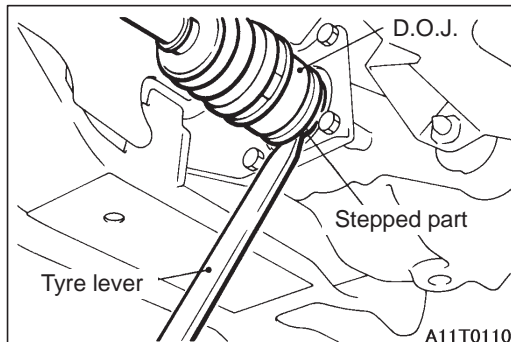
Never apply the vehicle weight to the wheel bearing while the castle nut is loosened. If the vehicle weight is applied, the wheel bearing will be damaged.



◀B▶ TIE ROD END AND HUB/KNUCKLE ASSEMBLY/LOWER ARM AND HUB/KNUCKLE ASSEMBLY DISCONNECTION

Caution

1. Only loosen the ball joint nut, but do not remove it. Use the special tool.
2. Tie the special tool with a cord not to let it fall off.



◀C▶ DRIVE SHAFT REMOVAL

1. For the left side drive shaft, pry the D.O.J. stepped part with a tyre lever, and then withdraw the drive shaft from the free-wheeling hub assembly.

Caution

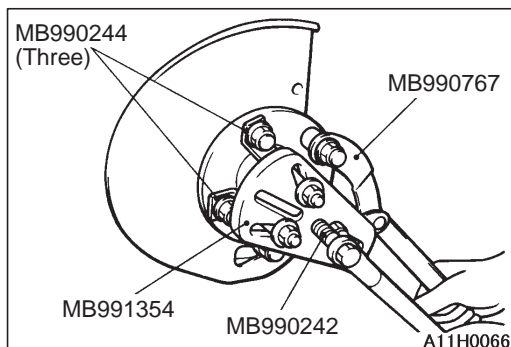
Always use a tyre lever. When the drive shaft is withdrawn from the B.J. assembly, the D.O.J. may be damaged.

2. For the right side drive shaft, install the drive shaft with the castle nut loosely. Then pull the strut, the hub/knuckle assembly and the lower arm towards you, and then withdraw the drive shaft from the front differential.

Caution

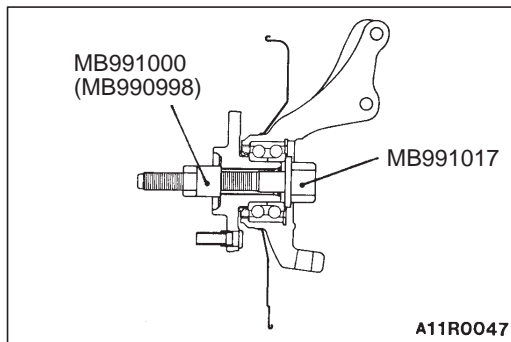
Be sure to maintain the drive shaft horizontally not to bend the D.O.J. at extreme angle when the drive shaft is withdrawn.

3. If it is difficult to withdraw the drive shaft from the hub/knuckle assembly, use the special tools.



Caution

Do not apply the vehicle weight to the wheel bearing as possible while the drive shaft is removed. If it is impossible, use the special tool to hold the the wheel bearing as shown in the illustration.



INSTALLATION SERVICE POINT

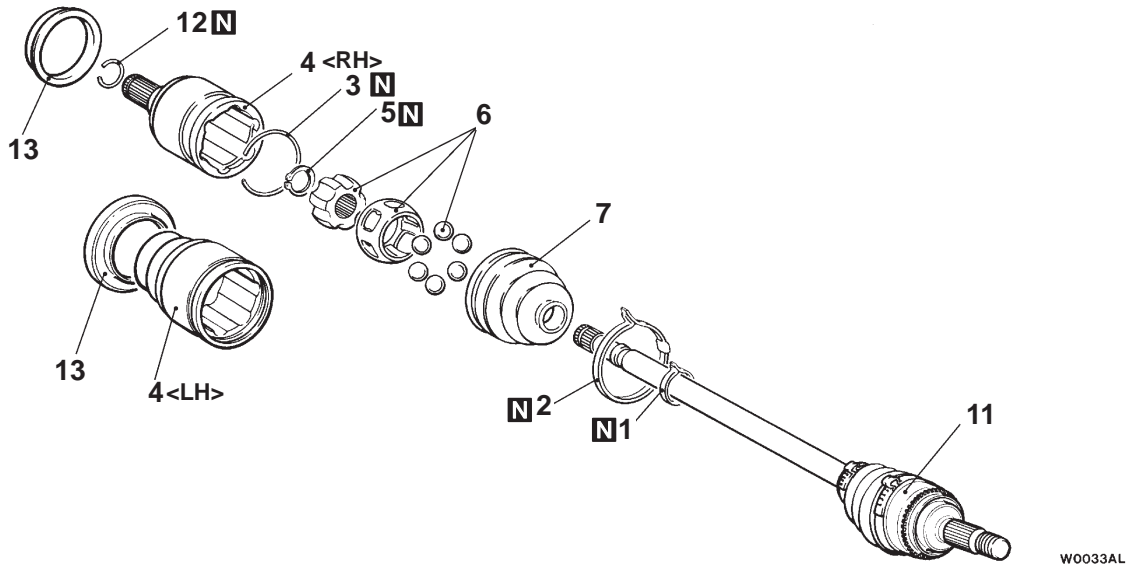
▶A◀ WASHER/CASTLE NUT INSTALLATION

Refer to P. 26-15.

DISASSEMBLY AND REASSEMBLY

Caution

The B.J. assembly is non-serviceable and requires replacement if defective. B.J. boot can be replaced.



<p>11W666</p>	<p>11Y106 11H0067 11X0142</p>
<p>Grease: Repair kit grease</p>	<p>Grease: Repair kit grease Quantity: <A/T> B.J.: 85 g (40 g for joint, 45 g for boot) D.O.J.: 85 g (50 g for joint, 35 g for boot) <M/T> B.J.: 110 g (55 g for joint, 55 g for boot) D.O.J.: 100 g (60 g for joint, 40 g for boot)</p>
<p>Caution The joint is filled with a special grease. Do not mix the grease with an old one or other grease.</p>	

<p>11H0090</p>	<p>11H0077</p>	<p>11H0076</p>
<p>B.J. boot repair kit</p>	<p>D.O.J. boot repair kit</p>	<p>D.O.J. repair kit</p>

Disassembly steps

1. D.O.J. boot band (small)
2. D.O.J. boot band (large)
3. Circlip
4. D.O.J. outer race
5. Snap ring
6. Inner race, cage, ball assembly



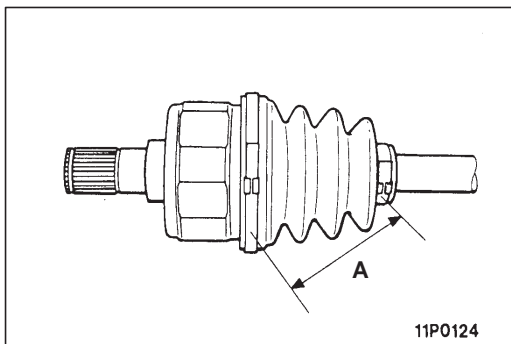
7. D.O.J. boot
8. B.J. boot band (small)
9. B.J. boot band (large)
10. B.J. boot
11. B.J. assembly
12. Circlip
13. Dust cover

DISASSEMBLY SERVICE POINT**◀A▶ D.O.J. BOOT REMOVAL**

Wrap a plastic tape around the B.J. assembly spline to prevent the boot from damage.

REASSEMBLY SERVICE POINTS**▶A◀ D.O.J. BOOT INSTALLATION**

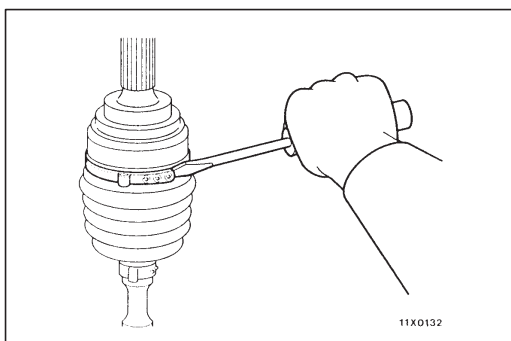
Wrap a plastic tape around the B.J. assembly spline to prevent damage, and then install the boot.

**▶B◀ D.O.J. BOOT BAND/BOOT BAND INSTALLATION**

1. Slide the D.O.J. outer race so that the distance between the boot bands meet the standard value in order to adjust the air amount inside the D.O.J. boot.

Standard value (A): 80 ± 3 mm

2. Remove the boot partially from the D.O.J. outer race in order to bleed the air from the boot.

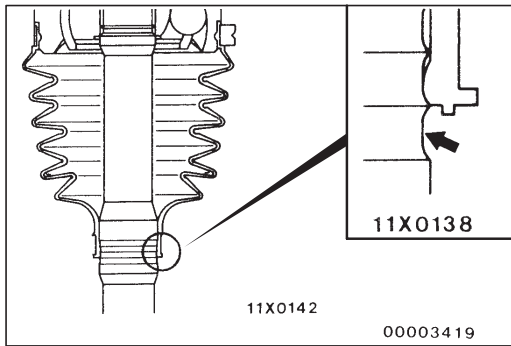
**B.J. BOOT (PLASTIC BOOT) REPLACEMENT**

1. Remove the boot bands (small and large).

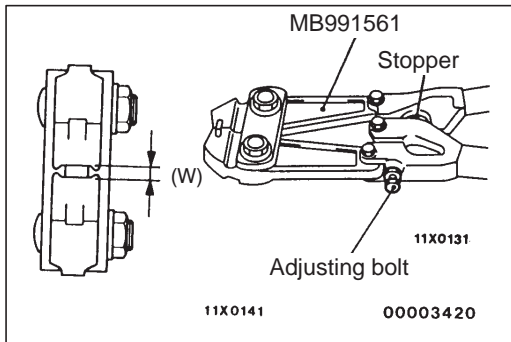
NOTE

The boot bands are non-reusable parts.

2. Remove the plastic boot.



3. Position the plastic boot small end so that one drive shaft groove is visible.



4. Turn the adjusting bolt of the special tool so that the opening distance (W) meets the standard value.

Standard value (W): 2.9 mm

<More than 2.9 mm>

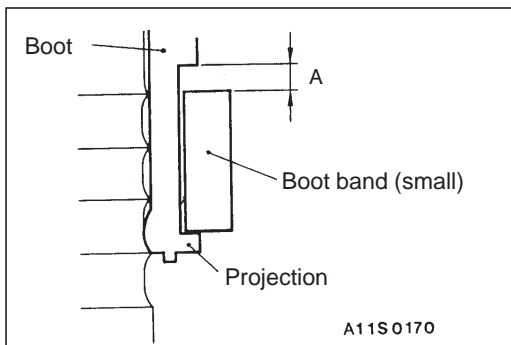
Tighten the adjusting bolt.

<Less than 2.9 mm>

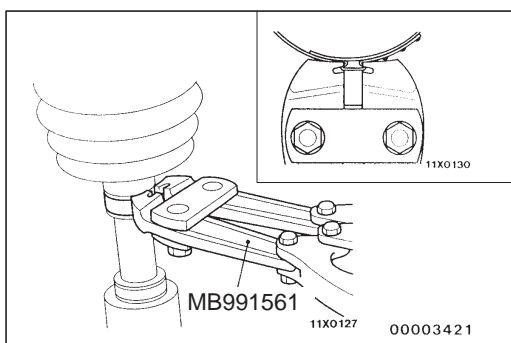
Loosen the adjusting bolt

NOTE

- (1) Turning the adjusting bolt changes the opening distance (W) by approx. 0.7 mm.
- (2) Do not turn the adjusting bolt more than one turn.



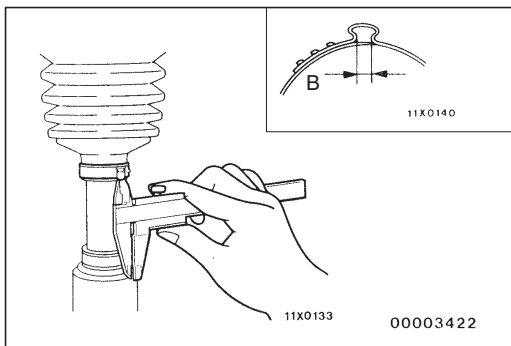
5. Butt the boot band (small) against the boot end projection so that a certain clearance (A) is obtained.



6. Use the special tool to crimp the boot band (small).

Caution

- (1) Secure the drive shaft in an upright position and clamp the part of the B.J. boot band to be crimped securely in the jaws of the special tool.
- (2) Crimp the B.J. boot band until the special tool stopper closes.



7. Check that the crimping amount (B) of the B.J. boot band is at the standard value.

Standard value (B): 2.4 – 2.8 mm

<If the crimping amount is larger than 2.8 mm>
Readjust the value of (W) in step 4 according to the following formula, and then repeat the operation in step 6.

$$W = 5.5 \text{ mm} - B$$

Example: If B = 2.9 mm, then W = 2.6 mm.

<If the crimping amount is smaller than 2.4 mm>
Remove the B.J. boot band, readjust the value of (W) in step 4 according to the following formula, and then repeat the operations in steps 5 and 6 using a new B.J. boot band.

$$W = 5.5 \text{ mm} - B$$

Example: If B = 2.3 mm, then W = 3.2 mm.

8. Check that the B.J. boot band is not sticking out past the place where it has been installed.
If the B.J. boot band is sticking out, remove it and then repeat the operations in steps 4 to 7 using a new B.J. boot band.

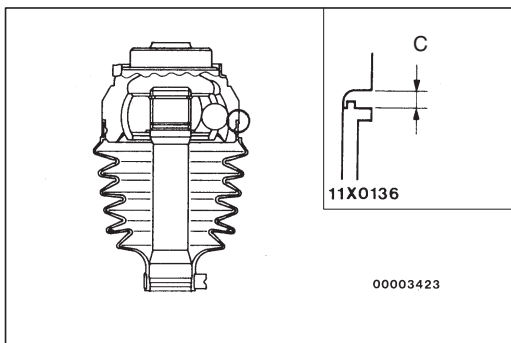
9. Fill the inside of the B.J. boot with the specified amount of the specified grease.

Specified grease: Repair kit grease

Amount to use:

<A/T> 85 g (50 g for joint, 35 g for boot)

<M/T> 110 g (55 g for joint, 55 g for boot)

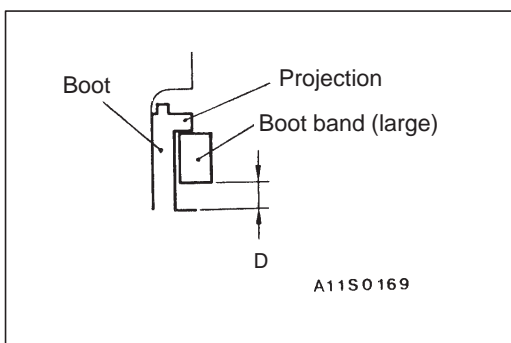


10. Position the boot so that the difference between the boot big end and the housing stepped part (C) meets the standard value.

Standard value (C): 0.1 – 1.55 mm

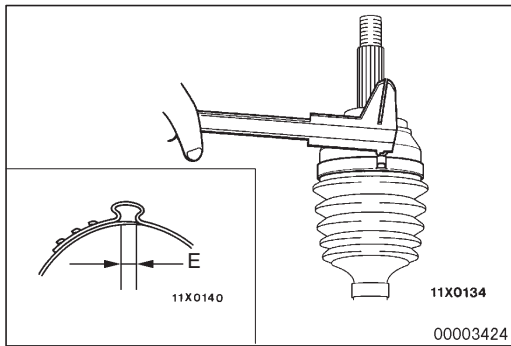
11. Follow the same procedure as in step 4 to adjust the size of the opening (W) on the special tool so that it is at the standard value.

Standard value (W): 3.2 mm



12. Place the B.J. boot band (large) against the projection at the edge of the boot, and then secure it so that there is a clearance left as shown by (D) in the illustration.

13. Use the special tool to crimp the B.J. boot band (large) in the same way as in step 6.



14. Check that the crimping amount (E) of the B.J. boot band is at the standard value.

Standard value (E): 2.4 – 2.8 mm

<If the crimping amount is larger than 2.8 mm>
Readjust the value of (W) in step 11 according to the following formula, and then repeat the operation in step 13.

$$W = 5.8 \text{ mm} - E$$

Example: If E = 2.9 mm, then W = 2.9 mm.

<If the crimping amount is smaller than 2.4 mm>
Remove the B.J. boot band, readjust the value of (W) in step 11 according to the following formula, and then repeat the operations in steps 12 and 13 using a new B.J. boot band.

$$W = 5.8 \text{ mm} - E$$

Example: If E = 2.3 mm, then W = 3.5 mm.

15. Check that the B.J. boot band is not sticking out past the place where it has been installed.

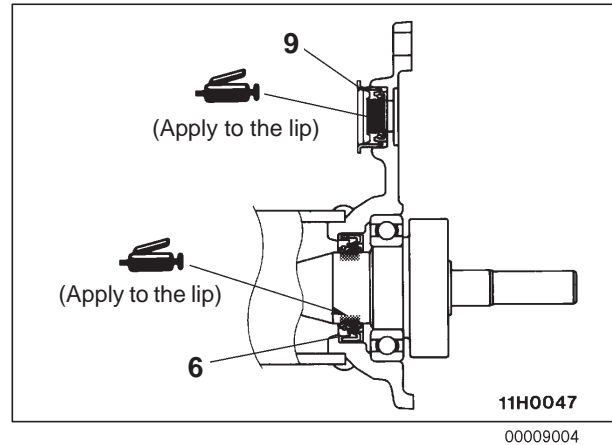
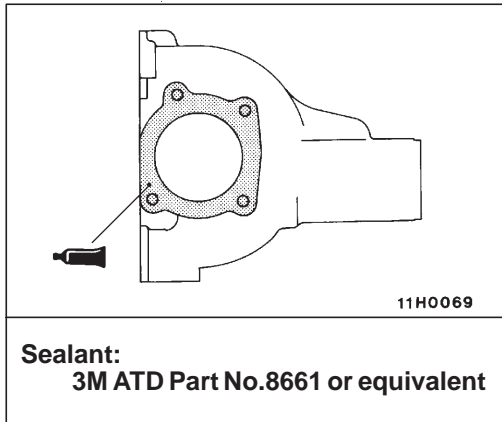
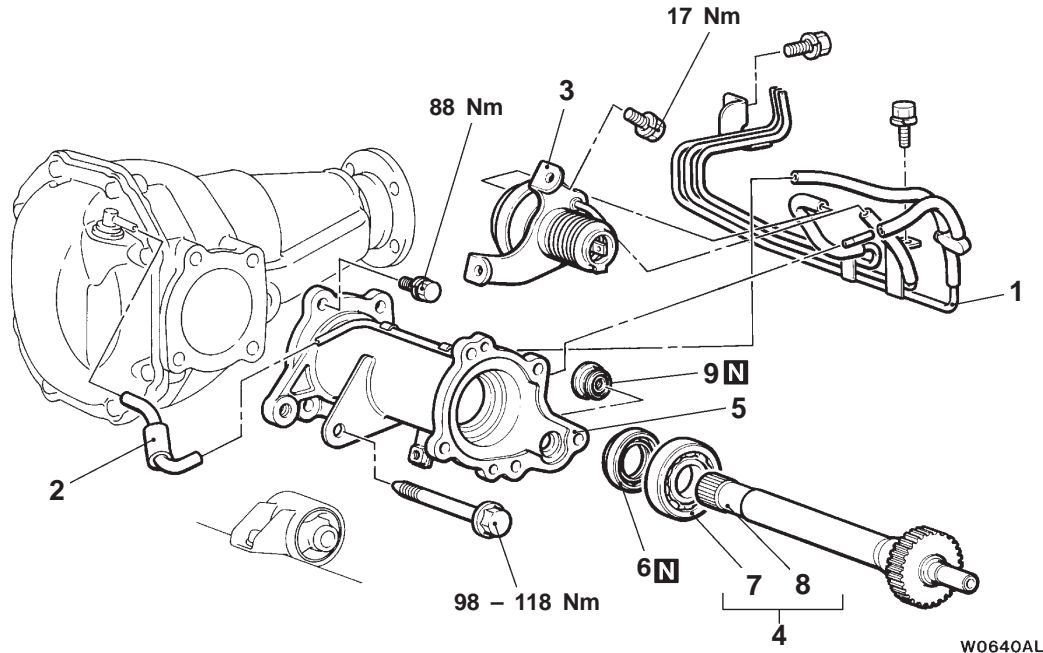
If the B.J. boot band is sticking out, remove it and then repeat the operations in steps 12 to 14 using a new B.J. boot band.

MAIN SHAFT

REMOVAL AND INSTALLATION

Pre-removal and Post-installation Operation

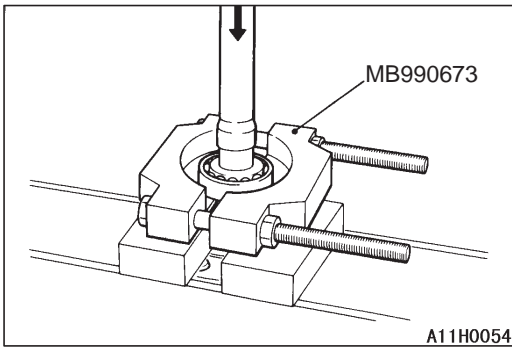
- Drive Shaft Removal and Installation (Refer to P.26-19.)
- Free-wheeling Clutch Housing Assembly Removal and Installation (Refer to P.26-45.)
- Gear Oil Draining and Refilling (Refer to P.26-11.)



Removal steps

1. Vacuum pipe assembly
2. Vacuum hose assembly
3. Vacuum actuator assembly
4. Inner shaft assembly
5. Front housing assembly

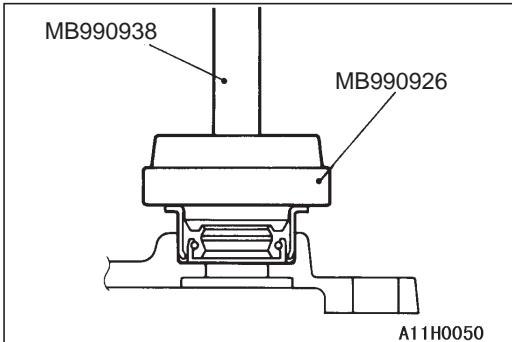




REMOVAL SERVICE POINT

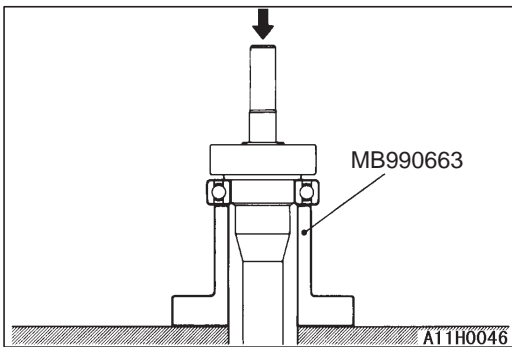
◀A▶ BEARING REMOVAL

Install the special tool as shown in the illustration, and use a press to drive out the bearing from the main shaft.

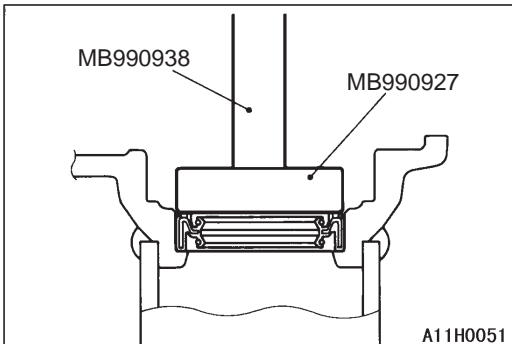


INSTALLATION SERVICE POINTS

▶A◀ OIL SEAL INSTALLATION



▶B◀ BEARING INSTALLATION



▶C◀ OIL SEAL INSTALLATION

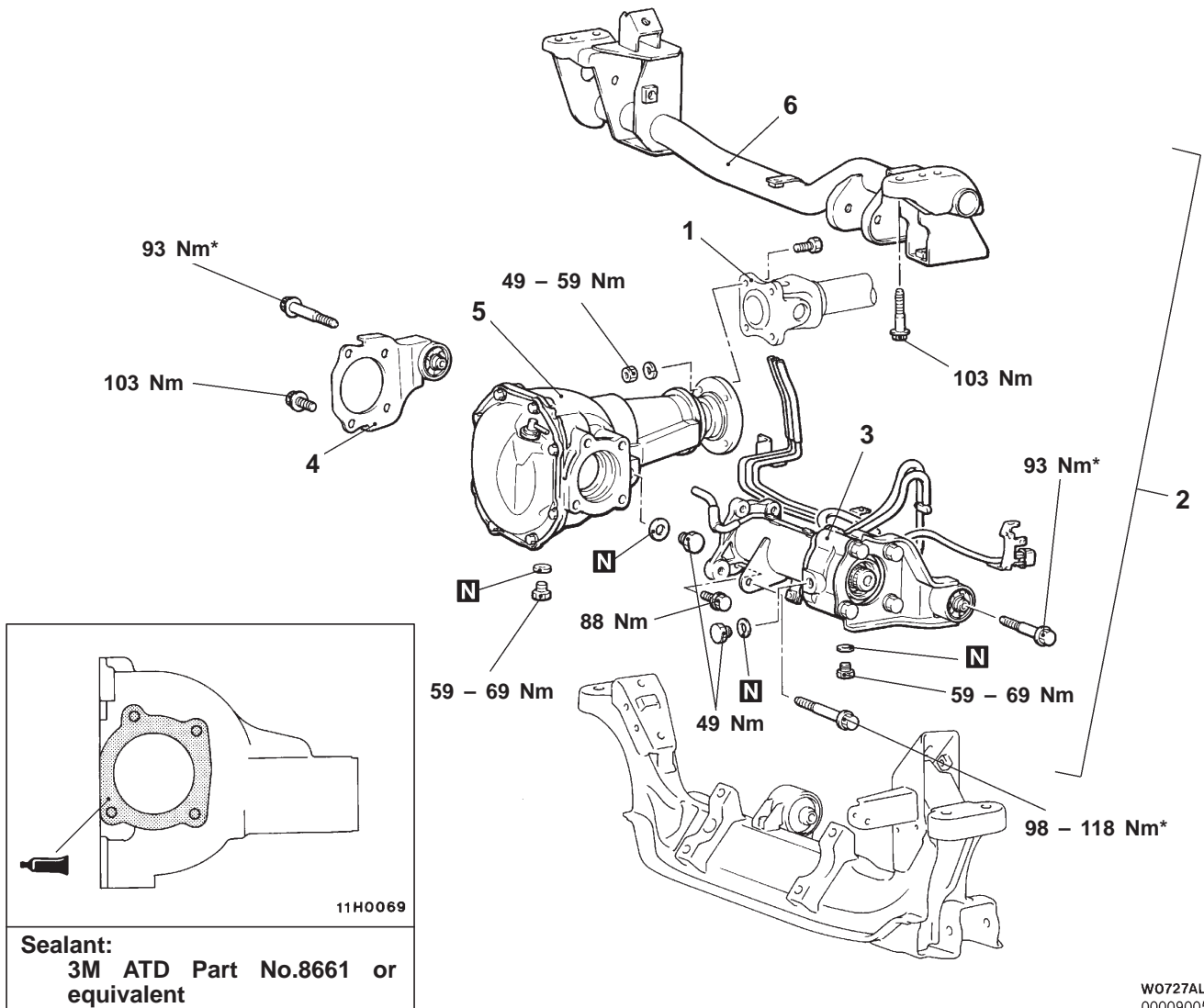
DIFFERENTIAL CARRIER

REMOVAL AND INSTALLATION

Caution

To prevent bushings from breakage, the parts indicated by * should be temporarily tightened, and then fully tightened with the vehicle on the ground in the unladen condition.

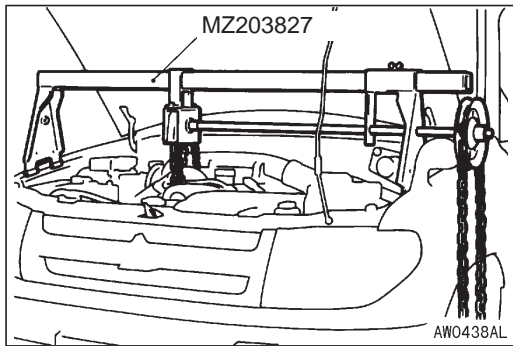
- | | |
|---|---|
| Pre-removal and Post-installation Operation | |
| <ul style="list-style-type: none"> • Drive Shaft Removal and Installation (Refer to P.26-19.) • Stabilizer Bar Removal and Installation (Refer to GROUP 33A.) | <ul style="list-style-type: none"> • Gear Oil Draining and Refilling (Refer to P.26-11.) |



W0727AL
0009005

Removal steps

- | | |
|---|--|
| <p>◀A▶</p> <ul style="list-style-type: none"> • Support the Engine Assembly 1. Front propeller shaft connection 2. Front differential assembly and differential mount crossmember assembly 3. Free-wheeling clutch assembly | <ul style="list-style-type: none"> 4. Differential mount bracket assembly <RH> 5. Differential carrier 6. Differential mount crossmember assembly |
|---|--|

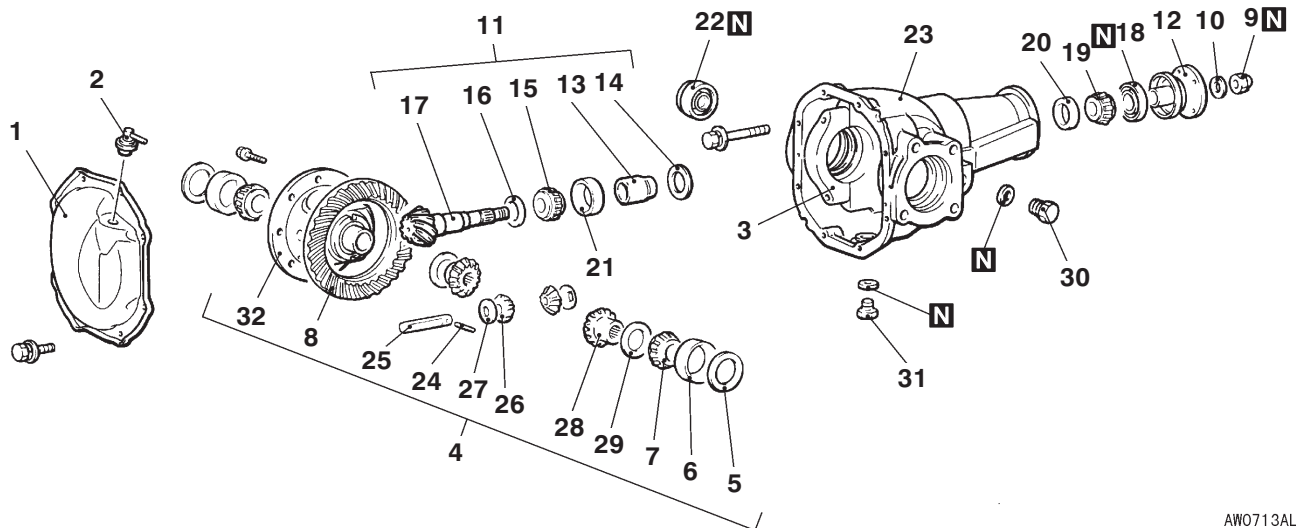


REMOVAL SERVICE POINT

◀A▶ ENGINE ASSEMBLY SUPPORT

Use the special tool to raise the engine assembly until the mount insulators are free from load.

DISASSEMBLY



AW0713AL

Disassembly steps

● Inspection before disassembly

◀A▶

- 1. Cover
- 2. Vent plug
- 3. Bearing cap
- 4. Differential case assembly

◀B▶

◀C▶

◀D▶

- 5. Side bearing spacer
- 6. Side bearing outer race
- 7. Side bearing inner race
- 8. Drive gear
- 9. Self-locking nut
- 10. Washer
- 11. Drive pinion assembly
- 12. Companion flange
- 13. Drive pinion spacer
- 14. Drive pinion rear shim
(For drive pinion rotation torque adjustment)

◀F▶

- 15. Drive pinion front bearing inner race

◀G▶

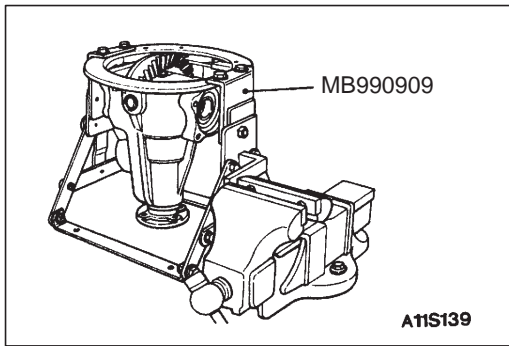
◀G▶

◀G▶

◀H▶

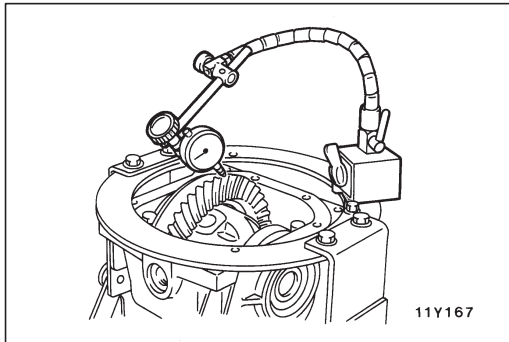
◀I▶

- 16. Drive pinion front shim
(For drive pinion height adjustment)
- 17. Drive pinion
- 18. Oil seal
- 19. Drive pinion rear bearing inner race
- 20. Drive pinion rear bearing outer race
- 21. Drive pinion front bearing outer race
- 22. Oil seal
- 23. Differential carrier
- 24. Lock pin
- 25. Pinion shaft
- 26. Pinion gear
- 27. Pinion washer
- 28. Side gear
- 29. Side gear spacer
- 30. Filler plug
- 31. Drain plug
- 32. Differential case



INSPECTION BEFORE DISASSEMBLY

1. Remove the cover.
2. Hold the special tool in a vise, and install the differential carrier assembly to the special tool.

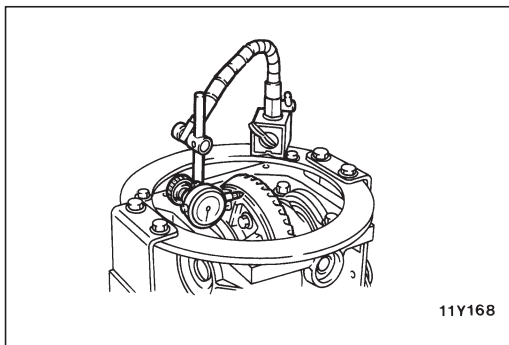


DRIVE GEAR BACKLASH

1. With the drive pinion locked in place, use a dial gauge to measure the drive gear backlash in four or more places on the drive gear.

Standard value: 0.11 – 0.16 mm

2. If the backlash is not within the standard value, adjust the backlash of the final drive gear (Refer to P.26-42).
3. After adjustment, inspect the drive gear tooth contact.

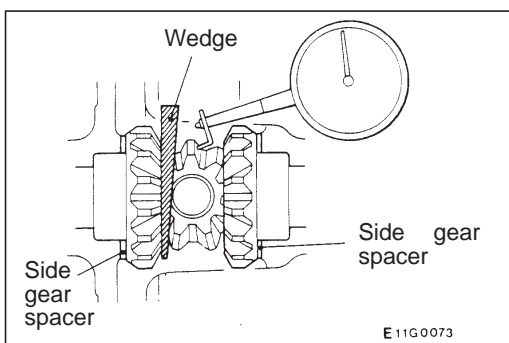


DRIVE GEAR RUNOUT

1. Measure the drive gear runout at the shoulder on the reverse side of the drive gear.

Limit: 0.05 mm

2. When runout exceeds the limit value, check for foreign object between drive gear rear side and differential case, or for loose drive gear installation bolts.
3. When check (2) gives normal results, reposition drive gear and differential case and remeasure.
4. If adjustment is impossible, replace differential case, or replace drive gear and pinion as a set.



DIFFERENTIAL GEAR BACKLASH

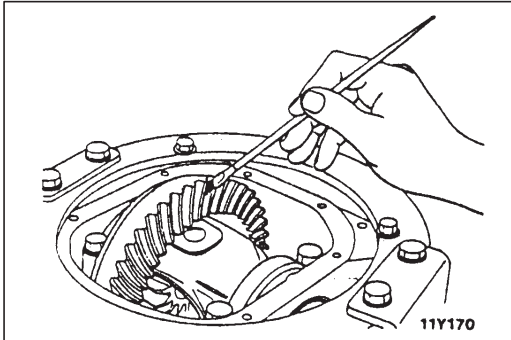
1. While locking the side gear with the wedge, measure the differential gear backlash with a dial indicator on the pinion gear.

Standard value: 0 – 0.076 mm

Limit: 0.2 mm

Repeat the same procedure for other pinion gear.

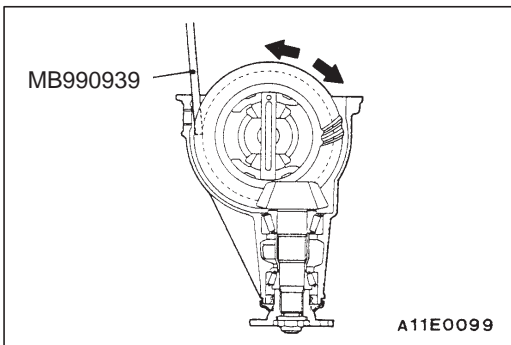
2. If the backlash exceeds the limit, adjust the differential gear backlash (Refer to P.26-41).
3. If adjustment is impossible, replace the side gear and pinion gear as a set.



DRIVE GEAR TOOTH CONTACT

Check the tooth contact of drive gear by following the steps below.

1. Apply a thin, uniform coat of machine blue to both surfaces of the drive gear teeth.

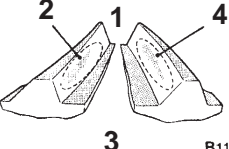
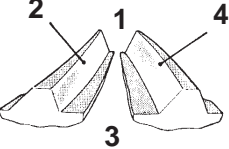
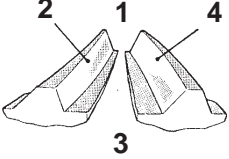
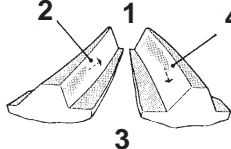
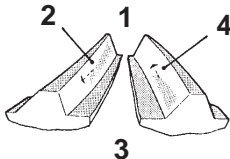


2. Insert the special tool between the differential carrier and the differential case, and then rotate the companion flange by hand (once in the normal direction, and then once in the reverse direction) while applying a load to the drive gear so that the revolution torque (approximately 2.5 – 2.9 Nm) is applied to the drive pinion.

Caution

If the drive gear is rotated too much, the tooth contact pattern will become unclear and difficult to check.

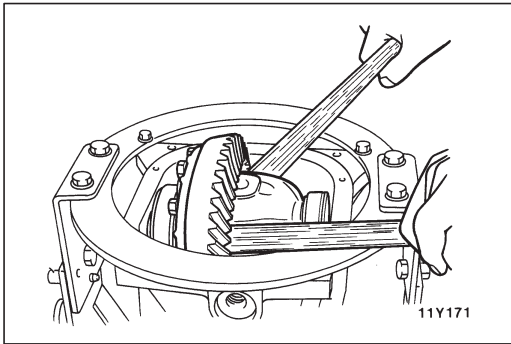
3. Check the tooth contact condition of the drive gear and drive pinion.

Standard tooth contact pattern	Problem	Solution
<p>1 Narrow tooth side 2 Drive-side tooth surface (the side applying power during forward movement) 3 Wide tooth side 4 Coast-side tooth surface (the side applying power during reverse movement)</p>  <p style="text-align: right;">B11W0115</p>	<p>Tooth contact pattern resulting from excessive pinion height</p>  <p style="text-align: right;">B11W0116</p> <p>The drive pinion is positioned too far from the centre of the drive gear.</p>	 <p style="text-align: right;">B11W0118</p> <p>Increase the thickness of the drive pinion rear shim, and position the drive pinion closer to the centre of the drive gear. Also, for backlash adjustment, position the drive gear farther from the drive pinion.</p>
	<p>Tooth contact pattern resulting from insufficient pinion height.</p>  <p style="text-align: right;">B11W0117</p> <p>The drive pinion is positioned too close to the centre of the drive gear.</p>	 <p style="text-align: right;">B11W0119</p> <p>Decrease the thickness of the drive pinion rear shim, and position the drive pinion farther from the centre of the drive gear. Also, for backlash adjustment, position the drive gear closer to the drive pinion.</p>

NOTE

Checking the tooth contact pattern is the way to confirm that the adjustments of the pinion height and backlash have been done properly. Continue to adjust the pinion height and backlash until the tooth contact pattern resembles the standard pattern.

If, even after adjustments have been made, the correct tooth contact pattern cannot be obtained, it means that the drive gear and the drive pinion have become worn beyond the allowable limit. Replace the gear set.



DISASSEMBLY SERVICE POINTS

◀A▶ DIFFERENTIAL CASE ASSEMBLY REMOVAL

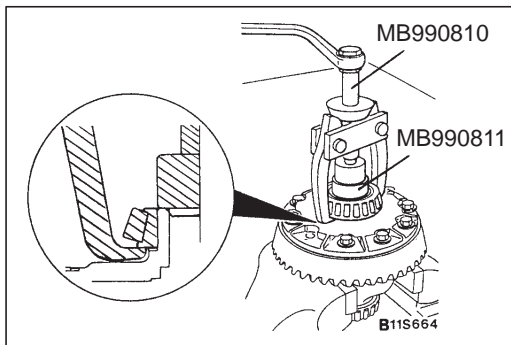
Remove the differential case assembly with a hammer handle or the like.

Caution

When taking out the differential case assembly, be careful not to drop and damage the side bearing outer races.

NOTE

Keep the right and left side bearing outer races and side bearing spacers separate, so that they do not become mixed at the time of reassembly.

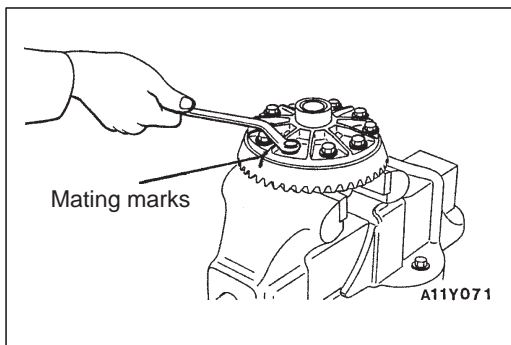


◀B▶ SIDE BEARING INNER RACE REMOVAL

NOTE

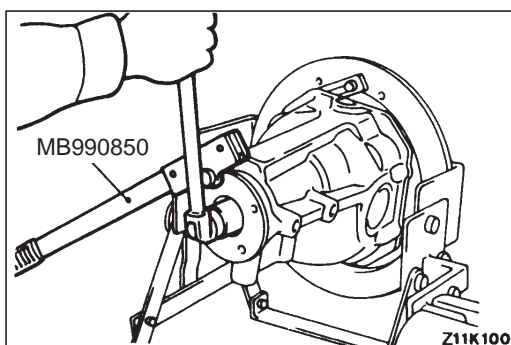
There are two notches provided (at the differential case side) for the jaws of the special tool; use the special tool at that position.

If the special tool jaws cannot be inserted between the differential case and the bearing inner race, file the jaw tips as necessary.

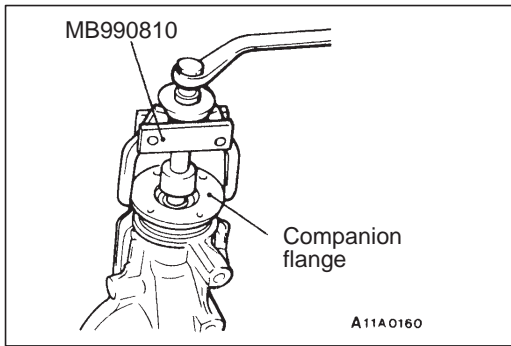


◀C▶ DRIVE GEAR REMOVAL

1. Make the mating marks on the differential case and the drive gear.
2. Loosen the drive gear attaching bolts in diagonal sequence to remove the drive gear.



◀D▶ SELF-LOCKING NUT REMOVAL



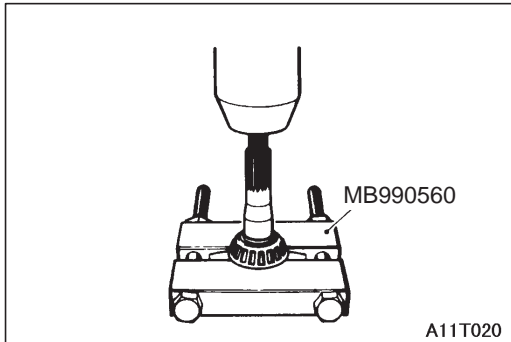
◀E▶ DRIVE PINION ASSEMBLY REMOVAL

1. Make mating marks on the drive pinion and the companion flange.

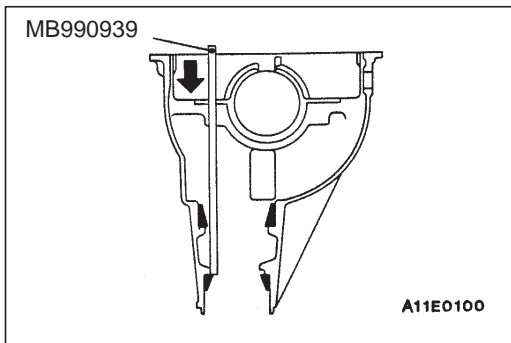
Caution

The mating mark must not be on the coupling surface of the companion flange and the front propeller shaft.

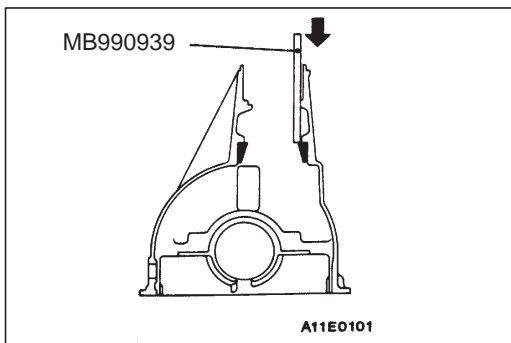
2. Use the special tool to drive out the drive pinion.



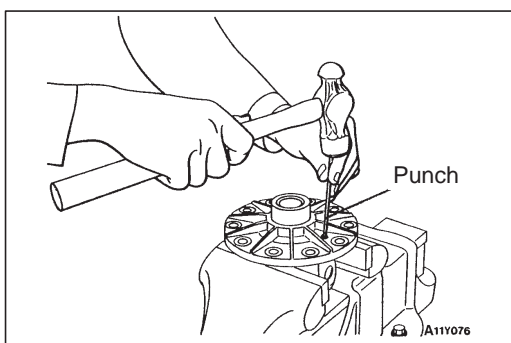
◀F▶ DRIVE PINION FRONT BEARING INNER RACE REMOVAL



◀G▶ OIL SEAL/DRIVE PINION REAR BEARING INNER RACE/DRIVE PINION REAR BEARING OUTER RACE REMOVAL

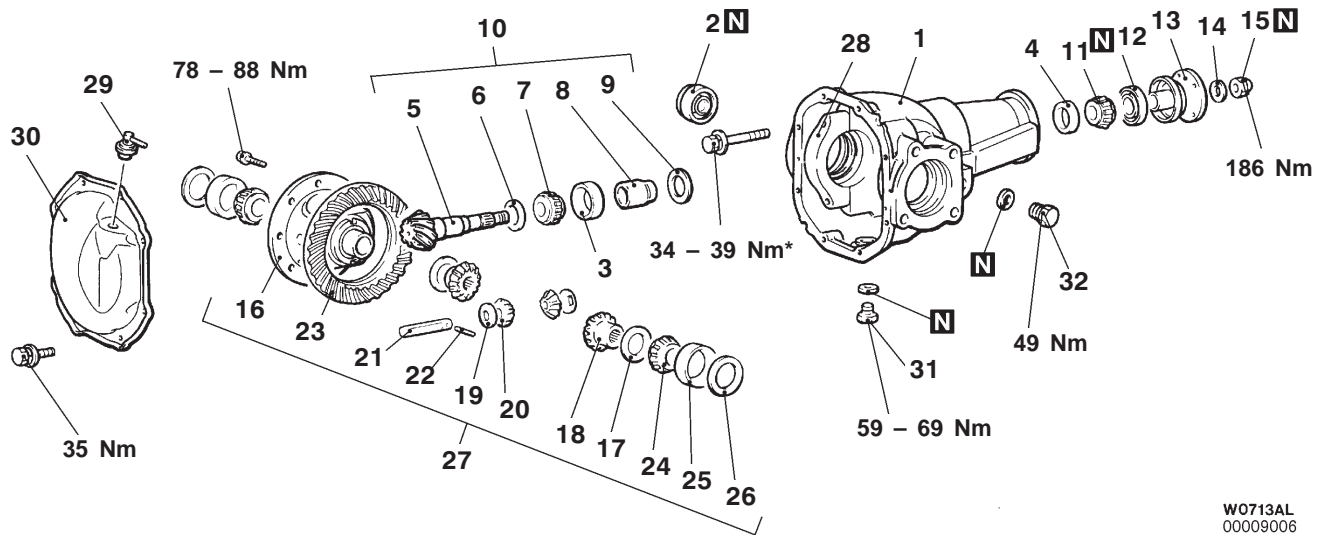
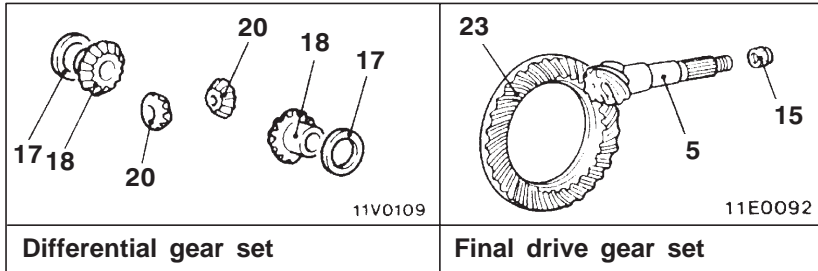


◀H▶ DRIVE PINION FRONT BEARING OUTER RACE REMOVAL



◀I▶ LOCK PIN DRIVE OUT

REASSEMBLY



W0713AL
00009006

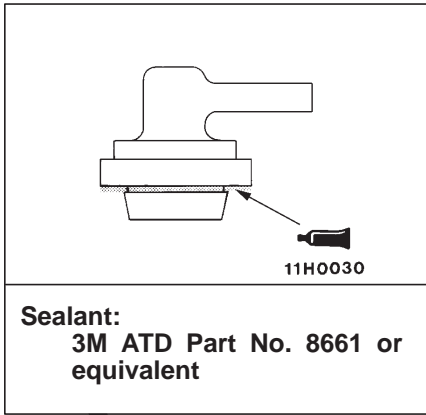
Reassembly steps

- | | |
|---|---|
| <p>▶A◀ 1. Differential carrier</p> <p>▶B◀ 2. Oil seal</p> <p>▶C◀ 3. Drive pinion front bearing outer race</p> <p>▶D◀ 4. Drive pinion rear bearing outer race</p> <p>▶D◀ ● Drive pinion height adjustment</p> <p>5. Drive pinion</p> <p>6. Drive pinion front shim (for drive pinion height adjustment)</p> <p>7. Drive pinion front bearing inner race</p> <p>8. Drive pinion spacer</p> <p>▶E◀ ● Drive pinion rotation torque adjustment</p> <p>9. Drive pinion rear shim (for drive pinion rotation torque adjustment)</p> <p>10. Drive pinion assembly</p> <p>11. Drive pinion rear bearing inner race</p> <p>12. Oil seal</p> <p>13. Companion flange</p> <p>14. Washer</p> | <p>15. Self-locking nut</p> <p>16. Differential case</p> <p>▶F◀ ● Differential gear backlash adjustment</p> <p>17. Side gear spacer</p> <p>18. Side gear</p> <p>19. Pinion washer</p> <p>20. Pinion gear</p> <p>21. Pinion shaft</p> <p>▶G◀ 22. Lock pin</p> <p>▶H◀ 23. Drive gear</p> <p>▶I◀ 24. Side bearing inner race</p> <p>▶I◀ 25. Side bearing outer race</p> <p>▶J◀ ● Final drive gear backlash adjustment</p> <p>26. Side bearing spacer</p> <p>27. Differential case assembly</p> <p>28. Bearing cap</p> <p>29. Vent plug</p> <p>30. Cover</p> <p>31. Drain plug</p> <p>32. Filler plug</p> |
|---|---|

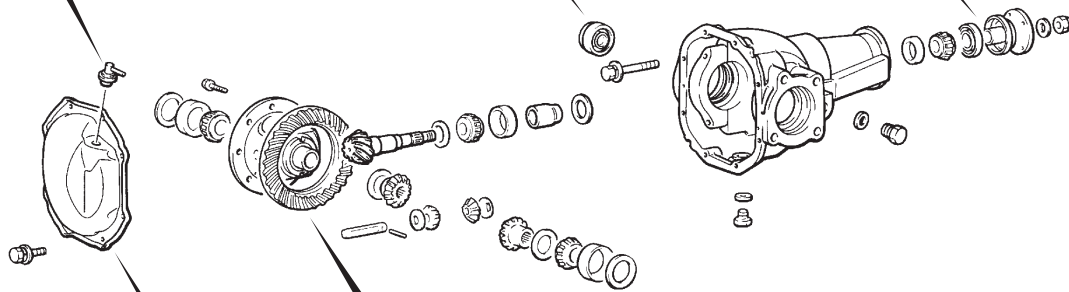
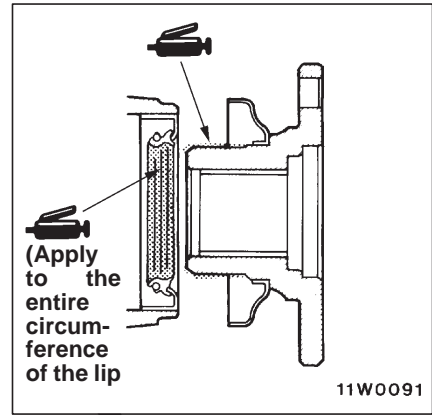
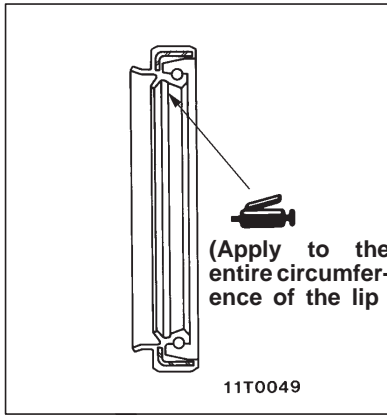
NOTE

The fasteners marked by * should be tightened when the differential gear oil is applied.

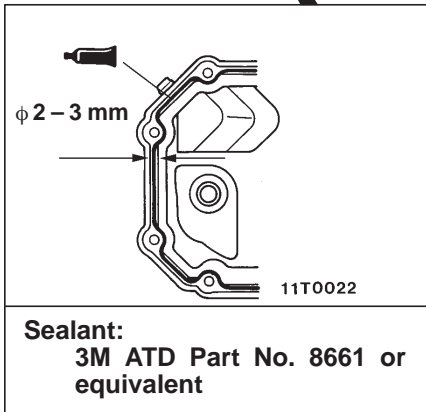
LUBRICATION, SEALANT AND ADHESIVE POINTS



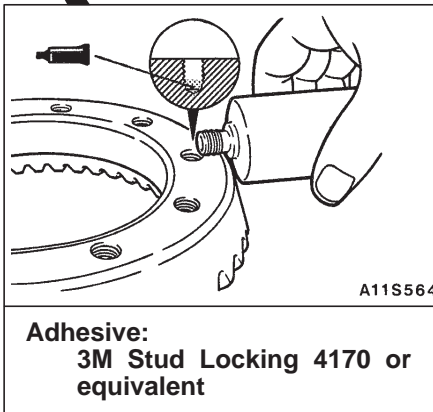
Sealant:
3M ATD Part No. 8661 or equivalent



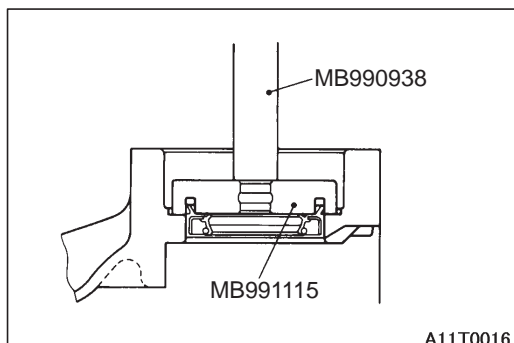
W0713AL



Sealant:
3M ATD Part No. 8661 or equivalent

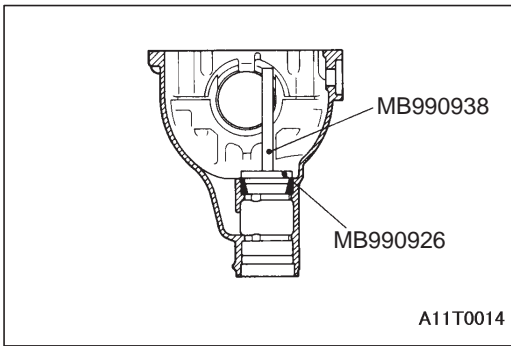


Adhesive:
3M Stud Locking 4170 or equivalent

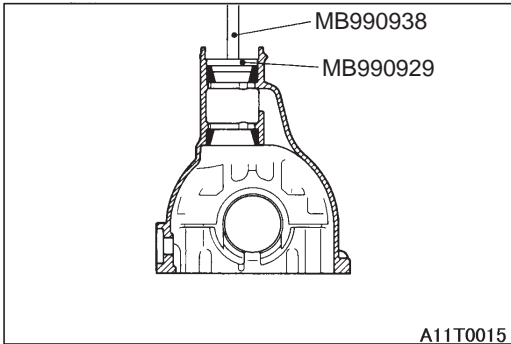


REASSEMBLY SERVICE POINTS

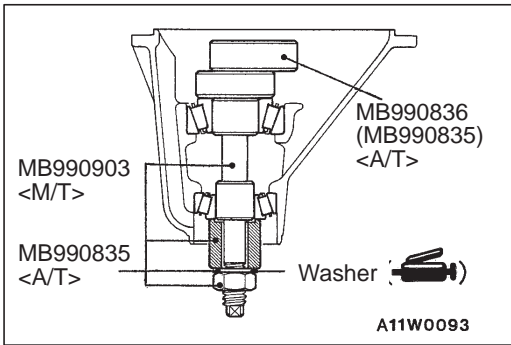
▶A◀ OIL SEAL INSTALLATION



►B◄ DRIVE PINION FRONT BEARING OUTER RACE INSTALLATION



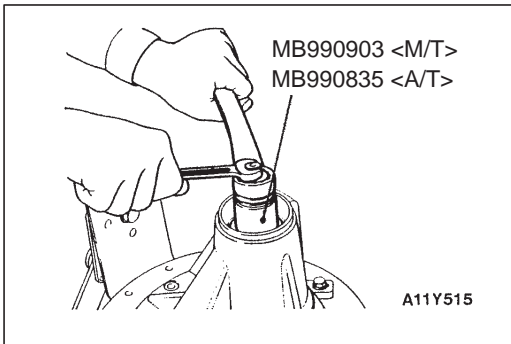
►C◄ DRIVE PINION REAR BEARING OUTER RACE INSTALLATION



►D◄ DRIVE PINION HEIGHT ADJUSTMENT

Adjust the drive pinion height by the following procedure.

1. Apply multipurpose grease to the washer of the special tool.
2. Install the special tool, drive pinion front and rear bearing inner races to the gear carrier.



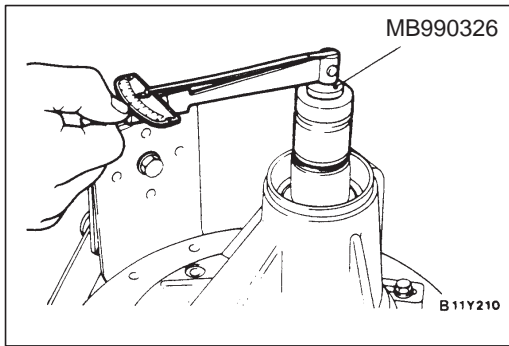
3. Tighten the nut of the special tool while measuring the rotation torque of the drive pinion. Gradually keep tightening the nut of the special tool until the rotation torque of the drive pinion (without oil seal) is at the standard value.

Standard value:

Bearing division	Bearing lubrication	Rotation torque Nm
New	None (With anti-rust agent)	0.88 – 1.17*1 0.29 – 0.49*2
New or reused	Gear oil applied	0.39 – 0.49*1 0.147 – 0.245*2

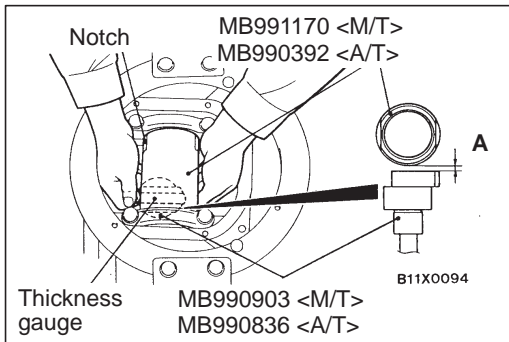
NOTE

- *1: A/T
- *2: M/T



NOTE

The special tool cannot be turned a full revolution, so turn it several times within the range of movement to run in the bearing, and then measure the rotation torque.

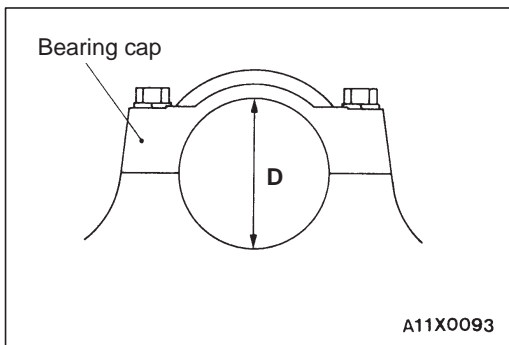
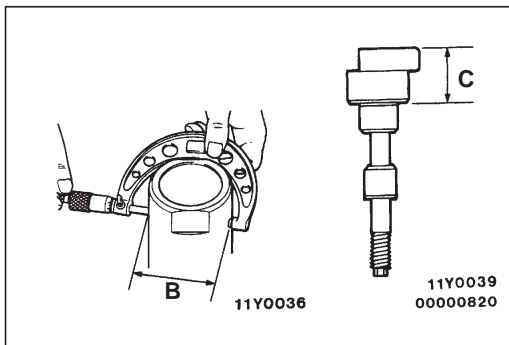


4. Clean the side bearing hub.
5. Install the special tools to the side bearing hub of the gear carrier, and then install the bearing cap.

NOTE

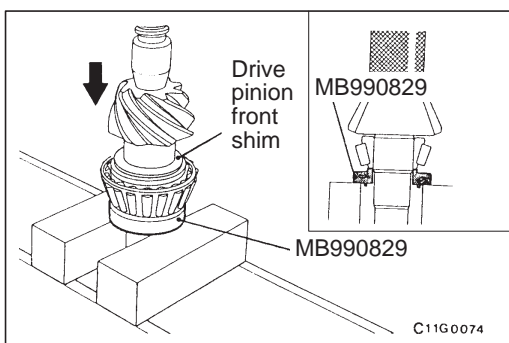
Always check that the notch is in the shown position and that the special tools are touching firmly against the side bearing hub.

6. Use a thickness gauge to measure the clearance (A) between the special tools.
7. Remove the special tools.
8. Use a micrometer to measure the special tool in the places (B, C) shown in the illustration.



9. Install the bearing cap, and then use a cylinder gauge and micrometer to measure the inside diameter (D) of the bearing cap as shown in the illustration.
10. Calculate the thickness (E) of the required drive pinion front shim by the following formula, and then select a shim which most closely matches this thickness.

$$E = A + B + C - 1/2D - 86.0$$



11. Fit the selected drive pinion front shim(s) to the drive pinion, and press-fit the drive pinion front bearing inner race by using the special tool.

►E◄ DRIVE PINION ROTATION TORQUE ADJUSTMENT

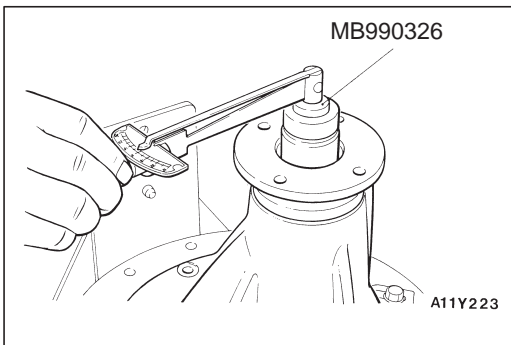
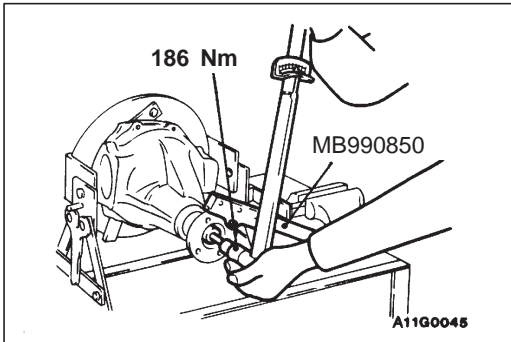
Adjust the drive pinion rotation torque by using the following procedure:

1. Insert the drive pinion into the gear carrier, and then install the drive pinion spacer, the drive pinion rear shim, the drive pinion rear bearing inner race, and the companion flange in that order.

NOTE

Do not install the oil seal.

2. Use the special tool to hold companion flange, and then tighten the self-locking nut to the specified torque.



3. Measure the drive pinion rotation torque (without the oil seal) by using the special tool.

Standard value:

Bearing division	Bearing lubrication	Rotation torque Nm
New	None (With anti-rust agent)	0.88 – 1.17*1 0.29 – 0.49*2
New/reused	Gear oil applied	0.39 – 0.49*1 0.147 – 0.245*2

NOTE

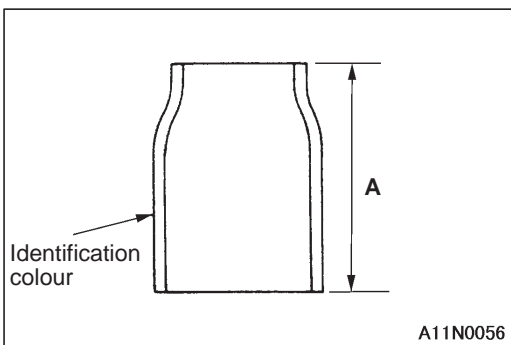
*1: A/T

*2: M/T

4. If the drive pinion rotation torque is not within the range of the standard value, adjust it by replacing the drive pinion rear shim(s) or the drive pinion spacer.

NOTE

When selecting the drive pinion rear shims, if the number of shims is large, reduce the number of shims to a minimum by selecting the drive pinion spacers. Also, select the drive pinion spacer from the following two types.

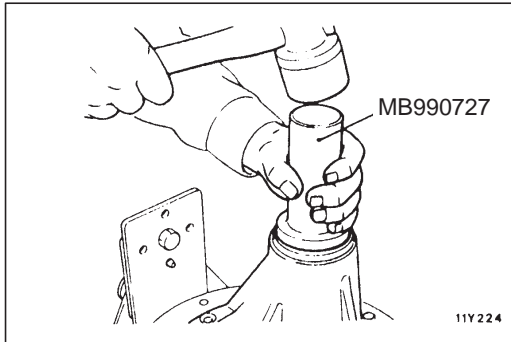


Drive pinion spacer height (A) mm	Identification colour
46.67*1	White
47.01*1	–
57.72*2	–
57.08*2	Red

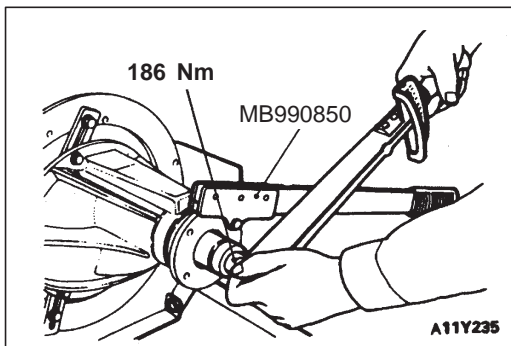
NOTE

*1: M/T

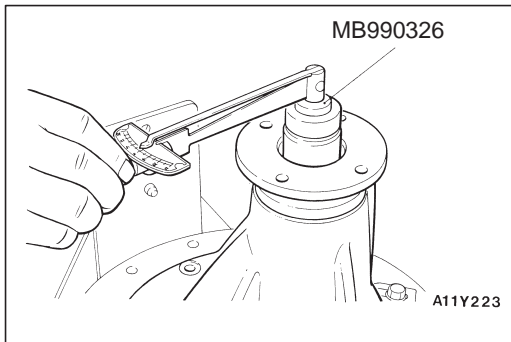
*2: A/T



- Remove the companion flange and drive pinion again. Then, after inserting the drive pinion rear bearing inner race into the gear carrier, use the special tool to press-fit the oil seal.



- Install the drive pinion assembly and companion flange with mating marks properly aligned, and use the special tool to hold the companion flange, and then tighten the self-locking nut to the specified torque.



- Measure the drive pinion rotation torque (with the oil seal) by using the special tool.

Standard value:

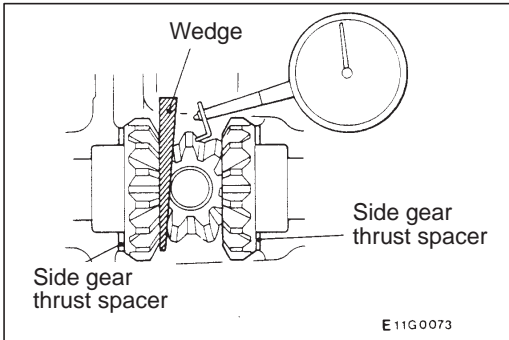
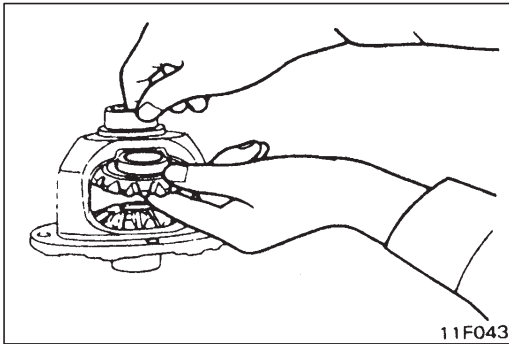
Bearing division	Bearing lubrication	Rotation torque Nm
New	None (With anti-rust agent)	0.98 – 1.27*1 0.49 – 0.69*2
New/reused	Gear oil applied	0.49 – 0.58*1 0.343 – 0.441*2

NOTE

*1: A/T

*2: M/T

- If the drive pinion rotation torque is not within the standard value, check the tightening torque of the companion flange self-locking nut and the oil seal installation condition.



►F◄ DIFFERENTIAL GEAR BACKLASH ADJUSTMENT

Follow the procedures below to adjust the differential gear backlash.

1. Assemble the side gears, side gear spacers, pinion gears and pinion washers into the differential case.
2. Temporarily install the pinion shaft.

NOTE

Do not drive in the lock pin yet.

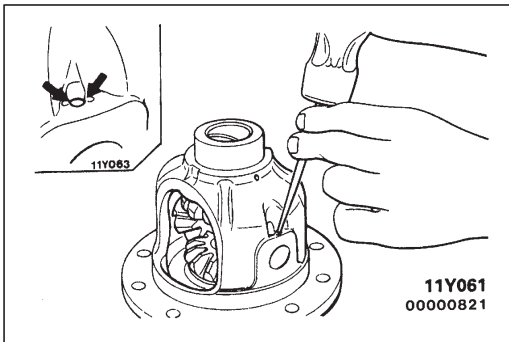
3. Insert a wedge between the side gear and the pinion shaft to lock the side gear.
4. Measure the differential gear backlash with a dial indicator on the pinion gear.

Standard value: 0 – 0.076 mm

Limit: 0.2 mm

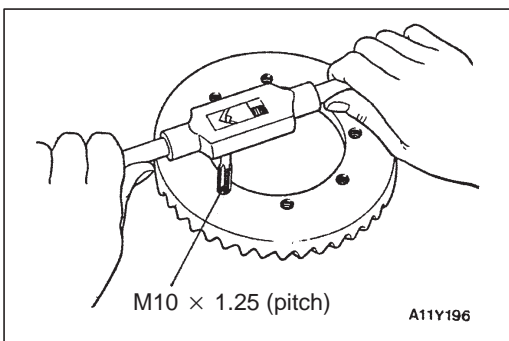
Repeat the steps above for the other pinion gear.

5. If the differential gear backlash exceeds the limit, adjust the backlash by changing the side gear spacers.
6. If adjustment is not possible, replace the side gears and pinion gears as a set.
7. Confirm that the differential gear backlash is correct, and that the differential gear turns smoothly.



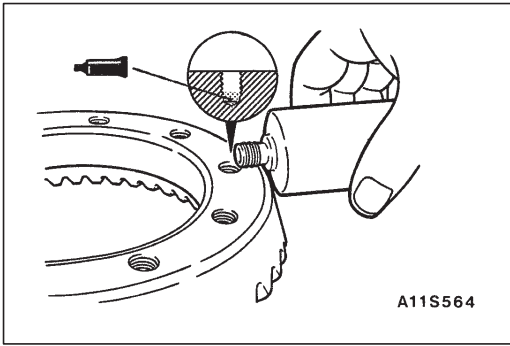
►G◄ LOCK PIN INSTALLATION

1. Align the pinion shaft lock pin hole with the differential case lock pin hole, and drive in the lock pin.
2. Stake the lock pin with a punch at two points.



►H◄ DRIVE GEAR INSTALLATION

1. Clean the drive gear attaching bolts.
2. Remove the adhesive adhered to the threaded holes of the drive gear by turning a tap (M10 x 1.25), and then clean the threaded holes by applying compressed air.



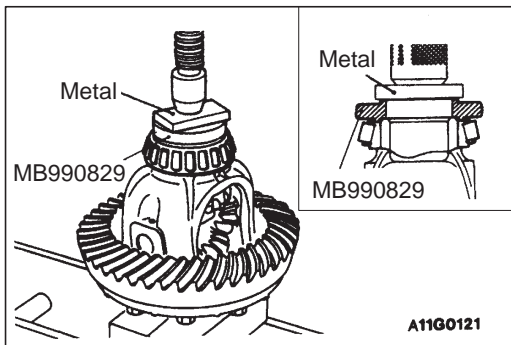
3. Clean the drive gear attaching surface, and then apply the specified adhesive to the threaded holes of the drive gear.

Specified sealant:

3M Stud Locking 4170 or equivalent

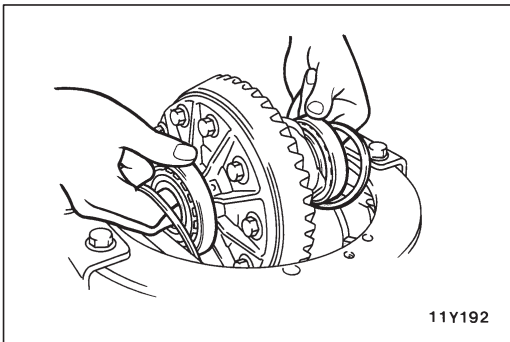
4. Install the drive gear onto the differential case with the mating marks properly aligned.
5. Tighten the drive gear attaching bolts provisionally, and then tighten them to the specified torque in a diagonal sequence.

Tightening torque: 78 – 88 Nm



►◄ SIDE BEARING INNER RACE INSTALLATION

Use the special tool to press the side bearing inner race into the differential case.



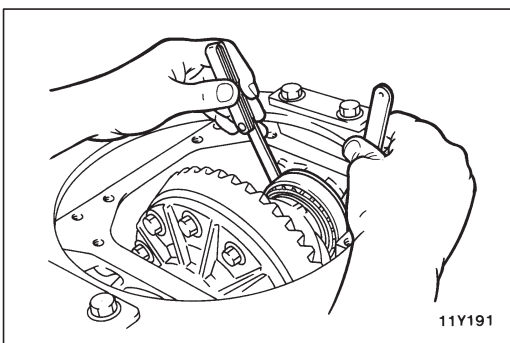
►◄ DRIVE GEAR BACKLASH ADJUSTMENT

Adjust the drive gear backlash by the following procedures:

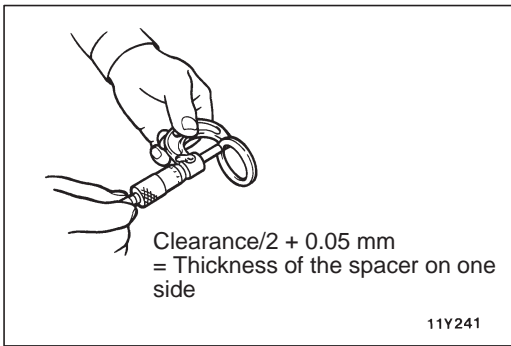
1. Install the side bearing spacers, which are thinner than those removed, to the side bearing outer races, and then mount the differential case assembly into the gear carrier.

NOTE

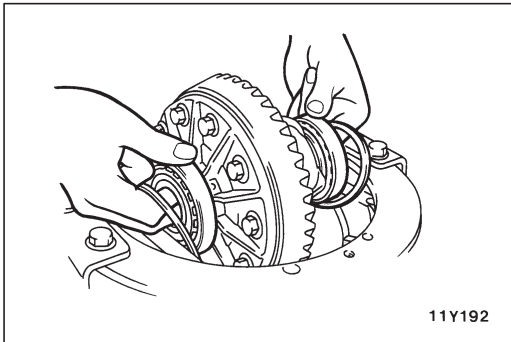
Select side bearing spacers with the same thickness for both the drive gear sides.



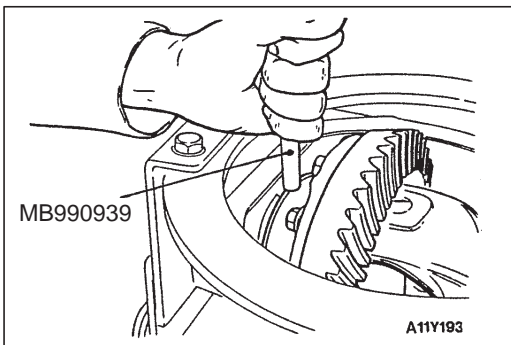
2. Push the differential case assembly to one side, and measure the clearance between the gear carrier and the side bearing spacer with a thickness gauge.



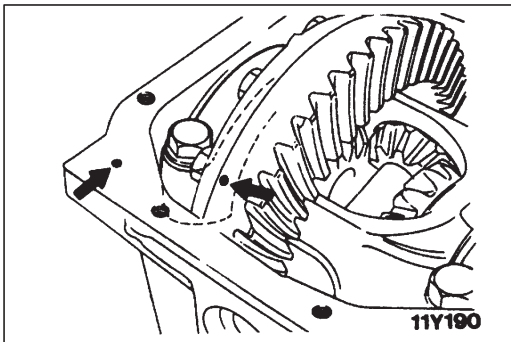
3. Measure the thickness of the side bearing spacers on one side, select two pairs of spacers which correspond to that thickness plus one half of the clearance plus 0.05 mm, and then install one pair each to the drive pinion side and the drive gear side.



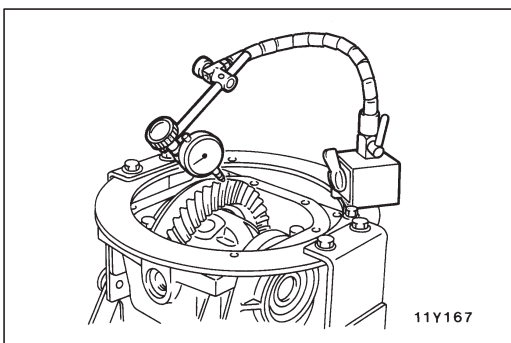
4. Install the selected side bearing spacers and differential case assembly, as shown in the illustration, to the gear carrier.



5. Tap the side bearing spacers with the special tool to fit them to the side bearing outer race.



6. Align the mating marks on the gear carrier and the bearing cap, and then tighten the bearing cap.

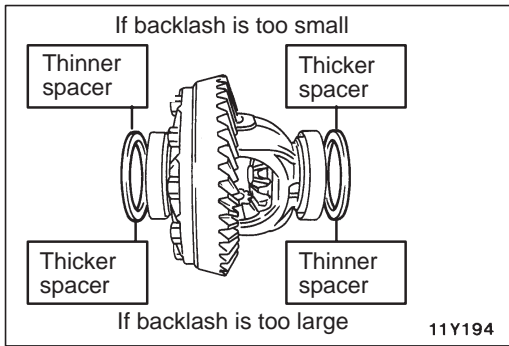


7. With the drive pinion locked in place, measure the drive gear backlash with a dial indicator on the drive gear.

NOTE

Measure at four points or more on the circumference of the drive gear.

Standard value: 0.11 – 0.16 mm

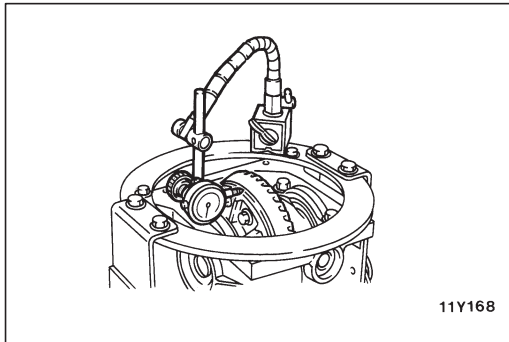


8. Change the side bearing spacers as illustrated, and then adjust the drive gear backlash.

NOTE

When increasing the number of side bearing spacers, decrease the same number of the side bearing spacers for opposite side.

9. Check the drive gear and drive pinion for tooth contact. If poor contact is evident, make adjustment. (Refer to P. 26-31.)



10. Measure the drive gear runout at the shoulder on the reverse side of the drive gear.

Limit: 0.05 mm

11. If the drive gear runout exceeds the limit, reinstall by changing the phase of the drive gear and differential case, and remeasure.
12. If adjustment is not possible, replace the differential case or replace the drive gear and drive pinion as a set.

FREE-WHEELING CLUTCH ASSEMBLY

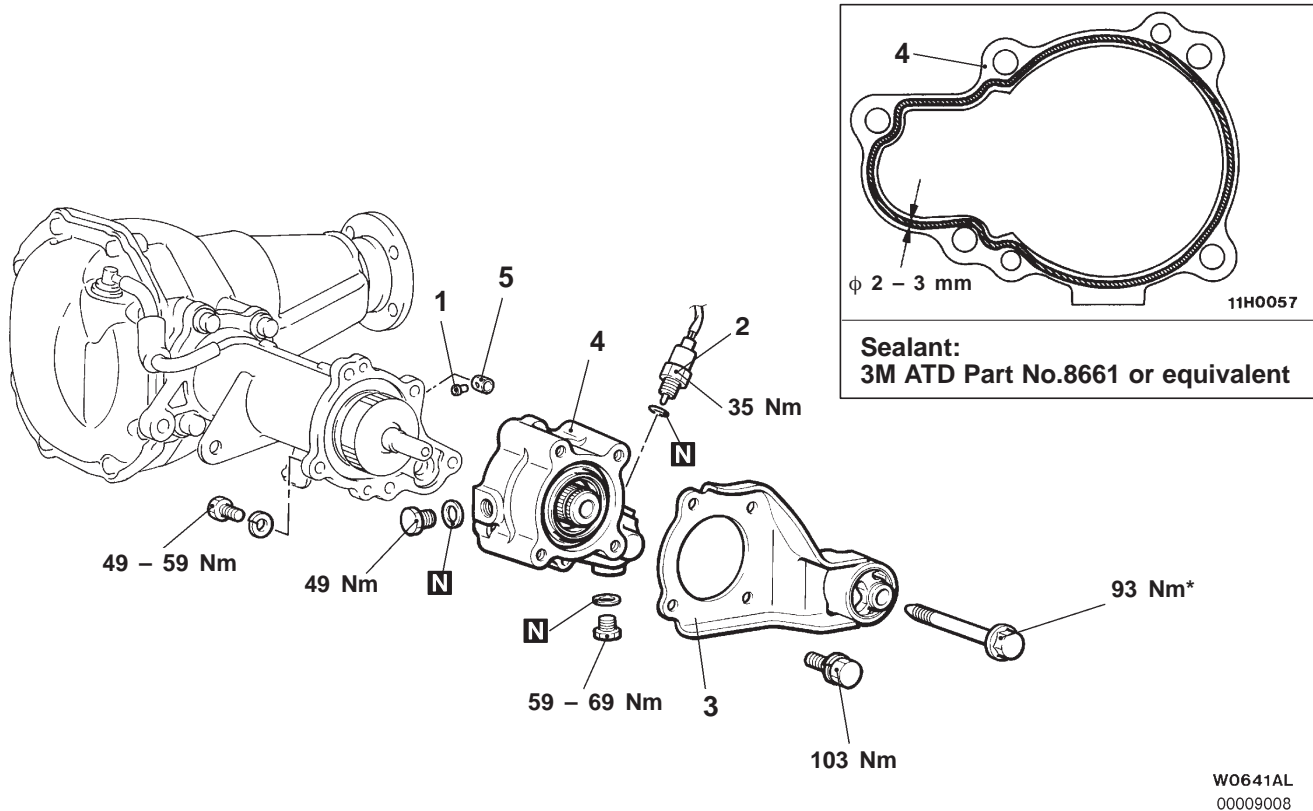
REMOVAL AND INSTALLATION

Caution

To prevent bushings from breakage, the parts indicated by * should be temporarily tightened, and then fully tightened with the vehicle on the ground in the unladen condition.

Pre-removal and Post-installation Operation

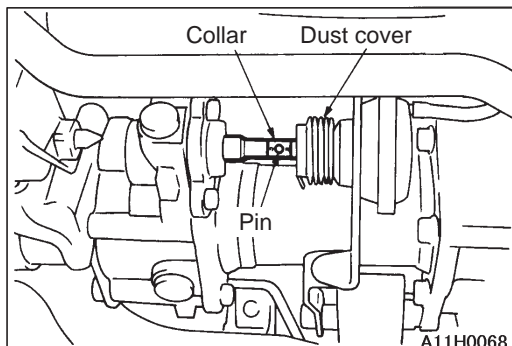
- Gear Oil Draining and Refilling (Refer to P.26-11.)
- Drive Shaft Removal and Installation (Refer to P.26-19.)



Removal steps



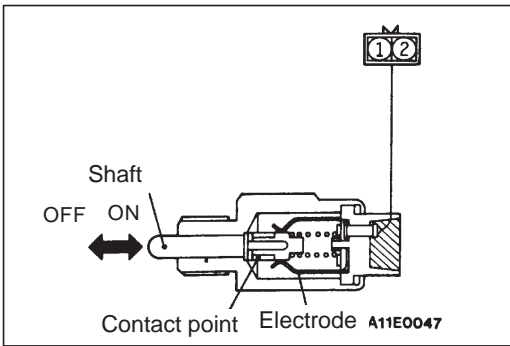
1. Pin
2. Free-wheeling engage switch assembly
3. Differential mount bracket assembly <LH>
4. Free-wheeling clutch housing assembly
5. Collar



REMOVAL SERVICE POINT

▶ PIN REMOVAL

1. Remove the one side of the dust cover from the vacuum actuator assembly.
2. Align the pin with the pin hole of the collar, and then drive out the pin with a punch.

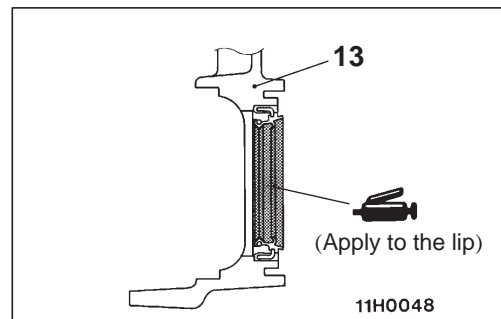
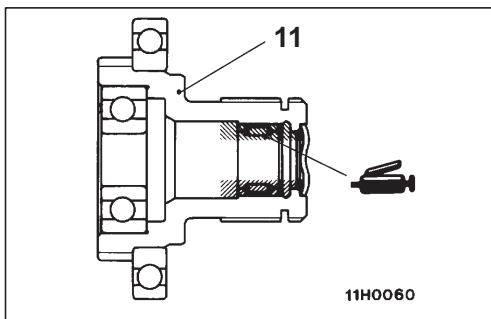
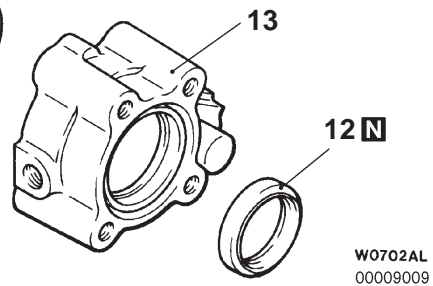
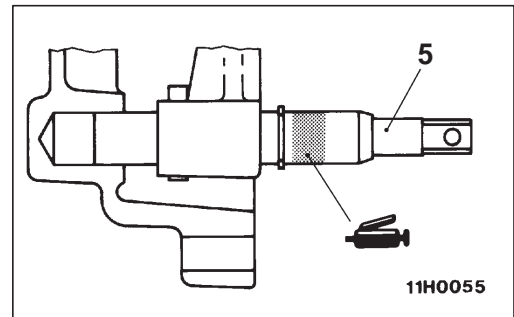
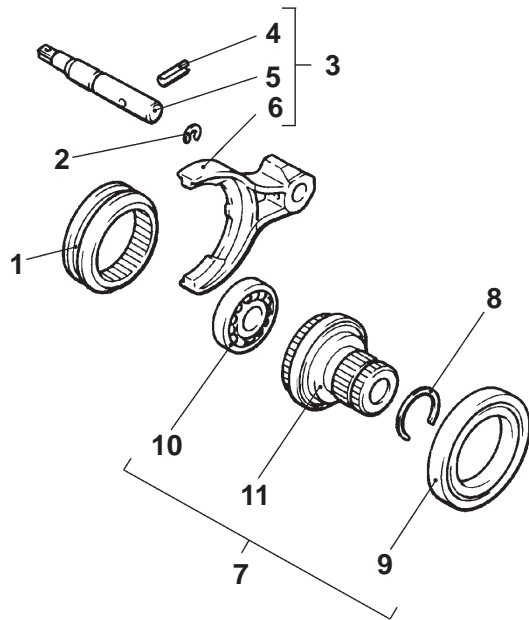


INSPECTION

FREE-WHEELING ENGAGE SWITCH CONTINUITY CHECK

Shaft (switch) position	Terminal number	
	1	2
Pushed (ON)	○ — ○	○ — ○
Released (OFF)		

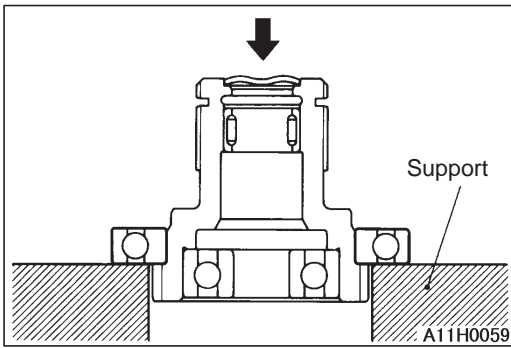
DISASSEMBLY AND REASSEMBLY



Disassembly steps

- ▶D◀ 1. Clutch sleeve
- ▶C◀ 2. Snap ring
- ▶C◀ 3. Shift fork assembly
- ▶C◀ 4. Spring pin
- ▶C◀ 5. Shift rod
- ▶C◀ 6. Shift fork
- ▶C◀ 7. Clutch gear assembly

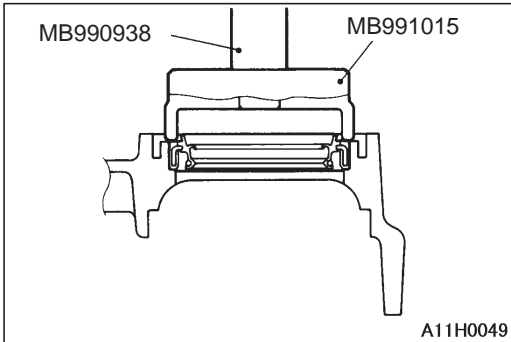
- ◀A▶ ▶B◀ 8. Circlip
- ◀A▶ ▶B◀ 9. Bearing
- ▶A◀ ▶B◀ 10. Bearing
- ▶A◀ ▶B◀ 11. Clutch gear
- ▶A◀ ▶B◀ 12. Oil seal
- ▶A◀ ▶B◀ 13. Free-wheeling clutch housing



DISASSEMBLY SERVICE POINT

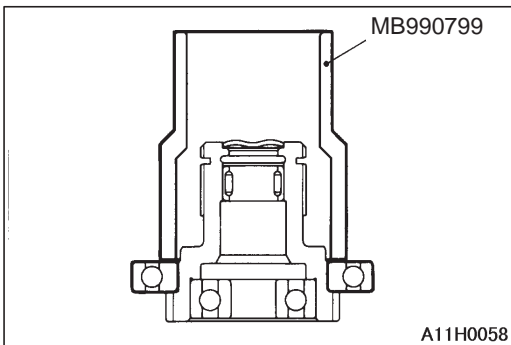
◀A▶ BEARING REMOVAL

Position the bearing inner race on a support. Then use a press to separate the clutch gear from the bearing.



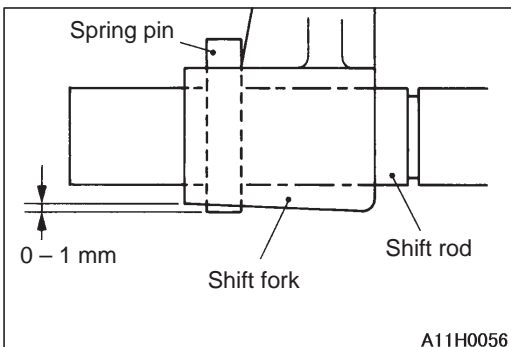
REASSEMBLY SERVICE POINTS

▶A◀ OIL SEAL INSTALLATION



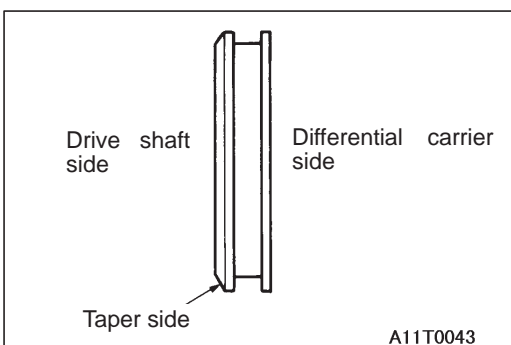
▶B◀ BEARING INSTALLATION

Use the special tool to press-fit the bearing to the shoulder of the clutch gear.



▶C◀ SPRING PIN INSTALLATION

Insert the spring pin into the pin hole (with chamfered surface) of the shift rod, and then tap the spring pin in as shown in the illustration.

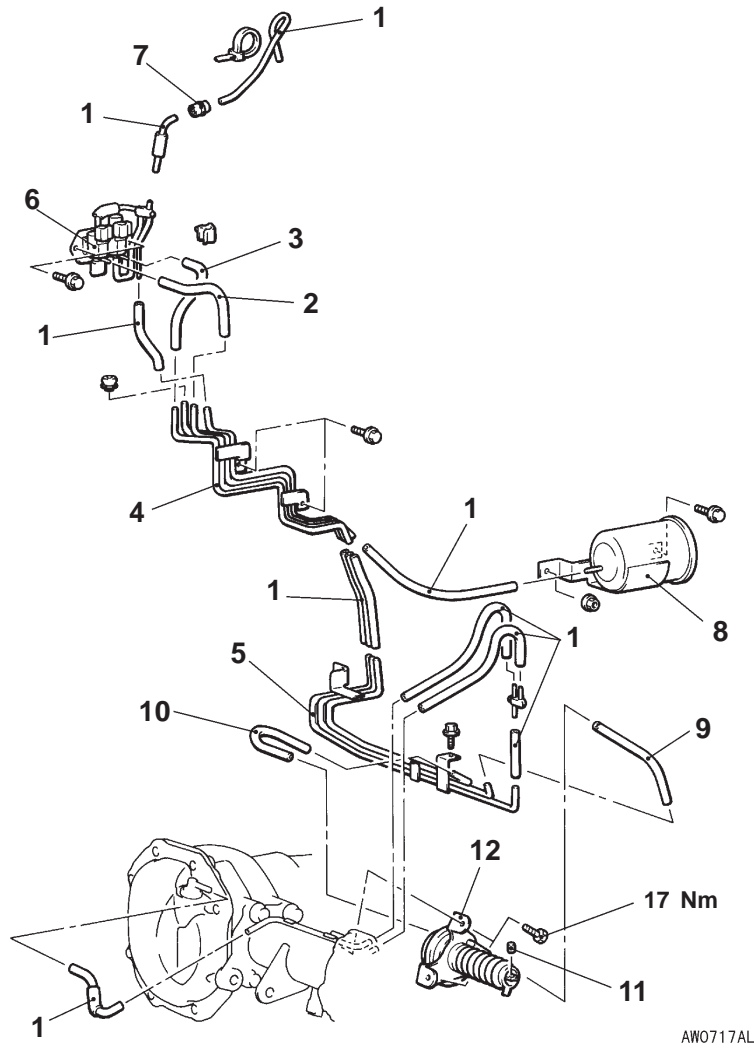


▶D◀ CLUTCH SLEEVE INSTALLATION

Face the clutch sleeve tapered side towards the drive shaft to install the clutch sleeve.

SOLENOID VALVE, VACUUM PIPES AND VACUUM TANK

REMOVAL AND INSTALLATION

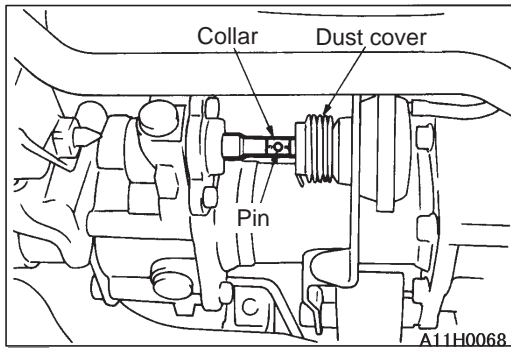


AW0717AL

- ▶A◀ 1. Vacuum hose
- ▶A◀ 2. Vacuum hose <blue stripe>
- ▶A◀ 3. Vacuum hose <yellow stripe>
- 4. Vacuum pipe assembly
- 5. Vacuum pipe assembly
- ▶B◀ 6. Solenoid valve assembly
- ▶B◀ 7. Check valve
- 8. Vacuum tank assembly

Vacuum actuator assembly removal steps

- ▶A◀ 9. Vacuum hose <blue stripe> connection
- ▶A◀ 10. Vacuum hose <yellow stripe> connection
- ▶A◀ 11. Pin
- ▶A◀ 12. Vacuum actuator assembly



REMOVAL SERVICE POINT

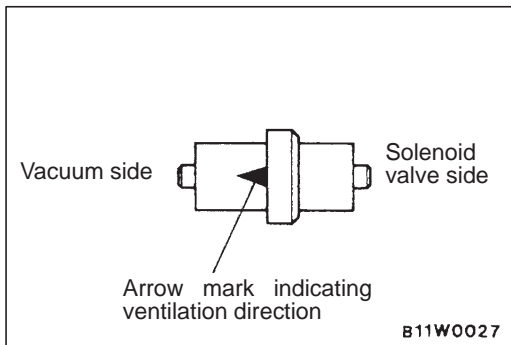
◀A▶ PIN REMOVAL

1. Remove the one side of the dust cover from the vacuum actuator assembly.
2. Align the pin with the pin hole of the collar, and then drive out the pin with a punch.

INSTALLATION SERVICE POINTS

▶A◀ VACUUM HOSE INSTALLATION

Connect the vacuum hoses, the solenoid valve and the vacuum pipes according to their identification colours.



▶B◀ CHECK VALVE INSTALLATION

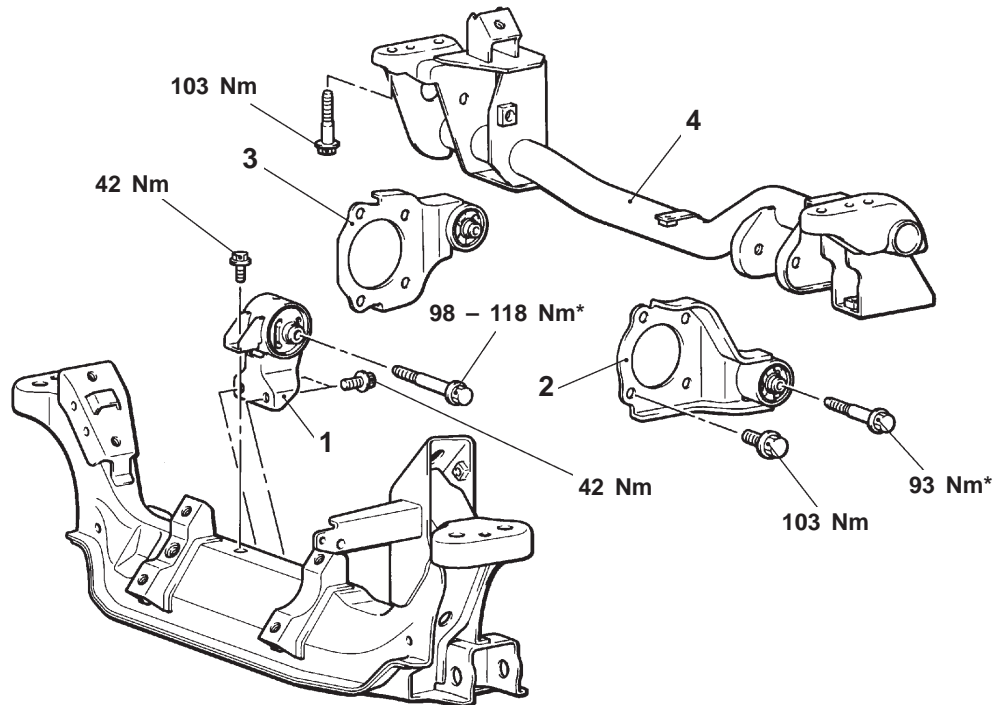
Face the arrow mark to the vacuum side.

FRONT DIFFERENTIAL MOUNT

REMOVAL AND INSTALLATION

Caution

1. To remove the differential mount crossmember assembly, support the front differential assembly with a jack.
2. To prevent bushings from breakage, the parts indicated by * should be temporarily tightened, and then fully tightened with the vehicle on the ground in the unladen condition.



AW0701AL

Differential mount bracket assembly (front) removal steps

- Free-wheeling clutch assembly removal (Refer to P. 26-45.)
1. Differential mount bracket assembly <front>

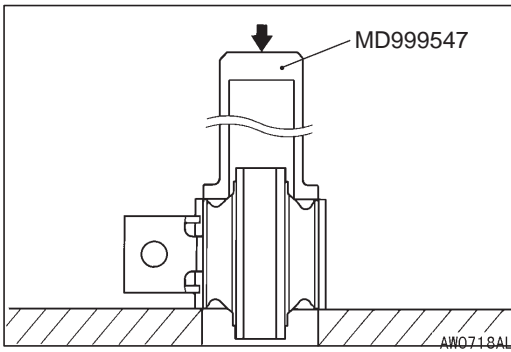
Differential mount bracket assembly (LH, RH) removal steps

- Drive shaft assembly removal (Refer to P. 26-19.)

2. Differential mount bracket assembly <Rear – LH>
3. Differential mount bracket <Rear – RH>

Differential mount crossmember assembly removal steps

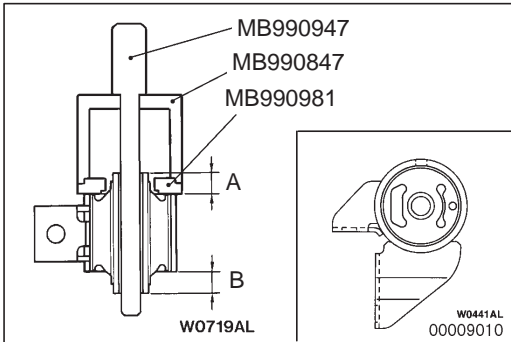
- Front propeller shaft removal (Refer to GROUP 25.)
4. Differential mount crossmember assembly



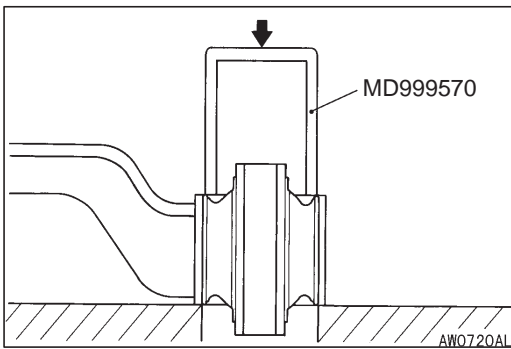
DIFFERENTIAL MOUNT INSULATOR REPLACEMENT

FRONT

1. Use the special tool to drive out the insulator.

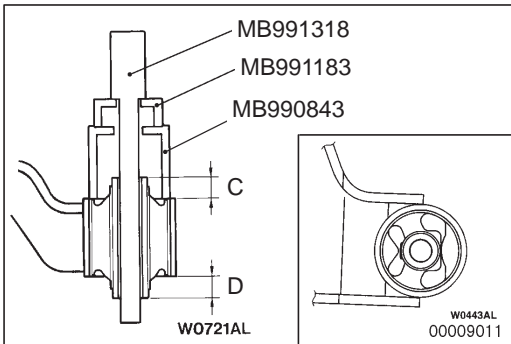


2. Use the special tools and a press to press-fit the insulators so that their hollow portion points to the shown direction and the insulator protrudes evenly (Distance A is equal to distance B).



REAR

1. Use the special tool to drive out the insulator.



2. Use the special tools and a press to press-fit the insulators so that their hollow portion points to the shown direction and the insulator protrudes evenly (Distance C is equal to distance D).

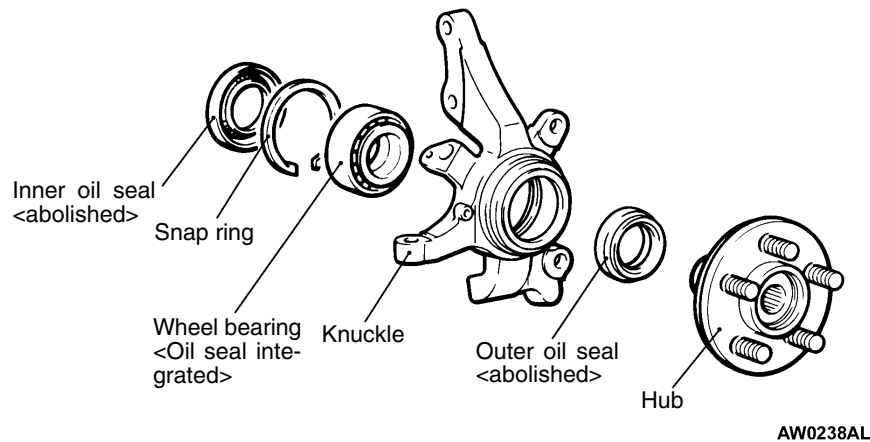
NOTES

GROUP 26

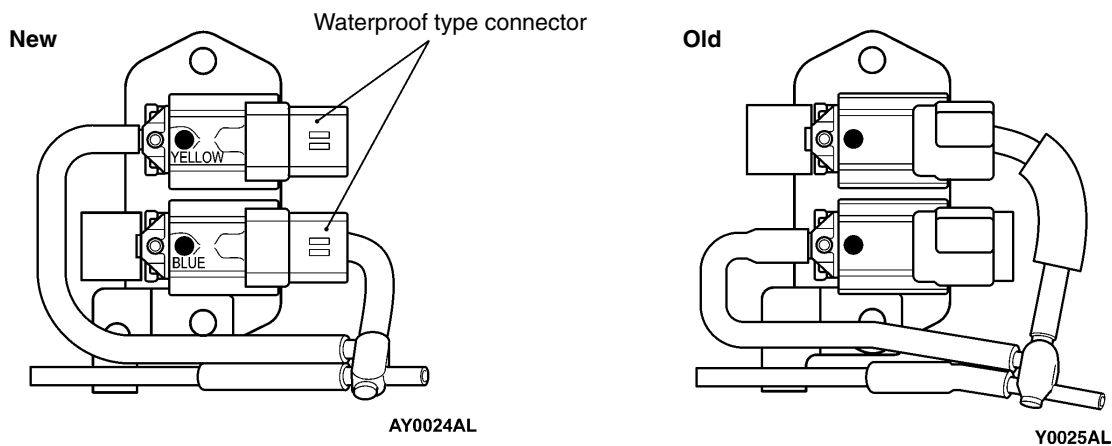
GENERAL

OUTLINE OF CHANGE

- The front differential reduction gear ratio has been changed due to the introduction of 2000-mL engine.
- The service procedure has been changed since the wheel bearing has been changed from the previous oil seal separate type to the integrated type.



- The solenoid valve for the free-wheeling mechanism has been changed.



GENERAL INFORMATION

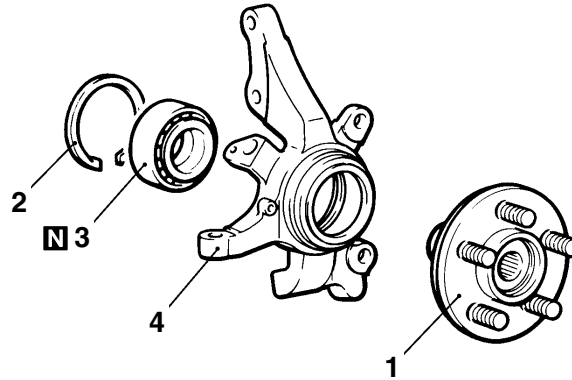
FRONT DIFFERENTIAL

Item		New	Old
Reduction ratio		4.636*1, 4.900*2	4.875
Number of teeth	Drive gear	51*1, 49*2	39
	Drive pinion	11*1, 10*2	8

NOTE

*1: M/T, *2: A/T

**HUB AND KNUCKLE ASSEMBLY
DISASSEMBLY AND REASSEMBLY**



BW0238AL

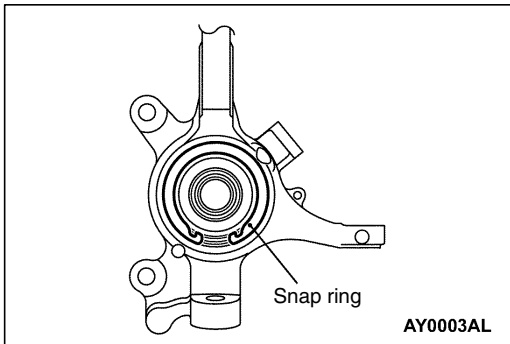
Disassembly steps

- ▶D◀ • Hub rotation starting torque check
- ▶◀ • Wheel bearing axial play check
- ◀▶ 1. Hub
- ▶◀ 2. Snap ring

- ◀▶ ▶◀ 3. Wheel bearing
- 4. Knuckle

NOTE

The disassembly service points are the same as before.



REASSEMBLY SERVICE POINTS

Only the service procedure below has been added. The other service procedures are the same as before.

▶B◀ SNAP RING INSTALLATION

The notch in the snap ring should face down.

Caution

The sealing performance between the snap ring and the bearing seal can be ensured by making the snap ring face down. If the snap ring notches face toward the different direction, the sealing performance may be impaired.

FRONT AXLE

CONTENTS

GENERAL	2	ON-VEHICLE SERVICE	5
Outline of Change	2	Front Axle Total Backlash Check	5
GENERAL INFORMATION	2	DRIVE SHAFT	6
SERVICE SPECIFICATIONS	3	FRONT AXLE SHAFT	7
LUBRICANT	3	DIFFERENTIAL CARRIER	9
SPECIAL TOOLS	4	VACUUM PIPES	13

GENERAL**OUTLINE OF CHANGE**

The following service procedures have been established due to the addition of the vehicles with 1800-MPI engine. Other service procedures are the same as before.

GENERAL INFORMATION**FRONT AXLE**

Item			1800-MPI
Drive shaft	Shaft length* × Shaft diameter mm	Right side	316 × 24
		Left side	435 × 24
Front axle shaft	Shaft length × Shaft diameter mm		389 × 25
	Bearing (O.D. × I.D.) mm		62 × 35

NOTE

*: shows the distance between the centres of the joints.

FRONT DIFFERENTIAL

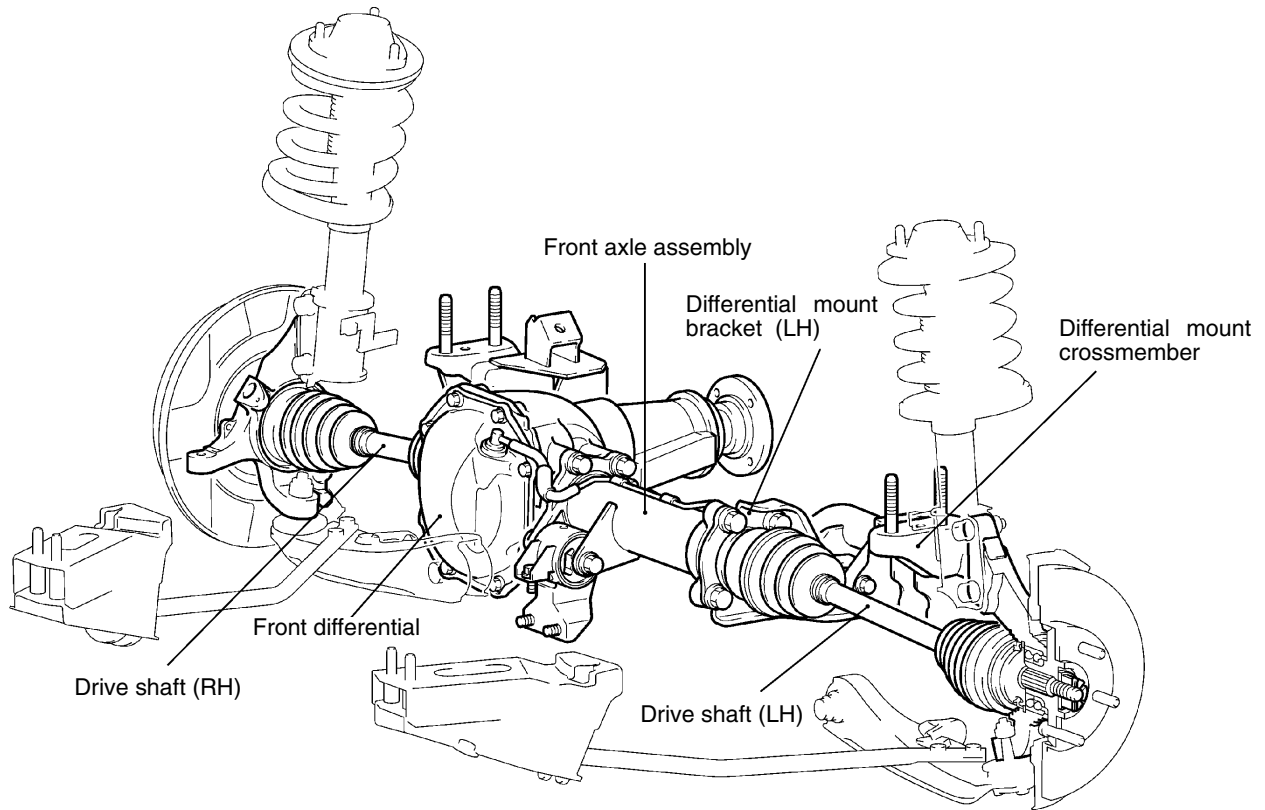
Item			1800-MPI
Reduction ratio			4.636* ¹ , 5.111* ²
Number of teeth	Drive gear		51* ¹ , 46* ²
	Drive pinion		11* ¹ , 9* ²
Bearing (O.D. × I.D.) mm	Side		72.0 × 35.0
	Front		62.0 × 25.0
	Rear		72.0 × 35.0

NOTE

*¹: M/T

*²: A/T

CONSTRUCTION DIAGRAM



A10001AL

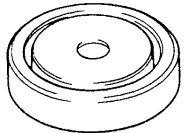
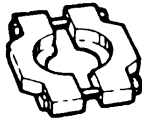
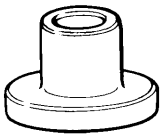
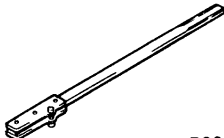
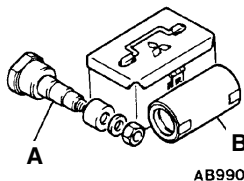
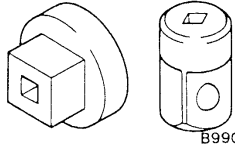
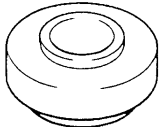
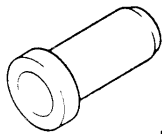
SERVICE SPECIFICATIONS

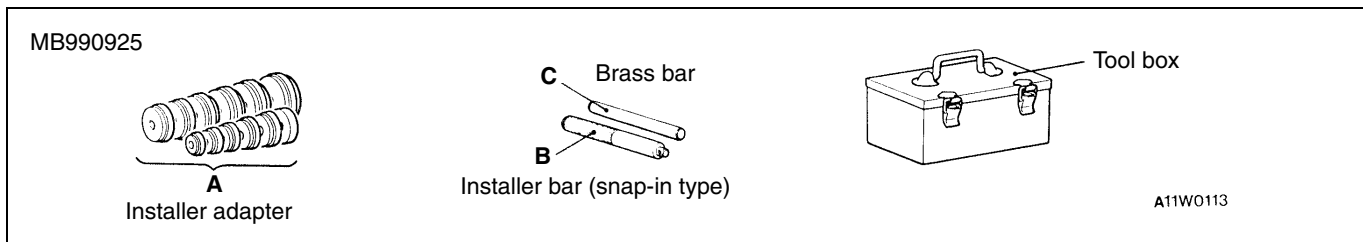
Items			Standard value	Limit
Drive pinion turning torque N·m	Without oil seal	When replacing (with anti-rust agent)	0.88 – 1.17	–
		When replacing or reusing (with gear oil applied)	0.39 – 0.49	–
	With oil seal	When replacing (with anti-rust agent)	0.98 – 1.27	–
		When replacing or reusing (with gear oil applied)	0.49 – 0.58	–

LUBRICANT

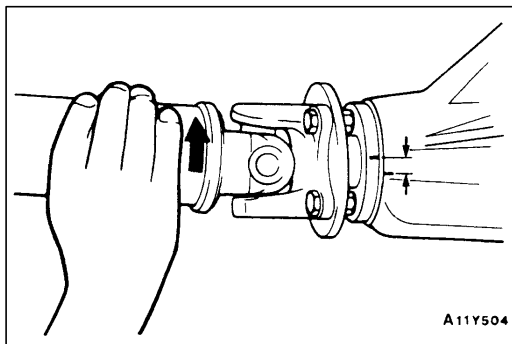
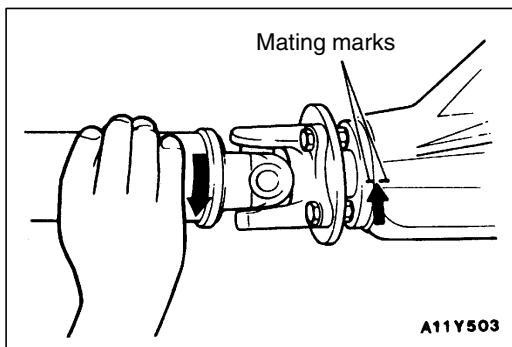
Items	Specified lubricants	Quantity
D.O.J./B.J.	Repair kit grease	85 g

SPECIAL TOOLS

Tool	Number	Name	Use
 B990955	MB991115	Oil seal installer	Front axle oil seal press-fitting (Used together with MB990938)
	MB990673	Front bearing remover	Bearing removal
	MB990663	Rear axle shaft bearing and retain-er ring installer	Bearing installation
 B990850	MB990850	End yoke holder	Companion flange removal and installation
 A B AB990835	MB990835 A: MB990836 B: MB990392	Dummy pinion set A: Drive pinion gauge assembly B: Cylinder gauge	<ul style="list-style-type: none"> • Drive pinion rotation starting torque check • Drive pinion height measurement
 B990326	MB990326	Pre-load socket	Drive pinion turning torque measurement
 B990829	MB990829	Pinion and side bearing installer	<ul style="list-style-type: none"> • Drive pinion rear bearing inner race pressing-in • Side bearing inner race pressing-in
 B990727	MB990727	Oil seal installer	Drive pinion oil seal pressing-in



Type	Tool number	O.D. mm	Type	Tool number	O.D. mm
A	MB990926	39	A	MB990933	63.5
	MB990927	45		MB990934	67.5
	MB990928	49.5		MB990935	71.5
	MB990929	51		MB990936	75.5
	MB990930	54		MB990937	79
	MB990931	57	B	MB990938	–
	MB990932	61	C	MB990939	–



ON-VEHICLE SERVICE

FRONT AXLE TOTAL BACKLASH CHECK

1. Place the transmission shift lever in the neutral position, apply the parking brake and then jack up the vehicle.
2. Manually turn the propeller shaft clockwise as far as it will go and make mating marks on the companion flange dust cover and the differential carrier.

3. Manually turn the propeller shaft anti-clockwise as far as it will go and measure the movement of the mating marks.

Limit: 5 mm

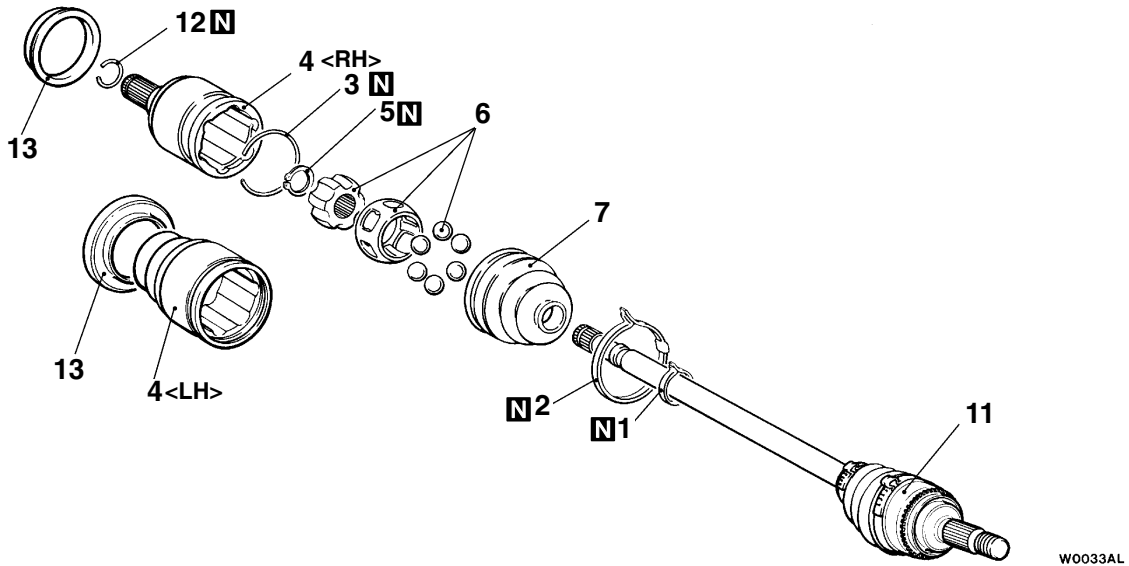
4. If the backlash exceeds the limit, remove the differential carrier assembly, and then carry out the following checks.
 - Final drive gear backlash
 - Differential gear backlash
 - Play in the serrations and spline of the side gears, drive shaft, inner shaft and drive flange

DRIVE SHAFT

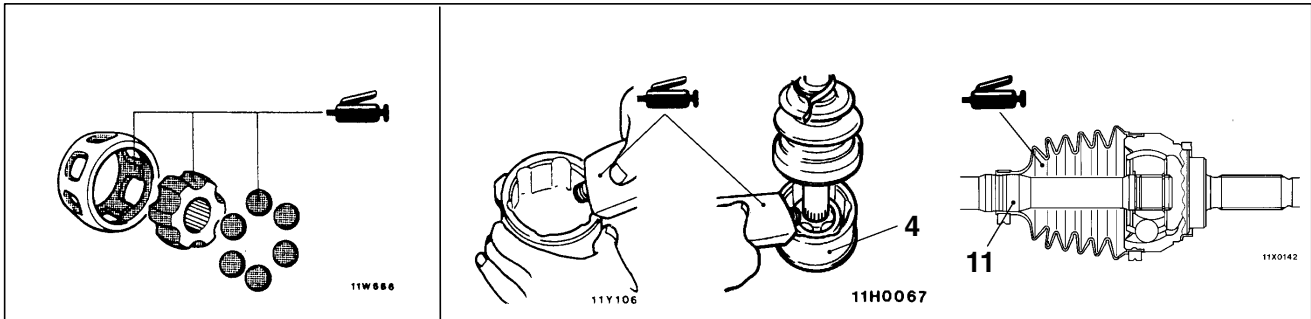
DISASSEMBLY AND REASSEMBLY

Caution

The B.J. assembly is non-serviceable and requires replacement if defective. B.J. boot can be replaced.

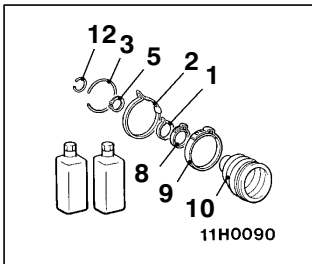


W0033AL

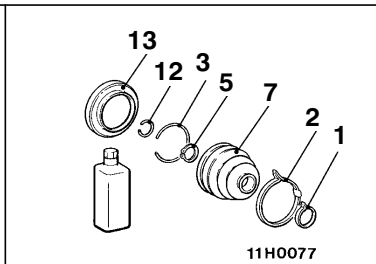


<p>Grease: Repair kit grease</p>	<p>Grease: Repair kit grease Quantity: B.J.: 85 g (40 g for joint, 45 g for boot) D.O.J.: 85 g (50 g for joint, 35 g for boot)</p>
----------------------------------	--

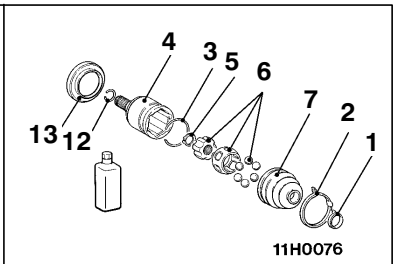
Caution
 The joint is filled with a special grease. Do not mix the grease with an old one or other grease.



B.J. boot repair kit



D.O.J. boot repair kit



D.O.J. repair kit

Disassembly steps

- ▶B◀ 1. D.O.J. boot band (small)
- ▶B◀ 2. D.O.J. boot band (large)
- 3. Circlip
- 4. D.O.J. outer race
- 5. Snap ring
- 6. Inner race, cage, ball assembly
- ◀A▶ ▶A◀ 7. D.O.J. boot
- 8. B.J. boot band (small)

- 9. B.J. boot band (large)
- 10. B.J. boot
- 11. B.J. assembly
- 12. Circlip
- 13. Dust cover

NOTE

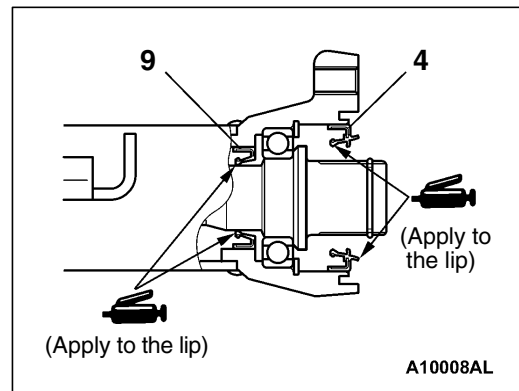
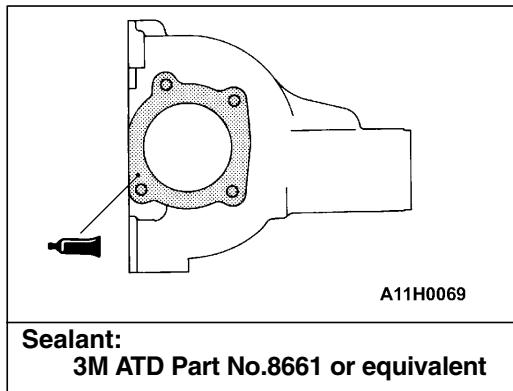
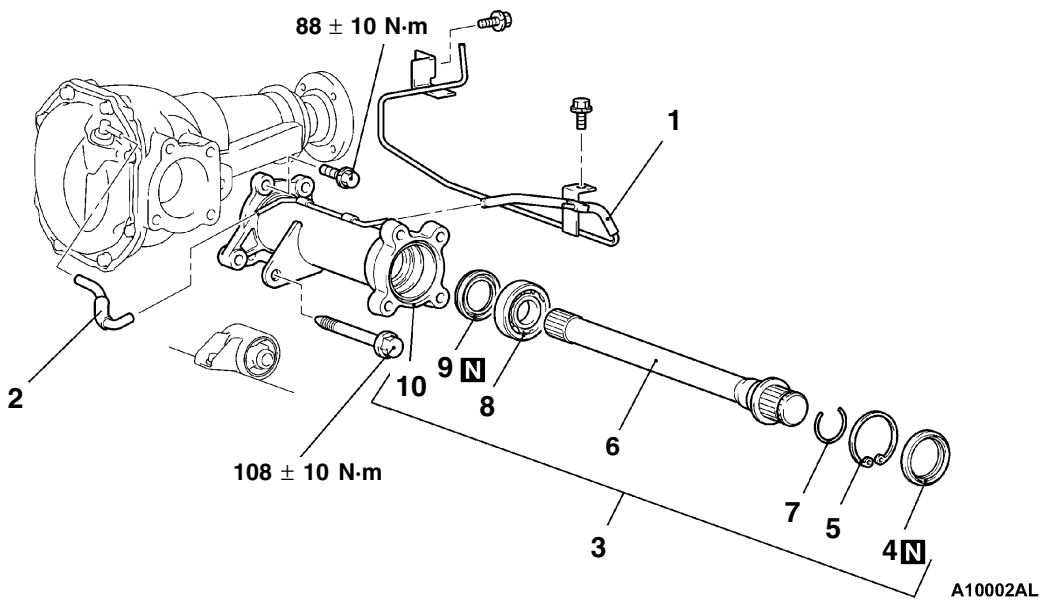
Removal and installation service points are the same as before.

FRONT AXLE SHAFT

REMOVAL AND INSTALLATION

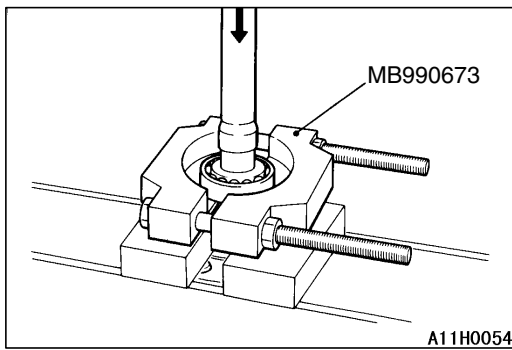
Pre-removal and Post-installation Operation

- Drive Shaft Removal and Installation
- Gear Oil Draining and Refilling

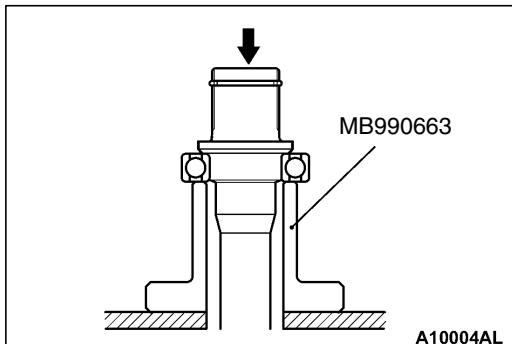
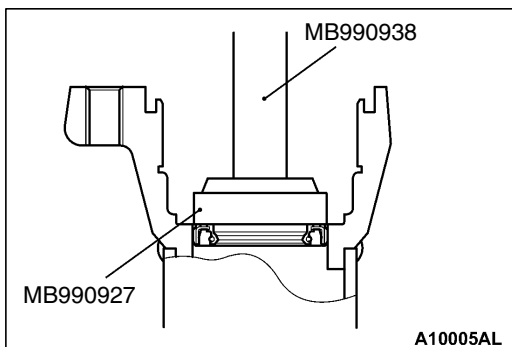
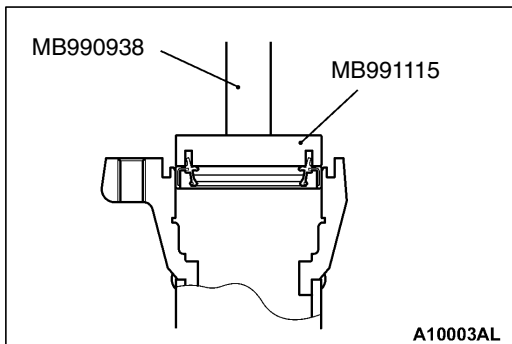


Removal steps

- Front differential assembly and differential mount crossmember assembly(Refer to P.26-9)
- 1. Vacuum pipe assembly
- 2. Vacuum hose assembly
- 3. Front axle assembly
- ▶C◀ 4. Oil seal
- 5. Snap ring
- 6. Front axle shaft
- 7. Clip
- 8. Oil seal
- ◀A▶ ▶B◀ ▶A◀ 9. Bearing
- 10. Front housing assembly

**REMOVAL SERVICE POINT****◀A▶ BEARING REMOVAL**

Install the special tool as shown in the illustration, and use a press to drive out the bearing from the main shaft.

**INSTALLATION SERVICE POINTS****▶A▶ BEARING INSTALLATION****▶B▶ OIL SEAL INSTALLATION****▶C▶ OIL SEAL INSTALLATION**

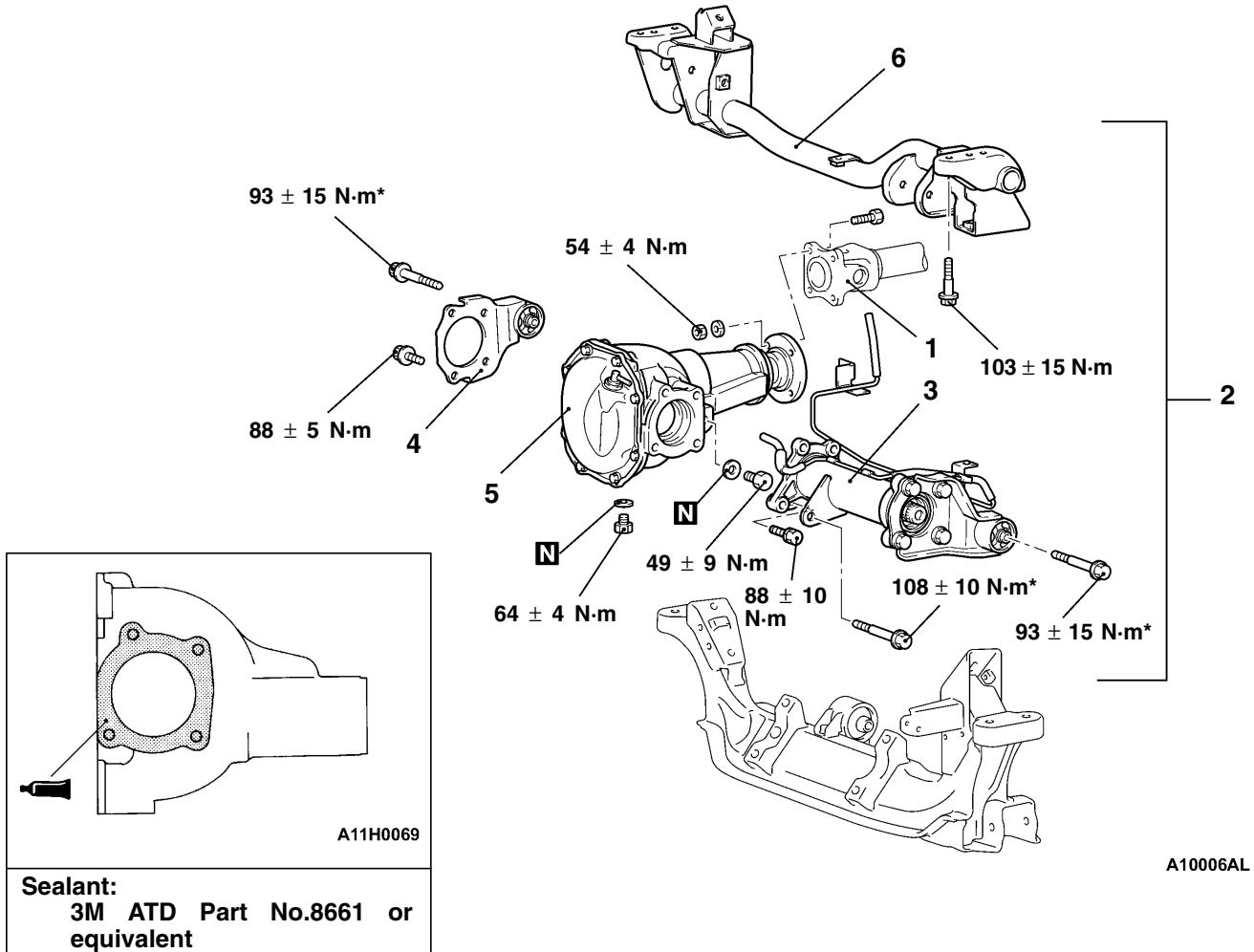
DIFFERENTIAL CARRIER REMOVAL AND INSTALLATION

Caution

To prevent bushings from breakage, the parts indicated by * should be temporarily tightened, and then fully tightened with the vehicle on the ground in the unladen condition.

- Pre-removal and Post-installation Operation**

 - Drive Shaft Removal and Installation
 - Stabilizer Bar Removal and Installation
 - Gear Oil Draining and Refilling



Removal steps

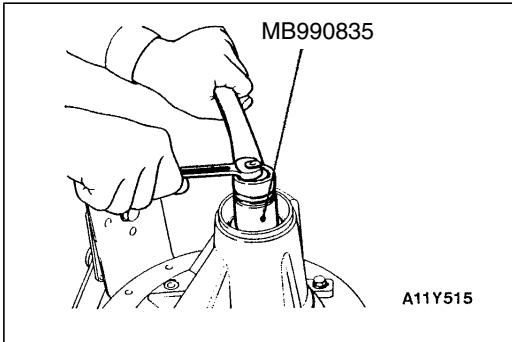
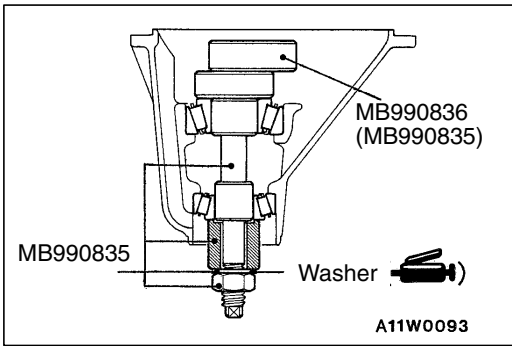


- Support the Engine Assembly
- 1. Front propeller shaft connection
- 2. Front differential assembly and differential mount crossmember assembly
- 3. Front axle assembly
- 4. Differential mount bracket assembly <RH>

- 5. Differential carrier
- 6. Differential mount crossmember assembly

NOTE

Removal service points are the same as before.



DISASSEMBLY AND REASSEMBLY

Service procedures except following are the same as before.

REASSEMBLY SERVICE POINTS

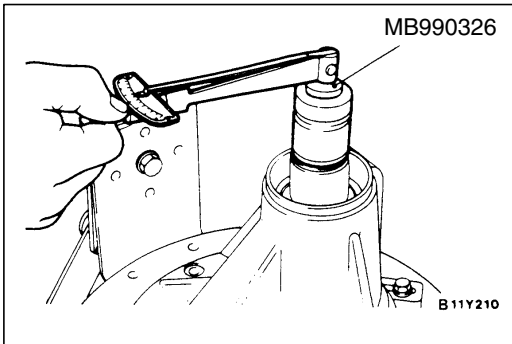
►D◄ DRIVE PINION HEIGHT ADJUSTMENT

Adjust the drive pinion height by the following procedure.

1. Apply multipurpose grease to the washer of the special tool.
2. Install the special tool, drive pinion front and rear bearing inner races to the gear carrier.
3. Tighten the nut of the special tool while measuring the rotation torque of the drive pinion. Gradually keep tightening the nut of the special tool until the rotation torque of the drive pinion (without oil seal) is at the standard value.

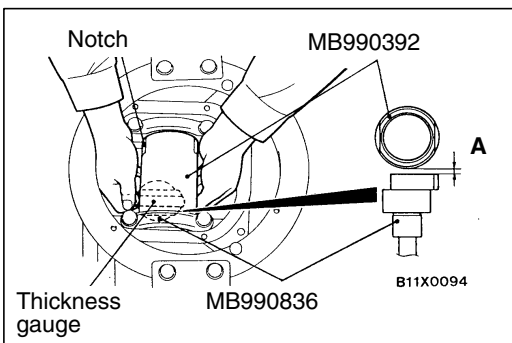
Standard value:

Bearing division	Bearing lubrication	Rotation torque N·m
New	None (With anti-rust agent)	0.88 – 1.17
New or reused	Gear oil applied	0.39 – 0.49



NOTE

The special tool cannot be turned a full revolution, so turn it several times within the range of movement to run in the bearing, and then measure the rotation torque.

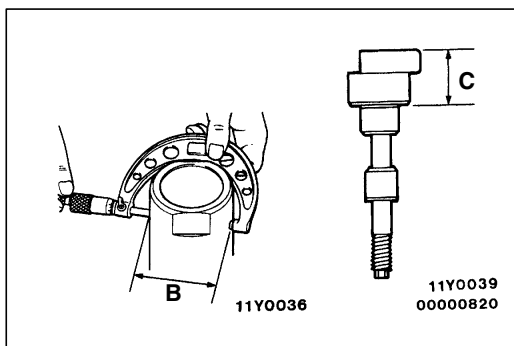


4. Clean the side bearing hub.
5. Install the special tools to the side bearing hub of the gear carrier, and then install the bearing cap.

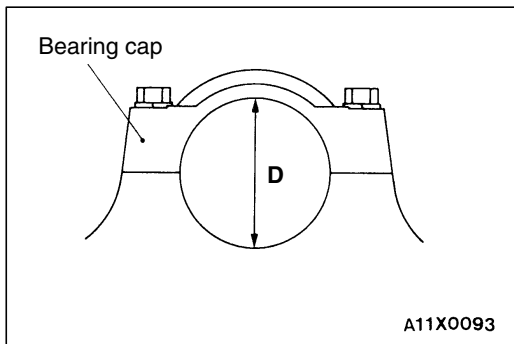
NOTE

Always check that the notch is in the shown position and that the special tools are touching firmly against the side bearing hub.

6. Use a thickness gauge to measure the clearance (A) between the special tools.

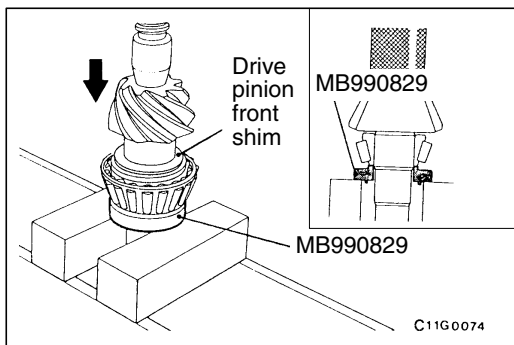


7. Remove the special tools.
8. Use a micrometer to measure the special tool in the places (B, C) shown in the illustration.



9. Install the bearing cap, and then use a cylinder gauge and micrometer to measure the inside diameter (D) of the bearing cap as shown in the illustration.
10. Calculate the thickness (E) of the required drive pinion front shim by the following formula, and then select a shim which most closely matches this thickness.

$$E = A + B + C - 1/2D - 86.0$$



11. Fit the selected drive pinion front shim(s) to the drive pinion, and press-fit the drive pinion front bearing inner race by using the special tool.

▶◀ DRIVE PINION ROTATION TORQUE ADJUSTMENT

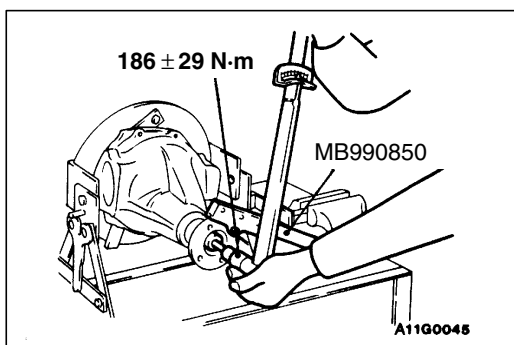
Adjust the drive pinion rotation torque by using the following procedure:

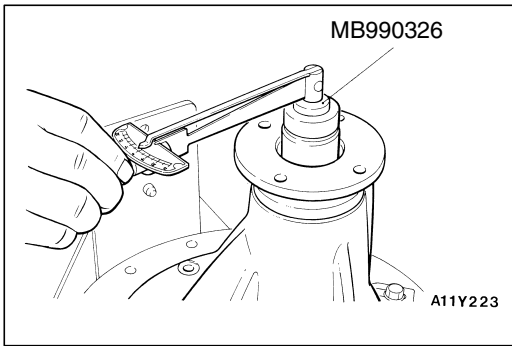
1. Insert the drive pinion into the gear carrier, and then install the drive pinion spacer, the drive pinion rear shim, the drive pinion rear bearing inner race, and the companion flange in that order.

NOTE

Do not install the oil seal.

2. Use the special tool to hold companion flange, and then tighten the self-locking nut to the specified torque.

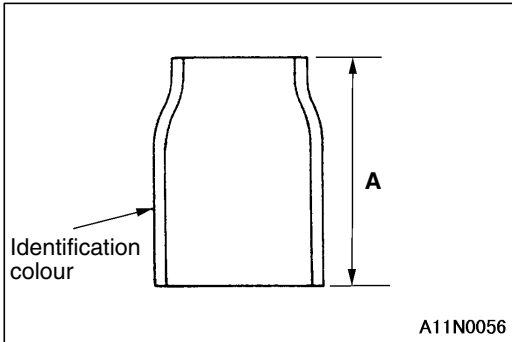




3. Measure the drive pinion rotation torque (without the oil seal) by using the special tool.

Standard value:

Bearing division	Bearing lubrication	Rotation torque N·m
New	None (With anti-rust agent)	0.88 – 1.17
New/reused	Gear oil applied	0.39 – 0.49

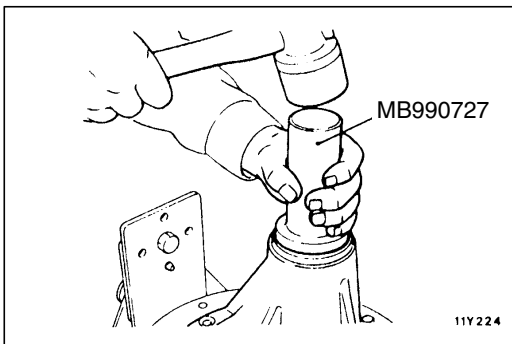


4. If the drive pinion rotation torque is not within the range of the standard value, adjust it by replacing the drive pinion rear shim(s) or the drive pinion spacer.

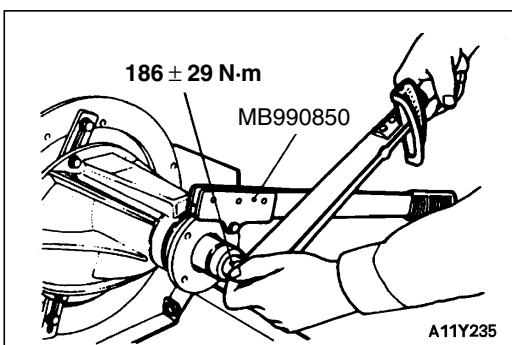
NOTE

When selecting the drive pinion rear shims, if the number of shims is large, reduce the number of shims to a minimum by selecting the drive pinion spacers. Also, select the drive pinion spacer from the following two types.

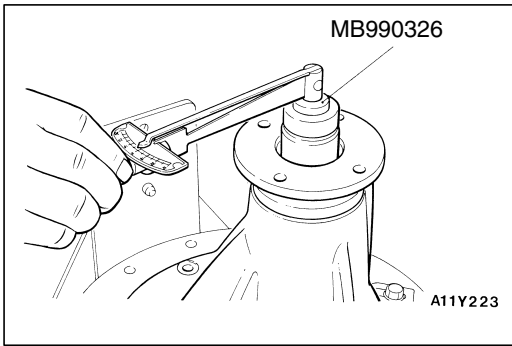
Drive pinion spacer height (A) mm	Identification colour
57.72	–
57.08	Red



5. Remove the companion flange and drive pinion again. Then, after inserting the drive pinion rear bearing inner race into the gear carrier, use the special tool to press-fit the oil seal.



6. Install the drive pinion assembly and companion flange with mating marks properly aligned, and use the special tool to hold the companion flange, and then tighten the self-locking nut to the specified torque.



7. Measure the drive pinion rotation torque (with the oil seal) by using the special tool.

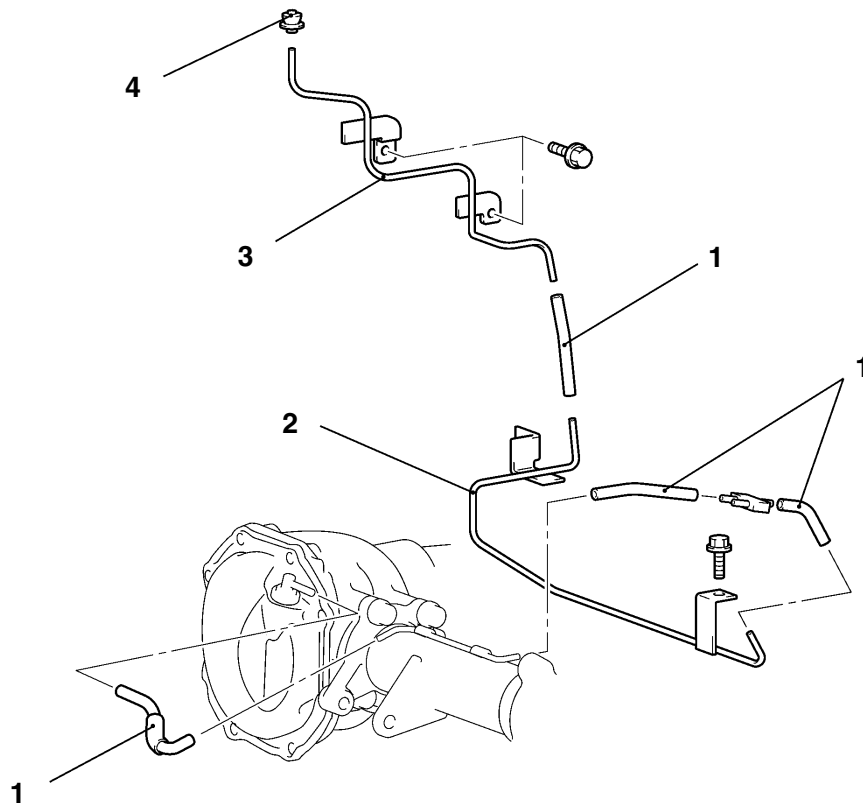
Standard value:

Bearing division	Bearing lubrication	Rotation torque N·m
New	None (With anti-rust agent)	0.98 – 1.27
New/reused	Gear oil applied	0.49 – 0.58

8. If the drive pinion rotation torque is not within the standard value, check the tightening torque of the companion flange self-locking nut and the oil seal installation condition.

VACUUM PIPES

REMOVAL AND INSTALLATION



A10007AL

Removal step

1. Vacuum hose
2. Vacuum pipe assembly

3. Vacuum pipe assembly
4. Breather cap



NOTES