

AUXILIARY DRIVE BELT

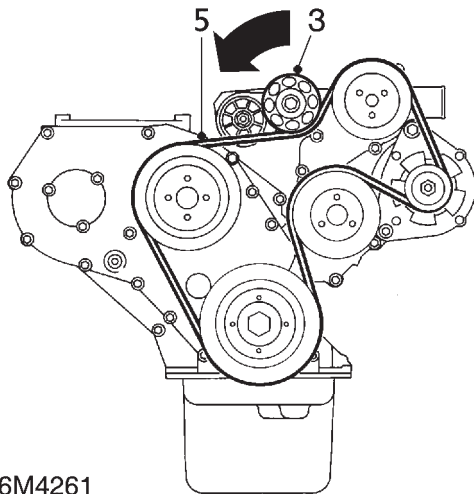
Service repair no - 86.10.03



NOTE: If cast lines on tensioner arm and tensioner spring case are aligned, a new drive belt must be fitted.

Remove

1. Disconnect battery.
2. Remove fan cowl *See COOLING SYSTEM, Repair, Fan cowl.*



86M4261

3. Apply ring spanner to tensioner pulley retaining bolt.
4. Turn spanner to release pulley tension from belt.
5. Detach belt from pulley.
6. Release tensioner.
7. Complete removal of belt. Mark direction on belt if refitting.

Refit

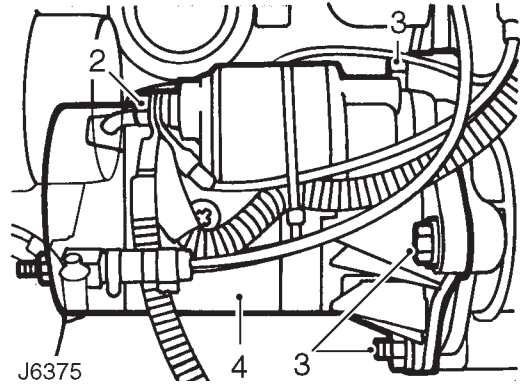
8. Using ring spanner, release pulley tensioner and fit new drive belt.
9. Remove ring spanner, drive belt will automatically tension.
10. Fit fan cowl *See COOLING SYSTEM, Repair, Fan cowl.*

STARTER MOTOR

Service repair no - 86.60.01

Remove

1. Disconnect battery.



2. Disconnect electrical leads from starter solenoid.
3. Remove 3 fixings securing starter motor to flywheel housing.
4. Withdraw starter motor.

Refit

5. Locate starter motor and secure to flywheel housing.
6. Reconnect electrical leads to starter solenoid.
7. Reconnect battery.