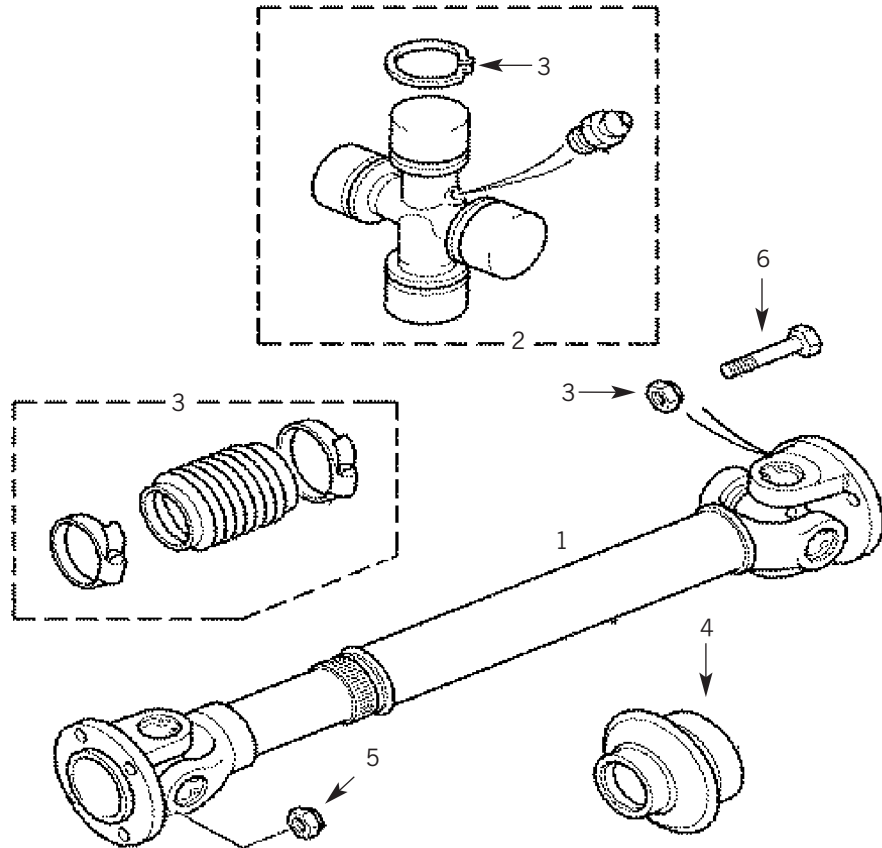




Propshafts

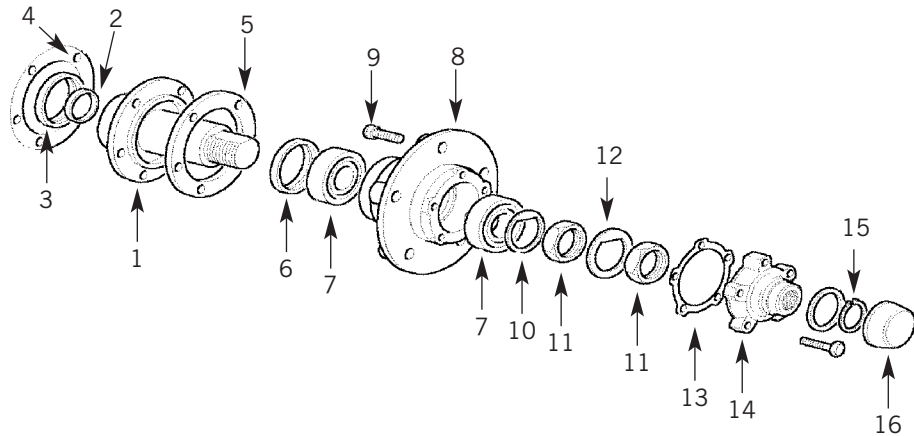


1	PROPSHAFT	SEE TABLE
2	UNIVERSAL JOINT	SEE TABLE
3	GAITER	276484
4	GAITER	TVE100000
5	NUT	NZ606041
6	BOLT	509045P

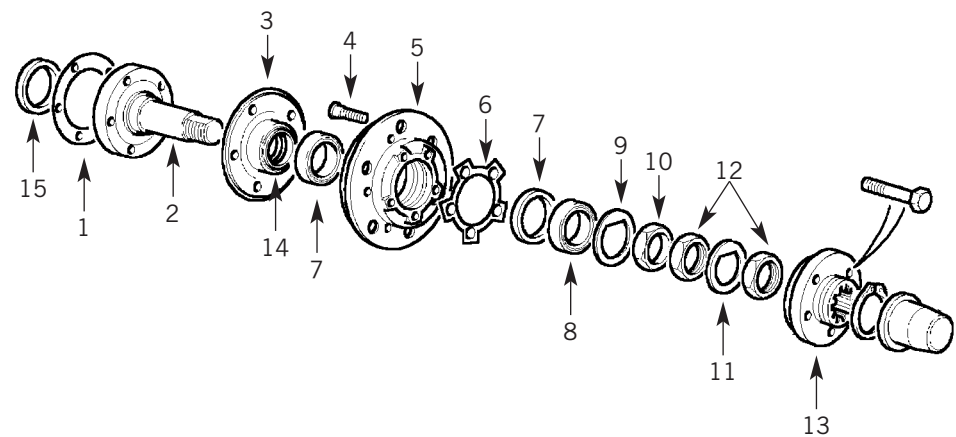
W/BASE APPLICATION	FROM VIN	TO VIN	PROPSHAFT		UNIVERSAL JOINT		
			FRONT	REAR	FRONT	REAR	
90	4 CYL	CA 252578	FRC5566	FRC7732	RTC3346	RTC3346	
90	4 CYL	CA 252579	LA 939975	FRC8390	FRC8392	RTC3458	RTC3458
90	300 TDI / TD5	MA 939976	ZA 612404	TVB100610	FRC8393	RTC3458	RTC3458
90	TD5	1A 612405		TVB100610	FRC8393	STC4807	RTC3458
90	V8	CA 254406		FRC6243	FRC8385	RTC3346	RTC3346
90	V8	CA 254407	ZA 612404	TVB100610	FRC8393	RTC3458	RTC3458
90	V8	1A 612405		TVB100610	FRC8393	STC4807	RTC3458
110	4 CYL	252442		FRC5566	591279	RTC3346	RTC3346
110	4 CYL	252443	CA 252578	FRC5566	FTC3245	RTC3346	RTC3346
110	4 CYL	CA 252578	LA 939975	FRC8390	FTC3245	RTC3458	RTC3458
110	DIESEL	LA 930435	LA 939975	FRC8390	FTC3905	RTC3458	RTC3458
110	DIESEL	MA 939976	ZA 612404	TVB100610	FTC3905	RTC3458	RTC3458
110	DIESEL	1A 612405		TVB100610	FTC3905	STC4807	RTC3458
110	V8	4 SPEED	CA 254406	FRC8388	FRC8389	RTC3346	RTC3346
110	V8	5 SPEED	CA 254406	FRC6243	FRC8389	RTC3346	RTC3346
110	V8	CA 254407	LA 937639	TVB100610	FRC8389	RTC3458	RTC3458
110	V8	LA 937640	ZA 612404	TVB100610	FTC3905	RTC3458	RTC3458
110	V8	1A 612405		TVB100610	FTC3905	STC4807	RTC3458
130	4 CYL	CA 252578		FRC5566	FTC1250	RTC3346	RTC3458
130	4 CYL	CA 252579	Jun-89	FRC8390	FTC1250	RTC3458	RTC3458
130	4 CYL	Jun-89	LA 939975	FRC8390	FTC1249	RTC3458	RTC3458
130	4 CYL	MA 939976	ZA 612404	TVB100610	FTC1249	RTC3458	RTC3458
130	TD5	1A 612405		TVB100610	FTC1249	STC4807	RTC3458
130	V8	CA 254406		FRC6243	RRC2303	RTC3346	RTC3458
130	V8	CA 254407	Jun-89	TVB100610	RRC2303	RTC3458	RTC3458
130	V8	Jun-89	ZA 612404	TVB100610	FTC1249	RTC3458	RTC3458
130	V8	1A 612405		TVB100610	FTC1249	STC4807	RTC3458



Hub Assembly Front



Hub Assembly Rear



UP TO CHASSIS NO. KA 930455 (- 93)

1	FRC4320	STUB AXLE FRONT	2
2	FRC3099	SEAL - STUB AXLE	2
3	FRC4319	SLEEVE - FRONT AXLE	2
4	FTC3648	GASKET - STUB AXLE	2
5	FRC2310	LOCKING PLATE	2
6	FTC4785	SEAL - HUB - INNER	2
7	STC4382	BEARING - HUB	2
8	FRC6139	HUB ASSEMBLY	2
9	FRC6137	STUD - STUB AXLE	10
10	217352	LOCKING WASHER	2
11	FRC8700	LOCKNUT	4
12	217353	LOCKING WASHER	2
13	FRC3988	GASKET - DRIVE SHAFT	2
14	FRC5806	FLANGE - DRIVE SHAFT	2
15	549473	CIRCLIP	2
16	FRC4377	CAP	2

CHASSIS NO. LA 930456 - WA 159806 (93-99)

1	FTC3154	STUB AXLE FRONT	2
5	FRC2310	LOCKING PLATE	2
6	FTC4785	SEAL - HUB - INNER	2
7	STC4382	BEARING - HUB	2
8	FTC942	HUB ASSEMBLY	2
9	FRC5926	STUD - STUB AXLE	10
10	FTC3185	LOCKING WASHER	2
10	FTC5241	LOCKING WASHER*	2
11	FRC8700	LOCKNUT	4
12	FTC3179	LOCKING WASHER	2
13	571752	GASKET - DRIVE SHAFT	2
14	FTC859	FLANGE - DRIVE SHAFT	2
15	549473	CIRCLIP	2
16	FTC5414	CAP	2

* FROM TA 996983

UP TO CHASSIS NO. KA 930455 (- 93)

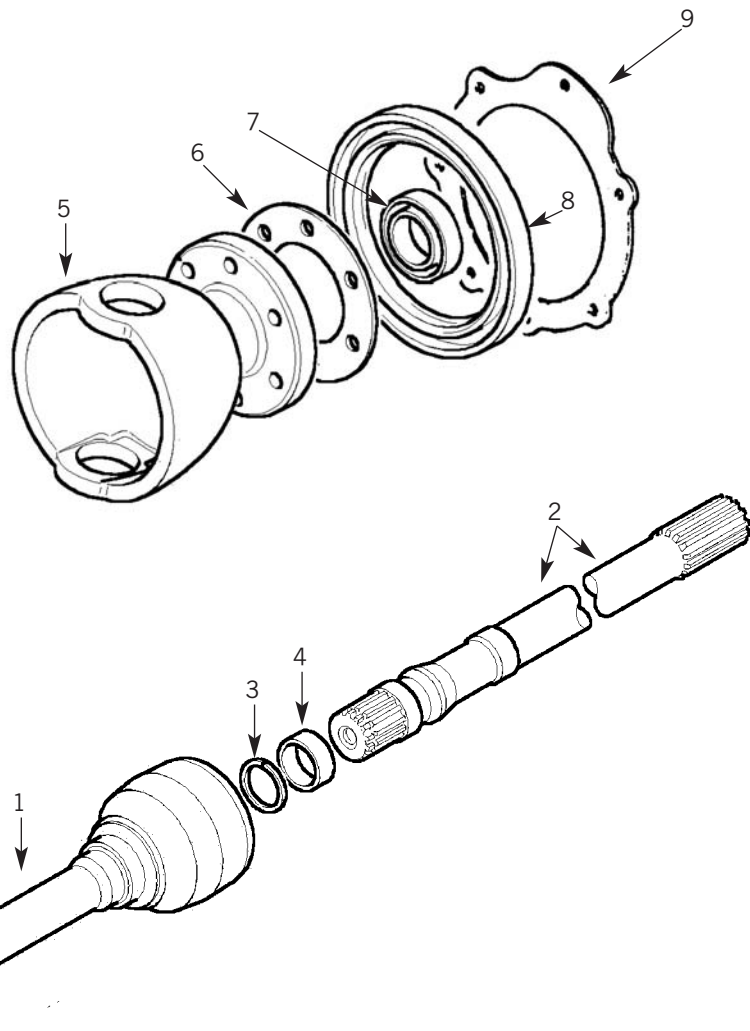
1	FTC3649	GASKET - STUB AXLE	2
2	FRC8540	STUB AXLE	2
3	FRC3147	SPACER	2
4	FRC6137	STUD	10
5	FRC8555	HUB ASSEMBLY	2
6	FRC3988	GASKET	2
7	RTC3429	BEARING	4
8	FRC8222	SEAL	2
9	217352	LOCK WASHER	2
10	FRC8227	SPACER	2
11	FRC8002	LOCK WASHER	2
12	FRC8700	LOCK NUT	4
13	FRC5806	FLANGE	2
14	FTC4785	OIL SEAL	2

CHASSIS NO. LA 930456 - WA 159806 (93-99)

1	FTC3650	GASKET - STUB AXLE	2
2	FTC3188	STUB AXLE - 90	2
2	FTC1740	STUB AXLE - 110	2
3	FRC2310	LOCKING PLATE	2
4	FRC5926	STUD	10
5	FTC942	HUB ASSEMBLY	2
6	571752	GASKET - STUB AXLE	2
7	STC4382	BEARING	4
9	FTC3185	LOCK WASHER	2
9	FTC5241	LOCK WASHER*	2
11	FTC3179	LOCK WASHER	2
12	FRC8700	LOCK NUT	4
13	FTC859	FLANGE (110)	2
14	FTC4785	OIL SEAL	2
15	FTC5268	OIL SEAL	2



Driveshafts



TO KA 930456 - 23 SPLINE

1	AEU 2522	CV JOINT
2	AEU2520	HALF SHAFT RH
2	AEU2521	HALF SHAFT LH
3	RTC4820	CIRCLIP
4	FTC254	SPACER

TO KA 930456 - 33 SPLINE

1	RTC 6862	CV JOINT
2	RTC6754	HALF SHAFT RH
2	RTC6755	HALF SHAFT LH
3	STC579	CIRCLIP
4	RTC5841	SPACER

LA 930456 - WA 159806

1	STC3051	CV JOINT
2	STC3049	HALF SHAFT RH
2	STC3050	HALF SHAFT LH
3	STC579	CIRCLIP
4	RTC5841	SPACER

XA 159807 ON

1	TDJ000010	CV JOINT
2	TDC000020	HALF SHAFT RH
2	TDC000030	HALF SHAFT LH
3	TDL000010	CIRCLIP
4	TYF000010	SPACER

REAR AXLE SHAFTS

FRC2454	RH	110	TO LA930434	With rear brake drums
FRC2455	LH	110	TO LA930434	With rear brake drums
FTC1724	RH	110	FROM LA930435	With rear brake discs
FTC1725	LH	110	FROM LA930435	With rear brake discs
FRC7680	RH	90	TO KA930455	UP TO AXLE 22S64620E
FRC7681	LH	90	TO KA930455	UP TO AXLE 22S64620E
FTC3732	RH	90	TO KA930455	FROM AXLE 22S64621E
FTC3731	LH	90	TO KA930455	FROM AXLE 22S64621E
FRC8094	RH	90	TO KA930455	4 PINION V8 With rear brake drums
FRC8095	LH	90	TO KA930455	4 PINION V8 With rear brake drums
FTC3270	RH	90	FROM LA930456	24 SPLINE
FTC3271	LH	90	FROM LA930456	24 SPLINE

TO KA 930455

5	FTC5105	SWIVEL HOUSING
6	FTC3646	JOINT WASHER
7	571718	OIL SEAL
8	FTC3401	OIL SEAL

LA 930435 - VA 104814

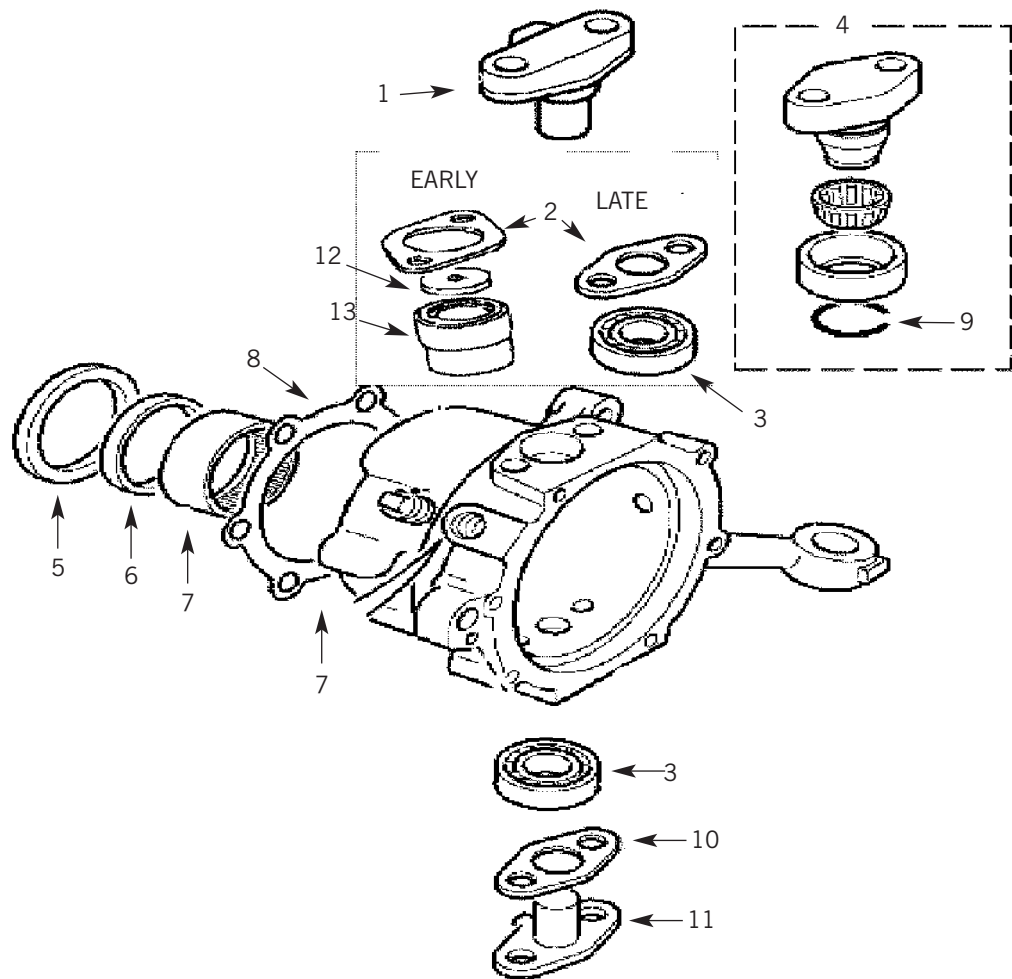
5	FRC7065	SWIVEL HOUSING
6	FTC3646	JOINT WASHER
7	FTC3276	OIL SEAL
8	FTC3401	OIL SEAL

VA104815 ON

5	FTC5366	SWIVEL HOUSING
6	FTC3646	JOINT WASHER
7	FTC3276	OIL SEAL
8	FTC3401	OIL SEAL
9	FRC4206	GASKET



Swivel Pin Housing



TO KA 930455

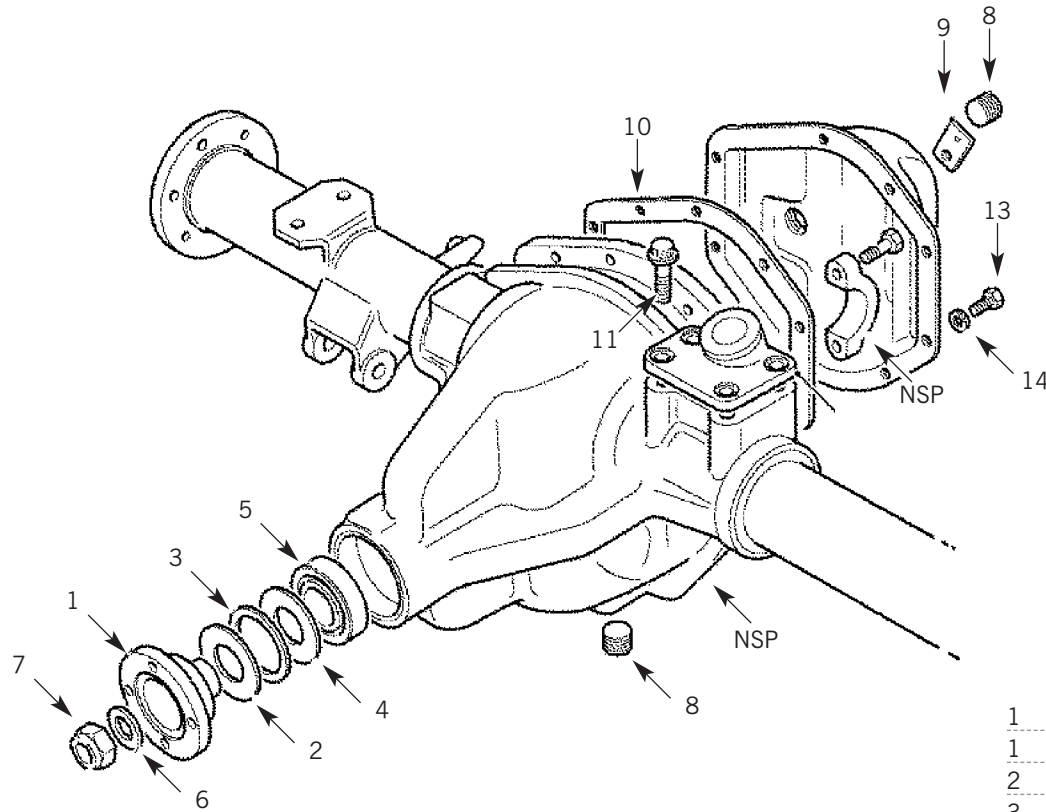
1	FRC3511	UPPER PIN
2	FRC2883	SHIM 0.003"
2	FRC2884	SHIM 0.005"
2	FRC2885	SHIM 0.01"
2	FRC2886	SHIM 0.03"
3	606666	BEARING
10	FTC3647	GASKET
11	FRC2894	LOWER PIN
12	FRC2906	THRUST WASHER
13	FRC2916	SWIVEL PIN HOUSING

FROM LA 930456

1	FTC2882	UPPER PIN
2	FRC2883	SHIM 0.003"
2	FRC2884	SHIM 0.005"
2	FRC2885	SHIM 0.01"
2	FRC2886	SHIM 0.03"
3	606666	BEARING
4	TAR100040	UPPER PIN KIT NON ABS
4	TAR100050	UPPER PIN KITABS
5	FTC56	HUB THRUST WASHER
6	FTC840	SEAL - OUTER
6	FTC5268	SEAL - INNER
7	FTC861	BEARING
8	FTC3648	GASKET
9	TYX100570	O-RING
10	FTC3647	GASKET
11	FRC2894	LOWER PIN
STC3435		One Shot Swivel Housing Grease



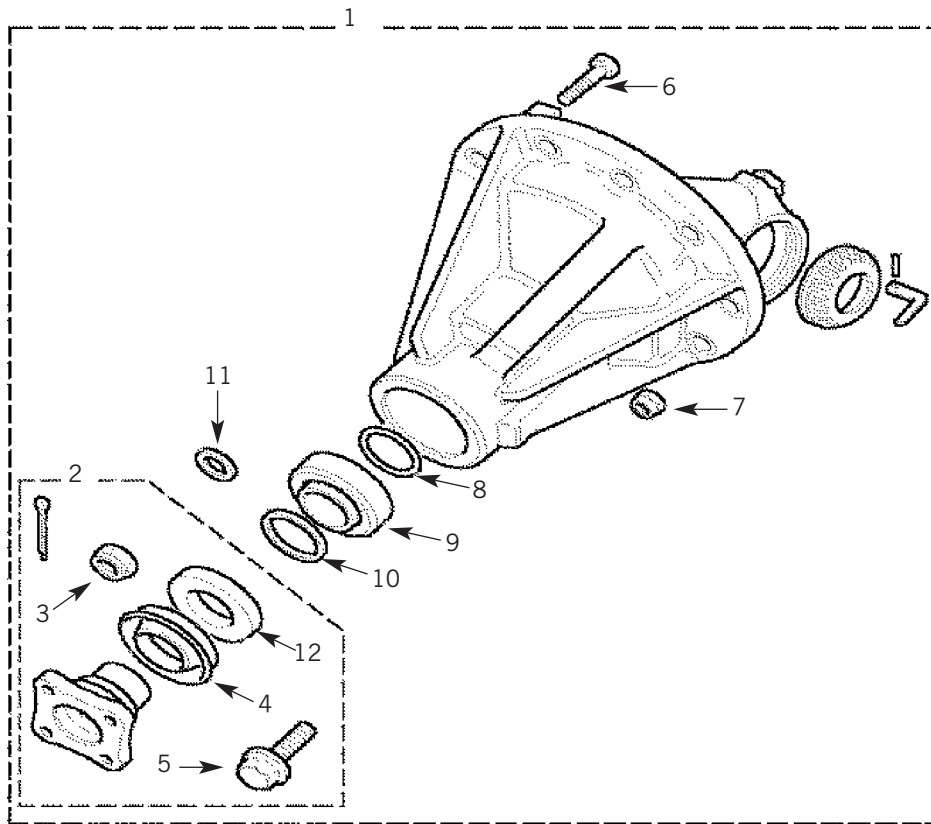
Salisbury Rear Axle



1	STC4457	KIT - FLANGE	TO WA 159806
1	STC4403	KIT - FLANGE	FROM XA 159807
2	607183	GASKET	
3	AEU2515	SEAL	TO WA 159806
3	STC4401	SEAL	FROM XA 159807
4	607182	WASHER	
5	607181	BEARING	
6	607357	THRUST WASHER	
7	90608545	LOCK NUT	
8	608246	DRAIN / FILLER PLUG	
9	NRC5346	BRAKE PIPE BRACKET	
10	RTC1139	GASKET	
11	AEU2508	BOLT	
12	607163	BOLT	
13	607173	BOLT	
14	AAU2825	WASHER	



Differential Assembly



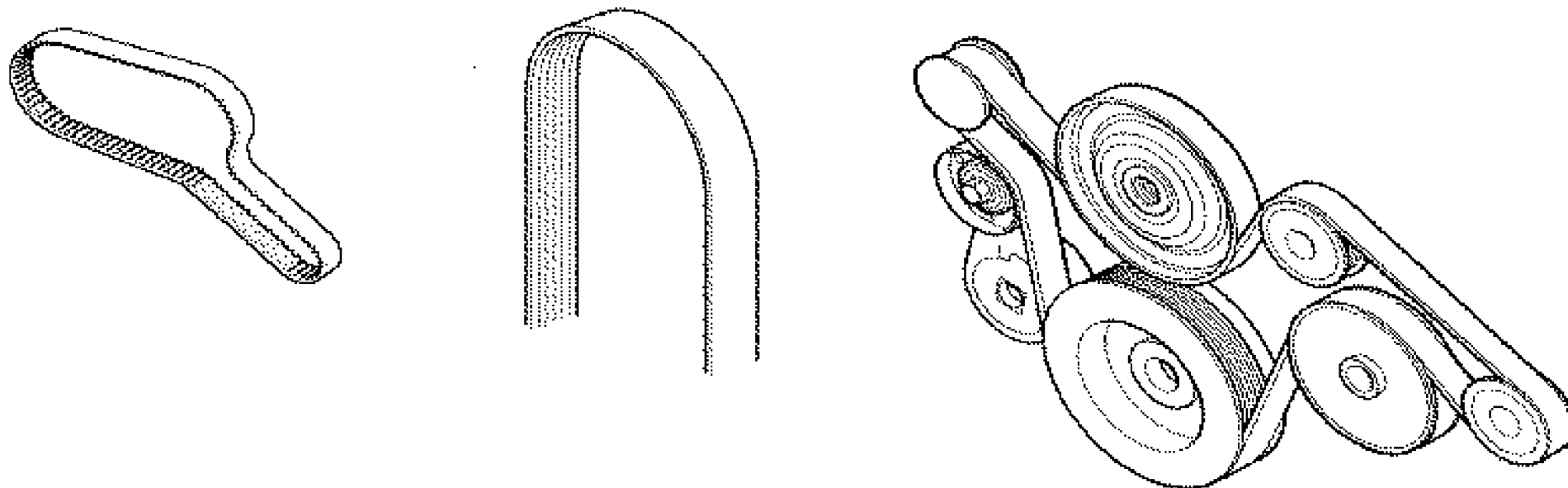
1	FTC2750	DIFFERENTIAL	FRONT	TO KA 930454	
1	FTC5142	DIFFERENTIAL	FRONT	FROM LA 930455	
1	FTC2750	DIFFERENTIAL	REAR	TO KA 930454	2 PIN
1	TBB100980	DIFFERENTIAL	REAR	TO KA 930454	4 PIN
1	FTC5142	DIFFERENTIAL	REAR	FROM LA 930455	2 PIN*
1	TBB100980	DIFFERENTIAL	REAR	FROM LA 930455	4 PIN
2	STC3722	FLANGE KIT			
3	3259	CASTLE NUT		TO KA 930454	
3	NY116041L	NYLOC NUT		FROM LA 930455	
4	FRC8154	MUDSHIELD		TO KA 930454	
5	FS112301P	BOLT		FROM LA 930455	
6	BH112101L	BOLT			
7	NY606041L	NYLOC NUT			
8	MULTIPLE	SHIM			
9	539707	BEARING			
10	539745	SPACER			
11	90513454	WASHER		TO KA 930454	
11	FTC5413	WASHER		FROM LA 930455	
12	FRC8220	SEAL - PINION	FRONT	TO KA 930454	
12	FRC8220	SEAL - PINION	FRONT	FROM LA 930455	
12	FTC5258	SEAL - PINION	FRONT	FROM LA 930455	
12	FRC4586	SEAL - PINION	REAR	TO KA 930454	TO 22S 08283B
12	FTC5258	SEAL - PINION	REAR	TO KA 930454	FROM 22S 08283B
12	FRC8220	SEAL - PINION	REAR	LA 930455 - VA 102732	
12	FTC5258	SEAL - PINION	REAR	FROM VA 102733	

* FOR FITMENT TO REAR 90", SUPPLY 2xTYF101160



Engine Belts

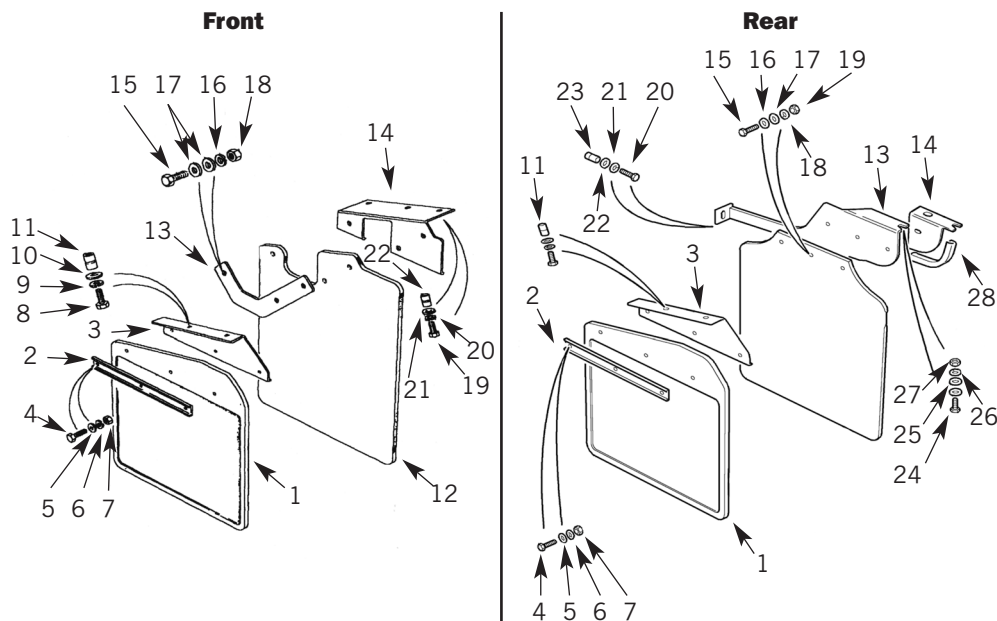
Other Engine parts:
Miscellaneous Parts p24
Timing p25
Gaskets p32
Service Items p33



ENGINE	NOTE	YEAR	FAN	PAS	AIR CON	ALTERN	IDLER	TIMING	
2.25 PET/DIES		83 on	563132	ERC5146		as fan		ETC5191	CHAIN
2.5 PETROL			563132	ERC5146		as fan		ETC5191	CHAIN
2.25 PET/DIES	WITH A/CON	83 on	ERC8938	ETC4272	ERC6072	as fan	ERC6072	ETC5191	CHAIN
2.5 PETROL	WITH A/CON	83 on	ERC8938	ETC4272	ERC6072	as fan	ERC6072	ETC5191	CHAIN
2.5 DIES NA		84 on	563132	ERC5146		as fan		ETC7333	BELT
2.5 TD		86 on	ETC7939	ETC5815		as fan		ETC7333	BELT
2.5 TD	A/CON	86 on	ETC7939	ETC4272	ETC4371	as fan		ETC7333	BELT
200TDI		90 on	ETC7939	ETC5815	ETC9009	as fan		ETC8550	BELT
300TDI		94-96	ERR3287	ERR810	ERR2215	ERR3287		ERR1092	BELT
300TDI		96 on	ERR5911	ERR5911		ERR5911		ERR1092	BELT
3.5 V8		83 on	613602	614106		ETC7394		ERC7929	CHAIN
3.5 V8	A/CON no PAS	83 on	614670		603713	ERC8852	614106	ERC7929	CHAIN
3.5 V8	A/CON + PAS	83 on	614670	ERC675	603713	ERC8852		ERC7929	CHAIN
TD5		99 on	PQS101490	PQS101490		PQS101490		LXB100090	
TD5	A/CON	99 on	PQS101500	PQS101500	PQS101500	PQS101500		LXB100090	



Mudflaps



REAR MUDFLAPS - 90

12	MUC2344	MUDFLAP	RH	TO FA 414686
12	MXC6412	MUDFLAP	RH	FA 414687 - WA 159806
12	CAT100960	MUDFLAP	RH	FROM XA 159807
12	MUC2345	MUDFLAP	LH	TO AA 2*
12	MUC3990	MUDFLAP	LH	AA 2* - FA 414686
12	MXC6413	MUDFLAP	LH	FA 414687 - WA 159806 V8
12	CAT100970	MUDFLAP	LH	FROM XA 159807 TD5
12	CAT101110	MUDFLAP	LH	FROM XA 159807
13	MUC1512	BRACKET	(2)	
14	MUC3984	BRACKET	RH	TO AA 2*
14	MUC3986	BRACKET	RH	AA 2* - WA 138479
14	CAT100960	BRACKET	RH	FROM WA 138480
14	MUC3985	BRACKET	LH	TO AA 2*
14	MUC3987	BRACKET	LH	AA 2* - WA 138479
14	CAT101110	BRACKET	LH	FROM WA 138480
15	FS106255L	BOLT	(6)	
16	WL106001L	WASHER	(6)	
17	WA106041L	WASHER	(6)	
18	NY106047L	NUT	(6)	
19	FS106167L	BOLT	(6)	
20	WL106001L	WASHER	(6)	
21	NN106021	NUTSERT	(2)	
22	WA106041L	WASHER	(6)	
23	MTC7513	EDGING STRIP	A/R	

FRONT MUDFLAPS - 90/110/130

1	RTC4685	MUDFLAPS	PAIR	
2	MTC3874	STIFFENER	(2)	
3	MTC3000	BRACKET	RH	
3	MTC3001	BRACKET	LH	
4	FS106255L	SCREW	(6)	
5	WA106041L	WASHER	(6)	
6	WL106001L	WASHER	(6)	
7	NY106047L	NYLOC NUT	(6)	
8	FS106201L	SCREW	(4)	
9	WL106001L	WASHER	(4)	
10	WA106041L	WASHER	(4)	
11	NN106021	NUTSERT	(4)	

REAR MUDFLAPS - 110/130

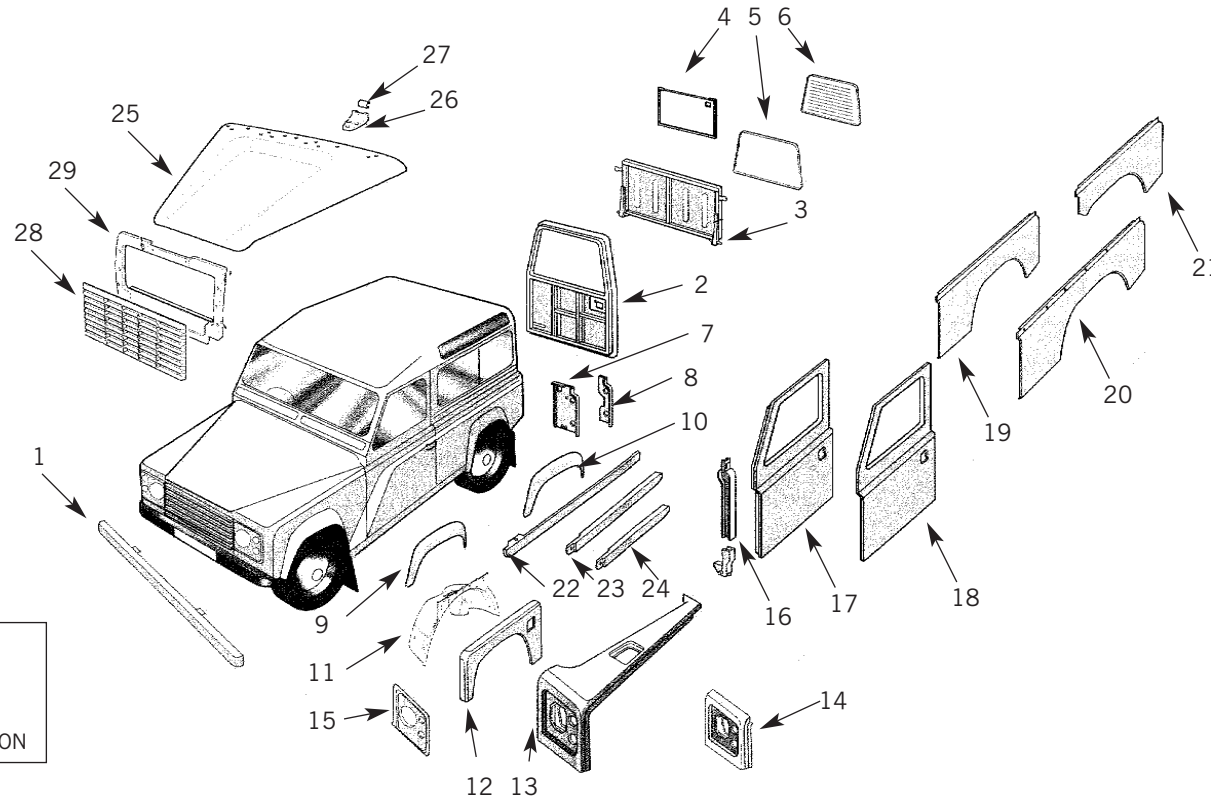
12	BTR277	MUDFLAP	EACH	
13	CAT000080PMA	BRACKET	RH	A
13	CAT000100PMA	BRACKET	RH	B
13	MTC8357	BRACKET	LH	
14	MTC8440	BRACKET	RH	
14	MTC8441	BRACKET	LH	
15	FS106167L	BOLT	(6)	
16	WJ600041L	WASHER	(6)	
17	WC106041L	WASHER	(6)	
18	WL106001L	WASHER	(6)	
19	NY106047L	NYLOC NUT	(6)	
20	FS106201L	BOLT	(2)	
21	WL106001L	WASHER	(2)	
22	WA106041L	WASHER	(2)	
23	NN106011	NUTSERT	(2)	C
23	AWR6715	NUTSERT	(2)	D
24	FS106167L	SCREW	(4)	
25	WA108051L	WASHER	(8)	
26	WL106001L	WASHER	(4)	
27	NY106047L	NYLOC NUT	(6)	
28	MTC7513	EDGING STRIP	A/R	

NOTES

- A REGULAR / STATION WAGON
- B HI-CAP
- C TO 2A 622594
- D FROM 2A 622595
- * SOFT TOP AA 232010
- * HARD TOP AA 253494



Body Parts



NOTES

- 1 ROPE CLEATS
- 2 REAR FUEL FILLER
- 3 FRONT FUEL FILLER
- 4 CREW CAB+STATION WAGON

1	NRC9211	FRONT BUMPER	GALVANISED	TO EA 314291
1	NTC4657	FRONT BUMPER	BLACK	EA 314291 - VA 138479
1	DPB104270	FRONT BUMPER	BLACK	WA 138480 ON
2	ALR6852	REAR END DOOR		TO 1A 622423
2	BIC710250	REAR END DOOR		FROM 2A 622424
3	320604	TAILBOARD	CHAIN	
3	MUC8736	TAILBOARD	CABLE	
4	BR 1716A	REAR END DOOR SKIN		
5	MTC3469	REAR DOOR GLASS	CLEAR UNHEATED	TO EA 344187
5	MWC4712	REAR DOOR GLASS	CLEAR UNHEATED	EA 340457 ON
6	MTC8951	REAR DOOR GLASS	TINTED HEATED	TO EA 340456
6	MWC4713	REAR DOOR GLASS	TINTED HEATED	EA 344188 ON
6	CQB101560	REAR DOOR GLASS	BRAKE LIGHT	WA138480 ON
7	MTC7980	REAR 1/4 PANEL	RH	TO LA 939975
7	MTC7981	REAR 1/4 PANEL	LH	TO LA 939975
7	STC1854	REAR 1/4 PANEL	RH	FROM MA939976
7	STC1855	REAR 1/4 PANEL	LH	FROM MA939976

8	MXC8934	REAR CAPPING	RH	TO LA 939975
8	MXC8935	REAR CAPPING	LH	TO LA 939975
8	AQL710021	REAR CAPPING	RH	FROM MA939976
8	AQL710031	REAR CAPPING	LH	FROM MA939976
9	MRC9378	FRONT EYEBROW	RH	BLACK
9	MRC9377	FRONT EYEBROW	LH	BLACK
9	MTC6874P	FRONT EYEBROW	RH	PRIMED
9	MTC6875P	FRONT EYEBROW	LH	PRIMED
10	ALO710010	REAR EYEBROW		BLACK
10	MTC6873P	REAR EYEBROW		PRIMED
11	AWJ710090	FRONT WHEEL ARCH	RH	TO LA 939975 + 300TDI
11	ASR2250	FRONT WHEEL ARCH	RH	NON TDI MA 939976 - WA 159806
11	AWJ710060	FRONT WHEEL ARCH	RH	FROM XA 159807
11	ASR2257	FRONT WHEEL ARCH	LH	TO LA 939975 + 300TDI
11	ASR2253	FRONT WHEEL ARCH	LH	NON TDI MA 939976 - WA 159806
11	AWJ710040	FRONT WHEEL ARCH	LH	FROM XA 159807

continued...



Body Parts (continued – key to diagram on previous page)

BEARMA CH

12 RTC6351	WING SKIN	RH		ALL TO LA 939975	18 STC569	FRONT DOOR SKIN	RH		TO AA270226
12 ALR6678	WING SKIN	RH		PETROL	18 STC570	FRONT DOOR SKIN	LH		TO AA270226
12 ALR6122	WING SKIN	RH		300TDI	18 ALR6256S	FRONT DOOR SKIN	RH		AA 270226 - 2A 622423
12 ASB710260	WING SKIN	RH		TD5	18 ALR6257S	FRONT DOOR SKIN	LH		AA 270226 - 2A 622423
12 RTC6350	WING SKIN	LH		PET + N/A DIESEL	19 RTC6283	REAR WING SKIN	RH	90	TO WA 159806
12 RTC6352	WING SKIN	LH		TURBO DIESEL + 200TDI	19 ALA710680	REAR WING SKIN	RH	90	FROM XA 159807
12 ALR6121	WING SKIN	LH		ALL FROM MA 939976	19 RTC6284	REAR WING SKIN	LH	90	
12 ASB710270	WING SKIN	LH		TD5	19 STC1617	REAR WING SKIN	RH	90 SV	TO LA 939975
13 MXC9343	WING ASSY	RH		TO LA 939975	19 STC1616	REAR WING SKIN	LH	90 SV	TO LA 939975
13 MXC9400	WING ASSY	LH		TO LA 939975	20 RTC5711	REAR WING SKIN	RH	110	TO LA 939975
13 ALR9936	WING ASSY	RH		MA 939976 - WA 159806	20 MUC3309	REAR WING SKIN	RH	110	TO LA 939975 (1,2,3)
13 ALR9962	WING ASSY	RH	AIR CON	TA 977537 - WA 159806	20 RTC6257	REAR WING SKIN	RH	110	TO LA 939975 (1,3)
13 ALR9935	WING ASSY	LH		MA 939976 - WA 159806	20 RTC5710	REAR WING SKIN	RH	110	TO WA159806 (2)
13 ASB710200	WING ASSY	RH		FROM XA 159807	20 ALA710690	REAR WING SKIN	RH	110	FROM XA 159807
13 ASB710210	WING ASSY	LH		FROM XA 159807	20 RTC5712	REAR WING SKIN	LH	110	
13 STC914	WING ASSY	RH	90 SV	TO LA 939975	21 RTC6291	REAR WING SKIN	RH	110	TO WA 159806 (4)
13 STC915	WING ASSY	LH	90 SV	TO LA 939975	21 ALA710680	REAR WING SKIN	RH	110	FROM XA 159807 (4)
14 RTC6353	NOSE PANEL	RH		TO LA 939975	21 MRC5071	REAR WING SKIN	LH	110	(4)
14 RTC6354	NOSE PANEL	LH		TO LA 939975	22 RTC6205	FRONT SILL	RH		
14 ALR5990	NOSE PANEL	RH		MA 939976 - WA 159806	22 RTC6206	FRONT SILL	LH		
14 ALR5989	NOSE PANEL	LH		MA 939976 - WA 159806	22 ALR3362	FRONT SILL	RH	90 SV / 50LE	
14 ASW710140	NOSE PANEL	RH		FROM XA 159807	22 ALR3363	FRONT SILL	LH	90 SV / 50LE	
14 ASW710150	NOSE PANEL	LH		FROM XA 159807	23 MRC5049	REAR SILL	RH	110	
15 BTR7850PUC	FINISHER	RH		TO WA159806	23 MRC5050	REAR SILL	LH	110	
15 BTR7849PUC	FINISHER	LH		TO WA159806	24 MTC8292	REAR SILL	RH	90	
15 DHH100780PUC	FINISHER	RH		FROM XA 159807	24 MTC8293	REAR SILL	LH	90	
15 DHH100790PUC	FINISHER	LH		FROM XA 159807	25 RTC6213	BONNET ASSY			
16 BA 2012	DOOR PILLAR	RH			25 ALR5835	BONNET ASSY			
16 BA 2011	DOOR PILLAR	LH			25 BKA710080	BONNET ASSY			
17 STC542	FRONT DOOR ASSY	RH		TO AA270226	25 ALR7544	BONNET ASSY			
17 STC543	FRONT DOOR ASSY	LH		TO AA270226	25 ALR6107	BONNET ASSY			
17 BDA110060	FRONT DOOR ASSY	RH		AA 270226 - 2A 622423	26 AHU710010	HINGE			
17 BDA110070	FRONT DOOR ASSY	LH		AA 270226 - 2A 622423	27 346849	BUSH			
17 BDA710020	FRONT DOOR ASSY	RH		FROM 2A 622424	28 ALR8765PUC	GRILLE			
17 BDA710030	FRONT DOOR ASSY	LH		FROM 2A 622424	29 ASJ710050	SUPPORT PANEL	NON A/CON		
17 ALR9896	REAR SIDE DOOR ASSY	RH	110	TO 2A 622423	29 ASJ710040	SUPPORT PANEL	NON A/CON	TD5	
17 ALR9895	REAR SIDE DOOR ASSY	LH	110	TO 2A 622423	29 ASJ710010	SUPPORT PANEL	ALL A/CON		
17 BFL710020	REAR SIDE DOOR ASSY	RH	110	FROM 2A 622424					
17 BFL710030	REAR SIDE DOOR ASSY	LH	110	FROM 2A 622424					

Tel: +44 (0)29 20 856 550

Manufacturers' part numbers are used for reference purposes only

QUICK REFERENCE

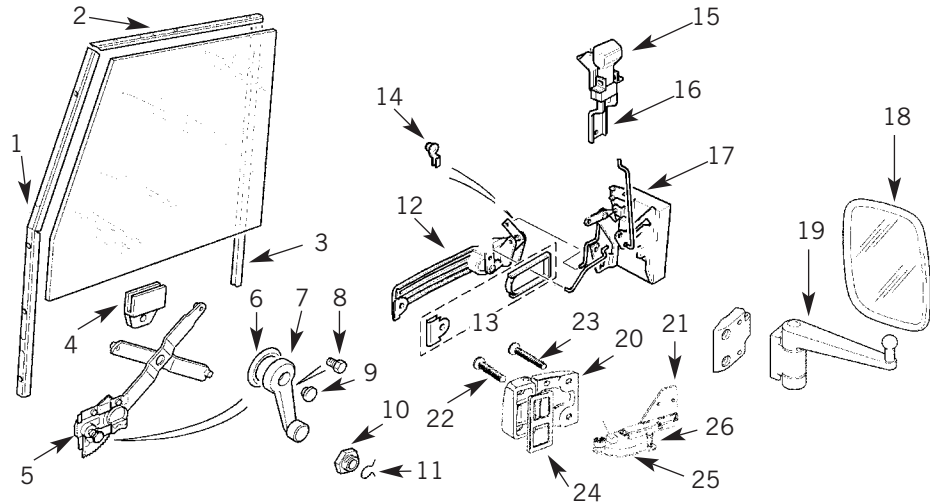
PAGE
10

PARTS SUITABLE FOR
LAND ROVER DEFENDER



B
E
A
R
M
A
C
H

Door Furniture



1	MUC4071	CHANNEL	TO EA 340456
1	CFE000710	CHANNEL	FROM EA 340457
2	MTC8468	CHANNEL	TO EA 340456
2	MXC5832	CHANNEL	FROM EA 340457
3	MUC4072	CHANNEL	TO EA 340456
3	CFE000720	CHANNEL	FROM EA 340457
4	MTC8477	CHANNEL	TO LA 932529
4	STC4787	CLIP	FROM LA 932530
5	MUC3024	REGULATOR RH	TO LA 932529
5	MUC3025	REGULATOR LH	TO LA 932528
5	ALR4532	REGULATOR RH	FROM LA 932530
5	ALR4533	REGULATOR LH	FROM LA 932530
5	CUH000100	REGULATOR RH	FROM 2A (MAN)
5	CUH000110	REGULATOR LH	FROM 2A (MAN)
5	CUH000090	REGULATOR RH	FROM 2A (ELEC)
5	CUH000080	REGULATOR LH	FROM 2A (ELEC)
6	JPC9023PMA	ESCUTCHEON	TO LA 932529
6	BTR6620	ESCUTCHEON	FROM LA 932530
7	RTC3939PA	HANDLE	TO LA 932529
7	BTR6620PA	HANDLE	FROM LA 932530

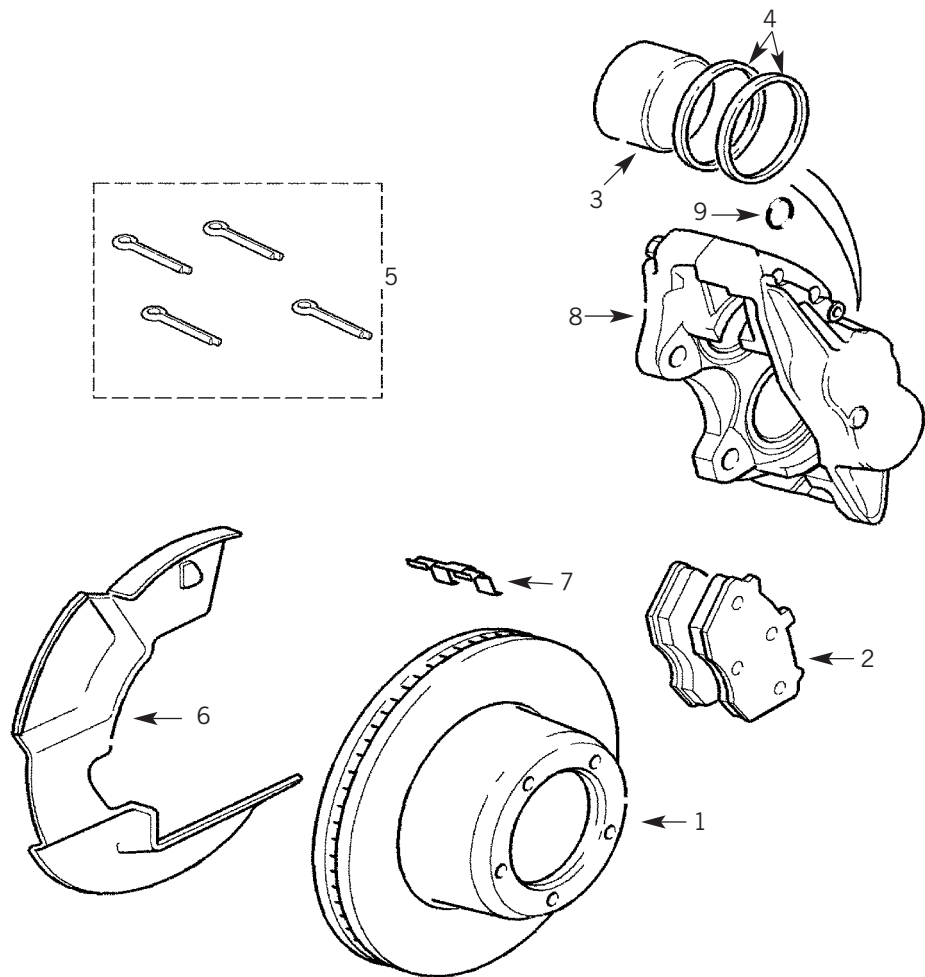
8	ADU5727L	SCREW	
9	YXX3200PMA	CAP	
10	ALR5821	CLIP	
11	BNP4556L	CLIP	
12	MXC7652	HANDLE RH	AA 270227 - 1A 622423
12	MXC7651	HANDLE LH	AA 270227 - 1A 622423
12	CXB000020PMA	HANDLE RH	
12	CXB000030PMA	HANDLE LH	
13	STC617	SEAL KIT	
14	634604	CLIP	AA 270227 - HA 703843
14	BRC1393	CLIP	FROM HA 703844
15	JRC1775PMA	BUTTON	
16	EJS000010PMA	HOUSING	
17	MUC6980	LATCH RH	TO AA 270226
17	MUC6979	LATCH LH	TO AA 270226
17	FQJ103160	LATCH RH	AA 270227 - 1A 622423
17	FQJ103170	LATCH LH	AA 270227 - 1A 622423
17	FQJ000100PMA	LATCH RH	FROM 2A 622424
17	FQJ000110PMA	LATCH LH	FROM 2A 622424
18	MTC5084	MIRROR HEAD	
19	MTC5083	MIRROR ARM	
20	MXC8284	HINGE-UPPER	RH TO WA 138479
20	MXC8285	HINGE-UPPER	LH TO WA 138479
20	BDB710160	HINGE-UPPER	RH FROM WA 138480
20	BDB710170	HINGE-UPPER	LH FROM WA 138480
20	MXC8282	HINGE-LOWER	RH TO WA 138479
20	MXC8283	HINGE-LOWER	LH TO WA 138479
20	BDB710180	HINGE-UPPER	RH FROM WA 138480
20	BDB710190	HINGE-UPPER	LH FROM WA 138480
21	MUC6164	CHANNEL RH	TO AA 303555
21	MUC6163	CHANNEL LH	TO AA 303555
21	MWC5018	CHANNEL RH	AA 303556 ON
21	MWC5019	CHANNEL LH	AA 303556 ON
22	79221	BOLT TO B/HEAD	TO VA 138479
22	BYG100140L	BOLT TO B/HEAD	FROM WA 138480
23	ASR1603	BOLT TO DOOR	TO VA 138479
23	BYG100150L	BOLT TO DOOR	FROM WA 138480
24	347369	PLASTIC SHIM	TO VA 138479
24	BHC710010	PLASTIC SHIM	FROM WA 138480
25	MUC1888	CHECK ARM RH	TO AA 303555
25	MUC1889	CHECK ARM LH	TO AA 303555
25	ALR2321	CHECK ARM RH	AA 303556 ON
25	ALR2322	CHECK ARM LH	AA 303556 ON
26	306564	CLEVIS PIN	TO AA 303555
26	PC108321L	CLEVIS PIN	AA 303556 ON

PARTS SUITABLE FOR
LAND ROVER DEFENDER



Brakes

Front



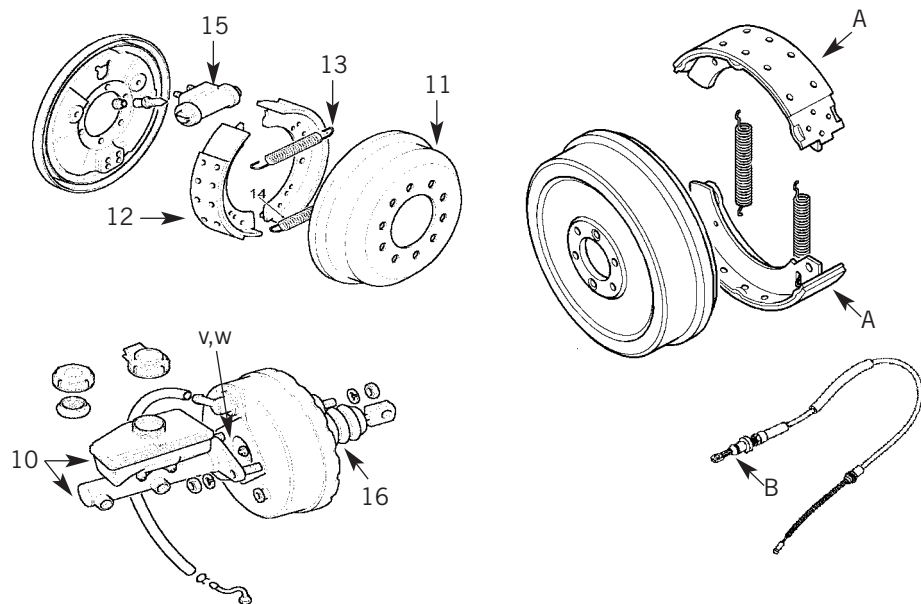
NO.	PART NO.	DESCRIPTION	VEH	NOTE
1	FRC7329	BRAKE DISC	C,D	A
1	FRTC902	BRAKE DISC	C,D	B
2	STC2956	BRAKE PADS	C	E,G
2	STC9150	BRAKE PADS	C	F,H
2	STC2950	BRAKE PADS	D	P
2	STC2952	BRAKE PADS	C	J
2	SFP000260	BRAKE PADS	C	K
2	STC2952	BRAKE PADS	D	L
2	SFP000260	BRAKE PADS	D	M
3	606683	PISTON	C	N
3	STC201	PISTON	C,D	J
3	STC1280	PISTON KIT	C,D	K
4	AEU1547	SEAL KIT	C	N
4	AEU2539	SEAL KIT	C,D	J,K
5	RTC5001	RETENTION KIT	C,D	A
5	STC8575	RETENTION KIT	C,D	B
6	FRC6402	SHIELD - RH	C,D	N,J
6	FTC4838	SHIELD - RH	C,D	K
6	FRC6403	SHIELD - LH	C,D	N,J
6	FTC4839	SHIELD - LH	C,D	K
7	606688	SPRING	C,D	
8	RTC3380	CALIPER -RH	C,D	E,G
8	RTC4998	CALIPER -RH	C,D	F,H
8	RTC5572	CALIPER -RH	C,D	J
8	STC1263	CALIPER -RH	C,D	K,A
8	STC1266	CALIPER -RH	C,D	K,B
8	RTC3381	CALIPER -LH	C,D	E,G
8	RTC4999	CALIPER -LH	C,D	F,H
8	RTC5573	CALIPER -LH	C,D	J
8	STC1262	CALIPER -LH	C,D	K,A
8	STC1267	CALIPER -LH	C,D	K,B
9	17H8764L	SEAL		

NOTES

A	NON VENTILATED	H	(A)22L 10272- HA 701009
B	VENTILATED	J	HA 701010 - KA 930455
C	90	K	LA 930456 ON
D	110/130	L	TO KA 930434
E	TO (A)22L 09654	M	LA 930435 ON
F	(A)22L 09655-(A)22L10191	N	TO HA 701009
G	(A)22L 10192-(A)22L 10271		



Rear Brakes & Handbrakes



KEY

C	90	S	FROM 1A 614448
D	110/130	T	ABS
K	LA 930456 ON	U	HEAVY DUTY
J	HA 701010 - KA 930455	V	TYPE 80(276mm) Valve Top Left
N	TO HA 701009	W	TYPE 80 (276mm) Valve Top Right
P	TO WA159206	X	ROD OPERATED
Q	FROM XA 159807	Y	CABLE OPERATED
R	TO ZA 614447		

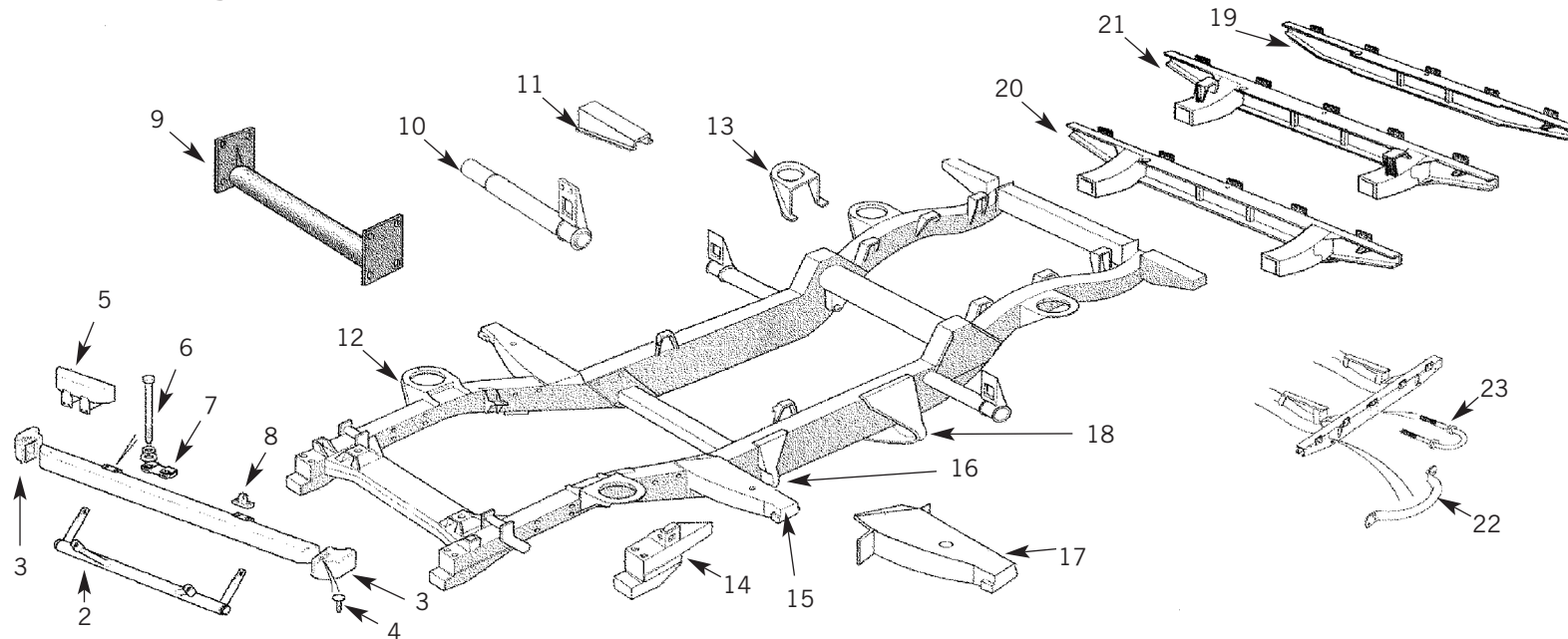
NO.	PART NO.	DESCRIPTION	VEH	NOTE
10	NRC9529	MASTER CYL	C	N
10	NRC8690	MASTER CYL	D	N
10	STC441	MASTER CYL	C,D	J,K
11	591039	BRAKE DRUM	C	
11	576973	BRAKE DRUM	D	
12	STC2796	BRAKE SHOES	C	
12	STC2797	BRAKE SHOES	D	
12	STC2798	BRAKE SHOES	D	U
13	503981	SPRING	C	
13	548169	SPRING	D	
14	218983	SPRING	C	
14	531893	SPRING	D	
15	RTC3168	WHEEL CYL RH	C	N
15	STC468	WHEEL CYL RH	C	J
15	RTC3626	WHEEL CYL RH	D	
15	RTC3169	WHEEL CYL LH	C	N
15	STC467	WHEEL CYL LH	C	J
15	RTC3627	WHEEL CYL LH	D	
16	STC2878	SERVO	C,D	N,V
16	NRC4772	SERVO	C,D	N,W
16	STC4322	SERVO	C,D	J,K,
16	SJG100240	SERVO	C,D	T
A	STC965	H/BRAKE SHOES	C,D	X
A	ICW100030	H/BRAKE SHOES	C,D	Y
B	NRC5088	H/BRAKE CABLE	C	X to 95
B	STC1530	H/BRAKE CABLE	C	Y 95 on
B	NRC5088	H/BRAKE CABLE	D	X to 86
B	NTC3480	H/BRAKE CABLE	D	X 86-95
B	STC1530	H/BRAKE CABLE	D	Y 95 on

NO.	PART NO.	DESCRIPTION	VEH	NOTE
1	FTC1381	BRAKE DISC	C	
1	FTC3846	BRAKE DISC	D	P
1	SDB000330	BRAKE DISC	Q	
2	SFP000150	BRAKE PADS	C	R
2	SFP000160	BRAKE PADS	D	
2	SFP000130	BRAKE PADS	D	S
3	STC1279	PISTON	C	
3	STC1281	PISTON	D	R
3	SEE000010	PISTON	D	S
4	8G8587L	SEAL KIT	C	
4	STC1270	SEAL KIT	D	R
4	SMN000060	SEAL KIT	S	
6	SMD100260	SHIELD RH	C,D	
6	SMD100270	SHIELD LH	C,D	
8	STC1264	CALIPER RH	C	
8	STC1268	CALIPER RH	D	R
8	SMC000180	CALIPER RH	D	S
8	STC1265	CALIPER LH	C	
8	STC1269	CALIPER LH	D	R
8	SMC000190	CALIPER LH	D	S



Chassis Assembly

BEARMA CH



1	NRC9211	FRONT BUMPER	TO EA 314291
1	NTC4657	FRONT BUMPER	EA 314291 - VA 138479
1	DPB104270	FRONT BUMPER	WA 138480 ON
2	NRC7009	UNDERSIDE BAR	OPTIONAL
3	DPT100070	END CAP	WA 138480 ON
4	DZM100080	FASTENER	WA 138480 ON
5	RTC4769	BUMPERETTE	GALVANISED
6	AFU1386	BOLT	
7	ALQ710020	TAPPING PLATE	
8	559882	TOWING EYE-FRONT	
9	NTC1963	FRONT CROSSMEMBER	
10	STC8648	OUTRIGGER	90 RH
10	STC8649	OUTRIGGER	90 LH
11	STC8356	OUTRIGGER	110 REAR NON SIDED
12	STC8608	SPRING SEAT - FRONT	RH
12	STC8696	SPRING SEAT - FRONT	LH
13	STC8610	SPRING SEAT - REAR	90
13	STC8609	SPRING SEAT - REAR	110/130
14	STC8652	FRONT DUMB IRON	RH
14	STC8653	FRONT DUMB IRON	LH
15	STC8604	RADIUS ARM MOUNTING	RH
15	STC8605	RADIUS ARM MOUNTING	LH

16	STC8694	TIE BRACKET	RH
16	STC8695	TIE BRACKET	LH
17	STC8354	OUTRIGGER	RH
17	STC8355	OUTRIGGER	LH
18	STC8606	TRAILING LINK MOUNTING	RH
18	STC8607	TRAILING LINK MOUNTING	LH
19	BR 3379	90/110 CROSS MEMBER	PLAIN
20	BR 3398	110 CROSS MEMBER	WITH EXTENSIONS
21	BR 3399	90 CROSS MEMBER	WITH EXTENSIONS
22	300816	GRAB HANDLE	TO EA 314058
22	NTR5116	GRAB HANDLE	FROM EA 314059
23	NRC5396	REAR TOWING BRACKET	TO LA 939975

COMPLETE CHASSIS ASSEMBLIES		
NTC7989	UP to and including 200/v8	90 Chassis Assembly
BA 2094	300TDi	90 Chassis Assembly
NTC7843	4 Cyl up to LA939975	110 Chassis Assembly
NTC9481	4 Cyl, up to MA939976	110 Chassis Assembly
NTC7844	V8, up to LA939975	110 Chassis Assembly
NTC9485	V8, from MA939976	110 Chassis Assembly
NTC9493	300TDi	110 Chassis Assembly

QUICK REFERENCE

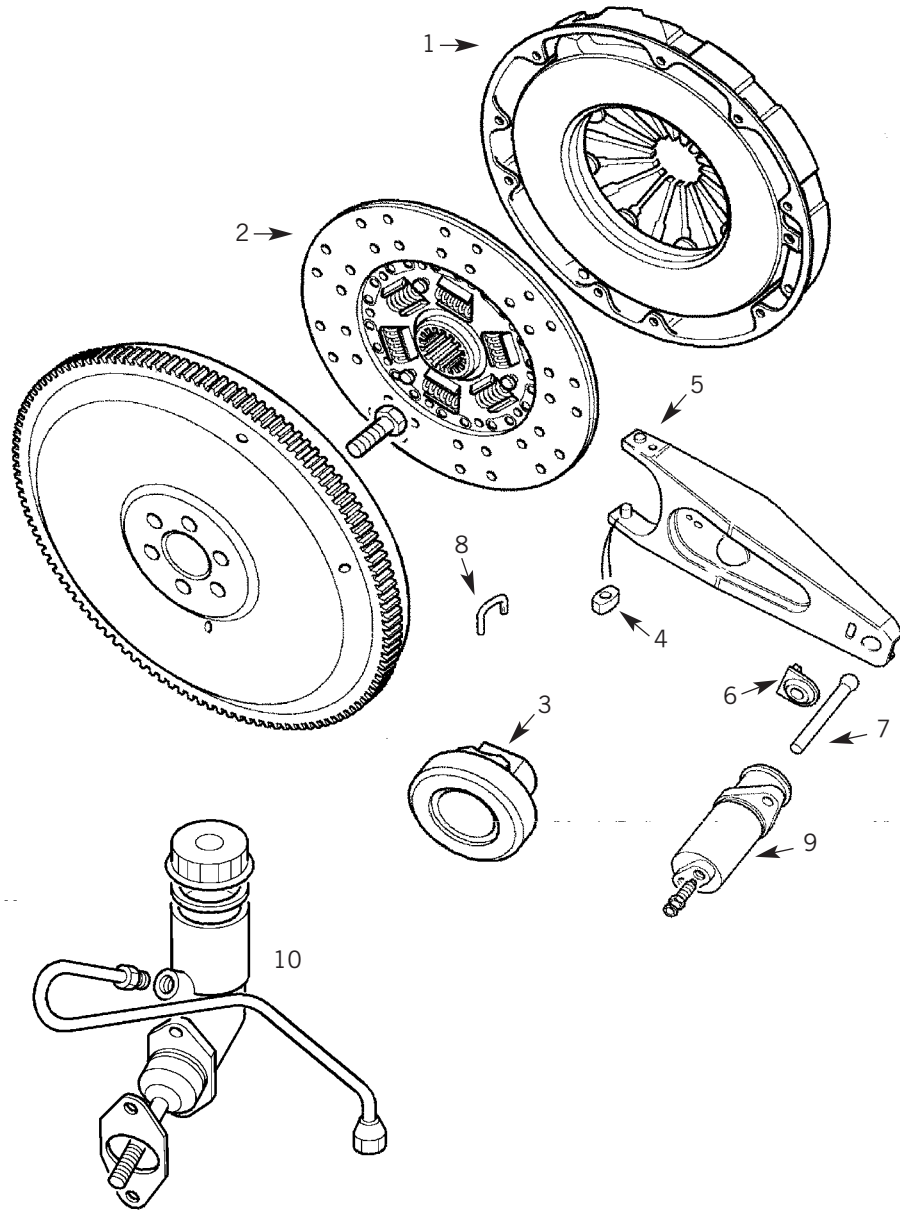
PARTS SUITABLE FOR LAND ROVER DEFENDER

Tel: +44 (0)29 20 856 550

Manufacturers' part numbers are used for reference purposes only



Clutch

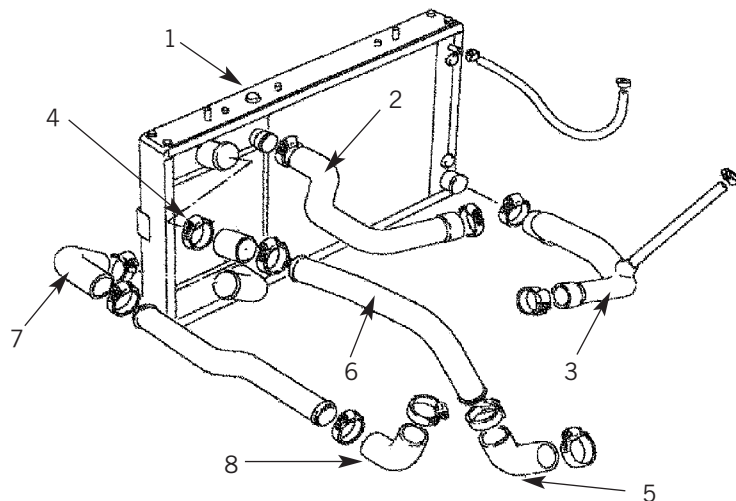


0	STC8358	KIT (INC 1,2,3)	200TDI, 300TDI
1	576557	COVER	2.25, 2.5 PETROL
1	URB100760	COVER	ALL DIESEL EXCEPT TD5
1	576476	COVER	V8
1	FTC4630	COVER	TD5
2	FTC4661	PLATE	2.25, 2.5 PETROL
2	FRC6679	PLATE	2.5 DIESEL
2	FTC148	PLATE	2.5 TD
2	FTC4204	PLATE	200 TDI, 300TDI
2	FRC6631	PLATE	V8, 4 SPEED
2	FRC6685	PLATE	V8, 5 SPEED
2	FTC4631	PLATE	TD5
3	FTC5200	RELEASE BEARING	ALL
4 CYLINDER INC 200TDI			
4	FRC5255	SLIPPER PAD	
5	FTC2957	RELEASE FORK	
6	FRC3327	CLIP	
7	FRC3417	PUSH ROD	
8	FRC3416	STAPLE	
9	591231	SLAVE CYLINDER	
V8			
5	576137	RELEASE FORK	
6	576723	CLIP	
7	571160	PUSH ROD	
8	576203	STAPLE	
9	FTC5071	SLAVE CYLINDER	
ALL MODELS			
10	STC100410	MASTER CYLINDER	
300TDI (UP TO GEARBOX 56A 0669086K)			
4	FRC5255	SLIPPER PAD	
5	FTC2957	RELEASE FORK	
6	FRC3327	CLIP	
7	FTC3912	PUSH ROD	
8	FRC3416	STAPLE	
9	FTC5072	SLAVE CYLINDER	
300TDI (FROM GEARBOX 56A 0669087K)			
4	FRC5255	SLIPPER PAD	
5	FTC2957	RELEASE FORK	
6	FRC3327	CLIP	
7	FTC5199	PUSH ROD	
8	FRC3416	STAPLE	
9	FTC5202	SLAVE CYLINDER	
TD5			
5	576137	RELEASE FORK	
6	576723	CLIP	
7	FTC5199	PUSH ROD	
8	576203	STAPLE	
9	FTC5202	SLAVE CYLINDER	



Cooling & Heating

BEARMACH



1	NRC 6888	Radiator	ALL	2.25 Petrol	A	
1	ESR 76	Radiator	90	2.5 Petrol + Diesel		To FA389980
1	ESR 76	Radiator	110	2.5 Petrol + Diesel		To FA389798
1	ESR 77	Radiator	90	2.5 Petrol + Diesel		FA389980 - JA918061
1	ESR 77	Radiator	110	2.5 Petrol + Diesel		FA389799 - JA919831
1	ESR 78	Radiator	90	2.5 Petrol + Diesel	B	FA389980 - JA918061
1	ESR 78	Radiator	110	2.5 Petrol + Diesel	B	FA389799 - JA919831
1	ESR 1677	Radiator	90	2.5 Petrol + Diesel	B	JA918062 ON
1	ESR 1677	Radiator	110	2.5 Petrol + Diesel	B	JA919832 ON
1	NTC 6168	Radiator	ALL	2.5 Turbo Diesel	B	ALL
1	NTC 4893	Radiator	90	200 Tdi	C	To JA918061
1	NTC 4893	Radiator	110	200 Tdi	C	To JA919831
1	ESR 1676	Radiator	90	200 Tdi	C	From JA918062
1	ESR 1676	Radiator	110	200 Tdi	C	From JA919832
1	BTP 2275	Radiator	ALL	300 Tdi		
1	FTP 8030	Intercooler	ALL	300 Tdi		
1	ESR 3683	Rad & Inter	ALL	300 Tdi	D	
1	PDK000100	Radiator	ALL	TD5		To 1A622423
1	PCC001020	Radiator	ALL	TD5		From 2A622424
1	ESR4504	Intercooler	ALL	TD5		To 1A622423
1	PCM100210	Intercooler	ALL	TD5		From 2A622424
1	ESR76	Radiator	ALL	V8 Carb		Except oil cooler To FA 428918
1	ESR203	Radiator	ALL	V8 CARB		Except oil cooler From FA 428919
1	ESR204	Radiator	ALL	V8 CARB		Oil cooler To JA 918061
1	ESR3685	Radiator	ALL	V8 CARB / EFI		Oil cooler From TA 976036

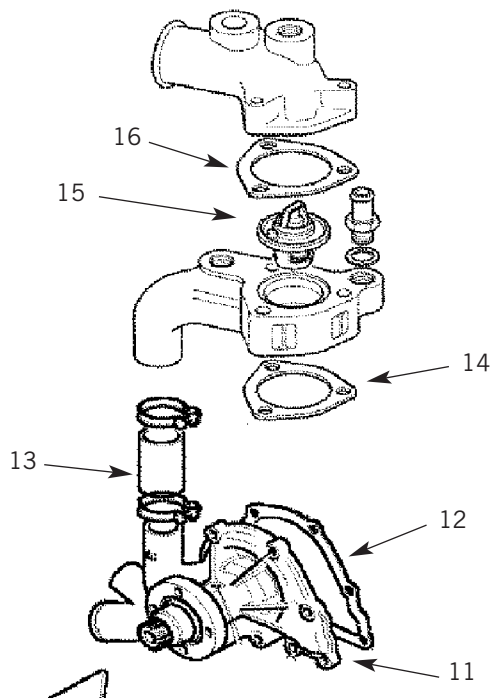
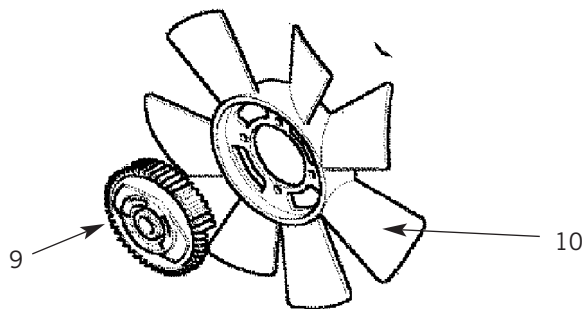
2	NRC 6403	Top Hose	ALL	2.25 Petrol	E	ALL
2	NRC 6404	Top Hose	90	2.5 Petrol + Diesel		To 261252
2	NRC 6404	Top Hose	110	2.5 Petrol + Diesel		To 263904
2	NTC 2029	Top Hose	90	2.5 Petrol + Diesel		261253 - FA389798
2	NTC 2029	Top Hose	110	2.5 Petrol + Diesel		263905 - FA389798
2	ESR 2125	Top Hose	ALL	2.5 Petrol + Diesel		FA389799 ON
2	ESR 2125	Top Hose	ALL	2.5 Turbo Diesel		ALL
2	NTC 4895	Top Hose	ALL	200 Tdi		Radiator to Engine
4	ESR 289	Top Hose	ALL	200 Tdi		Intercooler to Pipe
5	ESR 2934	Top Hose	ALL	200 Tdi		Pipe to Manifold
2	ESR 2298	Top Hose	ALL	300 Tdi		Radiator to Engine
6	ESR 2309	Top Hose	ALL	300 Tdi		Intercooler to Manifold
2	PCH114600	Top Hose	ALL	TD5		
2	NRC5985	Top Hose	ALL	V8		Except Air Con To FA 428918
2	NTC5686	Top Hose	ALL	V8		Except Air Con From FA 428918
2	NRC9710	Top Hose	ALL	V8		With Air Con To FA 429127
2	NTC5687	Top Hose	ALL	V8		With Air Con From FA 429128
3	NRC 3664	Bottom Hose	ALL	2.25 Petrol	F	
3	NRC 3976	Bottom Hose	110	2.25 Diesel		
3	NTC 3453	Bottom Hose	ALL	2.5 Pet/Dies/TD	G	
3	ESR 536	Bottom Hose	ALL	200 Tdi		non Air Con ALL
3	ESR 536	Bottom Hose	ALL	200 Tdi		Air Con To JA915821
3	ESR 1686	Bottom Hose	ALL	200 Tdi		Air Con From JA915822
7	ESR 298	Bottom Hose	ALL	200 Tdi		Intercooler to pipe
8	ESR 2934	Bottom Hose	ALL	200 Tdi		Elbow-pipe to turbo
3	ESR 3121	Bottom Hose	ALL	300 Tdi		Radiator to Engine
7	ESR 2729	Bottom Hose	ALL	300 Tdi		Intercooler to pipe
8	ESR 2730	Bottom Hose	ALL	300 Tdi		Elbow-pipe to turbo
3	PCH115470	Bottom Hose	ALL	TD5		
3	NRC3405	Bottom Hose	ALL	V8 CARB		To 257176
3	NTC3543	Bottom Hose	ALL	V8 CARB		From 257177
3	PCH116030	Bottom Hose	ALL	V8 EFI		

A: for h/duty option use ESR 76
 B: includes engine oil cooler
 C: includes oil cooler for engine & intercooler
 D: includes sides and bottom frame
 E: fdoor h/duty option use NRC6404
 F: for h/duty option use NRC 3976
 G: NTC 3453 replaces the (3 piece hose & tee set) fitted to 110" 2.5 To Vin 263904

Tel: +44 (0)29 20 856 550



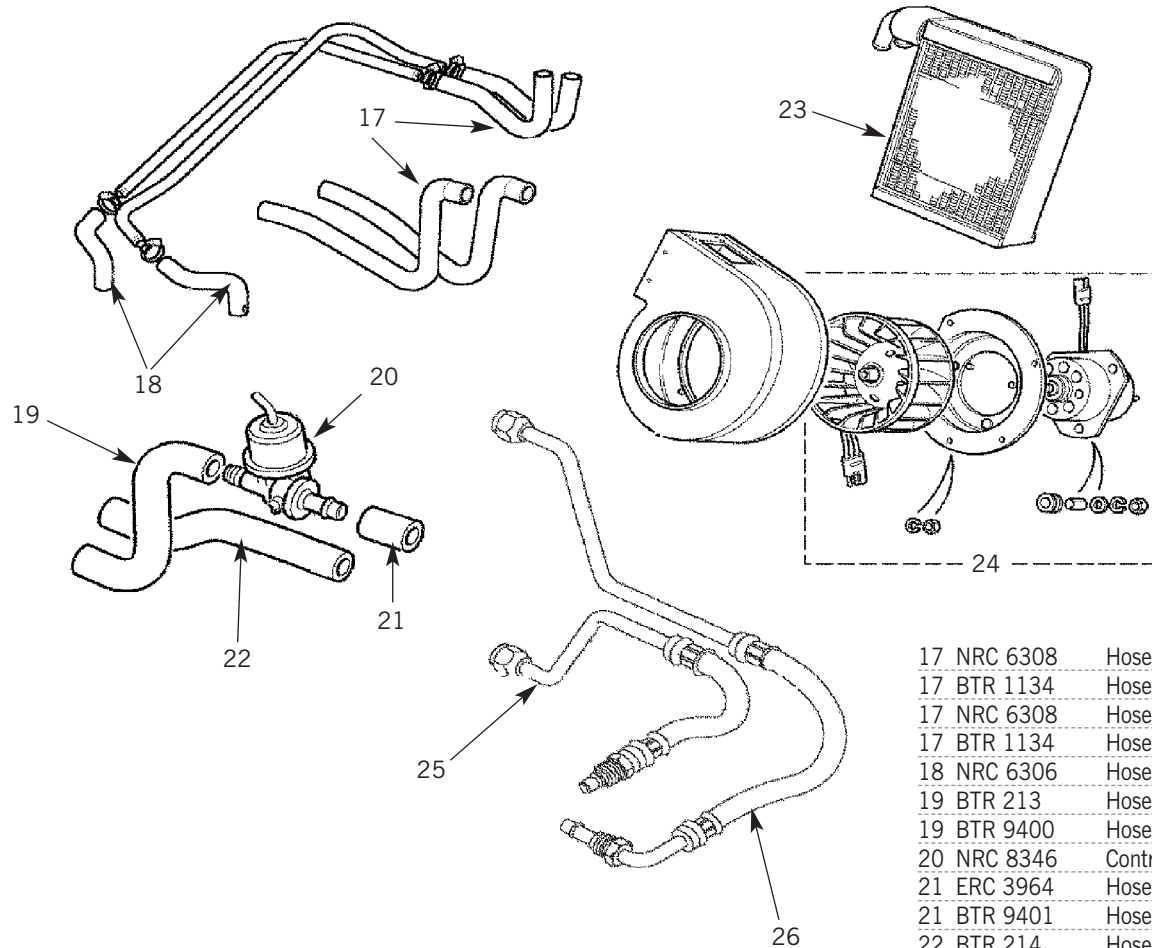
Cooling & Heating



9	ERC 5708	Viscous Unit	2.25 & 2.5 Petrol + Diesel	a/con / NR	up to 96
9	ETC 7238	Viscous Unit	2.5 TD	a/con / NR	up to 96
9	ETC 7238	Viscous Unit	200TDI		up to 96
9	ERR 2266	Viscous Unit	300TDI		
9	PGG101050	Viscous Unit & Fan	TD5		
9	ERC 5708	Viscous Unit	V8 CARB		
9	ERR 3443	Viscous Unit	V8 EFI		
10	ERC 5545	Fan Blade	2.25 & 2.5 Petrol + Diesel	basic & 65A alt	up to 96
10	ERR 3380	Fan Blade	2.25 & 2.5 Pet/Dies/TD	a/con / NR	up to 96
10	ERR 3380	Fan Blade	200TDI		up to 96
10	ERR 2789	Fan Blade	300TDI		up to 96
10	PGG101050	Fan & Viscous	TD5		
10	613087	Fan Blade	V8 CARB	5 Blade	Non Viscous
10	ETC7553L	Fan Blade	V8 CARB	7 Blade	Viscous
10	ERC8164	Fan Blade	V8 CARB	11 Blade	Viscous
11	STC 636	Water Pump	2.25/2.5 Pet + Dies	basic	up to 86
11	STC 640	Water Pump	2.25/2.5 Pet + Dies	a/con & 133A alt	up to 86
11	STC 637	Water Pump	2.25/2.5 Pet + Dies	basic & 65A alt	87 to 96
11	STC 635	Water Pump	2.5 TD		up to 94
11	STC 639	Water Pump	200TDI		up to 96
11	STC 1086	Water Pump	300TDI		up to 96
11	ERR6505	Water Pump	TD5		
11	STC1611	Water Pump	V8 CARB	Non Viscous	
11	STC487	Water Pump	V8 CARB	Viscous	Non Air Con
11	STC488	Water Pump	V8 CARB	Viscous	Air Con
11	STC4378	Water Pump	V8 EFI		
12	ERC 5655	Gasket To W/Pump	ALL	2.25 / 2.5 Petrol & Diesel & TD	up to 96
13	ERC 5654	Hose By Pass	ALL	2.25 / 2.5 Petrol & Diesel & TD	up to 96
14	247874	Gasket to Engine	ALL	2.25 / 2.5 Petrol & Diesel & TD	up to 96
15	ETC 4763	Thermostat 82°	ALL	2.25 / 2.5 Petrol & Diesel & TD	up to 96
15	ETC 4762	Thermostat 74°	ALL	2.25 / 2.5 Petrol & Diesel & TD	up to 96
16	ERR 3682	Gasket	ALL	2.25 / 2.5 Petrol & Diesel & TD	up to 96
12	ERC 5655	Gasket To W/Pump	ALL	200TDI	
13	ERR 1424	Hose By Pass	ALL	200TDI	
14	ETC 8007	Gasket To Engine	ALL	200TDI	
15	ERR 2803	Thermostat	ALL	200TDI	
16	ERR 3682	Gasket	ALL	200TDI	
12	ERR 3284	Gasket To W/pump	ALL	300TDI	
14	ERR 3490	Gasket To Engine	ALL	300TDI	
15	ERR 3291	Thermostat	ALL	300TDI	
15	PEM100990	Thermostat Housing	ALL	TD5	
12	ERR2428	Gasket TO W/PUMP	ALL	V8 CARB	
14	ERR2429	Thermostat Gasket	ALL	V8 CARB	
15	602687	Thermostat	ALL	V8 CARB	



Cooling & Heating

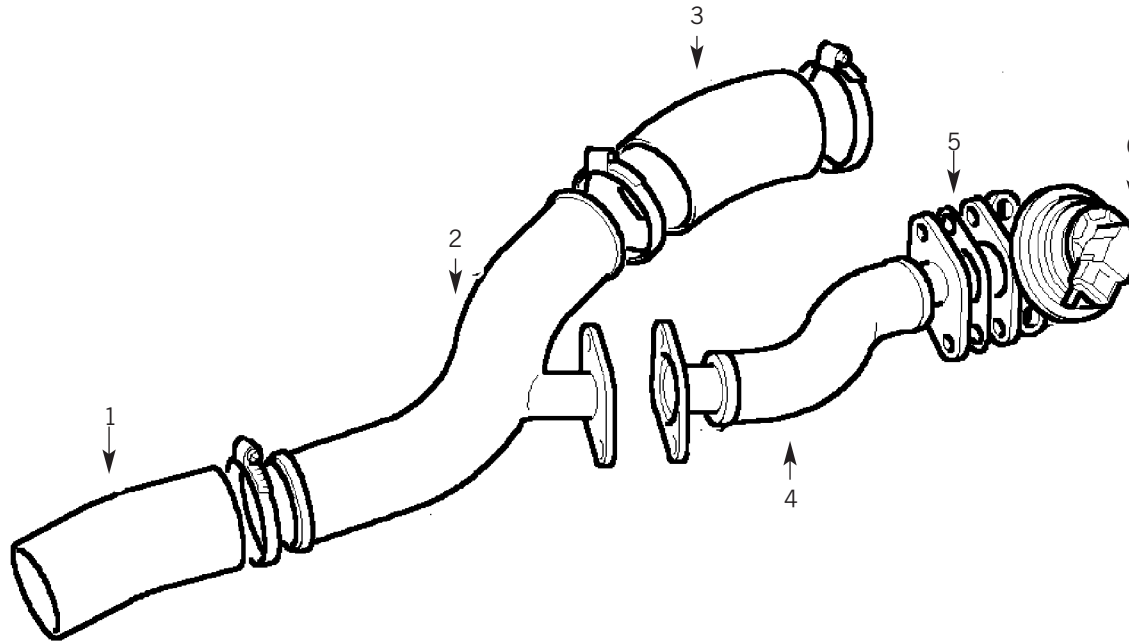


17	NRC 6308	Hose To Matrix	(A)	90		to HA700727
17	BTR 1134	Hose To Matrix	(B)	90		from HA700728
17	NRC 6308	Hose To Matrix	(A)	110		to HA900750
17	BTR 1134	Hose To Matrix	(B)	110		from HA900751
18	NRC 6306	Hose To Engine	ALL	All 4 Cylinder	up to 96	
19	BTR 213	Hose To Valve	ALL	200TDI / 300TDI	to MA939975	
19	BTR 9400	Hose To Valve	ALL	200TDI / 300TDI	from MA939976	
20	NRC 8346	Control Valve	ALL	200TDI / 300TDI	to MA939975	
21	ERC 3964	Hose To Matrix	ALL	200TDI / 300TDI	from MA939976	
21	BTR 9401	Hose To Matrix	ALL	200TDI / 300TDI		
22	BTR 214	Hose To Matrix	ALL	200TDI / 300TDI	to MA939975	
22	BTR 9402	Hose To Matrix	ALL	200TDI / 300TDI	from MA939976	
23	AAP 817	Heater Matrix	(A)	ALL	Downward Facing Pipes	up to 91
23	UTP 1725	Heater Matrix	(B)	ALL	Horizontal Facing Pipes	91 to 96
24	RTC 4200	Heater Blower	ALL			to LA939975
24	UTP 1911	Heater Blower	ALL			from MA939976
25	PBP101130	Oil Cooler Pipe	ALL	300TDI		
26	PBP101140	Oil Cooler Pipe	ALL	300TDI		
0	ESR1594L	O-Ring to fit				
		Oil Cooler Pipes	ALL	300TDI		



Exhaust Gas Recirculation (EGR) Pipes

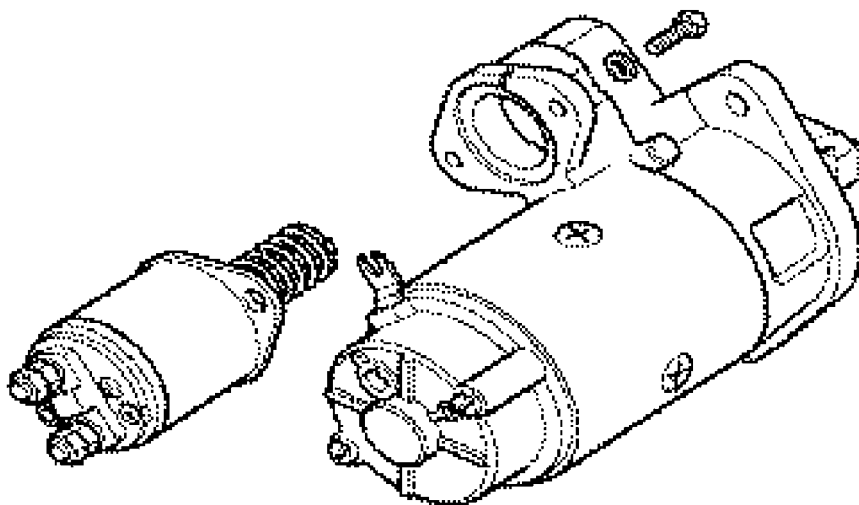
1	ERR3581	PIPE	ALL	300TDI
2	ERR3579	PIPE	ALL	300TDI
3	ERR3580	PIPE	ALL	300TDI
4	ERR5732	PIPE	ALL	300TDI
5	ERR3319	GASKET	ALL	300TDI
6	WAV100330	EGR VALVE	ALL	300TDI





Electrical Components

SOLENOID



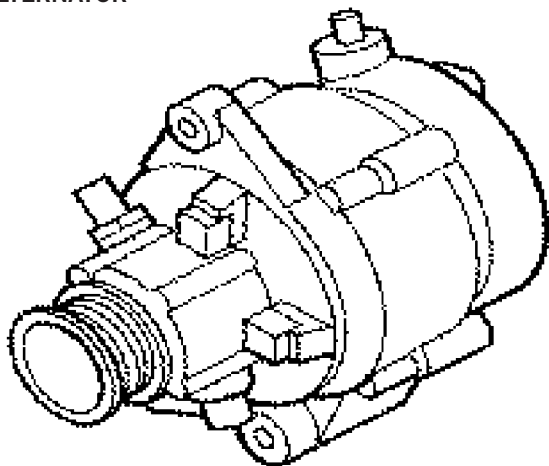
STARTER MOTOR

PRC6613	STARTER MOTOR	2.25 + 2.5 Petrol		to 94
STC1519	SOLENOID	2.25 + 2.5 Petrol		to 94
NAD10040	STARTER MOTOR	2.5 Petrol	Bosch	95-97
RTC5049	SOLENOID	2.5 Petrol		95-97
RTC5249	STARTER MOTOR	2.25 + 2.5 Diesel	Lucas	to 01/93
STC1518	SOLENOID	2.25 + 2.5 Diesel		to 01/93
PRC5109	STARTER MOTOR	2.5 Diesel	Paris - Rhone	to 95
RTC4978	SOLENOID	2.5 Diesel		to 95
ERR5009	STARTER MOTOR	2.5 Diesel		95-97
STC1245	SOLENOID	2.5 Diesel		95-97
PRC5109	STARTER MOTOR	2.5 Turbo Diesel	Paris - Rhone	to 94
RTC4978	SOLENOID	2.5 Turbo Diesel		to 94
PRC5109	STARTER MOTOR	200TDI	to Eng 11L24823A Paris - Rhone	
RTC4978	SOLENOID	200TDI	to Eng 11L24823A	
ERR5009	STARTER MOTOR	200TDI	from Eng 11L24824A	to 95
STC1245	SOLENOID	200TDI	from Eng 11L24824A	to 95
ERR5009	STARTER MOTOR	300TDI		95-97
STC1245	SOLENOID	300TDI		95-97
NAD101240	STARTER MOTOR	TD5		
RTC6061	STARTER MOTOR (3M100)	3.5 V8 carb		to 86
RTC837	SOLENOID	3.5 V8 carb		to 86
RTC6061	STARTER MOTOR	3.5 V8 carb		to 01/93
RTC5049	SOLENOID	3.5 V8 carb		to 01/93
NAD101490	STARTER MOTOR	3.5 V8 carb	Bosch	to 97
STC1242	SOLENOID	3.5 V8 carb		to 97



Electrical Components

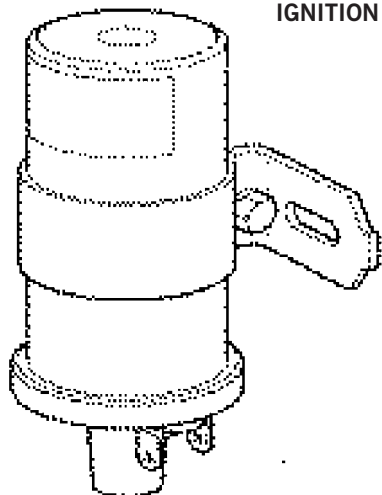
ALTERNATOR



ALTERNATOR

RTC5084	ALTERNATOR	2.25 Petrol & Diesel	A115/45amp		to 86
RTC5218E	ALTERNATOR	2.25 Petrol & Diesel	A133/65amp	a/con	to 86
RTC5084	ALTERNATOR	2.5 Petrol & Diesel	A115/45amp		87-96
STC229	ALTERNATOR	2.5 Petrol & Diesel	A127/45amp		87-96
RTC5218E	ALTERNATOR	2.5 Petrol & Diesel	A133/65amp	a/con	87-96
STC234	ALTERNATOR	2.5 Petrol & Diesel	A127/65amp	a/con	87-96
STC234	ALTERNATOR	200TDI	A127/65amp		to 95
STC229	ALTERNATOR	200TDI	A127/45amp		to 95
AMR4249	ALTERNATOR	300TDI	A127/65amp		to 95
AMR4247	ALTERNATOR	300TDI	A127/100amp		
ERR6999	ALTERNATOR	TD5	120amp		
RTC3851	ALTERNATOR	3.5 V8	A115/45amp	bat sensed	to 86
RTC5085E	ALTERNATOR	3.5 V8	A115/45amp	mac sensed	to 86
STC230	ALTERNATOR	3.5 V8	A127/45amp		87-96
STC234	ALTERNATOR	3.5 V8	A127/65amp		87-96
STC233	ALTERNATOR	3.5 V8	A127/65amp	RH	87-96
RTC5218E	ALTERNATOR	.5 V8	A133/65amp	LH a/con & PAS	87-96

IGNITION COIL



IGNITION COIL

PRC9858	COIL	All 4 Cyl Petrol			to 96
573038	COIL	3.5 V8			to 86
RTC5628	COIL	3.5 V8		lucas	87-96
PRC6574	COIL	3.5 V8		bosch	87-96

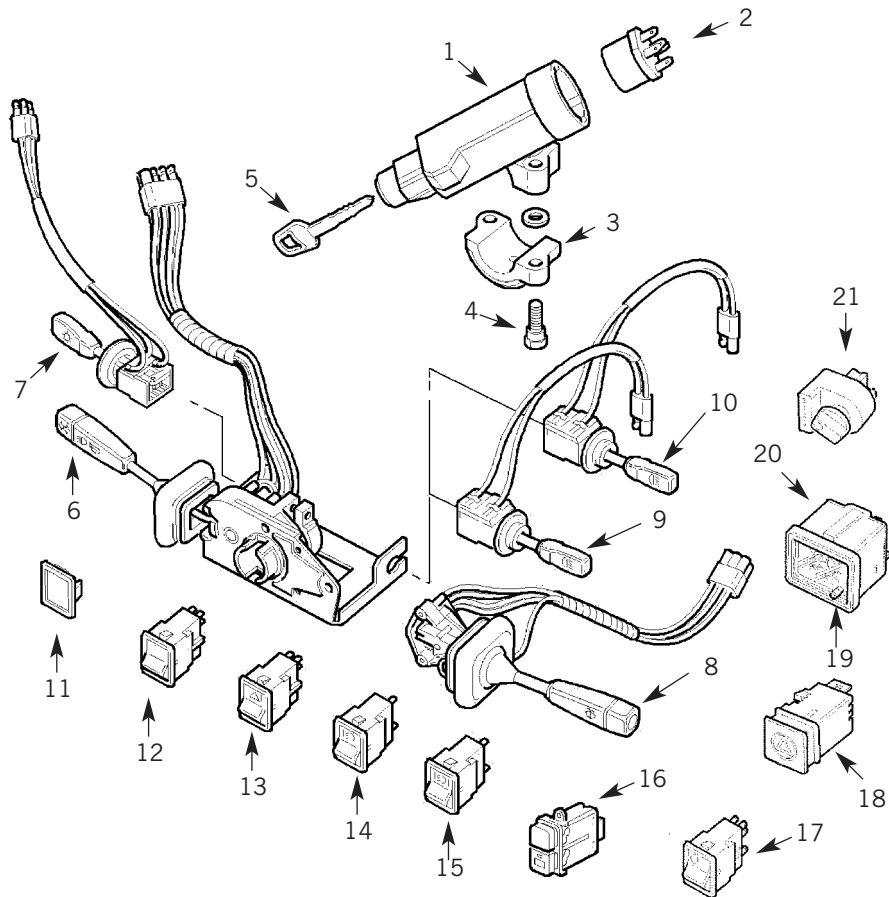
MISC PARTS

RTC3562	FLASHER UNIT	to LA939975	2 pin		to 94
YWT10003	FLASHER UNIT	replace with PRC8876	from MA939976	3 pin	95-97
PRC8876	FLASHER UNIT	with trailer socket		3 pin	
YWB10032L	RELAY-	brake system check, fuel change over, starter, head lamp override			
PRC2911	SWITCH - reverse lamp		All 4 Cyl models	to FA 410277	to 89
PRC8204	SWITCH - reverse lamp		All 4 Cyl models	from FA 410278	89-97
PRC1039	SWITCH - reverse lamp		All V8 models		to 97
PRC4297	SWITCH - brake light		All models		to 97
ASU1009	SWITCH - hazard warning lights		All models		to 97



**B
E
A
R
M
A
C
H**

Electrical Components



1	QRF100880	COLUMN LOCK	PETROL + TDI
1	QRF100870	COLUMN LOCK	NA DIESEL + TD
2	551508	IGNITION SWITCH	NO COLUMN LOCK
2	579085	IGNITION SWITCH	TO FA 415402
2	PRC8230	IGNITION SWITCH	FROM FA 415403
2	PRC2670	IGNITION SWITCH	NO COLUMN LOCK
2	PRC2735	IGNITION SWITCH	
2	PRC8230	IGNITION SWITCH	
3	QRG100100	CLAMP	
4	51K4001L	SHEAR BOLT	
5	AAU8276	KEY - BLANK	TO VA 134377
5	STC4798	KEY - BLANK	FROM VA 134378
6	PRC3875	INDICATOR / HORN / HEADLAMP SWITCH	TO GA 455945
6	STC439	INDICATOR / HORN / HEADLAMP SWITCH	GA 455946 - VA 104805
6	XPB101290	INDICATOR / HORN / HEADLAMP SWITCH	FROM VA 104806
7	PRC3430	MASTER LIGHTING SWITCH	TO VA 104805
7	AMR6104	MASTER LIGHTING SWITCH	FROM VA 104806
8	PRC3900	WASH / WIPE WINDSCREEN	TO GA 455945
8	PRC7370	WASH / WIPE WINDSCREEN	GA 455946 - VA 104805
8	AMR6106	WASH / WIPE WINDSCREEN	FROM VA 104806
9	PRC3432	REAR FOG LIGHT SWITCH	
10	STC61821	AUXILLARY SWITCH	TOMB RAIDER
11	AAM222L	BLANK PLUG	
12	YUE100530	FOG SWITCH - MOMENTARY	FROM WA 138480
13	AMR6328	FOG SWITCH - ONE TOUCH	
14	C38637L	FUEL CHANGEOVER SWITCH	
15	YUF101490	HAZARD SWITCH - ROCKER	
16	YUF101640	FOG LAMP SWITCH - ROCKER	
17	YUF101590	ILLUMINATION CONTROL SWITCH - ROCKER	
18	AFU4209L	HAZARD SWITCH - PUSH PUSH	
19	PRC4370	ANALOGUE CLOCK	
20	PRC4324	BEZEL - CLOCK	
21	AMR5874	HEADLAMP LEVELLING SWITCH - 90	
21	AMR5875	HEADLAMP LEVELLING SWITCH - 110/130	

Tel: +44 (0)29 20 856 550

Manufacturers' part numbers are used for reference purposes only

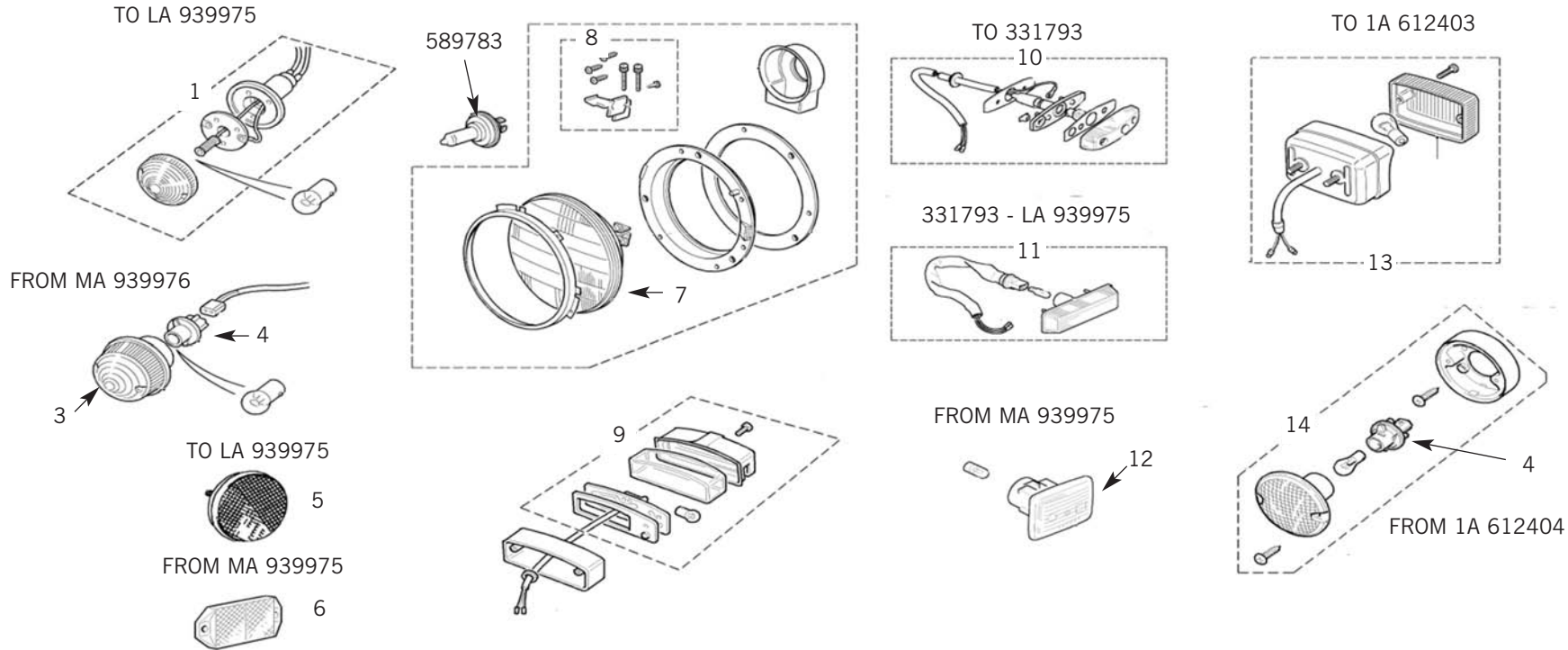
QUICK REFERENCE

PAGE
22

PARTS SUITABLE FOR
LAND ROVER DEFENDER



Lighting



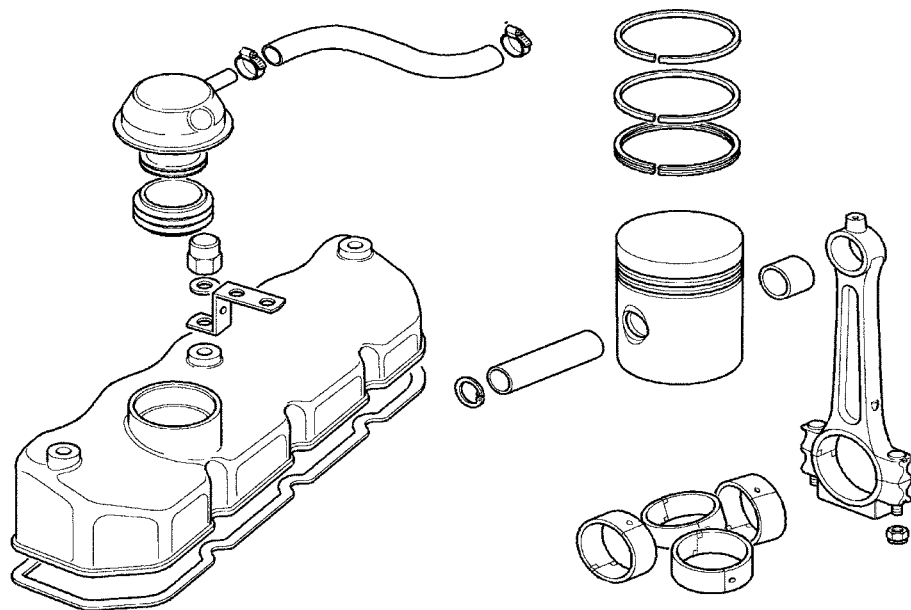
1	RTC5013	INDICATOR LAMP	TO LA 939975
2	589202	LENS	TO LA 939975
1	RTC5012	FRONT SIDE LIGHT	TO LA 939975
2	589284	LENS	TO LA 939975
1	RTC5523	REAR STOP/TAIL LAMP	TO LA 939975
2	RTC210	LENS	TO LA 939975
3	AMR6513	FRONT INDICATOR LAMP	MA 939976 ON
3	AMR6514	FRONT SIDE LIGHT	MA 939976 ON
3	XBD100670	FRONT INDICATOR LAMP	CLEAR
3	AMR6515	REAR INDICATOR LAMP	MA 939976 ON
4	XBP100180	BULB HOLDER	MA 939976 ON
3	AMR6516	REAR STOP/TAIL LAMP	MA 939976 ON
4	XBP100190	BULB HOLDER	MA 939976 ON
5	551595	REFLECTOR	TO LA 939975
6	XFF100070	REFLECTOR	MA 939976 ON
7	RTC3682	HEADLAMP-SEALED BEAM	TO KA 922614
7	RTC4615	HEADLAMP-HALOGEN	TO KA 922614
7	STC949	HEADLAMP-SEALED BEAM	KA 922615 ON
7	STC1209	HEADLAMP-HALOGEN	KA 922615 ON

TO 331793	10		
331793 - LA 939975	11		
FROM MA 939975	12		
TO LA 939975	13		
TO LA 939975	14		
FROM MA 939975	14		
FROM 1A 612404	14		
TO 331793	10	589143	SIDE REPEATER
331793 - LA 939975	11	PRC7044	SIDE REPEATER
FROM MA 939975	12	PRC9916	SIDE REPEATER
TO LA 939975	13	XGB000030	SIDE REPEATER
TO LA 939975	13	PRC7263	REVERSE LAMP
TO LA 939975	13	XFD100050	REVERSE LAMP
TO LA 939975	0	RTC4184	LENS REVERSE
TO LA 939975	13	PRC7254	FOG LAMP
TO LA 939975	13	XFE100170	FOG LAMP
TO LA 939975	0	RTC4183	LENS FOG
TO LA 939975	14	AMR6521	REVERSE LAMP
TO LA 939975	14	AMR6522	FOG LAMP
TO KA922614	7	RTC3683	HEADLAMP SEALED BEAM(LHD)
TO KA922614	7	PRC7994	HEADLAMP HALOGEN(LHD)
TO KA 922614	8	BHM7058L	SCREW KIT
KA 922615 ON	8	STC1614	SCREW KIT
TO 331793	10	589143	SIDE REPEATER
331793 - LA 939975	11	PRC7044	SIDE REPEATER
MA 939976 - XA 159806	12	PRC9916	SIDE REPEATER
XA 159807ON	12	XGB000030	SIDE REPEATER
TO XA 159806	13	PRC7263	REVERSE LAMP
XA 159807 - 1A 612403	13	XFD100050	REVERSE LAMP
TO 1A 612403	0	RTC4184	LENS REVERSE
TO XA 159806	13	PRC7254	FOG LAMP
XA 159807 - 1A 612403	13	XFE100170	FOG LAMP
TO 1A 612403	0	RTC4183	LENS FOG
1A 612404 ON	14	AMR6521	REVERSE LAMP
1A 612404 ON	14	AMR6522	FOG LAMP



Engine

Miscellaneous Parts



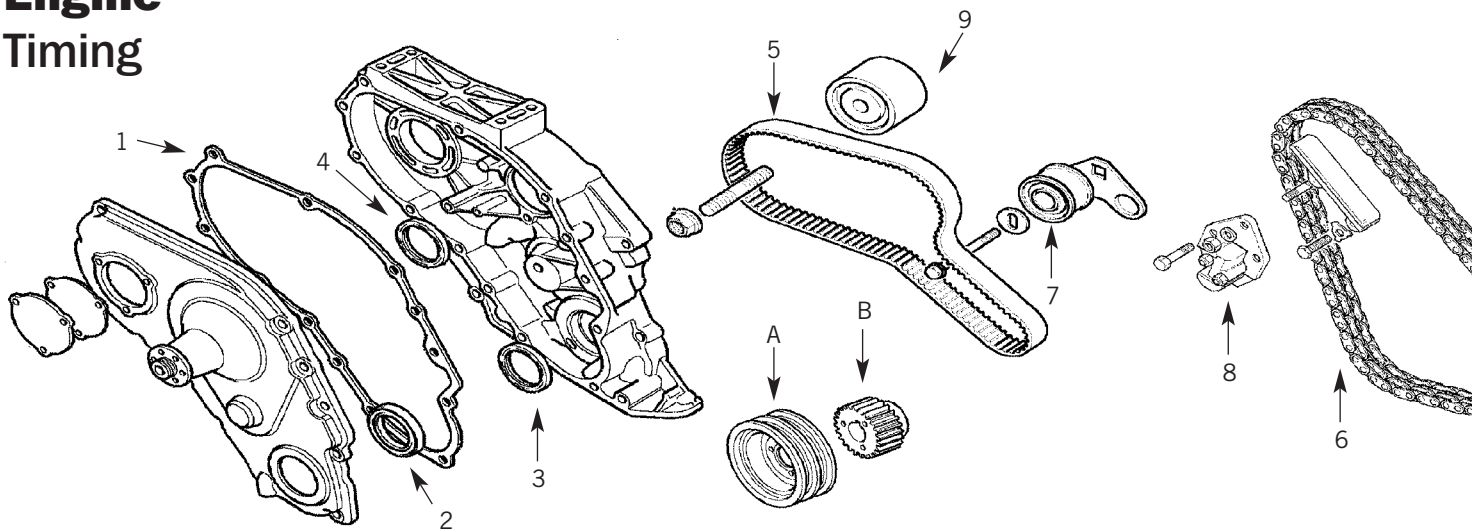
Other Engine parts:
 Belts p7
 Timing p25
 Gaskets p32
 Service Items p33

ENGINE	PART NO.	DESCRIPTION	NOTE
2.25 PETROL	RTC4188S	PISTON ASSEMBLY	oversizes available
2.5 PETROL	RTC4734S	PISTON ASSEMBLY	oversizes available
2.5 DIESEL	RTC6442S	PISTON ASSEMBLY	oversizes available
2.5 TURBO DIESEL	ETC8676	PISTON ASSEMBLY	oversizes available
200TDI	ERR1390	PISTON ASSEMBLY	oversizes available
300TDI	ERR2410	PISTON ASSEMBLY	oversizes available
3.5V8 carb	RTC2186S	PISTON ASSEMBLY	oversizes available
2.25 PETROL	RTC1730	CON ROD BEARING SET	oversizes available
2.5 PETROL, DIESEL & TD	RTC2993	CON ROD BEARING SET	oversizes available
200TDI & 300TDI	RTC2993	CON ROD BEARING SET	oversizes available
3.5 V8 carb	RTC2117	CON ROD BEARING SET	oversizes available
2.25 PETROL	RTC2626	MAIN BEARING SET	oversizes available
2.5 PETROL to 17H25700C	RTC2992	MAIN BEARING SET	oversizes available
2.5 PETROL from 17H25701C	STC3395	MAIN BEARING SET	oversizes available
2.5 DIESEL to 12J43825C	RTC2992	MAIN BEARING SET	oversizes available

ENGINE	PART NO.	DESCRIPTION	NOTE
2.5 DIESEL from 12J43826C	STC3395	MAIN BEARING SET	oversizes available
2.5 DIESEL TURBO	STC3395	MAIN BEARING SET	oversizes available
200TDI & 300TDI	STC3395	MAIN BEARING SET	oversizes available
3.5 V8 Carb	RTC1718	MAIN BEARING SET	oversizes available
2.25 + 2.5 PETROL	ERR4933	ROCKER COVER GASKET	
2.5 DIESEL / TD	ETC6438	ROCKER COVER GASKET	
200TDI	ERR2393	ROCKER COVER GASKET	supply 2xERR765
300TDI	ERR2409	ROCKER COVER GASKET	
3.5 V8 Carb	602512	ROCKER COVER GASKET	
2.25 PETROL	268887	ROCKER BREATHER SEAL	
2.5 PETROL	ERR736	ROCKER BREATHER SEAL	
2.25 + 2.5 DIESEL	ERC8049	ROCKER BREATHER SEAL	up to 87
2.5 DIESEL	ERR736	ROCKER BREATHER SEAL	87 on
2.5 TD to 19J15451C	ERC8049	ROCKER BREATHER SEAL	
2.5 TD from 19J15452C	ERR736	ROCKER BREATHER SEAL	
2.25 + 2.5 PETROL	247051	HEAD BOLT (9)	
2.25 + 2.5 PETROL	279648	HEAD BOLT (4)	
2.25 + 2.5 PETROL	554621	HEAD BOLT (5)	
2.5 DIESEL / TD	247051	HEAD BOLT (9)	
2.5 DIESEL / TD	247683	HEAD BOLT (2)	
2.5 DIESEL / TD	247723	HEAD BOLT (5)	
200TDI	ETC8808	HEAD BOLT (4)	
200TDI	ETC8809	HEAD BOLT (10)	
200TDI	ETC8810	HEAD BOLT (4)	
300TDI	ETC8808	HEAD BOLT (4)	
300TDI	ERR1939	HEAD BOLT (10)	
300TDI	ETC8810	HEAD BOLT (4)	
3.5 V8 Carb	90614584	HEAD BOLT (POWERLOK) (1)	
3.5 V8 Carb	602191	HEAD BOLT (7)	
3.5 V8 Carb to 24G 13114A	602192	HEAD BOLT (14)	
3.5 V8 Carb to 24G 13114A	602193	HEAD BOLT (6)	
3.5 V8 Carb from 24G 13114A	AERR2943	HEAD BOLT (13)	
3.5 V8 Carb from 24G 13114A	AERR2944	HEAD BOLT (6)	
2.25 + 2.5 PETROL	ETC5412	CYLINDER HEAD	
2.5 DIESEL / TD	STC803	CYLINDER HEAD	
200TDI	RTC6896	CYLINDER HEAD	
300TDI	ERR5027	CYLINDER HEAD	
3.5 V8 Carb	LDF108080	CYLINDER HEAD	



Engine Timing



300TDi Camshaft Kits

STC4096K

INCLUDES:

- ERR4120 Gasket Cover Plate
- ERR1092 Timing Belt
- LHV10015 Idler - Timing Belt
- LHP10086 Tensioner - Timing Belt - OEM
- ERR4707 Pulley - Timing Belt

STC4095K

INCLUDES AS ABOVE, PLUS:

- ERR4706 Cover Side
- ERR4860 Gasket Front Cover
- BR1142 Joint Washer
- ERR631 Gasket
- ERR4664 Cover Front Engine
- ERR6835 Bracket Support

Modification to replace parts on all 300TDi prior to VIN VA129096

NO.	ENGINE	PART NO.	DESCRIPTION	NOTE
1	2.25 PETROL & DIESEL	538039	GASKET - TIMING COVER	
1	2.5 PETROL	538039	GASKET - TIMING COVER	
1	2.5 DIESEL	ETC4420	GASKET - TIMING COVER	front
1	2.5 TD	ERR3616	GASKET - TIMING COVER	front
1	200TDI	ERR1553	GASKET - TIMING COVER	front
1	300TDI	ERR7293	GASKET - TIMING COVER	front
1	3.5 V8 Carb	ERR4936	GASKET - TIMING COVER	
2	2.25 + 2.5 PETROL	ERC7987	OIL SEAL - FRONT COVER	single lip
2	2.25 + 2.5 PETROL	ETC5187	OIL SEAL - FRONT COVER	double lip
2	2.25 DIESEL	ERC7987	OIL SEAL - FRONT COVER	
2	2.5 DIESEL & TD	ETC4154	OIL SEAL - FRONT COVER	
2	200TDI	ETC4154	OIL SEAL - FRONT COVER	
2	300TDI	ERR4576	OIL SEAL - FRONT COVER	
2	3.5 V8 Carb	ERR1632	OIL SEAL - FRONT COVER	
3	2.25 PETROL & DIESEL	ERC7987	OIL SEAL - CRANKSHAFT	front
3	2.5 DIESEL & TD	ERR1632	OIL SEAL - CRANKSHAFT	front
3	200TDI	ERR1632	OIL SEAL - CRANKSHAFT	front
3	300TDI	ERR4575	OIL SEAL - CRANKSHAFT	front
3	TD5	ERR5992	OIL SEAL - CRANKSHAFT	front
3	3.5 V8 Carb	ERR1632	OIL SEAL - CRANKSHAFT	front
4	2.5 DIESEL & TD	ETC5064	OIL SEAL - CAMSHAFT	
4	200TDI	ETC5064	OIL SEAL - CAMSHAFT	
4	300TDI	ERR3356	OIL SEAL - CAMSHAFT	
4	2.25 & 2.5 PETROL & DIESEL	ERR2532	OIL SEAL - CRANKSHAFT	rear
4	2.5 TD & 200TDI	ERR2532	OIL SEAL - CRANKSHAFT	rear

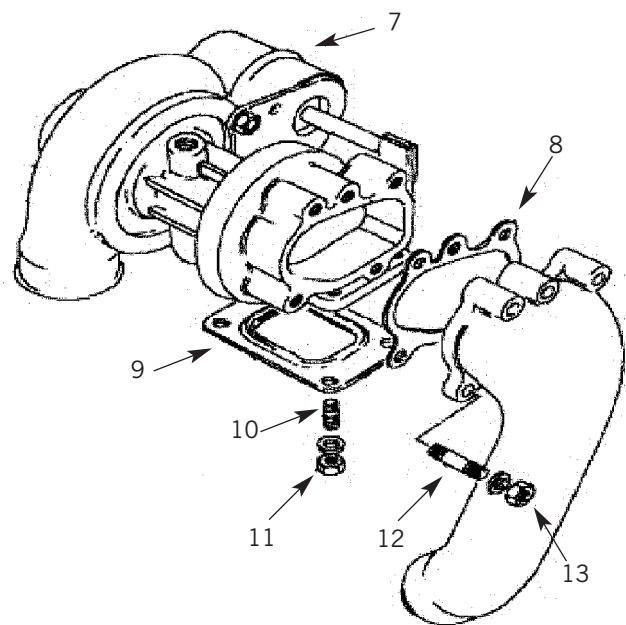
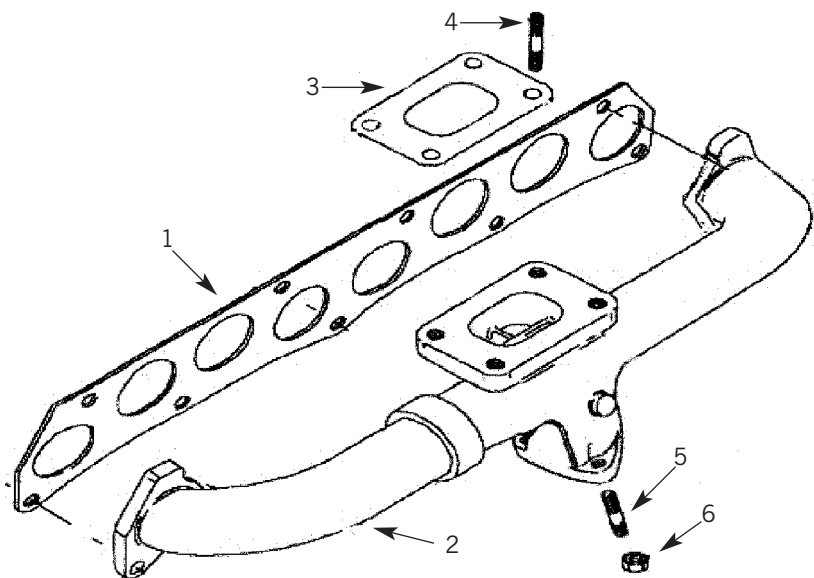
NO.	ENGINE	PART NO.	DESCRIPTION	NOTE
4	300TDI	ERR6818	OIL SEAL - CRANKSHAFT	rear
4	3.5 V8 Carb	ERR2640	OIL SEAL - CRANKSHAFT	rear
5	2.5 DIESEL & TD	ETC7333	TIMING BELT	
5	200TDI	ETC8550	TIMING BELT	
5	300TDI	ERR1092	TIMING BELT	
6	2.25 PETROL & DIESEL	504375	TIMING CHAIN	
6	2.5 PETROL	ETC5191	TIMING CHAIN	
6	3.5 V8 Carb	ERC7929	TIMING CHAIN	
7	2.5 DIESEL & TD	ERC8861	TENSIONER FOR BELT	
7	200TDI	ERR2530	TENSIONER FOR BELT	
7	300TDI	ERR1972	TENSIONER FOR BELT	
8	2.25 PETROL & DIESEL	247912	TENSIONER FOR CHAIN	*
8	2.5 PETROL	ETC5190	TENSIONER FOR CHAIN	
9	300TDI	ETC8560	IDLER FOR BELT	TO VA 117353
9	300TDI	LHV100150	IDLER FOR BELT	FROM VA117354
A	200TDI	ETC4077	TORSIONAL VIBRATION DAMPER	NO PAS
A	200TDI	ERR751	TORSIONAL VIBRATION DAMPER	PAS
A	300TDI	ERR2220	TORSIONAL VIBRATION DAMPER	
A	TD5	LHG100580	TORSIONAL VIBRATION DAMPER	
B	2.25, 2.5 PETROL	568333	CRANKSHAFT PULLEY	
B	2.5 DIESEL / TD	ERC9765	CRANKSHAFT PULLEY	
B	200TDI	ERR1642	CRANKSHAFT GEAR	
B	300TDI	LHH100660	CRANKSHAFT PULLEY	

* Modification - 247912, use ETC5190 + ETC5191 chain



B
E
A
R
M
A
C
H

Exhaust Manifolds/Turbo



1	274171	GASKET	Manifold to Head	Petrol	
1	ETC 7750	GASKET	Manifold to Head	Diesel / Turbo Diesel	
1	ERR 1208	GASKET	Manifold to Head	200 Tdi	
1	ERR 3785	GASKET	Manifold to Head	300 Tdi	
1	LKG100470	GASKET	Manifold to Head	TD5	
2	ERC 9071	EXHAUST MANIFOLD		2.25 Petrol	up to 86
2	ETC 5330	EXHAUST MANIFOLD		2.5 Petrol	87 to 96
2	ERC 9688	EXHAUST MANIFOLD		2.5 Diesel	to FA375546 up to 86
2	ETC 5331	EXHAUST MANIFOLD		2.5 Diesel	from FA375547 87 to 96
2	ETC 7633	EXHAUST MANIFOLD		2.5 Turbo Dies	up to 95
2	ERR 678	EXHAUST MANIFOLD		200 Tdi	up to 95
2	ERR 4802	MANIFOLD & TURBO ASSY		300 Tdi	
2	LKC102020	EXHAUST MANIFOLD		TD5	
3	ERR 4387	GASKET	exhaust to inlet	2.25 + 2.5 Pet	up to 96
4	TE 108131L	STUD	exhaust manifold to inlet	2.25 + 2.5 Pet	up to 96
5	AFU 1848L	STUD	manifold to downpipe	2.25 + 2.5 Pet	up to 96
6	AFU 2778	NUT	manifold to downpipe	2.25 + 2.5 Pet	up to 96
7	STC99	TURBO ASSY		2.5 Turbo Diesel	
7	ETC8751	TURBO ASSY		200 Tdi	
7	ERR 4802	TURBO & MANIFOLD ASSY		300 Tdi	
7	PMF000040	TURBO ASSY		TD5	
8	ETC 5898	GASKET	to outlet	2.5 T/Dies + 200 Tdi	
9	ETC 5710	GASKET	fixing turbo to manifold	2.5 Turbo Dies	up to 95
9	ETC 5710	GASKET	fixing turbo to manifold	200 Tdi	up to 95
9	ERR6768	GASKET	fixing turbo to manifold	TD5	
10	ETC 7667	STUD	fixing turbo to manifold	2.5 Turbo Dies	up to 95
10	ERR 551L	STUD	fixing turbo to manifold	200 Tdi	up to 95
11	ETC 7184	NUT	fixing turbo to manifold	2.5 T/Dies + 200 Tdi	
12	RTC 6093	STUD	(m8 x 48)	2.5 T/Dies + 200 Tdi	
13	ETC 7058	ELBOW	OUTLET	2.5 T/Dies + 200 Tdi	
13	ERR 551L	STUD	fixing turbo to manifold	2.5 T/Dies + 200 Tdi	
13	NH 108065L	NUT		2.5 T/Dies + 200 Tdi	

Tel: +44 (0)29 20 856 550

Manufacturers' part numbers are used for reference purposes only

QUICK REFERENCE

PAGE
26

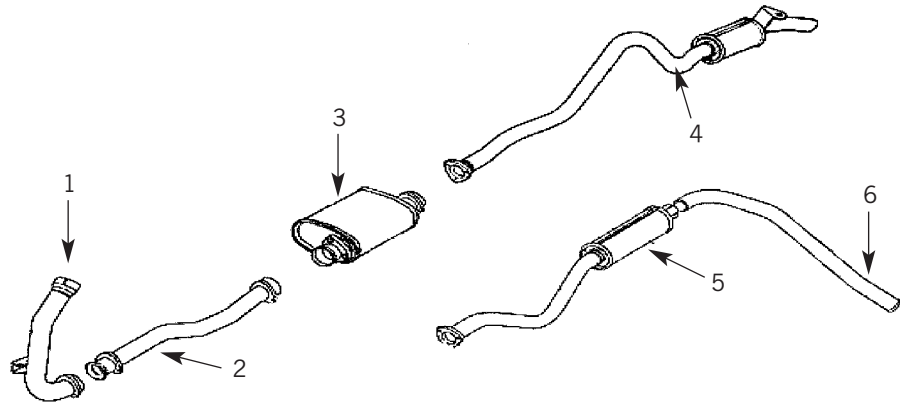
PARTS SUITABLE FOR
LAND ROVER DEFENDER



B
E
A
R
M
A
C
H

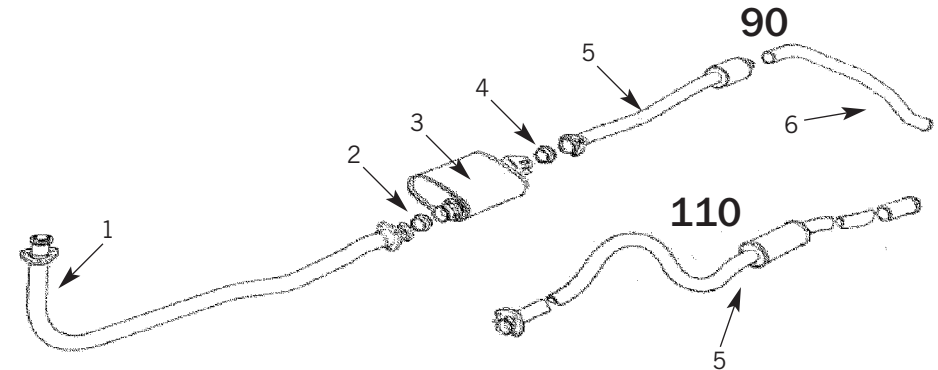
All 4 Cylinder - Petrol & N/A Diesel

90 up to VIN 267063 110 UP TO VIN 266789



All 4 Cylinder - Petrol & N/A Diesel

90 up to VIN 267064 110 UP TO VIN 266790



1	NRC8911	DOWN PIPE	90/110	2.25	PETROL
1	NTC2036	DOWN PIPE	90/110	2.5	PETROL
1	NRC8966	DOWN PIPE	110	2.25	DIESEL
1	NRC9137	DOWN PIPE	90/110	2.5	DIESEL
2	NRC6436	INTERMEDIATE PIPE	90/110	2.25	PETROL/DIESEL
2	NRC6436	INTERMEDIATE PIPE	90/110	2.5	DIESEL
2	NTC1664	INTERMEDIATE PIPE	90/110	2.5	PETROL
3	NRC8888	CENTRE SILENCER	90		ALL MODELS
3	NRC6433	CENTRE SILENCER	110		ALL MODELS
4	NRC8889	REAR SILENCER	90		TO VIN 232010 TRUCK CABS
4	NRC8889	REAR SILENCER	90		TO VIN 253495 HARD TOPS+S/WAGONS
4	NRC7842	REAR SILENCER	110		ALL MODELS
5	NTC1150	REAR SILENCER	90		FROM VIN 232011 TRUCK CABS
5	NTC1150	REAR SILENCER	90		FROM VIN 253496 HARD TOPS+S/WAGONS
6	NTC1149	TAILPIPE	90		FROM VIN 232011 TRUCK CABS
6	NTC1149	TAILPIPE	90		FROM VIN 253496 HARD TOPS+S/WAGONS

1	NTC1794K	DOWN PIPE	90/110	PETROL
1	ESR1617	DOWN PIPE	90/110	DIESEL
2	NTC1030	OLIVE		
4	NTC2731	OLIVE		
5	NTC1799	REAR SILENCER	90	
5	NTC1800K	REAR SILENCER	110	
6	NTC1149	TAIL PIPE	90	

Website - www.bearmach.com

PARTS SUITABLE FOR
LAND ROVER DEFENDER

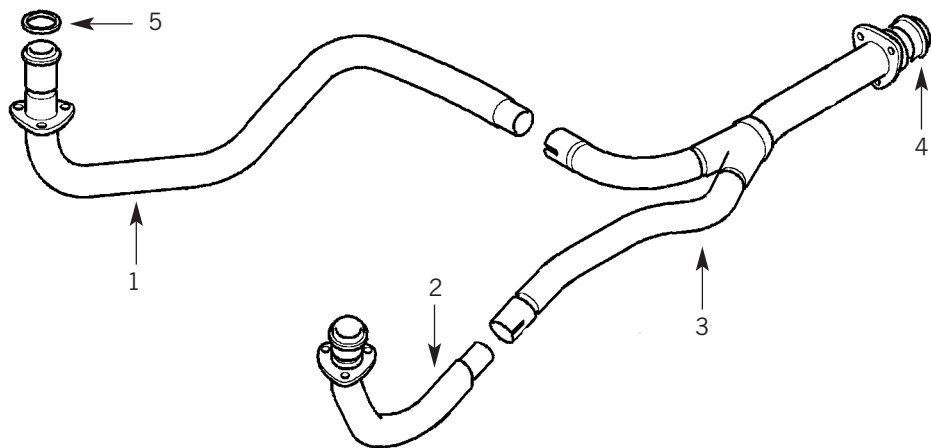
PAGE
27

QUICK REFERENCE

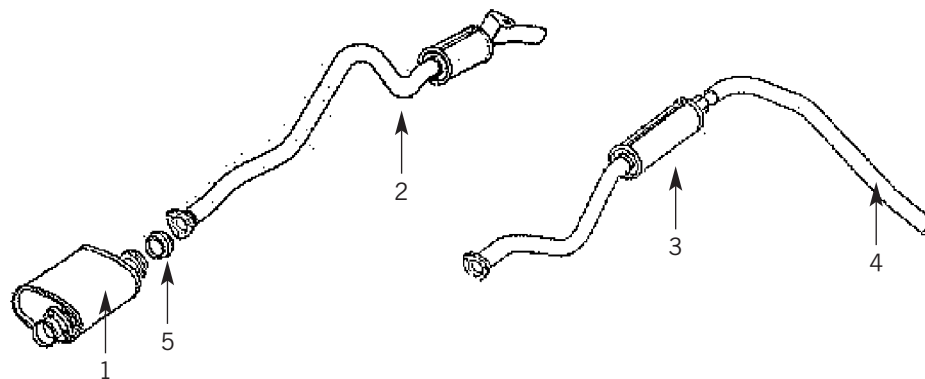


B
E
A
R
M
A
C
H

Exhaust V8 Front



Exhaust V8 Rear



1	NRC6432	DOWNPIPE	V8	TO 267907
1	NTC1136	DOWNPIPE	V8	267908 - FA 404321
1	NRC6432	DOWNPIPE	V8	FA 404322 ON
2	NRC4219	DOWNPIPE	V8	TO 267907
2	NTC1133	DOWNPIPE	V8	267908 - FA 404321
2	NRC4219	DOWNPIPE	V8	FA 404322 ON
3	NRC4218	Y-PIECE	V8	TO 267907
3	NTC2726	Y-PIECE	V8	FROM 267908
4	NTC1030	OLIVE	V8	FROM 267908
5	ERC2734	GASKET	V8	267908 - FA 404321

1	NRC8888	CENTRE SILENCER	90	TO VIN 267063
1	NRC6433	CENTRE SILENCER	110	TO VIN 266789
1	NTC4615	CENTRE SILENCER	90	FROM VIN 267064
1	NTC4614	CENTRE SILENCER	110	FROM 266790
2	NRC8889	REAR SILENCER	90	TO VIN 232010 TRUCK CABS
2	NRC8889	REAR SILENCER	90	TO VIN 253495 HARD TOPS+S/WAGONS
2	NRC7842	REAR SILENCER	110	TO VIN 267063
2	NTC1800K	REAR SILENCER	110	FROM VIN 267064
3	NTC1150	REAR SILENCER	90	VIN 232011 - 267063 TRUCK CABS
3	NTC1150	REAR SILENCER	90	VIN 253496 - 267063 HARD TOPS+S/WAGONS
3	NTC1799	REAR SILENCER	90	FROM VIN 267064
4	NTC1149	TAILPIPE	90	FROM VIN 232011 TRUCK CABS
4	NTC1149	TAILPIPE	90	FROM VIN 253496 HARD TOPS+S/WAGONS
5	NTC2731			

Tel: +44 (0)29 20 856 550

Manufacturers' part numbers are used for reference purposes only

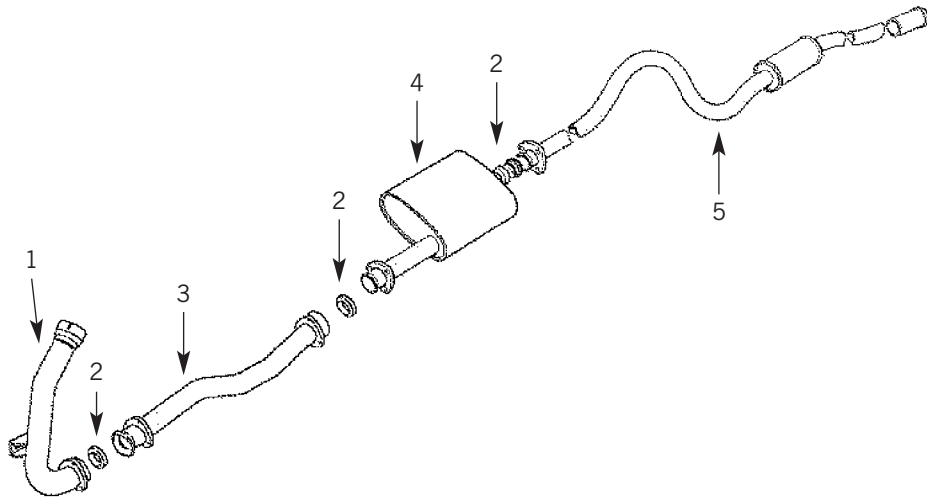
QUICK REFERENCE

PAGE
28

PARTS SUITABLE FOR
LAND ROVER DEFENDER

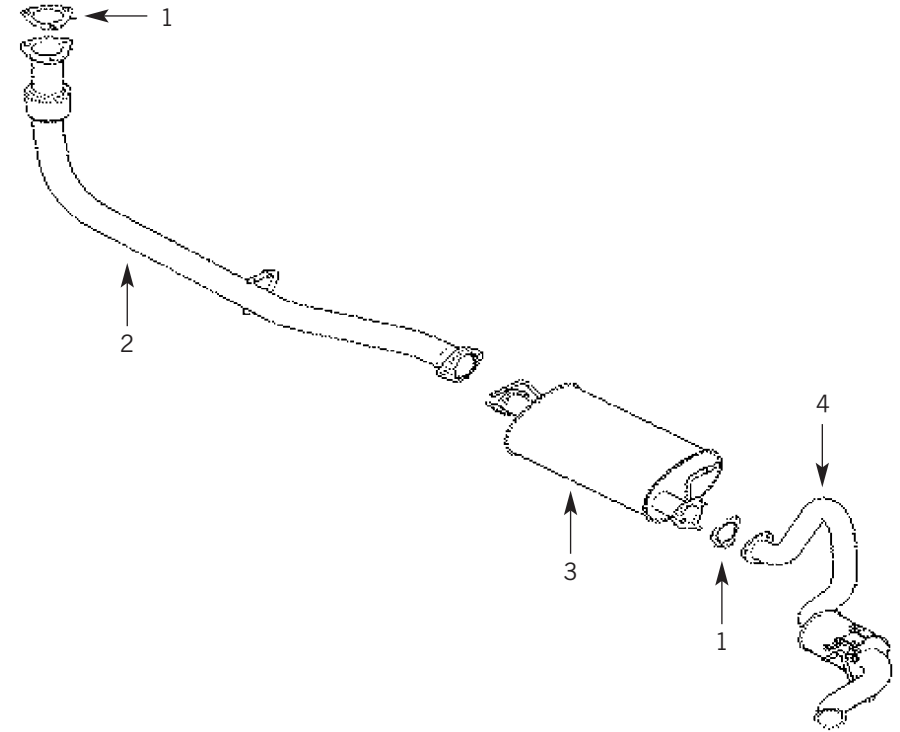


Exhaust Turbo Diesel



1	NTC4426	DOWN PIPE	90	TO FA 450140
1	NTC4426	DOWN PIPE	110	TO FA 450078
1	ESR159	DOWN PIPE	90	FA 450141 ON
1	ESR159	DOWN PIPE	110	FA 450079 ON
2	NTC1030	OLIVE		
3	NTC4221	INTERMEDIATE PIPE		
4	NTC1665	CENTRE SILENCER	90	
4	NTC1666	CENTRE SILENCER	110	
5	NTC1802	REAR SILENCER	90	
5	NTC2832	REAR SILENCER	110	

Exhaust TD5



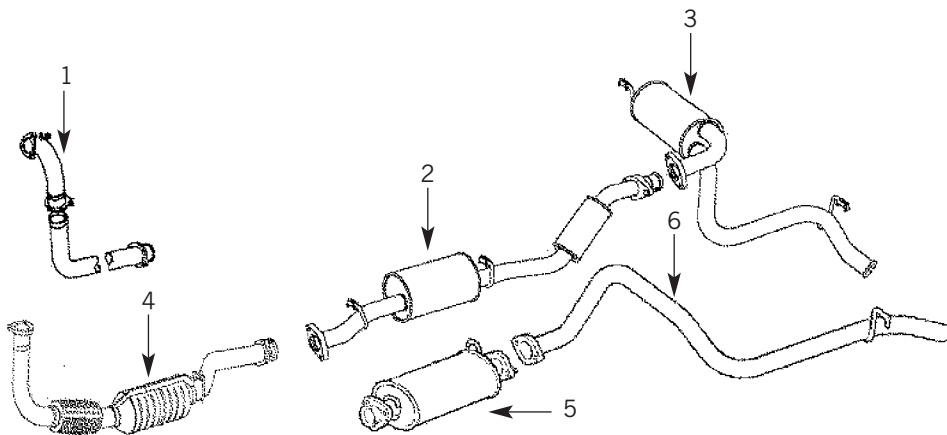
1	ESR3737	GASKET		
2	WCD000960	FRONT PIPE		
2	WCD000500	FRONT PIPE		WITH EGR
3	WCE105170	CENTRE SILENCER	90	
3	WCE105180	CENTRE SILENCER	110	
3	WCE105190	CENTRE SILENCER	130	
4	WCG102940	REAR SILENCER	90	
4	WCG103020	REAR SILENCER	110/130	



B
E
A
R
M
A
C
H

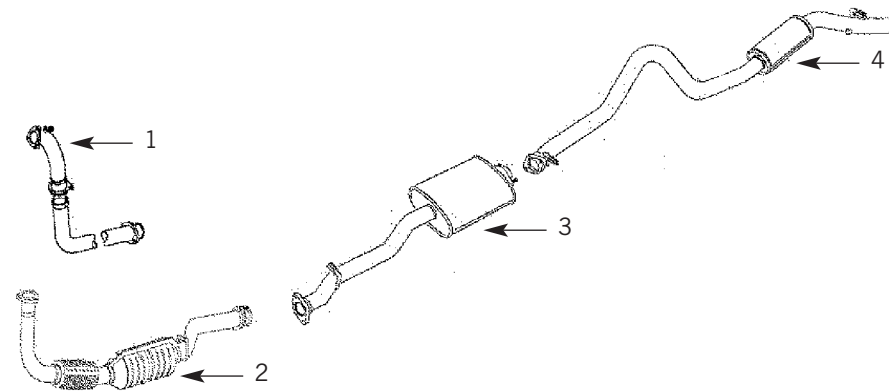
Exhaust

90 TDI



Exhaust

110 TDI



1	ESR158	DOWNPIPE	200TDI	TO LA939975	
1	ESR2297	DOWNPIPE	300TDI	FROM MA 939976	EXCEPT CATALYST
2	ESR358	FRONT SILENCER	200TDI	TO LA939975	
2	ESR2381	FRONT SILENCER	300TDI	MA939976 - TA999221	
3	ESR254	REAR SILENCER	200TDI	TO LA939975	
3	ESR2382	REAR SILENCER	300TDI	MA939976 - TA999221	
4	ESR3495	DOWNPIPE	300TDI	FROM MA 939976	WITH CATALYST
5	ESR4526	REAR SILENCER	300TDI	FROM TA 999222	
6	ESR4527	TAILPIPE	300TDI	FROM TA 999222	

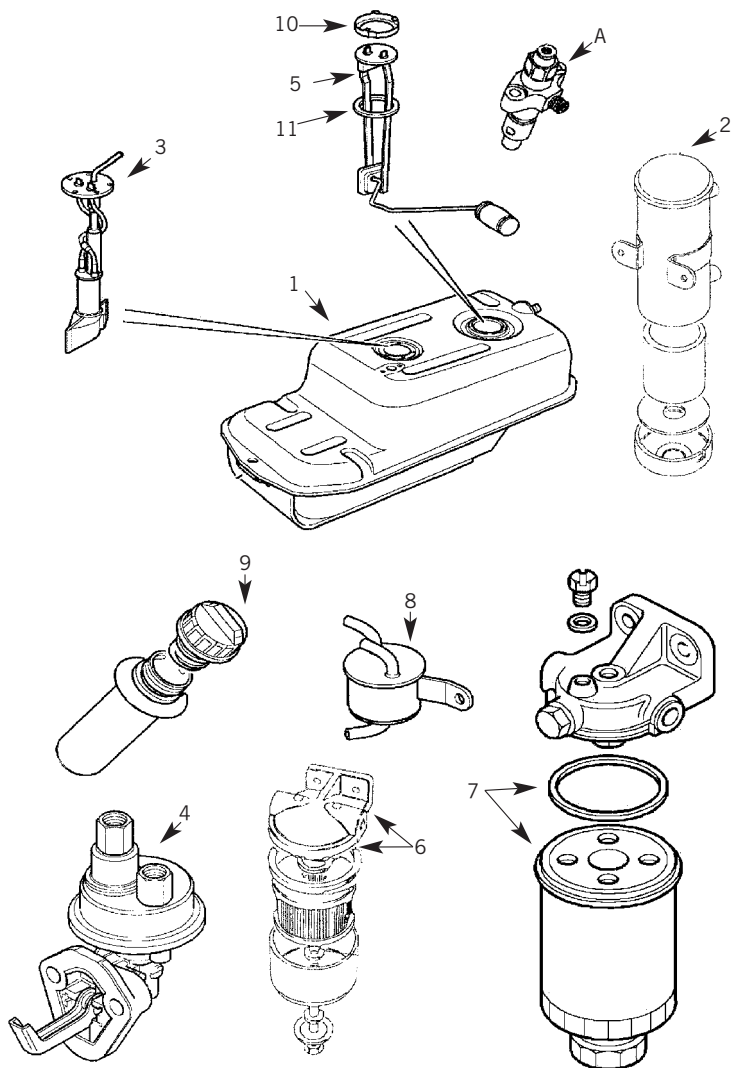
1	ESR158	DOWNPIPE	200TDI	TO LA 939975	
1	ESR2297	DOWNPIPE	300TDI	FROM MA 939976	EXCEPT CATALYST
2	ESR3495	DOWNPIPE	300TDI	FROM MA 939976	WITH CATALYST
3	ESR54	FRONT SILENCER	200TDI	TO LA 939975	
3	ESR2383	FRONT SILENCER	300TDI	FROM MA 939976	
4	ESR359	REAR SILENCER	200TDI	TO LA 939975	
4	ESR2384	REAR SILENCER	300TDI	FROM MA 939976	

Tel: +44 (0)29 20 856 550

Manufacturers' part numbers are used for reference purposes only



Fuel System



1	NRC9225	FUEL TANK	90	TO AA 243342		
1	ESR2242	FUEL TANK	90	AA 243343 - WA 159806		
1	WHK100040	FUEL TANK	90	XA 159807 ON	DIESEL	
1	WHK100060	FUEL TANK	90	XA 159807 ON	PETROL	
1	NRC9515	FUEL TANK	110/130	TO AA 243342		SEE NOTE
1	WFE000190	FUEL TANK	110/130	AA 243343 - WA 159806		SEE NOTE
1	WHK100050	FUEL TANK	110/130	XA 159807 ON	DIESEL	
1	WHK100070	FUEL TANK	110/130	XA 159807 ON	PETROL	
2	PRC3901	FUEL PUMP	90	TO AA 243342	PETROL	
2	PRC3901	FUEL PUMP	110/130	AA 203223 - WA 159806		
3	PRC7019	FUEL PUMP	90	AA 243343 - WA 159806	PETROL	EXCEPT EFI
3	WQB100410	FUEL PUMP	90	XA 159807 ON	TD5	
3	PRC7020	FUEL PUMP	110/130	AA 243343 - WA 159806	PETROL	
3	WQB100470	FUEL PUMP	110/130	XA 159807 ON	V8	
3	WQB100420	FUEL PUMP	110/130	XA 159807 ON	TD5	
4	ERC9594	FUEL PUMP	110/130	2.25 PETROL UP TO AUG 86		
4	STC1190	LIFT PUMP	ALL	NA DIESEL, TD, 200TDI		
4	ERR5057	LIFT PUMP	ALL	300TDI		
5	PRC4262	FUEL SENSOR	90	TO AA 243342		
5	STC1139	FUEL SENSOR	90	AA 243343 - WA 159806		
5	PRC8463	FUEL SENSOR	110/130	TO JA 915357	DIESEL	
5	AMR1495	FUEL SENSOR	110/130	JA 915358 - WA 159806	DIESEL	
5	PRC8707	FUEL SENSOR	110/130	TO JA 915411	PETROL	W/O WARNING LIGHT
5	STC1482	FUEL SENSOR	110/130	TO JA 915411	PETROL	WITH WARNING LIGHT
5	AMR1496	FUEL SENSOR	110/130	JA 915412 - WA159806	PETROL	
6	JS660L	FUEL FILTER	ALL		PETROL	EXCEPT EFI
6	ESR4065	FUEL FILTER	ALL		PETROL	EFI
7	RTC6079	FUEL FILTER	ALL	NA DIESEL, TURBO DIESEL		
7	AEU2147L	FUEL FILTER	ALL	200TDI, 300TDI		
7	ESR4686	FUEL FILTER	ALL	TD5		
8	NRC9772	SEPERATOR	ALL	TO WA 159806	PETROL	4 cylinder
9	NRC9572	FILLER CAP		TO AA 259678	2 LUG	VENT, NON LOCK
9	NRC9429	FILLER CAP		TO AA 259678	3 LUG	NON VENT, NON LOCK
9	RTC4741	FILLER CAP	GREY	AA 259679 - WA 159806	2 LUG	NON VENT, LOCK
9	STC4072	FILLER CAP	BLACK	AA 259679 - WA 159806	2 LUG	VENT, LOCK
9	NTC2757	FILLER CAP		AA 259679 - WA 159806	UNLEAD	VENT, NON LOCK
9	WLD100730	FILLER CAP		FROM XA 159807		LOCK
10	ARA1502L	SEAL		TO WA 159806		
10	ESR3806	SEAL		FROM WA 159807		
11	ARA1501L	RING		TO WA 159806		
11	ESR3808	RING		FROM WA 159807		
0	542846	OLIVE		TO EA 328280		For pipes to tank / separator etc
0	NRC9771	OLIVE		EA 328281 - WA 159806		For pipes to tank / separator etc
0	603431	NUT		TO EA 328280		For pipes to tank / separator etc
0	NRC9770	NUT		EA 328281 - WA 159806		For pipes to tank / separator etc
A	ERR1266	INJECTOR		NA DIESEL, TURBO DIESEL		
A	ETC8412	INJECTOR		200TDI		
A	ERR3339	INJECTOR		300TDI		

NOTE: ALL OUR STEEL 110/130 FUEL TANKS INCLUDE CRADLE (PART NO. ESR2204)



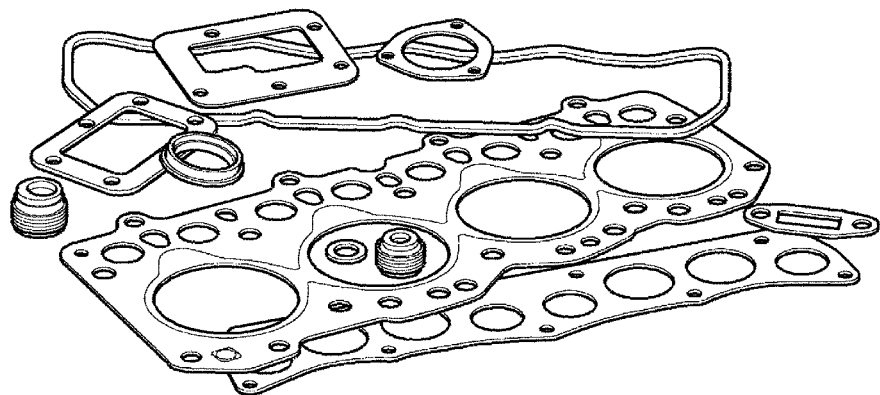
Engine Gaskets

PLEASE NOTE

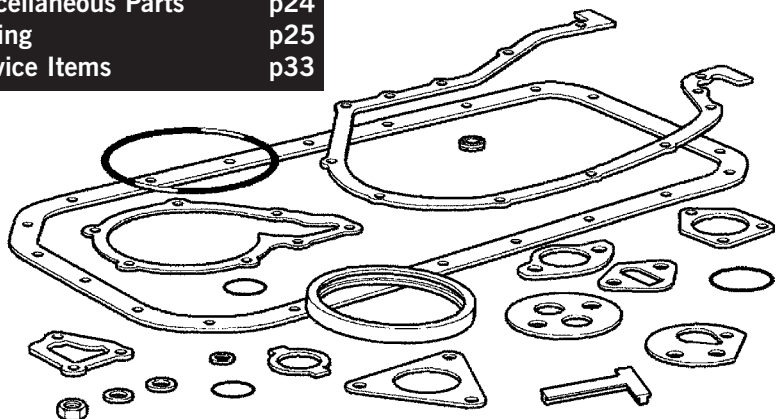
Head Gaskets are available in 3 different thicknesses:

- 1.3mm – 1 Hole
- 1.4mm – 2 Holes
- 1.5mm – 3 Holes

The holes that denote the thickness are on the tab at the side of the gasket



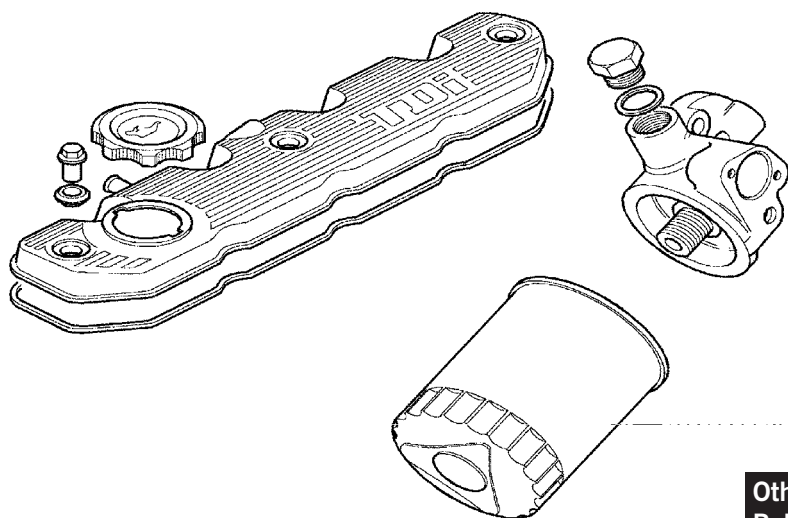
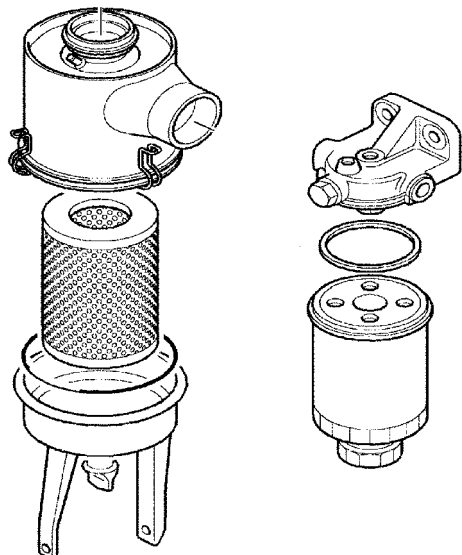
Other Engine parts:
 Belts p7
 Miscellaneous Parts p24
 Timing p25
 Service Items p33



ENGINE	PART NO.	DESCRIPTION	NOTE
2.25 & 2.5 PETROL	ERC6380	HEAD GASKET ONLY	
2.25 & 2.5 DIESEL	ETC5301	HEAD GASKET ONLY	HALITE
2.25 & 2.5 DIESEL	ERC7401	HEAD GASKET ONLY	COPPER
2.5 TURBO DIESEL	ERR3618	HEAD GASKET ONLY	
200TDI	ERR5261	HEAD GASKET ONLY	1 HOLE
200TDI	ERR5262	HEAD GASKET ONLY	2 HOLE
200TDI	ERR5263	HEAD GASKET ONLY	3 HOLE
300TDI	ERR4537	HEAD GASKET ONLY	1 HOLE
300TDI	ERR4538	HEAD GASKET ONLY	2 HOLE
300TDI	ERR4539	HEAD GASKET ONLY	3 HOLE
TD5	LVB000250	HEAD GASKET ONLY	1 HOLE
TD5	LVB000240	HEAD GASKET ONLY	2 HOLE
TD5	LVB000260	HEAD GASKET ONLY	3 HOLE
3.5 V8 Carb to 24G13113A	603794	HEAD GASKET ONLY	STEEL
3.5 V8 Carb from 24G13114A	ERR4248	HEAD GASKET ONLY	to 95
3.5 V8 Carb	ERR5448	HEAD GASKET ONLY	95 on
4.0 V8 EFI	ERR7217	HEAD GASKET ONLY	
2.25 PETROL	RTC3335	DECOKE GASKET SET	
2.5 PETROL	STC1640	DECOKE GASKET SET	
2.25 DIESEL	RTC3336	DECOKE GASKET SET	
2.5 DIESEL	STC152	DECOKE GASKET SET	
2.5 TURBO DIESEL	RTC5774	DECOKE GASKET SET	
200TDI	STC1172	DECOKE GASKET SET	head gasket not inc.
300TDI	STC2802	DECOKE GASKET SET	head gasket not inc.
3.5 V8 Carb	RTC3337	DECOKE GASKET SET	to 95
3.5 V8 Carb	STC1566	DECOKE GASKET SET	95 on
4.0 V8 EFI	STC1641	DECOKE GASKET SET	
2.25 PETROL	608124	OVERHAUL GASKET SET	
2.25 DIESEL	525520	OVERHAUL GASKET SET	
2.5 PETROL	RTC2890	BOTTOM GASKET SET	
2.5 DIESEL	STC1559	BOTTOM GASKET SET	
2.5 TURBO DIESEL	STC1558	BOTTOM GASKET SET	
200TDI	STC1557	BOTTOM GASKET SET	
300TDI	STC2801	BOTTOM GASKET SET	
3.5 V8 Carb	RTC3306	BOTTOM GASKET SET	to 95
3.5 V8 Carb	STC1639	BOTTOM GASKET SET	95 on
4.0 V8 EFI	STC1639	BOTTOM GASKET SET	



Service Items



3.5 V8 PETROL

OIL FILTER	ERR3340
AIR FILTER	RTC3479
FUEL FILTER	JS660L
BREATHER	606168
FLAME TRAP	603330
SPARK PLUGS	RTC3570
SPARK PLUGS (RN11YCC)	ERR3799
POINTS (FIXED)	RTC6623
POINTS (SLIDING)	RTC6626
CONDENSER	RTC3472
ROTOR ARM (POINTS)	RTC3618
ROTOR ARM (ELEC IGN)	STC1857
DIAPHRAGM	JS499R
SUMP WAHER	213961
SUMP GASKET	602087

2.5 DIESEL + TD

OIL FILTER	ERR3340
AIR FILTER	NRC9238
FUEL FILTER	RTC6079
BREATHER SEAL	ERC8049
ROCKER GASKET	ETC6438
SUMP WASHER	FRC4808
SUMP GASKET	546841

200 TDI

OIL FILTER	ERR3340
AIR FILTER	NTC6660
AIR FILTER (alternative)	NRC9238
FUEL FILTER	AEU2147L
ROCKER GASKET	ERR2393
SUMP WASHER	213961L
SUMP SEALANT	STC611

2.25 PETROL

OIL FILTER	ERR3340
AIR FILTER	NRC9238
SPARK PLUGS	RTC35704
POINTS lucas	RTC6627
POINTS ducellier	RTC6625
CONDENSER lucas	RTC6621
CONDENSER ducellier	RTC6620
ROTOR ARM lucas	RTC3614
ROTOR ARM ducellier	RTC4933
ROCKER GASKET	ERR4933
SUMP WASHER	243959
SUMP GASKET	546841

2.5 PETROL (AS ABOVE EXCEPT)

SPARK PLUGS	ERR3799
POINTS (sliding)	RTC6627
POINTS (fixed)	RTC6627
SUMP WASHER	FRC4808

300 TDI

OIL FILTER	ERR3340
AIR FILTER	ESR2623
FUEL FILTER	AEU2147L
FUEL FILTER (heated)	RTC5938
ROCKER GASKET	ERR2409
SUMP PLUG WASHER (copper)	UAM2857L

SUMP PLUG WASHER (alu)	ALU1403L
SUMP SEALANT	STC611

TD5

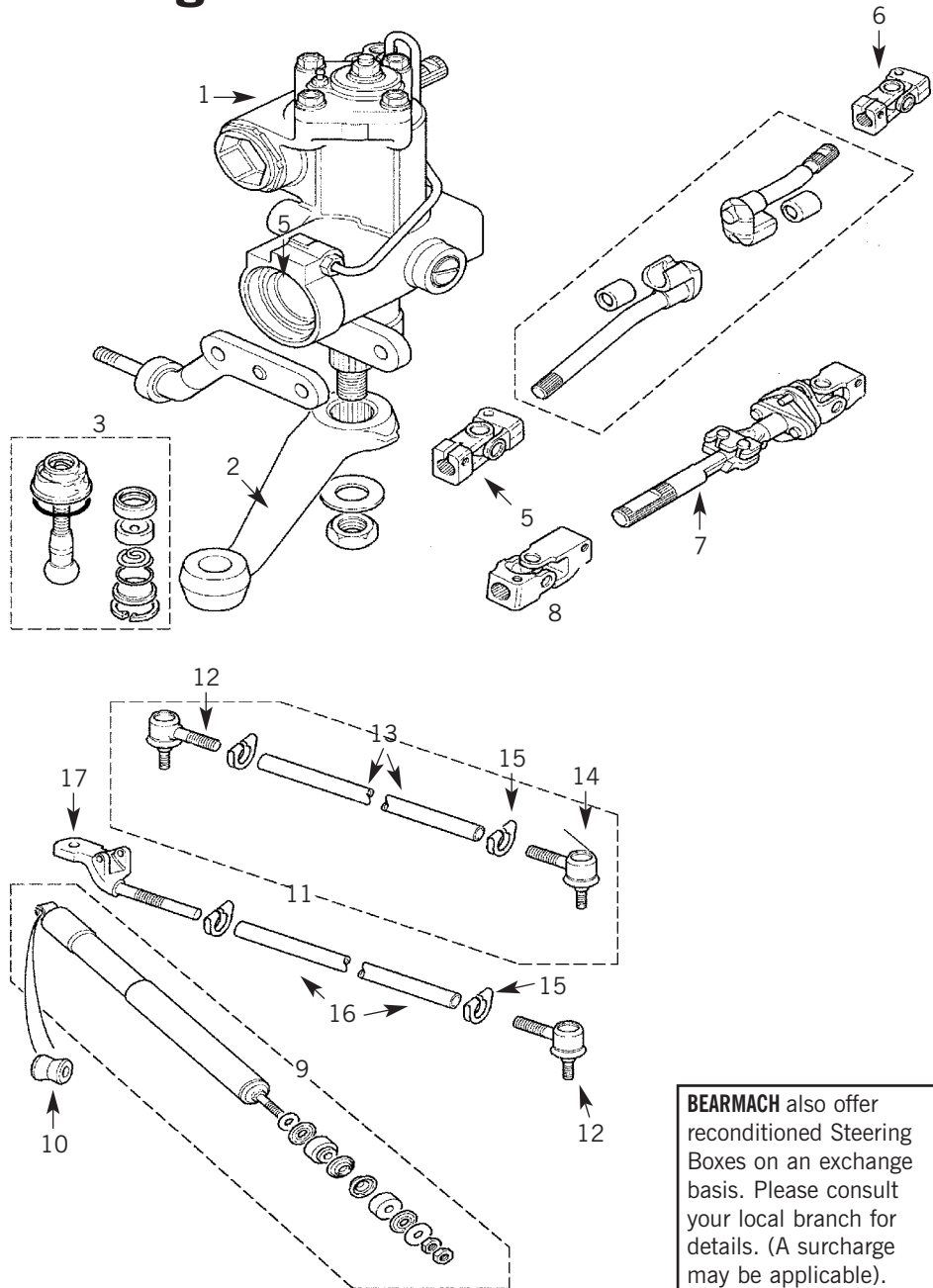
OIL FILTER	LPX100590
ROTOR FILTER	ERR6299
AIR FILTER	ESR4238
FUEL FILTER	ESR4686
ROCKER GASKET	ERR7094
SUMP PLUG WASHER	CDU1001L

Other Engine parts:
 Belts p7
 Miscellaneous Parts p24
 Timing p25
 Gaskets p32



**B
E
A
R
M
A
C
H**

Steering



BEARMACH also offer reconditioned Steering Boxes on an exchange basis. Please consult your local branch for details. (A surcharge may be applicable).

1	NTC2590	STEERING BOX	MANUAL	
1	NRC6051	STEERING BOX	POWER	3 BOLT
1	NTC1580	STEERING BOX	POWER	4 BOLT
1	NTC1582	STEERING BOX	POWER	6 BOLT
2	RTC6398	DROP ARM	MANUAL	GEMMER
2	QFW000020	DROP ARM	MANUAL	ADWEST
2	QFW000020	DROP ARM	POWER	3,4 BOLT
2	RTC6398	DROP ARM	POWER	6 BOLT
3	RBG000010	BALL JOINT		
4	RTC4738	STEERING SHAFT		TO VA 133508
5	NRC7704	JOINT - LOWER		TO VA 133508
6	NRC7387	JOINT - UPPER		TO VA 133508
7	QLG100000	STEERING SHAFT		FROM VA 133509
8	QLC100080	JOINT		FROM VA 133509
9	RTC4472	STEERING DAMPER		
10	NTC1775	BUSH		
11	NRC9743	TRACK ROD		
12	RTC5869	BALL JOINT		RH THREAD
13	NRC9742	TRACK ROD TUBE		
14	RTC5870	BALL JOINT		LH THREAD
15	577898	CLAMP		
16	ANR2860	TIE BAR TUBE		
17	NRC8231	CROSS ROD EYE END		TO LA 939975
17	ANR2858	CROSS ROD EYE END		FROM MA 939976
0	STC2848	BOTTOM SEAL KIT	POWER	3,4 BOLT BOXES

STEERING BOX OVERHAUL KIT

RTC308	3 BOLT		
STC2847	4 BOLT		
RTC5071R	6 BOLT		
ETC9077	PAS PUMP	2.25 PETROL	
ETC9077	PAS PUMP	TO 06/89	2.5 PETROL, DIESEL & TD
NTC8287	PAS PUMP	06/89-07/92	2.5 PETROL, DIESEL & TD
NTC9070	PAS PUMP	07/92 ON	2.5 PETROL, DIESEL & TD
NTC8287	PAS PUMP	TO (E) 11L 22454A	200TDI
NTC9070	PAS PUMP	FROM (E) 11L 22455A	200TDI
ANR2157	PAS PUMP	300TDI	
QVB101350	PAS PUMP	TD5	
*	PAS PUMP	V8	

*Consult your Bearmach branch

1	NTC8223	STEERING BOX	MANUAL	
1	STC888	STEERING BOX	POWER	
2	STC1045	DROP ARM	MANUAL & POWER	
2	RTC6399	DROP ARM	POWER	
17	NRC8232	CROSS ROD EYE		TO LA939975
17	ANR2859	CROSS ROD EYE		FROM MA939976
	STC1042	SEAL KIT - Steering box		

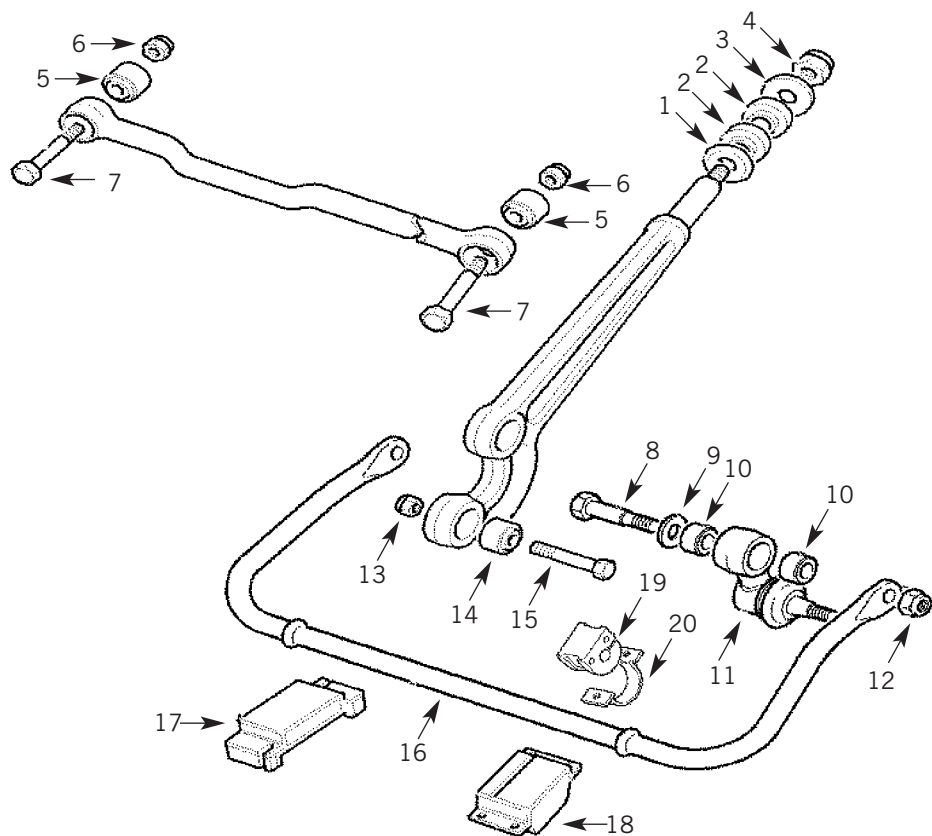
Tel: +44 (0)29 20 856 550



BEARMACH

Suspension

Front



NO.	PART NO.	DESCRIPTION	NOTE
1	NRC4515	CUP WASHER	
2	NRC4514	BUSH	A
2	ANR6971	BUSH	B
3	NRC4516	WASHER	A
4	RDB100070	NUT	B
5	ANR3410	PANHARD ROD BUSH	C
5	ANR3671	PANHARD ROD BUSH	D
6	NV114047	NUT	C
6	ANR3140	NUT	D
7	BH114167	BOLT	C
7	RYG101460	BOLT	D
8	NTC8202	PIN	
9	264024	WASHER	
10	552819	BUSH	
11	NTC1888	BALL JOINT	
12	NV116041L	NUT	
13	NY610041L	NUT	E
13	NY116051L	NUT	F
13	NV116047	NUT	G,H
13	ANR3140	NUT	J
14	NTC7307	BUSH	K
14	NTC6781	BUSH	L
15	BH610281L	BOLT	E
15	BX116187	BOLT	F
15	BH116207	BOLT	G
15	BH116187	BOLT	H
15	ANR5804	BOLT	J
16	NTC6837	ANTI ROLL BAR	
17	RRC2281	SPACER	
18	ANR4188	BUMP STOP	
19	NTC6828	BUSH A-ROLL BAR	
20	NTC6776	BRACKET CLAMP	

NOTE	CHASSIS NO.
A	TO VA 139784
B	FROM VA 130785
C	TO 2A 000000
D	FROM 2A 000001
E	TO KA 930434
F	KA 930434 - LA 939975
G	MA 939976 - XA 159806
H	XA 159807 - 1A 619069
J	FROM 1A619070
K	TO KA 930455
L	FROM LA 930456

BEARMACH also offer Heavy Duty Poly Bush Kits for the Land Rover range. These are available for most suspension components. Please see our Accessories Catalogue.

Website - www.bearmach.com

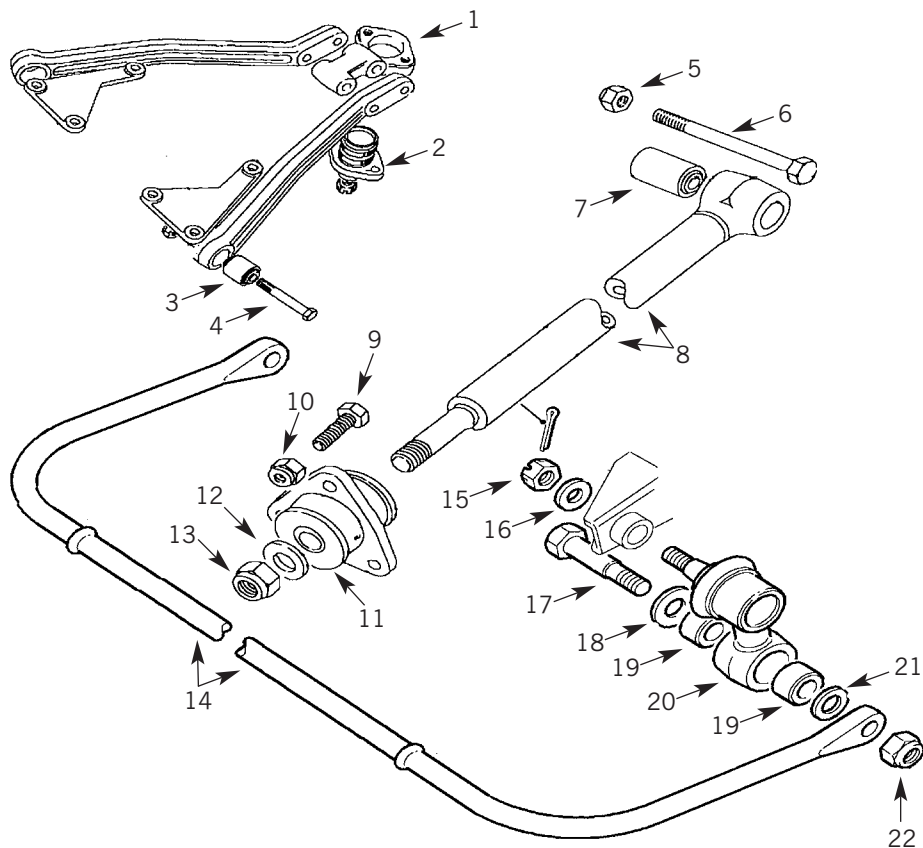
PARTS SUITABLE FOR
LAND ROVER DEFENDER



B
E
A
R
M
A
C
H

Suspension

Rear



NO.	PART NO.	DESCRIPTION	NOTE
1	NRC3923	BRACKET	A
1	ANR3037	BRACKET	B
2	ANR1799	JOINT - REAR SUS	
3	NTC1773	BUSH	
4	BH612321	BOLT	
5	NY610041L	NUT	
6	BH610321L	BOLT	
7	NTC1772	BUSH	
8	NTC4720	LINK ASSEMBLY*	C
8	NTC8328	LINK ASSEMBLY	D
9	SH110301	BOLT	E
9	SX110301	BOLT	F
10	NY110041	BOLT	E
10	NY110051L	BOLT	F
11	STC618	MOUNTING LOWER	PAIR
11	NTC9027	MOUNTING LOWER	EACH
12	WA120001	WASHER	
13	NY120041L	NUT	
14	ANR4344	ANTI ROLL BAR	
15	NC112041	CASTLE NUT	
16	WC112081L	WASHER	
17	NTC8202	PIN - 90	
17	NRC6658	PIN - 110/130	
18	264024	WASHER	
19	552819	BUSH	
20	NTC1888	BALL JOINT	
21	WC116101	WASHER	
22	NY116041L	NUT	

* NLA, USE NTC8328, MUST BE FITTED IN PAIRS

NOTE	CHASSIS NO.
A	TO KA 930263
B	FROM KA 930264
C	TO HA470427
D	FROM HA 470428
E	TO YA 185790
F	FROM YA 185791

QUICK REFERENCE

PAGE
36

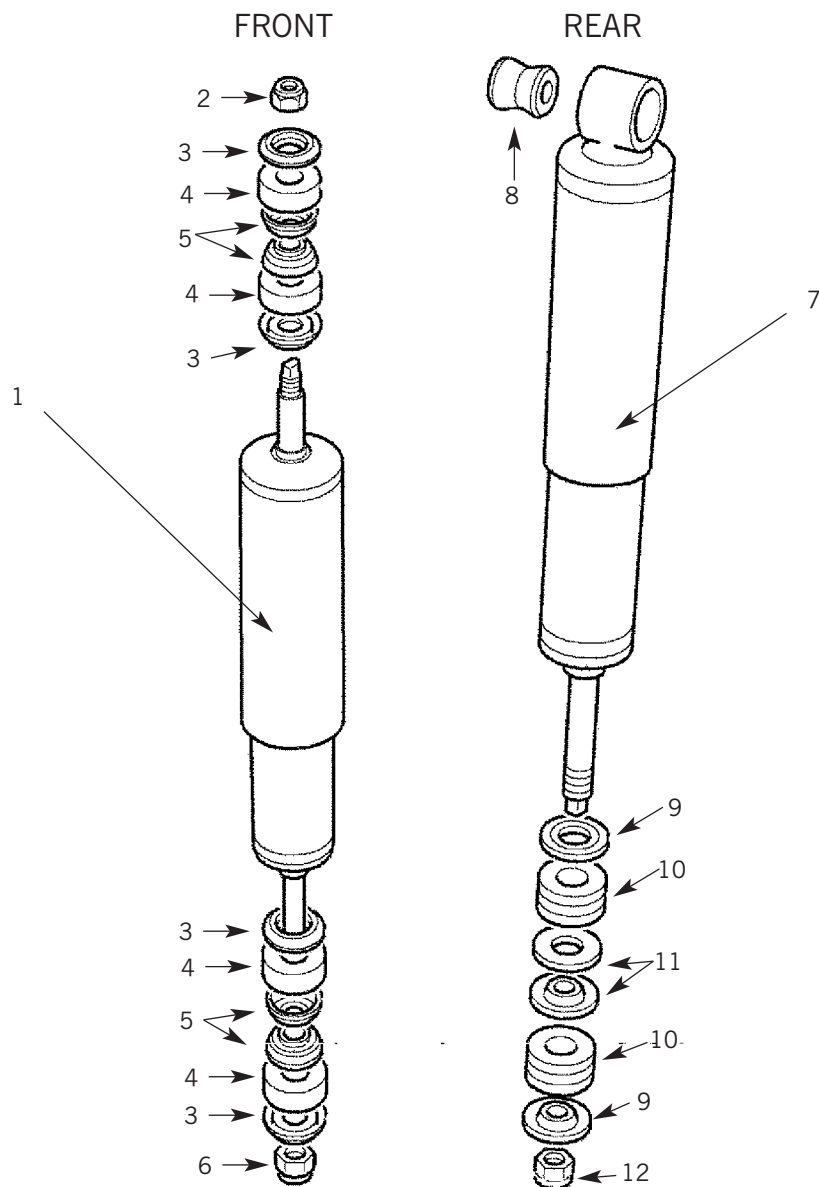
PARTS SUITABLE FOR
LAND ROVER DEFENDER

Tel: +44 (0)29 20 856 550



Shock Absorbers

Front & Rear



FRONT

90		
1	STC3766	UP TO WA 159806
1	RSC100040	FROM XA159807

110/130

1	STC3769	UP TO WA159806
1	RSC100050	FROM XA159807

ALL

2	NY608041L	NUT
3	500746	WASHER
4	552818	BUSH
5	NRC4365	WASHER
6	NY608041L	NUT

REAR

90

7	STC3767	UP TO WA 159806
7	RPM100070	FROM XA159807

110

NON SELF LEVELLING

7	RTC4639	UP TO HA478285
7	STC3771	HA478285-WA159806
7	STC3772	HA478285-WA159806 H/DUTY

110

SELF LEVELLING

7	STC3770	UP TO WA 159806
7	RPM100080	XA 159807 ON

130

7	STC3772	UP TO WA 159806
7	RBM100080	XA 159807 ON

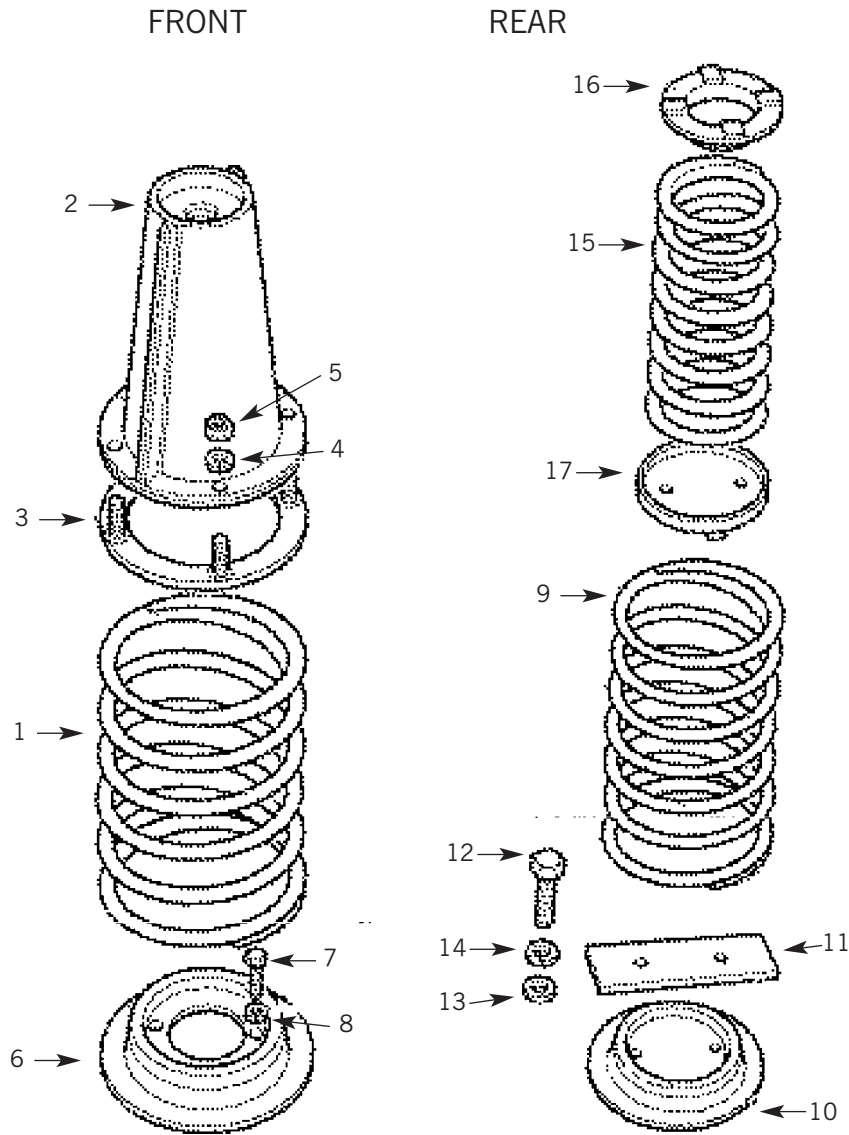
ALL

8	NRC5593	BUSH	
9	500746	WASHER	
10	552818	BUSH	TO LA
10	RNF100090L	BUSH	MA ON
11	NRC6325	WASHER	
12	NTC4571	NUT	



**B
E
A
R
M
A
A
C
H**

Springs



FRONT

90		
1	NRC9446	DRIVER
1	NRC9447	PASSENGER
110		
1	NRC8044	DRIVER
1	NRC8045	PASSENGER
1	NRC9448	DRIVER H/DUTY
1	NRC9449	PASSENGER H/DUTY
130		
1	NRC9448	DRIVER
1	NRC9449	PASSENGER
ALL		
2	NRC6372	BRACKET
3	572087	RETENTION RING
4	WM600051L	SPRING WASHER
5	NH605041L	NUT
6	NRC9700	SEAT
7	SH110251L	SCREW
8	WM110001L	WASHER

REAR

90			
9	NRC9448	DRIVER	
9	NRC9449	PASSENGER	
9	RKB101230	DRIVER H/DUTY & 50 LE	
9	RKB101240	PASSENGER H/DUTY & 50 LE	
110 NON SELF LEVELLING			
9	NRC6389	DRIVER	TO WA159806
9	NRC6904	PASSENGER	TO WA159806
110 SELF LEVELLING			
9	NRC6388	DRIVER	TO WA159806
9	NRC7000	PASSENGER	TO WA159806
9	RKB101111	BOTH SIDES	FROM XA 159807
0	ANR3060	ISOLATOR	FROM XA 159807
ALL			
10	NRC4317	SEAT	
11	NRC4318	RETAINER	
12	SH110251L	BOLT	
12	FS110301L	BOLT	110 H/DUTY
13	WA110061L	WASHER	
13	WA110001L	WASHER	110 H/DUTY
14	WM110001L	SPRING WASHER	
15	RRC3266	SPRING - COIL HELPER	110/130 H/DUTY
16	RRC3352	RETAINER	110/130 H/DUTY
17	RRC3355	RETAINER	110/130 H/DUTY

BEARMAACH also offer Heavy Duty BLUE SPRINGS for the Land Rover range and are a popular upgrade to the standard items. Please see our Accessories Catalogue.

Manufacturers' part numbers are used for reference purposes only

Tel: +44 (0)29 20 856 550

QUICK REFERENCE

PAGE
38

PARTS SUITABLE FOR
LAND ROVER DEFENDER