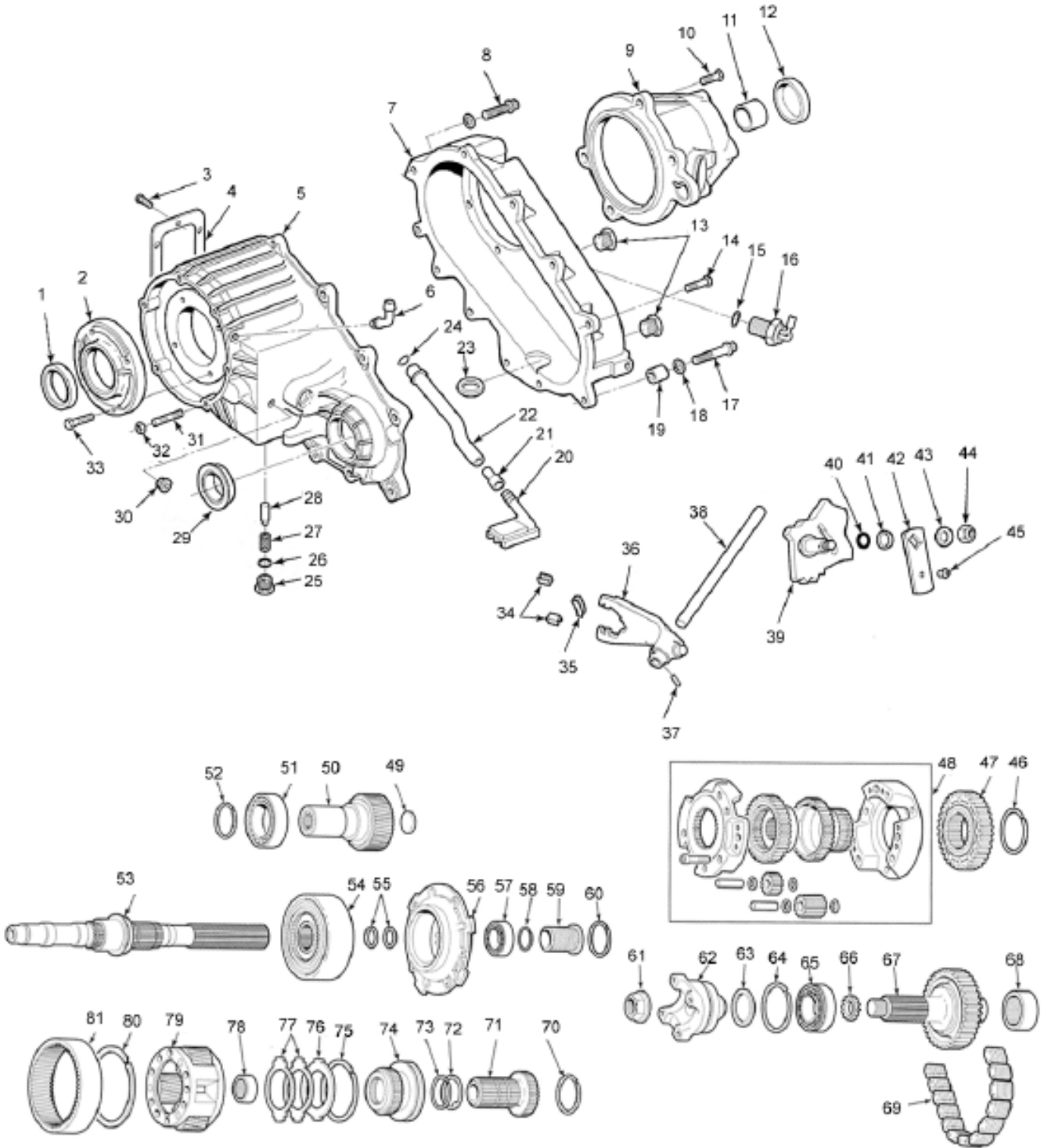


# NV247/249J JEEP GRAND CHEROKEE 1992-02



SOME OF THE PARTS LISTED IN THIS CATALOG ARE NOT MANUFACTURED BY THE ORIGINAL EQUIPMENT MANUFACTURER AND ANY REFERENCE TO TRADEMARKS ARE FOR CROSS REFERENCE PURPOSES ONLY. NO REPRESENTATION IS MADE WITH RESPECT TO THE SOURCE OF MANUFACTURE OF ANY PARTICULAR PART.

## NV247/249J

**NV247/  
249J**

**Call Toll Free 1-800-934-2727  
www.motivegear.com**

**Motive Gear®**  
4x4 Division of Midwest Truck  
And Auto Parts

**Motive Gear®**

ILL #	MIDWEST #	REF #	DESCRIPTION
1	3173	4167929	SEAL, INPUT
2	NV16187	4338972	INPUT RETAINER - 249, 1993-98
2	4864782		INPUT RETAINER - 247, 1999-UP
3			SCREW, P.T.O. COVER
4			COVER, P.T.O.
5	NV17238	4638881	CASE - FRONT HALF 1993
5	4796974		CASE - FRONT HALF 1994-95
5	4798124		CASE - FRONT HALF 1996-98
5	5012309AA		CASE - FRONT HALF 1999-2002
6	NV16090	4338957	VENT
7	NV16667	4638892	CASE - REAR HALF 1993-96, 1997-98 - I-6
7	4886206AA		CASE - REAR HALF 1997-98 - V8
7	5012323AA		CASE - REAR HALF 1999-02
8	NV61573	4210617	SCREW & CASE ASSY
9	NV17554	4728161	REAR EXTENSION 1993-98
9	5012332AA		REAR EXTENSION 1999-2002 - ALL, 01 - 2001 - V8, 2002
9	5066086AA		REAR EXTENSION 2001-2002 - I-6
10	6501371		SCREW, REAR RETAINER
11	16696		BUSHING, REAR RETAINER
12	4370N		SEAL, REAR OUTPUT
13	NV15054	4210606	PLUG, DRAIN/FILL
14	NV61573	4210617	SCREW, CASE FLANGE
15	4338956		O-RING
16	56006755		SWITCH
17	NV61575	4210614	SCREW & CASE ASSY DOWEL
18	NV15142	4210983	WASHER, DOWEL
19	NV13627	41166310	DOWEL, CASE ALIGNMENT
20	5012326AA		SCREEN, OIL PUMP 1999-02
20	NV16217	4338943	SCREEN, OIL PUMP
21	NV16218	4338944	CONNECTOR, OIL TUBE
22	NV16669	4638893	OIL TUBE
23	NV95422	3681601	MAGNET
24	NV16214	4338942	O-RING, OIL TUBE
25	NV16756	53008216	SCREW, POPPET
26	NV15715	4338956	SEAL, O-RING
27	NV17071	4638497	SPRING, PLUNGER
28	NV16754	53008217	PLUNGER, POPPET
29	3946	4762899	SEAL, FRONT OUTPUT
31	4167922		STUD, CASE MOUNTING
33	6500318		SCREW, INPUT RETAINER
34	4167969		FORK PADS, TIPS (2 REQ.) - CAN USE 15866
35	4167970		FORK PAD, CENTER - CAN USE 15866
36	5003459AA		RANGE FORK 1993-95
36	4798136		RANGE FORK 1996-UP
37	8133636	91386	PIN, FORK TO RAIL
38	NV16449	83504469	RAIL, FORK SHIFT
39	NV17243	4638889	SECTOR ASSY
40	NV13725	4167963	O-RING, SECTOR SHAFT
41	NV13726	4167964	RETAINER, O-RING
42	NV17253	4638906	LEVER & GROMMET
43	2436163		WASHER, LEVER
44	NV13992	152345	NUT, OPERATING LEVER
45	NV16566	53004810	GROMMET
46	NV13877	83503532	SNAP RING, SPROCKET RETAINING
47	NV17548	4728157	SPROCKET, DRIVE - 1-1/4" CHAIN, 1993-98
47	5012319AA		SPROCKET, DRIVE - 1" CHAIN, 1999-02
48	NV17509	4723917	DIFFERENTIAL ASSY 1993-98
48	5012315AA		DIFFERENTIAL ASSY 1999-UP
49			PLUG, INPUT
50	NV17108	4636792	SHAFT - INPUT, 1993 - 1ST DESIGN (BD50-8 BEARING)
50	4796972		SHAFT - INPUT, 1994-95 - I-6
50	4796976		SHAFT - INPUT, 1994-95 - V8
50	4798126		SHAFT - INPUT, 1996-UP, ALL (EXC. BELOW)
50	5012311AA		SHAFT - INPUT, 1999-UP - V8

SOME OF THE PARTS LISTED IN THIS CATALOG ARE NOT MANUFACTURED BY THE ORIGINAL EQUIPMENT MANUFACTURER AND ANY REFERENCE TO TRADEMARKS ARE FOR CROSS REFERENCE PURPOSES ONLY. NO REPRESENTATION IS MADE WITH RESPECT TO THE SOURCE OF MANUFACTURE OF ANY PARTICULAR PART.

## NV247/249J (Cont'd)

ILL #	MIDWEST #	REF #	DESCRIPTION
51	BD50-8		BEARING, INPUT TO 1994 - (WIDE)
51	110L		BEARING, INPUT 1995-UP (THIN)
52	853851	89331A	SNAP RING
53	4728155		MAINSHAFT, 1993-95
53	4798127		MAINSHAFT, 1996-98
53	5012313AA		MAINSHAFT, 1999-UP
54	4723918	4897221AA	VISCOUS COUPLING 1993-96 (249 T/C)
54	4897220AA		VISCOUS COUPLING 1997-98 - CAN USE 4723918 (249 T/C)
54	5012329AA		VISCOUS COUPLING 1999-UP (247 T/C)
55	4638895		SNAP RING
56	NV16686	4638896	OIL PUMP, 1993-98
56	5013017AB		OIL PUMP, 1999-UP
57	206L	4638899	BEARING, REAR OUTPUT
58	4467478		SNAP RING, M/S BEARING
59	4638900		SPEEDO GEAR TO 1998
60	4638905		SNAP RING
61	NV13368	4167924	NUT, YOKE - 1993-96
61	152345		NUT, YOKE - 1997-98
61	4167924		NUT, YOKE - 1999-02
N.I.	NV13695	4210973	WASHER, YOKE
62	4856142		YOKE, FRONT OUTPUT 1993-95
62	4798138		YOKE, FRONT OUTPUT 1996-98
62	5012308AA		YOKE, FRONT OUTPUT 1999-2000, 2001 - V6
62	5019514AA		YOKE, FRONT OUTPUT 2001 - V8
63			WASHER
64	853851		SNAP RING
65	207XLO	2466224	BEARING, FRONT OUTPUT
66	611689		SEAL, YOKE SPLINE
67	NV17555	4728158	SHAFT, FRONT OUTPUT - 1-1/4" CHAIN, 1993-98
67	5012321AA		SHAFT, FRONT OUTPUT - 1" CHAIN, 1999-02
68	SCE2416	4269189	NEEDLE BEARING, FRONT OUTPUT
68	4638899		NEEDLE BEARING, FRONT OUTPUT 1999-02
69	HV034	4728159	CHAIN - 249, 1-1/4" WIDE
69	HV071	5012322AB	CHAIN - 247, 1" WIDE
70	NV16297	83503537	SNAP RING, DIFF. GEAR
71	NV16659	4638888	SHAFT, INTERMEDIATE
72	NV16467	83503539	WASHER, CLUTCH SHAFT
73	NV16466	83503540	SNAP RING, INTERMEDIATE SHAFT
74	53006090		SLIDING CLUTCH, 1993-95
74	4798132		SLIDING CLUTCH, 1996-98
74	5012314AA		SLIDING CLUTCH, 1999-UP
75	NV16243	4338910	SNAP RING, CARRIER LOCK
76	NV16397	4338909	RING, CARRIER LOCK
77	NV17612	4338908	WASHER, INPUT THRUST
78	FC66561		NEEDLE BEARING, INPUT POCKET
79	NV16551	53006087	PLANETARY ASSY, 1993
79	4796903		PLANETARY ASSY, 1994-2001
79	4796903AB		PLANETARY ASSY, 2002-UP
80	NV13863	4219065	RETAINING RING, ANNULUS
81	83503122		ANNULUS GEAR

### KITS

T249R	BEARING, SEAL & GASKET KIT
T249RHD	BEARING, SEAL & GASKET KIT - HEAVY DUTY
T249RL	BEARING, SEAL & GASKET KIT - LATE
K249	BEARING, GASKET & SEAL KIT
K243	BEARING, GASKET & SEAL KIT
SP243-50	SMALL PARTS KIT

SOME OF THE PARTS LISTED IN THIS CATALOG ARE NOT MANUFACTURED BY THE ORIGINAL EQUIPMENT MANUFACTURER AND ANY REFERENCE TO TRADEMARKS ARE FOR CROSS REFERENCE PURPOSES ONLY. NO REPRESENTATION IS MADE WITH RESPECT TO THE SOURCE OF MANUFACTURE OF ANY PARTICULAR PART.