

06-4 .006  
06-4 .0042  
06-4

G067-0906720  
G067-0906840  
G104-1842710  
FM-GPW-11095  
FM-B-11379  
FM-GPW-11036-B  
WO-109437  
WO-A-1574  
WO-109455

WASHER, insulating, cranking motor terminal post, inner (AL-MU-39) (Notes 2 and 3)  
WASHER, lock, cranking motor Bendix drive spring screw (AL-EB-108) (Notes 2 and 3)  
WASHER, thrust, cranking motor armature, commutator end (fiber, 0.645 x 1 1/4 x 1/32) (AL-MU-54) (Notes 1 and 3)  
Willlys  
Ford

3320-26H-11055  
FM-26H-11055  
FM-GPW-11055  
FM-GPW-11056  
FM-GPA-18535  
FM-GPW-11056  
FM-26H-11055  
FM-GPW-11055  
FM-GPA-11084  
FM-GPW-11083  
FM-GPA-11085  
FM-GPA-11089  
FM-GPA-18376  
FM-GPA-18535  
FM-34141-S  
FM-355944-S5  
FM-GPW-11130  
FM-31596-S  
FM-27177-S7  
FM-355164-S  
FM-GPW-11053  
FM-B-11059  
FM-GPW-11036-B  
FM-34803-S7  
FM-34803-S  
FM-34806-S7  
FM-GPA-18319  
3320-GPA-18319  
FM-GPW-11107  
FM-GPA-11084  
FM-GPW-11083  
FM-GPA-11085

### 0602-1—CRANKING MOTOR (12 Volt)

(All parts NOT listed below are the same as used on MOTOR, FM-GPW-11001, and will be found in Group 0602) (Only for vehicles modified by MWO ORD G503-W7)  
BRUSH, cranking motor  
BRUSH, cranking motor  
BRUSH, grounded, cranking motor  
BRUSH SET, cranking motor (also in KIT, FM-GPA-18376)

(Consists of:

- 2 BRUSH, grounded
- 1 BRUSH
- 1 BRUSH)

COIL, field, cranking motor, assembly  
COIL, field, cranking motor upper, left, assembly  
COIL, field, cranking motor, upper, right, assembly  
INSULATION, cranking motor field coil  
KIT, repair, cranking motor

(Consists of:

- 1 BRUSH SET
- 1 NUT, cover band screw
- 2 NUT, terminal
- 1 PLATE, drive end
- 4 SCREW, commutator end plate
- 1 SCREW, cover band
- 4 SCREW, drive end housing
- 1 SPACER, thrust, bearing
- 4 SPRING, brush
- 1 WASHER, armature
- 4 WASHER, lock (No. 10)
- 4 WASHER, lock (No. 10)
- 2 WASHER, lock (3/16 in.)

KIT, repair, cranking motor field coil

(Consists of:

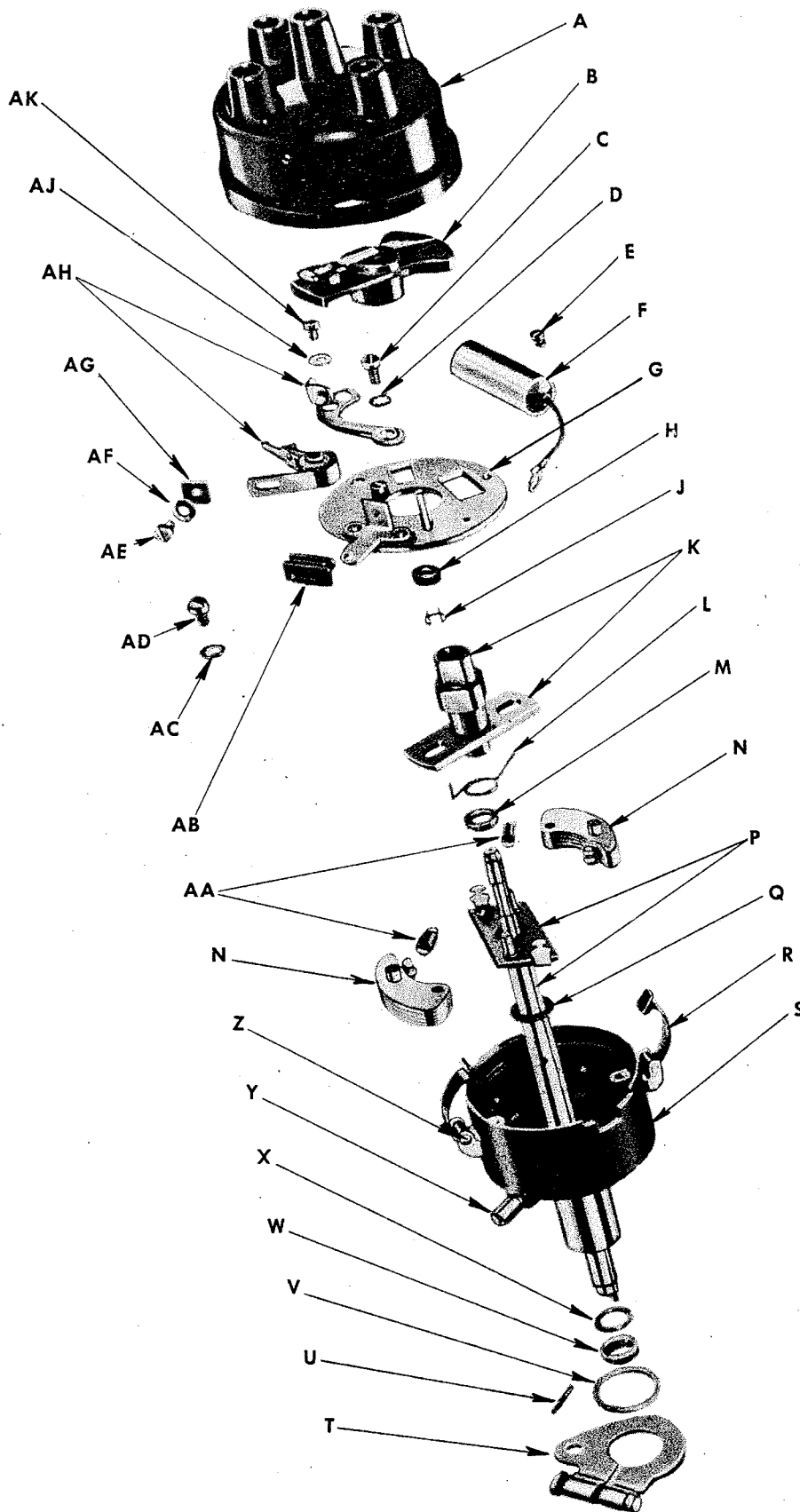
- 1 BUSHING, terminal post
- 2 COIL, field, lower
- 1 COIL, field, upper, left
- 1 COIL, field, upper, right

**GROUP 06—ELECTRICAL (Cont'd)**

Figure Number	Official Stock Number	Piece Mark or Part Number		ITEM	Quant. Reqd. per Unit Assy.	Unit Price
		Ford No.	Willlys No.			
Col. 1	Col. 2	Col. 3	Col. 4	Col. 5	Col. 6	Col. 7
				<b>0602-1—CRANKING MOTOR (12 Volt) (Cont'd)</b>		
				KIT, repair, cranking motor field coil (Cont'd)		
				2 CONNECTOR, field coil		
				1 INSULATION		
				2 NUT, terminal post		
				1 POST, terminal		
				4 SCREW, pole piece		
				1 TERMINAL, field		
				1 WASHER, flat		
				1 WASHER, insulation		
				1 WASHER, insulating		
				2 WASHER, lock		
				MOTOR, cranking, assembly (includes Bendix drive) (12 volt)	1	
	G503-0295823			BOLT, hex-hd., S., $\frac{3}{8}$ -16NC-2 x $1\frac{1}{4}$ (cranking motor to rear engine plate)	2	
				NUT, reg, hex., S., cd-pltd., $\frac{5}{16}$ -24NF-2	1	
				SCREW, cap, hex-hd., S., $\frac{5}{16}$ -24NF-2 x $\frac{5}{8}$ (support to cranking motor)	1	
				WASHER, lock, reg., S., cd-pltd., $\frac{5}{16}$ in.	1	
				WASHER, lock, reg., S., $\frac{3}{8}$ in.	2	
				WASHER, plain, S., cd-pltd., $\frac{5}{16}$ in.	1	
				<b>0603—DISTRIBUTOR (REGULAR TYPE)</b> (See also Group 0603-1)		
				ARM, advance control, distributor, assembly (AL-IGS-1080)	1	.0977
06-5, 6	2980-IGS-1080	FM-GPW-12155	WO-A-1674	ARM, breaker, distributor, assembly (AL-IGP-3028)	1	
06-6	G116-0400050	FM-GPW-12162	WO-A-1570	BASE, distributor, assembly (AL-IGS-2135)	1	1.63
06-5	2980-IGS-2135	FM-GPW-12139	WO-A-1679	BEARING, distributor, absorbent bronze (AL-IG-579-A) (Note 1)	2	
06-6	G104-1518120	FM-GPW-12082	WO-A-1681	CAP, distributor, assembly (AL-IG-1324-D)	1	1.075
06-5	G503-0131548	FM-GPW-12106	WO-A-1655	CLIP, distributor breaker arm spring (AL-IG-676) (Note 1)	1	
06-5, 6	G121-0137958	FM-GPW-12217	WO-A-1663	COLLAR, distributor drive shaft (AL-IGB-199)	1	.0652
06-5, 6	G154-0139853	FM-GPW-12195	WO-A-1659	RIVET, distributor drive shaft collar (AL-SW-213) (Note 1)	1	
06-5, 6	G121-0370109	FM-72867-S7	WO-A-1685	CONDENSER, distributor (AL-IGW-3139)	1	.261
06-5, 6	G067-0901889	FM-GPW-12300	WO-A-1631	SCREW, mach., fil.-hd., S., cd-pltd., No. 6 (0.138)-32NC-2 x $\frac{5}{8}$ (AL-8X-01546) (condenser mounting) (Note 1)	1	
06-5, 6		FM-31026-S7	WO-A-1670	SCREW, mach. fil.-hd., S., No. 10 (0.190)-32NF-2 x $\frac{1}{4}$ (condenser terminal)	1	
06-5		FM-31583-S	WO-A-1686	WASHER, lock, S., cd-pltd., No. 6 (0.138) (AL-X-1012) (Note 1)	1	
06-6	G116-1843059	FM-34801-S7	WO-A-1669	WASHER, lock, S., cd-pltd., No. 10 (0.190) (AL-X-196) (Note 1)	1	
06-5	H001-7075621	FM-34803-S7	WO-52221	CONTACT, breaker, distributor, assembly (AL-IGC-1149)	1	
06-6	G116-04000590	FM-GPW-12218	WO-A-1564			

Part No.	Part Description	Quantity	Weight
G067-3140085	COVER, distributor terminal slot (AL-IGC-117) (Note 1)	1	
G503-0152015	DISTRIBUTOR, assembly (AL-IGC-4705) (superseded by DISTRIBUTOR, assembly, FM-GPW-12100-B, WO-A-9075) (group 0603-1)	1	3.91
H001-1518007	BOLT, hex-hd., S., 1/4-20NC-2 x 1/2	1	
H001-1530007	WASHER, lock, reg., S., 1/4 in.	1	
	WASHER, plain, S., SAE, 1/4 in.	1	
	KIT, repair, distributor (use with Distributor, assembly, FM-GPW-12100, WO-A-1244 only)	1	.505
	(Consists of:		
	1 BEARING		
	1 CLIP, breaker arm spring		
	1 COVER, terminal slot		
	1 OILER		
	2 PIN, hinge		
	1 PLUG (AL-IGS-32)		
	1 RING, retaining, cam		
	1 RIVET, drive shaft collar		
	1 SCREW, condenser mounting		
	1 SCREW, stationary contact		
	2 SCREW		
	1 SCREW, breaker arm spring clip		
	2 SPRING, cap		
	2 WASHER, lock, condenser screw		
	3 WASHER, lock, condenser terminal		
	1 WASHER, spacer, cam spring		
	1 WASHER, breaker arm spring screw		
	1 WASHER, plain, stationary contact		
	1 WASHER, thrust, shaft upper		
	1 WASHER, thrust, shaft, lower		
	1 WICK		
01-3,	OILER, distributor shaft (press-in sleeve type) (AL-X-490) (Note 1)	1	
06-5,6			
	PLATE, breaker, distributor, assembly (AL-IGC-2148C) (includes CONDENSER and POINT SET)	1	1.303
	PLATE, breaker, distributor (AL-IGC-1148)	1	
	SCREW, mach., fl-hd., S., cd-pitd., No. 10 (0.190)-32NF x 5/16 (AL-SX-870) (Note 1)	3	
	WASHER, lock, S., cd-pitd., SAE std., No. 10 (0.190)	3	
	PLATE, distributor cam and stop (AL-IGC-1148)	1	.977
	PIN, distributor cap spring hinge (AL-X-1448) (Note 1)	2	
	PLUNGER, distributor contact spring (AL-IG-514)	1	.0111
	POINT SET, distributor (AL-1GP-3028FS)	as req.	.619
	(Consists of:		
	1 ARM, assembly		
	1 CONTACT		
	RING, retaining, distributor cam (AL-IG-680) (Note 1)	1	.0326
WO-A-1660			
WO-A-1244			
WO-51763			
WO-52706			
WO-52702			
WO-A-7843			
WO-A-1681			
WO-A-1663			
WO-A-1660			
WO-107128			
WO-A-1683			
WO-A-1653			
WO-A-1685			
WO-A-1670			
WO-A-1668			
WO-A-1636			
WO-A-1633			
WO-A-1682			
WO-A-1669			
WO-5168			
WO-A-1672			
WO-A-1667			
WO-A-1666			
WO-A-1673			
WO-106740			
WO-A-1671			
WO-107128			
WO-A-1662			
WO-A-1664			
WO-A-1636			
WO-52221			
WO-A-1661			
WO-A-1683			
WO-A-1656			
WO-A-1687			
WO-A-1570			
WO-A-1564			
WO-A-1653			
FM-GPW-12174			
FM-GPW-12100			
FM-24308-S			
FM-34805-S2			
FM-34745-S2			
FM-GPW-18343			
FM-GPW-12082			
FM-GPW-12217			
FM-GPW-12174			
FM-B-10141			
FM-GPW-12145			
FM-GPW-12177			
FM-7-867-S7			
FM-31026-S7			
FM-31027-S8			
FM-31588-S7			
FM-36787-S7			
FM-GPW-12144			
FM-34801-S7			
FM-34803-S7			
FM-GPW-12120			
FM-34701-S7			
FM-34702-S2			
FM-GPW-12182			
FM-GPW-12193			
FM-GPW-12133			
FM-B-10141			
G067-0903990			
G121-0340306			
FM-GPW-12151			
FM-GPW-12010			
FM-31588-S7			
G121-0340277			
H001-5112731			
H001-7025621			
G121-0340277			
G067-0904036			
G067-0904329			
G104-1783105			
FM-GPW-12162			
FM-GPW-12218			
FM-GPW-12177			
G167-0903749			

Note 1—Also in KIT, FM-GPW-18343, WO-A-7843.



RA PD 342269

FIGURE 06-5—DISTRIBUTOR ASSEMBLY (OPEN TYPE)—EXPLODED VIEW

Key	Part Name	Ford Part No.	Willys Part No.	Group No.
A	CAP, assembly	FM-GPW-12106	WO-A-1655	0603
B	ROTOR	FM-GPW-12200	WO-A-1658	0603
C	SCREW	FM-31588-S7	WO-A-1636	0603
D	WASHER	FM-34803-S7	WO-52221	0603
E	SCREW	FM-31026-S7	WO-A-1670	0603
F	CONDENSER, assembly	FM-GPW-12300	WO-A-1631	0603
G	PLATE	FM-GPW-12010	WO-A-1664	0603
H	WICK	FM-GPW-12133	WO-A-1671	0603
J	RING	FM-GPW-12177	WO-A-1653	0603
K	PLATE, assembly	FM-GPW-12176	WO-A-1661	0603
L	SPRING	FM-GPW-12191	WO-A-1684	0603
M	WASHER	FM-GPW-12120	WO-A-1672	0603
N	WEIGHT	FM-GPW-12188	WO-A-1676	0603
P	SHAFT	FM-GPW-12178	WO-A-1678	0603
Q	WASHER	FM-GPW-12182	WO-A-1673	0603
R	SPRING	FM-GPW-12144	WO-A-1682	0603
S	BASE, assembly	FM-GPW-12139	WO-A-1679	0603
T	ARM	FM-GPW-12155	WO-A-1674	0603
U	RIVET	FM-72867-S	WO-A-1685	0603
V	WASHER	FM-GPW-12267	WO-A-1654	0603
W	COLLAR	FM-GPW-12195	WO-A-1659	0603
X	WASHER	FM-GPW-12193	WO-106740	0603
Y	OILER	FM-B-10141	WO-107128	0603
Z	PIN	FM-GPW-12145	WO-A-1683	0603
AA	SPRING SET	FM-GPW-12084	WO-A-1677	0603
AB	COVER	FM-GPW-12174	WO-A-1660	0603
AC	WASHER	FM-34803-S7	WO-5168	0603
AD	SCREW	FM-31583-S7	WO-A-1686	0603
AE	SCREW	FM-36787-S7	WO-A-1633	0603
AF	WASHER	FM-34701-S7	WO-A-1667	0603
AG	CLIP	FM-GPW-12217	WO-A-1663	0603
AH	POINT SET	FM-GPW-18354	WO-A-1687	0603
AJ	WASHER	FM-34902-S2	WO-52754	0603
AK	SCREW	FM-31027-S8	WO-A-1668	0603

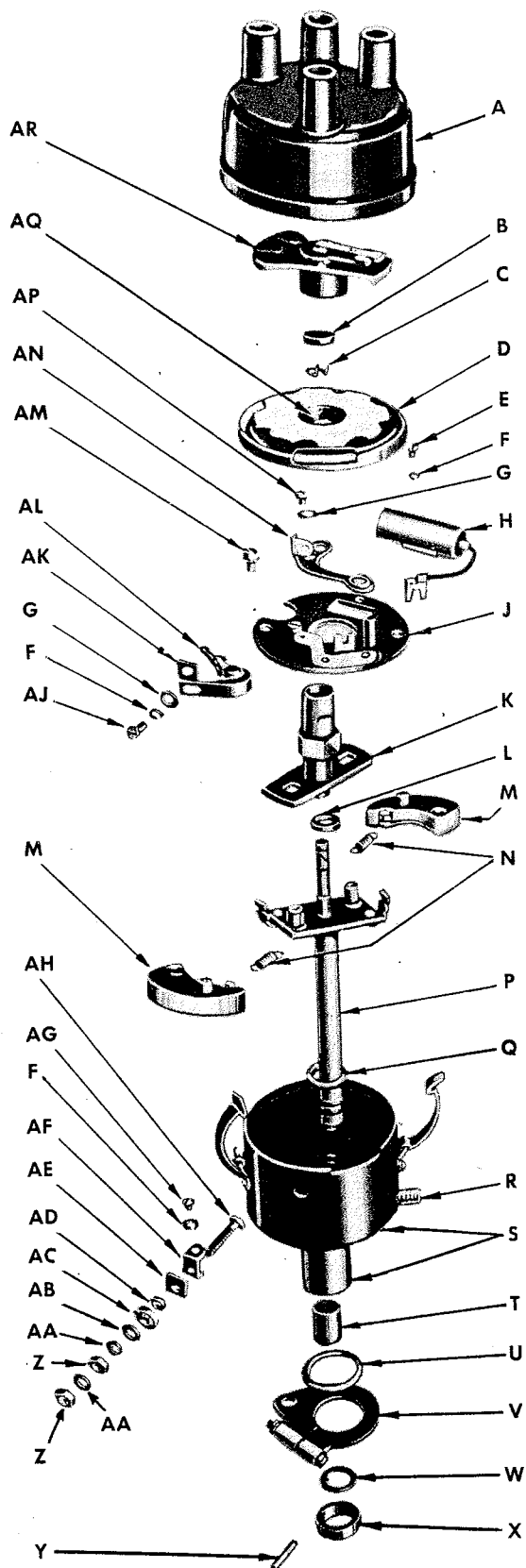
RA PD 342269A

**FIGURE 06-5A—LEGEND FOR 06-5—DISTRIBUTOR ASSEMBLY (OPEN TYPE)—EXPLODED VIEW**

**GROUP 06—ELECTRICAL (Cont'd)**

Figure Number	Official Stock Number	Piece Mark or Part Number		ITEM	Quant. Req'd. per Unit Assy.	Unit Price
		Ford No.	Willys No.			
Col. 1	Col. 2	Col. 3	Col. 4	Col. 5	Col. 6	Col. 7
<b>0603—DISTRIBUTOR (REGULAR TYPE) (Cont'd)</b> (See also Group 0603-1)						
06-5, 6	G503-0373638	FM-GPW-12200	WO-A-1658	ROTOR, distributor (AL-IG-1657R)	1	.293
06-5, 6	H001-5125801	FM-31027-S8	WO-A-1668	SCREW, distributor breaker contact (oval-fil-hd., S., zn-pltd., No. 8 (0.164)-32NC x 3/16) (AL-8X-884) (Note 1)	1	
06-5, 6	G116-1782009	FM-36787-S7	WO-A-1633	SCREW, distributor breaker arm (hex-hd., S., cd-pltd., slotted, No. 6 (0.138)-32NC x 5/16) (AL-ICG-175) (Note 1)	1	
06-5	2980-IGS-1134L	FM-GPW-12178	WO-A-1678	SHAFT, drive, distributor, assembly (AL-IGS-1134L)	1	
06-5	2980-IGS-2134L	FM-GPW-12175	WO-A-1675	SHAFT, drive, distributor, w/GOVERNOR, assembly (AL-IGS-2134L)	1	1.14
06-5	2980-IGT-69	FM-GPW-12191	WO-A-1684	SPRING, distributor, antirattle (AL-IGT-69)	1	.0652
06-5	G121-0389891	FM-GPW-12169	WO-A-1587	SPRING, distributor breaker arm (AL-IGP-30)	1	
06-5	G121-0389890	FM-GPW-12144	WO-A-1682	SPRING, distributor cap (AL-IG-694) (Note 1)	2	
06-5, 6	G067-0905419	FM-GPW-12012	WO-A-1657	SPRING, distributor contact (AL-IG-515)	1	.0065
01-3	2980-IGB-202S	FM-GPW-12083	WO-637615	SPRING, friction, distributor shaft	1	.0029
06-5	H001-7043561	FM-GPW-12084	WO-A-1677	SPRING SET, distributor governor weight (AL-IGB-202S) (consists of two springs)	1	.13
06-5	H001-1519006	FM-34701-S7	WO-A-1667	WASHER, distributor breaker arm screw (plain, S., cd-pltd., USS., No. 6 (0.138)) (AL-8X-353) (Note 1)	1	
06-5, 6	G067-0906491	FM-34902-S	WO-52754	WASHER, lock distributor breaker contact screw (S., internal tooth, flat type No. 8 (0.164))	1	
06-5, 6	G116-1843100	FM-GPW-12120	WO-A-1672	WASHER, spacer, distributor cam spring (AL-IGS-99) (Note 1)	1	.013
06-5, 6	G067-3442601	FM-GPW-12267	WO-A-1654	WASHER, thrust, distributor advance arm (AL-IG-816C)	1	.0065
06-5, 6	G067-0906960	FM-GPW-12193	WO-106740	WASHER, thrust, distributor drive shaft, lower (AL-IG-90) (Note 1)	1	
06-5	G116-1845184	FM-GPW-12182	WO-A-1673	WASHER, thrust, distributor shaft, upper (AL-IGS-104) (Note 1)	1	
06-5, 6	G121-0447500	FM-GPW-12188	WO-A-1676	WEIGHT, distributor governor, assembly (AL-IG-2456)	2	.163
06-5, 6		FM-GPW-12133	WO-A-1671	WICK, oiling, distributor cam (felt) (AL-IGH-28) (Note 1)	1	
<b>0603-1—DISTRIBUTOR (DUSTPROOF TYPE)</b>						
NOTE: The following parts apply to FM-GPW-12100-B, WO-A-9075, AL-IAD-4008 DISTRIBUTOR. For the component parts of FM-GPW-12100, WO-A-1244, AL-IGC-4705 DISTRIBUTOR see GROUP 0603. All parts not listed below are the same on both distributors.						
06-6		FM-GPW-12139-B	WO-A-9313	BASE, dustproof distributor, assembly (AL-IAD-2001)	1	
06-6		FM-GPW-12167	WO-A-10278	BUSHING, dustproof distributor terminal post (AL-IAD-10)	1	
06-6	G503-0131548	FM-GPW-12106-B	WO-A-9307	CAP, dustproof distributor, assembly (AL-IG-1324-D)	1	
06-6		FM-GPW-12165	WO-A-10276	CONNECTOR, dustproof distributor terminal post assembly (AL-IAD-7)	1	

Note 1—Also in KIT, FM-GPW-18343, WO-A-7843.



Key	Part Name	Ford Part No.	Willys Part No.	Group No.
A	CAP, assembly	FM-GPW-12106-B	WO-A-9307	0603-1
B	WICK	FM-GPW-12133	WO-A-1671	0603
C	RING	FM-GPW-12177	WO-A-1653	0603
D	SEAL	FM-GPW-12094	WO-A-9316	0603-1
E	SCREW	FM-31026-S7	WO-A-1670	0603
F	WASHER	FM-34801-S7	WO-A-1669	0603
G	WASHER	FM-34701-S7	WO-A-1667	0603
H	CONDENSER	FM-GPW-12300	WO-A-1631	0603
J	PLATE, assembly	FM-GPW-12010-B	WO-A-9309	0603-1
K	PLATE	FM-GPW-12176-B	WO-A-9308	0603-1
L	WASHER	FM-GPW-12120	WO-A-1672	0603
M	WEIGHT	FM-GPW-12188-B	WO-A-9314	0603-1
N	SPRING SET	FM-GPW-12084-B	WO-A-10047	0603-1
P	SHAFT	FM-GPW-12178-B	WO-A-9312	0603-1
Q	WASHER	FM-GPW-12182	WO-A-1673	0603
R	OILER	FM-B-10141	WO-107128	0603
S	BASE, assembly	FM-GPW-12139-B	WO-A-9313	0603-1
T	BEARING	FM-GPW-12082	WO-A-1681	0603
U	WASHER	FM-GPW-12267	WO-A-1654	0603
V	ARM	FM-GPW-12155	WO-A-1674	0603
W	WASHER	FM-GPW-12193	WO-106740	0603
X	COLLAR	FM-GPW-12195	WO-A-1659	0603
Y	RIVET	FM-72867-S	WO-A-1685	0603
Z	NUT	FM-34079-S7	WO-A-5260	0603
AA	WASHER	FM-34803-S7	WO-5168	0603-1
AB	WASHER	FM-34703-S7	WO-A-5262	0603-1
AC	WASHER	FM-GPW-12157	WO-A-10280	0603-1
AD	BUSHING	FM-GPW-12167	WO-A-10278	0603-1
AE	INSULATION	FM-GPW-12166	WO-A-10277	0603-1
AF	CONNECTOR	FM-GPW-12165	WO-A-10276	0603-1
AG	SCREW	FM-26451-S7	WO-A-9315	0603-1
AH	POST	FM-GPW-12163	WO-A-10279	0603-1
AJ	SCREW	FM-36787-S7	WO-A-1633	0603
AK	CLIP	FM-GPW-12217	WO-A-1663	0603
AL	ARM, assembly	FM-GPW-12162	WO-A-1570	0603
AM	SCREW	FM-350110-S7	WO-A-9318	0603-1
AN	CONTACT	FM-GPW-12218	WO-A-1564	0603
AP	SCREW	FM-31027-S8	WO-A-1668	0603
AQ	WASHER	FM-GPW-12095	WO-A-9317	0603-1
AR	ROTOR	FM-GPW-12200	WO-A-1658	0603

RA PD 342270

FIGURE 06-6—DISTRIBUTOR ASSEMBLY (DUSTPROOF TYPE)—EXPLODED VIEW

**GROUP 06—ELECTRICAL (Cont'd)**

Figure Number	Official Stock Number	Piece Mark or Part Number		ITEM	Reqd. per Unit Assy.	Unit Price
		Ford No.	Willlys No.			
Col. 1	Col. 2	Col. 3	Col. 4	Col. 5	Col. 6	Col. 7
01-2, 3 06-6	2980-IAD-4008 2980-KIT-121	FM-GPW-12100-B FM-GPW-12166 FM-GPW-18343-B	WO-A-9075 WO-A-10277 WO-A-15098	<b>0603-1—DISTRIBUTOR (DUSTPROOF TYPE) (Cont'd)</b>  DISTRIBUTOR, dustproof, assembly (AL-IAD-4008) INSULATION, dustproof distributor terminal post (AL-IAD-8) KIT, repair, dustproof distributor (AL-KIT-121) (Consists of: 2 BEARING, shaft 1 BUSHING, terminal post 1 CLIP, breaker arm spring 1 CONNECTOR, terminal post 1 INSULATION, terminal post, inner 1 NUT, terminal post 1 POST, terminal 1 RING, retainer, cam 1 RIVET, drive shaft collar 1 SCREW, breaker arm spring clip (hex-hd., S, slotted No. 6 (0.138)-32NC- $\frac{5}{16}$ ) 2 SCREW, holding, breaker plate 1 SCREW, locking, stationary contact 1 SCREW, mounting, condenser 1 WASHER, breaker arm spring screw 1 WASHER, spacer, cam spring 2 WASHER, condenser screw 1 WASHER, contact lock adjusting screw 1 WASHER, insulating, terminal post 2 WASHER, lock, condenser terminal screw 1 WASHER, terminal post (plain) 1 WASHER, thrust, shaft, lower 1 WASHER, thrust, shaft, upper 1 WICK, washer, cam sleeve (felt) PLATE, breaker, dustproof distributor, assembly (AL-IAD-2004) (Includes: breaker plate, arm, clip, condenser, and attaching parts) SCREW, mach, fil-hd., S, cd-plt'd., No. 10 (0.190)-32NC-2 x $\frac{5}{8}$ (AL-X-2878) PLATE, breaker, dustproof distributor (AL-IAD-1004) PLATE, dustproof distributor cam and stop (AL-IAD-1100-LB-1) POST, terminal, dustproof distributor base, assembly (AL-IGL-8) NUT, mach. screw, hex., S, cd-plt'd., No. 10 (0.190)-32NF-2 WASHER, lock, reg., S, cd-plt'd., No. 10 (0.190) WASHER, plain, S, cd-plt'd., No. 10 (0.190)	1 1 1	
06-6	2980-IAD-2004	FM-GPW-12010-B	WO-A-9309		1	
06-6		FM-350110-S7	WO-A-9318		2	
06-6		FM-GPW-12176-B	WO-A-9310		1	
06-6	G104-1742400	FM-GPW-12163	WO-A-9308		1	
06-6		FM-34079-S7	WO-A-10279		1	
06-6	H001-7025621	FM-34803-S7	WO-A-5260		1	
06-6		FM-34703-S7	WO-A-5168		1	
06-6		FM-34801-S7	WO-A-1671		1	
06-6		FM-34702-S2	WO-A-1666		1	
06-6		FM-GPW-12157	WO-A-10280		1	
06-6		FM-34803-S7	WO-5168		2	
06-6		FM-34703-S7	WO-A-5262		1	
06-6		FM-GPW-12193	WO-106740		1	
06-6		FM-GPW-12182	WO-A-1673		1	
06-6		FM-GPW-12133	WO-A-1671		1	
06-6		FM-GPW-12010-B	WO-A-9309		1	



06-6	FM-26451-S7	WO-A-9315	SCREW, dustproof distributor terminal post connector	1
06-6	FM-GPW-12094	WO-A-9316	SEAL, dustproof distributor breaker plate (AL-IAD-2015)	1
06-6	FM-GPW-12178-B	WO-A-9312	SHAFT, drive, dustproof distributor (AL-IGS-1134-LA)	1
06-6	FM-GPW-12175-B	WO-A-9311	SHAFT, drive, dustproof distributor, w/GOVERNOR, assembly (AL-IGS-2134-LA)	1
06-6	FM-GPW-12084-B	WO-A-10047	SPRING SET, dustproof distributor governor weight (AL-IGB-350-S)	1
06-6	FM-GPW-12095	WO-A-9317	WASHER, dustproof distributor plate (AL-IAD-12)	1
06-6	FM-GPW-12157	WO-A-10280	WASHER, insulating, dustproof distributor terminal post (AL-IGL-9)	1
06-6	FM-GPW-12188-B	WO-A-9314	WEIGHT, governor, dustproof distributor, assembly (AL-IGC-2168-L)	1
<b>0604—IGNITION COIL</b>				
	FM-GPW-12030	WO-A-1526	BRACKET, ignition coil (AL-IC-17980D)	1
	FM-33796-S2	WO-5914	NUT, reg., hex., S, 1/4-28NF-2	2
	FM-357689-S7	WO-635886	STUD, S, cd-pltd., 1/4-20NC x 1 x 1/4-28NF-2	2
	FM-GPW-12064	WO-631105	WASHER, plain, S, black enameled, 5/8 in.	2
	FM-351274-S7	WO-53024	WASHER, lock, S, cd-pltd., internal-external tooth, 1/4 in. (GM-174916)	4
	FM-34745-S2	WO-52702	WASHER, plain, S, SAE., 1/4 in.	2
	FM-GPA-12000	WO-A-1424	COIL, ignition, 12V. (Note 1)	1
	FM-GPW-12000	WO-A-1424	COIL, ignition, w/BRACKET and WASHER, assembly	1
01-2, 3	FM-GPW-12000-B	WO-A-7792	COIL, ignition, w/BRACKET and WASHER, assembly (coil does not have bottom ground connection) (AL-IG-4070L)	1
<b>0604A—IGNITION WIRING</b>				
	FM-GPW-12091-A	WO-301435	BUSHING, spark plug cable support (rubber, 1/16 in. hole)	1
	FM-GPW-14321	WO-A-5083	CABLE, coil primary (low tension) (Note 2)	1
06-12	FM-GPW-12298-B	WO-A-1420	CABLE, coil secondary (high tension) (Note 2)	1
	FM-GPW-12287	WO-A-1412	CABLE, spark plug, No. 1 (Note 2)	1
06-12	FM-GPW-12284	WO-A-1414	CABLE, spark plug, No. 2 (Note 2)	1
06-12	FM-GPW-12283	WO-A-1416	CABLE, spark plug, No. 3 (Note 2)	1
	FM-GPW-12286	WO-A-1418	CABLE, spark plug No. 4	1
	FM-GPW-18364	WO-A-6757	KIT, repair, ignition wiring (superseded by KIT, FM-GPW-18364-B, WO-A-7844)	1
(Consists of:				
	FM-GPW-12287	WO-A-1412	1 CABLE, spark plug No. 1	
	FM-GPW-12284	WO-A-1414	1 CABLE, spark plug No. 2	
	FM-GPW-12283	WO-A-1416	1 CABLE, spark plug No. 3	
	FM-GPW-12286	WO-A-1418	1 CABLE, spark plug No. 4	
	FM-GPW-12298-B	WO-A-1420	1 CABLE, coil, secondary	
	FM-GPW-18364-B	WO-A-7844	KIT, repair, ignition wiring (supersedes KIT, FM-GPW-18364, WO-A-6757)	1
(Consists of:				
	FM-GPW-12287	WO-A-1412	1 CABLE, No. 1	
	FM-GPW-12284	WO-A-1414	1 CABLE, No. 2	
	FM-GPW-12283	WO-A-1416	1 CABLE, No. 3	
	FM-GPW-12286	WO-A-1418	1 CABLE, No. 4	
	FM-GPW-14321	WO-A-5083	1 CABLE, coil, primary	
	FM-GPW-12298-B	WO-A-1420	1 CABLE, coil, secondary	

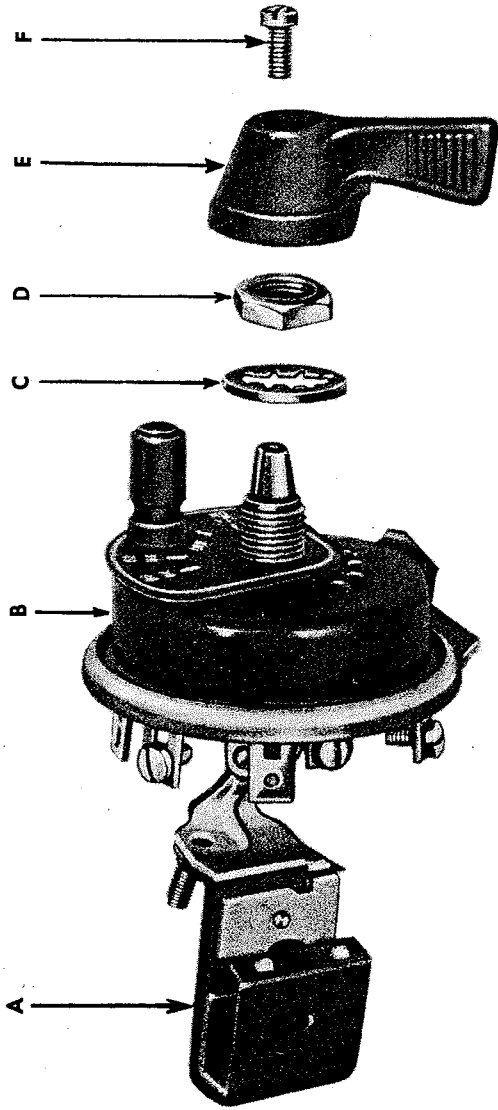
Note 1—Only for vehicles modified by MWO ORD G503-W7 (see page 3). Note 2—Also in KIT, FM-GPW-18364-B, WO-A-7844.

GROUP 06—ELECTRICAL (Cont'd)

Figure Number	Official Stock Number	Piece Mark or Part Number		ITEM	Quant. Reqd. per Unit Assy.	Unit Price
		Ford No.	Willlys No.			
Col. 1	Col. 2	Col. 3	Col. 4	Col. 5	Col. 6	Col. 7
				<b>0604A—IGNITION WIRING (Cont'd)</b>		
			WO-327257	SEAL, weather, spark plug cables, distributor end (rubber) (superseded by SEAL, FM-9N-12113-A, WO-393594)	5	.0217
	3320-9N-12113-A	FM-9N-12113-A	WO-393594	SEAL, weather, spark plug cables, distributor end (supersedes SEAL, WO-327257)	5	.0042
		FM-B-14463	WO-307556	TERMINAL, coil primary cable	2	.0065
	G067-0906045	FM-GPW-12006	WO-A-1652	TERMINAL, spark plug cables, high tension (AL-IG-94)	5	
	G166-0398794	FM-B-14466	WO-314369	TERMINAL, spark plug cables and coil secondary cable	5	
				<b>0604B—SPARK PLUGS</b>		
			WO-A-1096	CAP, spark plug insulator	4	
	9150-2066C-C1	FM-11A-12425	WO-637863	GASKET, spark plug (VC-2066C-C1) (MDR-AM-504K) (also in GASKET SET, FM-GPW-18387, WO-A-1537)	4	
	G503-0340680	FM-GPW-12405	WO-A-538	PLUG, spark, w/GASKET, assembly (14MM) (AL type-AN-7) <i>AL type-AN-7</i>	4	.293
				<b>0604C—IGNITION LOCK</b>		
			WO-A-6814	HANDLE, ignition switch	1	
			WO-A-2518	KEY, ignition switch	1	
			WO-A-6813	NUT, mounting, ignition switch (DM-53170A)	1	
			WO-52131	SCREW, ignition switch terminal (mach., rd-hd., S., cd-pltd., No. 8 (0.164)-32NC-2 x 1/4)	2	
	2760-5941	FM-GPW-3685-B	WO-A-2517	SWITCH, ignition, key type, assembly	1	
18-1	G671-5636599	FM-GPW-3686-B	WO-A-6811	SWITCH, ignition, keyless type, assembly (DM-6282)	1	.538
	G518-7000186	FM-356229-S7	WO-A-1350	WASHER, lock, internal tooth, S., cd-pltd., No. 8 (0.164) (ignition switch terminal) (DM-51104)	1	.0026
				<b>0605—INSTRUMENTS</b>		
			WO-A-5231	AMMETER, 50 amp, assembly (AL-10075-A) (superseded by AMMETER, FM-GPW-10850-B, WO-A-8186)	1	2.04
	G116-0400021	FM-GPW-10850	WO-A-8186	AMMETER, 50 amp. (AL-10311A) (supersedes AMMETER, FM-GPW-10850, WO-A-5236)	1	
	2980-10-311A	FM-GPW-10850-B	WO-5848	NUT, mach. screw, hex, S., No. 10 (0.190)-32NF (AL-8170) (Willys only)	4	
18-1			WO-A-8129	WASHER, lock, S., No. 10 (0.190) (AL-2229) (Willys only)	2	
			WO-A-8130	BRACKET, mounting, ammeter (AL-9288-A) (Willys only)	1	
			WO-A-8132	BRACKET, mounting, fuel gage (AL-10063) (Willys only)	1	

18-1	G116-0400771	WO-A-8131	BRACKET, mounting, oil pressure gage and heat indicator (AL-21608) (Willlys only)	2
	G503-0194062	WO-A-1268	GAGE, fuel, assembly (AL-9799-A) (superseded by GAGE, FM-GPW-9280, WO-A-8184)	1
	G121-0194050	WO-A-8184	GAGE, fuel (AL-10313-A) (supersedes GAGE, WO-A-1268)	1
	G121-0194050	WO-A-1269	GAGE, fuel, assembly (Note 1)	1
18-1	G121-0194050	WO-A-8190	GAGE, oil pressure, assembly (AL-1017-1) (superseded by GAGE, FM-GPW-9273, WO-A-8190)	1
	G503-0232469	WO-A-6336	GAGE, oil pressure, assembly (AL-10310-A) (supersedes GAGE, WO-A-1269)	1
	G503-0232469	WO-A-8129	NUT, mach., screw, hex., S., No. 10 (0.190)-32NPF (AL-2235) (Willlys only)	4
	G503-0232469	WO-A-1270	WASHER, lock, S., No. 10 (0.190) (AL-2229) (Willlys only)	2
18-1	G503-0232469	WO-A-8188	GROMMET, heat indicator tube through dash (rubber, 3/8 in.)	1
	G503-0232469	WO-A-8188	INDICATOR, heat, assembly (AL-10014-A) (superseded by INDICATOR, FM-GPW-10883, WO-A-8188)	1
	G503-0232469	WO-A-8188	INDICATOR, heat, assembly (Motor Meter) (AL-10312) (supersedes INDICATOR, WO-A-1270)	1
<b>0605C—PANEL LIGHT</b>				
06-7	H004-0501303	WO-A-1748	ADAPTER, instrument panel light (DM-29392)	2
06-7	H004-0504780	WO-A-1334	SHIELD, instrument panel light, assembly	2
06-7	3320-GPW-13710	WO-A-1411	SOCKET, instrument panel light, w/CABLE, assembly (includes two SOCKETS)	1
<b>0606—SWITCHES</b>				
06-7	3320-GPWS-18935	WO-A-1347	CONDENSER, cranking motor switch and regulator terminal (Note 1)	2
06-7	G503-7036865	WO-A-11868	CONTROL, lockout, lighting switch, assembly (DM-5943)	1
	G503-7036866	WO-A-11870	HANDLE, lighting and blackout driving rotary switch (DM-53875-A)	1
	G503-7088755	WO-A-6152	SCREW, mach. (S., cd-pltd., special, fil-hd., No. 8 (0.164)-32NFC-2 x 3/8 (DM-53895))	1
	G518-7000186	WO-A-1565	KNOB, blackout driving lamp switch, w/set SCREW, assembly	1
	G503-0393790	WO-A-5197	KNOB, lighting switch, w/set SCREW, assembly (DM-5944)	1
		WO-A-1350	KNOT, instrument panel light switch, w/set SCREW, assembly (DM-5999)	1
		WO-A-6149	NUT, starting switch terminal (hex., S., cop-pltd., thin, 3/16-24NFC-2)	2
		WO-A-1351	PLATE, escutcheon, rotary lighting switch	1
		WO-A-1353	SCREW, lighting switch terminal (mach., fil-hd., S., cd-pltd., No. 8 (0.164)-32NFC x 5/16)	7
		WO-A-12056	SWITCH, blackout driving light, assembly (DM-398) (includes: KNOB, w/set SCREW and attaching parts)	7
		WO-638979	SWITCH, blackout driving light, assembly (Willlys only, after serial 163750)	1
		WO-51492	NUT, hex., S., 3/8-24NFC-2 (DM-53414)	1
		WO-52706	WASHER, lock, shakeproof, 3/8 in. (DM-52947)	1
			SWITCH, dimmer, headlight, foot, assembly (has closed type terminals)	1
			SWITCH, dimmer, headlight, foot, assembly (CL-9654) (has push-in type terminals)	1
			SCREW, mach., rd-hd., S., cd-pltd., 1/4-20NFC-2 x 1/2	3
			WASHER, lock, reg., S., 1/4 in. (GM-103319)	3

Note 1—Only for vehicles modified by MWO ORD G503-W7. (see page 3).



Key	Part Name	Ford Part No.	Willlys Part No.	Group No.
A	BREAKER	FM-GPW-12250-C	WO-A-1349	0606D
B	SWITCH, assembly	FM-G8T-11649	WO-A-11866	0606
C	WASHER	FM-34922-S	WO-636528	0606
D	NUT	FM-356036-S8	WO-A-11871	0606
E	HANDLE	FM-G8T-11661	WO-A-11868	0606
F	SCREW	FM-31045-S7	WO-A-11870	0606

RA PD 342276

FIGURE 06-7—LIGHTING SWITCH (ROTARY TYPE)

GROUP 06—ELECTRICAL (Cont'd)

Figure Number	Official Stock Number	Piece Mark or Part Number		ITEM	Quant. Reqd. per Unit Assy.	Unit Price
		Ford No.	Willlys No.			
Col. 1	Col. 2	Col. 3	Col. 4	Col. 5	Col. 6	Col. 7
18-1	G116-1793792 H001-5147511	FM-GPW-13740 FM-26456-S7 FM-356229-S7	WO-A-1333 WO-A-1353 WO-52131 WO-A-1350	0606—SWITCHES (Cont'd)	1 1 2 2	.293   .0026
				SWITCH, instrument panel light (DM-5995) NUT, mounting, hex., S., 3/8-24NF-2 (DM-53414) (Willys only) SCREW, mach., rd-hd., S., cd-pltd., No. 8 (0.164)-32NC-2 x 1/4 WASHER, lock, keyed, internal tooth, S., cd-pltd., No. 8 (0.164)		

H004-0506605	WO-52332	WASHER, lock, reg., S., 3/8 in. (DM-52947) (Willys only)	1
G503-0393789	WO-A-1345	SWITCH, lighting (DM-5969) (superseded by SWITCH, FM-GPW-11649, WO-A-1332)	1
	WO-A-1332	SWITCH, lighting assembly (DM-5970) (includes: circuit BREAKER, lockout CONTROL KNOB, w/set SCREW and attaching parts) (supersedes SWITCH, WO-A-1345)	1
06-7, 12, 18-1	WO-A-11867	SWITCH, lighting and blackout driving light, rotary type (DM-6203)	1
06-7	WO-A-11866	SWITCH, lighting and blackout driving light, rotary type, w/circuit BREAKER, assembly (DM-6244)	1
06-7	WO-A-11871	NUT, thin, hex, S., zn-pltd., 1/2-20NF-2 (DM-53879)	1
	WO-636528	WASHER, lock, S., internal tooth, flat type, 1/2 in.	1
	WO-A-6181	SWITCH, starting (superseded by SWITCH, FM-9N-11450-A, WO-A-7225)	1
18-1	WO-A-7225	SWITCH, starting (AL-SW-4015) (superseded by SWITCH, FM-GPW-11450, WO-A-17143)	1
	WO-A-17143	SWITCH, starting (supersedes SWITCH, FM-9N-11450-A, WO-A-7225)	1
	WO-51732	BOLT, hex-hd., S., cd-pltd., 1/4-28NF-2 x 1/2	2
	WO-5914	NUT, reg., hex, S., 1/4-28NF-2 (GM-103024)	2
	WO-52031	WASHER, lock, reg., S., 1/4 in. (GM-103319)	2
12-4	WO-A-1271	SWITCH, stop light	1
<b>0606B—CHASSIS WIRING</b>			
	WO-A-1653	CABLE, blackout driving light connector to switch (black and white tracings) (after Willys serial No. 163750)	1
	WO-A-5078	CABLE, filter, battery to starting switch (also in KIT, FM-GPW-18361-B, WO-A-7845)	1
	WO-A-5079	CABLE, filter, coil primary to function block (also available as part of KIT, FM-GPW-18361-B, WO-A-7845)	1
	WO-A-5073	CABLE, filter, regulator to junction block (also available as part of KIT, FM-GPW-18361-B, WO-A-7845)	1
	WO-A-5080	CABLE, fuel gage to circuit breaker (also available as part of KIT, FM-GPW-18361-B, WO-A-7845)	1
	WO-A-5041	CABLE, generator regulator to generator ("G" cable bond No. 6)	1
	WO-A-5082	CABLE, generator regulator to junction box (also in KIT, FM-GPW-18361-B, WO-A-7845)	1
	WO-A-5072	CABLE, ignition switch to ammeter to blackout switch (also in KIT, FM-GPW-18361-B, WO-A-7845)	1
	WO-A-5070	CABLE, instrument panel fuel gage to fuel tank unit (also in KIT, FM-GPW-18361-B, WO-A-7845)	1
	WO-A-5598	CLIP, open 1/4 in., 7/8 in. bolt hole	8
	WO-A-5449	CLIP, open, 3/8 in., 7/8 in. bolt hole	13
	WO-6352	NUT, mach. screw, hex, S., cd-pltd., No. 10 (0.190)-24NC-2 (GM-110633)	11
	WO-5064	SCREW, machine, rd-hd., S., No. 10 (0.190)-24NC-2 x 5/8	11
	WO-52889	SCREW, sheet metal, No. 10 (0.190) x 5/8 (to body floor)	1
	WO-5580	SCREW, wood, rd-hd., S., No. 10 (0.190) x 5/8 (to floor)	1
	WO-52221	WASHER, lock, S., cd-pltd., No. 10 (0.190) (GM-120217)	11
	WO-A-5450	CLIP, S., open, 7/8 in., 1/2 in. bolt hole	6
	WO-6352	NUT, mach. screw, hex., S., cd-pltd., No. 10 (0.190)-24NC-2 (GM-110633)	6
	WO-5064	SCREW, machine, rd-hd., S., No. 10 (0.190)-24NC-2 x 5/8	6
	WO-52221	WASHER, lock, reg., S., cd-pltd., No. 10 (0.190) (GM-120217)	6

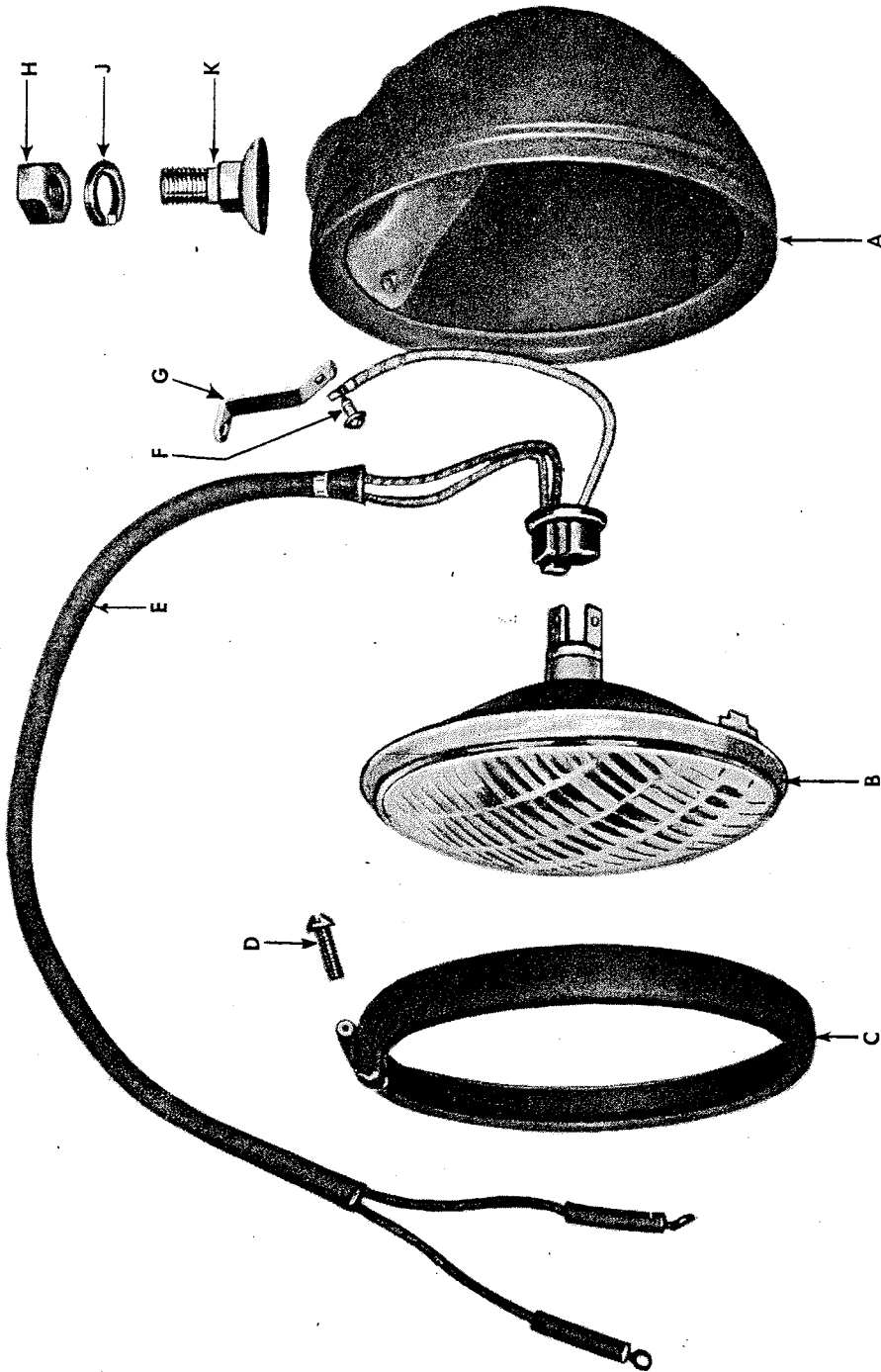
GROUP 06—ELECTRICAL (Cont'd)

Figure Number	Official Stock Number	Piece Mark or Part Number		ITEM	Quant. Req'd. per Unit Assy.	Unit Price
		Ford No.	Willys No.			
Col. 1	Col. 2	Col. 3	Col. 4	Col. 5	Col. 6	Col. 7
				<b>0606B—CHASSIS WIRING (Cont'd)</b>		
				CLIP, S., closed, $\frac{7}{16}$ in., $\frac{3}{32}$ bolt hole (under foot rest to floor pan bolt)	1	.0083
				WASHER, plain, S., $\frac{21}{64}$ in.	1	.0137
				CLIP, S., zn-pltd., $\frac{5}{8}$ in., $\frac{1}{4}$ in. bolt hole	2	
				NUT, mach. screw, hex., S., cd-pltd., No. 10 (0.190)-24NC-2 (GM-110633)	2	
				SCREW, machine, rd-hd., S., No. 10 (0.190)-24NC-2 x $\frac{5}{8}$	2	
				WASHER, lock, reg., S., cd-pltd., No. 10 (0.190) (GM-120217)	2	
				CONNECTOR (3 wire)	3	.0248
06-12				CONNECTOR (2 wire)	1	.0121
06-12				GROMMET, wiring harness through dash, $\frac{5}{8}$ in.	1	.0212
				GROMMET, wiring harness through dash, trailer coupling socket cable through floor pan, $\frac{3}{8}$ in. (Note 1)	4	
				HARNES, wiring, body (Note 1)	1	.0212
				HARNES, wiring, body, long (superseded by HARNES, FM-GPW-14401-D)	1	
				HARNES, wiring, body, long (superseded by HARNES, FM-GPW-14401-D)	1	
				HARNES, wiring, body, long (superseded by HARNES, FM-GPW-14401-D) (also in KIT, FM-GPW-18361-B, WO-A-7845)	1	
				HARNES, wiring, body, long (supersedes HARNES, FM-GPW-14401-A-B-C) (used with dimmer SWITCH, FM-GPW-13532, WO-638979)	1	
06-12				HARNES, wiring, body, long (used with dimmer SWITCH, WO-A-12056)	1	
				HARNES, wiring, body, left side, short (superseded by HARNES, FM-GPW-14402-B, WO-A-6154)	1	
				HARNES, wiring, body, left side, short (superseded by HARNES, FM-GPW-14402-B)	1	
				HARNES, wiring, body, left side, short (supersedes HARNES, FM-GPW-14402, WO-A-1551) (used with separate blackout and lighting switches)	1	
				HARNES, wiring, body, left side, short	1	
				HARNES, wiring, chassis, left side (also in KIT, FM-GPW-18361-B, WO-A-7845)	1	
				HARNES, wiring, generator to generator regulator and filter (Ford only) (also in KIT, FM-GPW-18361-B, WO-A-7845)	1	
				HARNES, wiring, generator to voltage regulator (Willys only)	1	
				HARNES, wiring, generator to voltage regulator (Note 2)	1	
				HARNES, wiring (includes the following 4 cables: ammeter to horn circuit breaker, filter (battery ammeter) to ammeter, filter (coil ignition switch) to ignition switch to gasoline gage circuit breaker, filter (regulator battery ammeter) to ammeter)	1	
06-12				HARNES, wiring, headlight (also in KIT, FM-GPW-18361-B, WO-A-7845) (has metal conduit)	1	
				HARNES, wiring, headlight (has fabric conduit)	1	

3320-GPW-18361	FM-GPW-18361	WO-A-6758	KIT, repair, wiring harness.....	1	3.682
3320-GPW-18361-D	FM-GPW-18361-D		KIT, repair, wiring harness.....	1	
3320-GPW-18361-B	FM-GPW-18361-B	WO-A-7845	KIT, repair, wiring harness.....	1	
			(Consists of:		
	FM-GPW-14457	WO-A-5078	2 CABLE, filter to starter switch		
	FM-GPW-14456	WO-A-5079	1 CABLE, filter to junction block		
	FM-GPW-14459	WO-A-5073	1 CABLE, filter to junction block		
	FM-GPW-14406	WO-A-5070	1 CABLE, gas gage to tank		
	FM-GPW-14416	WO-A-5080	1 CABLE, gas gage to circuit breaker		
	FM-GPW-14409	WO-A-5081	1 CABLE, horn to junction block		
	FM-GPW-14458	WO-A-5072	1 CABLE, ignition switch to ammeter		
	FM-GPW-14465	WO-A-5082	1 CABLE, generator regulator to junction block		
	FM-GPW-14305	WO-A-5074	1 HARNESS, wiring, generator		
	FM-GPW-14401-C	WO-A-5048	1 HARNESS, wiring, body, long		
	FM-GPW-14446	WO-A-5061	1 HARNESS, wiring, chassis		
	FM-GPW-14425	WO-A-1665	1 HARNESS, wiring, headlight)		
<b>0606D—CIRCUIT BREAKERS</b>					
G503-0125900	FM-GPW-12250-A	WO-A-1733	BREAKER, circuit, 5 amp. (between ignition switch and gas gage on instrument board) (superseded by BREAKER, FM-GPW-12250E, WO-A-15804)	1	.424
G503-0125901	FM-GPW-12250-B	WO-A-1734	BREAKER, circuit, 15 amp. (between ammeter and horn) (superseded by BREAKER, FM-GPW-12250-E, WO-A-15804)	1	.424
G104-1526008	FM-GPW-12250-E	WO-A-15804	BREAKER, circuit, 15 amp. (supersedes BREAKER, FM-GPW-12250-A, WO-A-1733; BREAKER, FM-GPW-12250-B, WO-A-1734)	2	
H001-4135621	FM-34052-S2	WO-6214	NUT, mach-screw, hex, S, No. 8 (0.164)-32NC-2	4	
H001-1518004	FM-26496-S	WO-5780	SCREW, mach., rd-hd., S, No. 8 (0.164)-32NC-2 x 5/8	4	
G503-0325902	FM-34802-S2	WO-52705	WASHER, lock, reg., S, No. 8 (0.164) (GM-106496)	4	
	FM-GPW-12250-C	WO-A-1349	BREAKER, circuit, 30 amp. (also included w/lighting SWITCH, assembly (DM-53097-A)	1	.244
<b>0606E—JUNCTION BLOCKS</b>					
3320-GPW-14448-C	FM-GPW-14448	WO-639599	BLOCK, junction (superseded by BLOCK, FM-GPW-14448-C)	1	
H001-7025621	FM-355131-S	WO-5064	BLOCK, junction, 2 post (headlight wires) (supersedes BLOCK, FM-GPW-14448)	2	.179
3320-GPW-14448-B	FM-34803-S7	WO-52221	SCREW, mach., rd-hd., S, No. 10 (0.190)-24NC-2 x 5/8	4	
3320-GPW-14448-D	FM-GPW-14448-B	WO-A-1490	WASHER, lock, reg., S, cd-pltd., No. 10 (0.190)	4	
	FM-GPW-14448-D		BLOCK, junction (superseded by BLOCK, FM-GPW-14448-D)	1	
H001-7025621	FM-355160-S	WO-5272	BLOCK, junction, 6 post (body wiring harness) (supersedes BLOCK, FM-GPW-14448-B)	1	.358
3320-GPA-13189	FM-34803-S7	WO-52221	SCREW, mach., rd-hd., S, No. 10 (0.190)-24NC-2 x 5/8	2	
3320-356299-S	FM-GPA-13189	WO-A-1089	WASHER, lock, reg., S, cd-pltd., No. 10 (0.190)	2	
	FM-356299-S		RESISTOR, blackout driving light (Note 2)	1	
			WASHER, terminal to block screw, special, S, 1/4 in.	10	

06-7

Note 1—Only for vehicles modified by MWO ORD G503-W2 (see page 3). Note 2—Only for vehicles modified by MWO ORD G503-W7 (see page 3).



Key	Part Name	Ford Part No.	Willys Part No.	Group No.	Key	Part Name	Ford Part No.	Willys Part No.	Group No.
A	HOUSING, assembly	FM-GPW-13012	WO-A-15586	0607	F	SCREW	FM-32706-S	WO-A-1032	0607
B	LAMP UNIT, assembly	FM-GPW-13007	WO-A-1033	0607A	G	RETAINER	FM-GPW-13015	WO-A-1031	0607
C	DOOR, assembly	FM-GPW-13043	WO-A-1036	0607	H	NUT	FM-33846-S2	WO-5916	0607
D	SCREW	FM-38095-S	WO-A-1037	0607	J	WASHER	FM-34809-S	WO-5009	0607
E	WIRE, assembly (left-hand)	FM-GPW-13076	WO-A-1362	0607	K	BOLT	FM-GPW-13022	WO-A-1361	0607
	WIRE, assembly (right-hand)	FM-GPW-13075	WO-A-1363	0607					

RA PD 342256

FIGURE 06-8—HEADLIGHT ASSEMBLY



**GROUP 06—ELECTRICAL (Cont'd)**

Figure Number	Official Stock Number	Piece Mark or Part Number		ITEM	Quant. Req'd. per Unit Assy.	Unit Price
		Ford No.	Willlys No.			
Col. 1	Col. 2	Col. 3	Col. 4	Col. 5	Col. 6	Col. 7
				<b>0606F—TRAILER ELECTRIC COUPLING</b> (Only for vehicles modified by MWO ORD G503-WS)		
		FM-GPW-5186	WO-A-6393	BOLT, eye, safety chain	2	.0425
		FM-09B-14362	WO-A-6356	CABLE, trailer, coupling socket to body ground	1	.258
	G102-0400526	FM-11YS-18149-B	WO-A-6587	COVER, assembly (WEB-11935-B)	1	
	H001-4135681	FM-34079-S7	WO-A-8088	COVER, terminal (WEB-110242) (Willlys only)	3	
			WO-53061	NUT, hex., S., cd-pltd., No. 10 (0.190)-32NF-2 (socket terminal) (WEB-110477) (GM-120614)	8	
	D017-0309544	FM-11YS-18198-B	WO-A-6588	RETAINER, dust shield (WEB-20099)	1	
	F226-0242470	FM-11YS-18193-B	WO-A-6589	SHIELD, dust (WEB-20098)	1	
	H004-0355720	FM-11YS-18151-B	WO-A-6586	SOCKET, trailer electric coupling, assembly (WEB-3529) (less COVER)	1	4.40
	D028-0204281	FM-11YS-18142-B	WO-A-6019	SOCKET, trailer electric coupling, w/COVER, assembly (to accommodate trailer) (WEB-3604) (includes: COVER, INTERNAL PARTS, ATTACHING PARTS)	1	
			WO-53069	BOLT, hex-hd., S., cd-pltd., 1/4-28NF-2 x 1 (socket to body) (GM-120364) (Willlys only)	2	
	H001-5418341		WO-52921	BOLT, hex-hd., S., cd-pltd., 1/4-28NF-2 x 3/4 (socket to body) (GM-123450) (Willlys only)	2	
		FM-20364-S7	WO-52847	BOLT, hex-hd., S., cd-pltd., 1/4-28NF-2 x 1/2 (Ford only)	4	
	H001-4167521	FM-33795-S7	WO-53313	NUT, hex., S., cd-pltd., 1/4-28NF-2 (GM-120367)	4	
	H001-7025681	FM-34805-S8	WO-53024	WASHER, lock, reg, S., z-pltd., 1/4 in. (1 1/2 O.D. x 0.254 I.D. x 1/8 thk.)	4	
	H001-7124701	FM-351274-S7	WO-A-8087	WASHER, lock, S., cd-pltd., 1/4 in. (internal, external tooth) (GM-174916)	4	
	G074-1443015	FM-34753-S	WO-A-8087	WASHER, terminal screw (br., No. 10 (0.190)) (WEB-110110)	4	
	H001-7021685	FM-34903-S2	WO-53194	WASHER, lock, S., parkerized, shakeproof, No. 10 (0.190) (GM-138534)	4	
		FM-GPW-13020	WO-A-2873	<b>0607—HEADLIGHT</b>		
				BOLT, hold-down, headlight support, w/NUT and WASHER, assembly (S., 5/16-18NC-2)	2	.023
06-8		FM-GPW-13022	WO-A-1361	BOLT, mounting, headlight (CB-CB-6012)	2	
		FM-GPW-14436	WO-A-1731	CABLE, ground headlight	2	
		FM-32852-S7	WO-52993	SCREW, sheet metal, rd-hd., No. 10 (0.190) x 3/8 (cable to bracket)	2	
		FM-GPW-13043	WO-A-1036	DOOR, headlight, assembly (CB-CB-8523)	2	.326
06-8	G121-0155535	FM-38095-S	WO-A-1037	SCREW, mach., oval-fl-hd., S., No. 8 (0.164)-32NC-2 x 3/4 (CB-CB-5099)	2	
		FM-GPW-13032	WO-A-2878	HINGE, headlight support	2	.105
	H001-5419100	FM-20326-S2	WO-51485	BOLT, hex-hd., s-fin., 5/16-18NC-2 x 5/8 (GM-106324)	4	
		FM-33797-S2	WO-52350	NUT, reg, hex., s-fin., S., 5/16-18NC-2	4	
	H001-1518008	FM-34806-S2	WO-51840	WASHER, lock, reg, S., 5/16 in.	4	

**GROUP 06—ELECTRICAL (Cont'd)**

Figure Number	Official Stock Number	Piece Mark or Part Number		ITEM	Quant. Reqd. per Unit Assy.	Unit Price
		Ford No.	Willlys No.			
Col. 1	Col. 2	Col. 3	Col. 4	Col. 5	Col. 6	Col. 7
<b>0607—HEADLIGHT (Cont'd)</b>						
06-8	G503-0211411	FM-GPW-13012 FM-GPW-13006	WO-A-5586	HOUSING, headlight, assembly (CB-CB-10436) LIGHT, head, service, left, assembly (CB-215142) (superseded by LIGHT, assembly, FM-GPW-13006-A, WO-A-1304)	2	
	G503-0211411	FM-GPW-13006-A	WO-A-1304	LIGHT, head, service, left, assembly (supersedes LIGHT, assembly, FM-GPW-13006)	1	2.33
	G503-0211410	FM-GPW-13005		LIGHT, head, service, right, assembly (CB-215242) (superseded by LIGHT, assembly, FM-GPW-13005-A, WO-A-1305)	1	
06-8	G503-0211410	FM-GPW-13005-A	WO-A-1305	LIGHT, head, service, right, assembly (supersedes LIGHT, assembly, FM-GPW-13005)	1	2.46
06-8	G085-2307356	FM-33846-S2	WO-5916	NUT, reg., hex., S., 1/2-20NF-2	2	
	H001-1518011	FM-34809-S	WO-5009	WASHER, lock, reg., S., 1/2 in.	2	
		FM-33896-S2	WO-A-2466	NUT, wing, S., 5/16-18NC-2 (headlight mounting bracket bolt)	2	
		FM-357419-S2	WO-A-2875	PIN, clevis, headlight support bolt (S., 0.248 diam. x 25/64 lgh.)	2	.022
		FM-72003-S7	WO-5067	PIN, cotter, split, S., 1/16 x 1/2	2	
06-8	H001-0811025	FM-GPW-13015	WO-A-1031	RETAINER, headlight mounting bolt (CB-CB-8010)	2	
06-8	H001-7025621	FM-37206-S	WO-A-1032	SCREW, mach., rd-hd., S., No. 10 (0.190)-32NF-2 x 1/4 (CB-CB-4057)	2	
		FM-34803-S7	WO-52221	WASHER, lock, S., cd-pltd., No. 10 (0.190) (CB-CB-300)	2	
		FM-GPW-13071	WO-A-2870	SUPPORT, headlight, left, assembly	1	.717
		FM-GPW-13070	WO-A-2871	SUPPORT, headlight, right, assembly	1	.717
06-8	3320-GPW-13076	FM-GPW-13076	WO-A-1362	WIRE, left headlight, assembly	1	.195
06-8	3320-GPW-13075	FM-GPW-13075	WO-A-1363	WIRE, right headlight, assembly	1	.326
<b>0607A—LAMP-UNITS (Sealed Beam)</b>						
06-9	M001-0107347	FM-GPW-13152	WO-A-6145	LAMP-UNIT, blackout driving headlight, sealed, 6-8V., assembly (CB-CB-11267)	1	1.173
06-8	G503-0127853	FM-GPW-13007	WO-A-1033	LAMP-UNIT, headlight, sealed, 6V., assembly (CB-CB-8494)	2	.961
		FM-GPA-13007		LAMP-UNIT, headlight, sealed, 12V., assembly (Note I)	2	
06-11	H004-0504417	FM-GP-13494-A	WO-A-1074	LAMP-UNIT, service tail and stop, sealed, 21-3 cp., assembly (CB-CB-9218) (ORD-504417)	1	.391
		FM-GPA-13494		LAMP-UNIT, service tail and stop, sealed, 21-3 cp., 12V., assembly (Note I)	1	
		FM-GP-13485-A	WO-A-1078	LAMP-UNIT, blackout stop, sealed, 3 cp., 6V., assembly (CB-CB-9234) (ORD-504423)	1	.424
		FM-GPA-13485		LAMP-UNIT, blackout stop, sealed, 3 cp., 12V., assembly (Note I)	1	
06-11	H004-0504420	FM-GP-13491-A	WO-A-1075	LAMP-UNIT, blackout tail, sealed, 4 opening, 6V., assembly (CB-CB-9225) (ORD-504420)	1	.456
		FM-GPA-13491		LAMP-UNIT, blackout tail, sealed, 4 opening, 12V., assembly (Note I)	2	

0607B—LAMPS

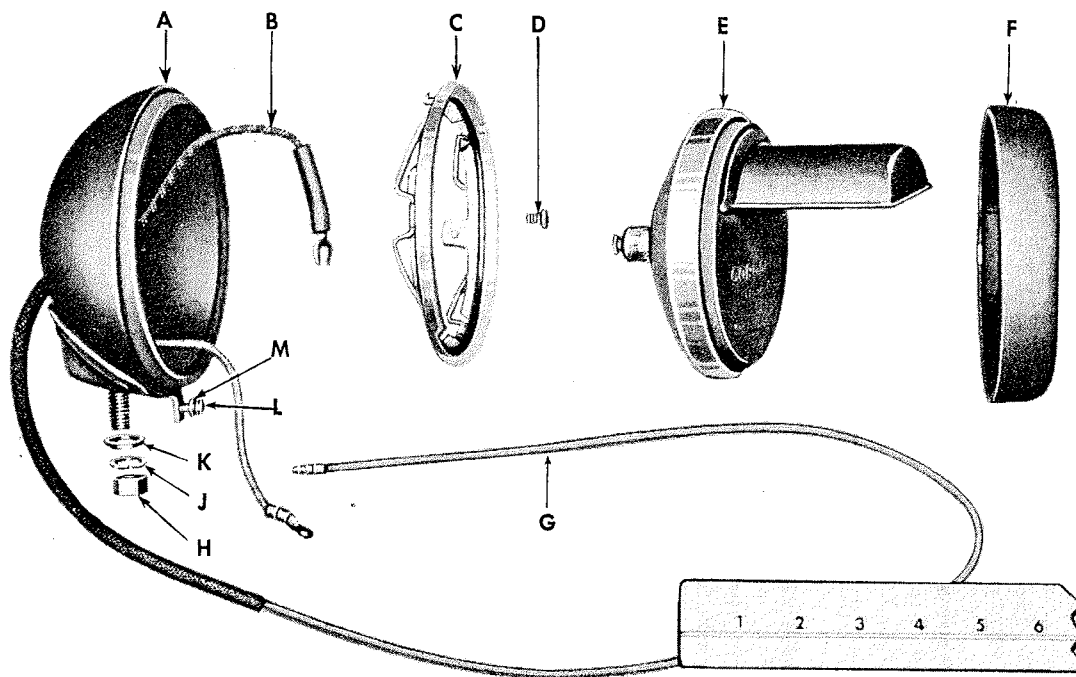
06-10	M001-0213230	FM-GPA-13466	WO-51804	LAMP, elec., incand., 12-16V., 3 cp., single tung. fl. (Commercial No. 67) (GM-142450) (Note 1)	2
	H104-0193059	FM-B-13466	WO-53474	LAMP, elec., incand., 6-8V., 3 cp., single tung. fl. (Commercial No. 63) (GM-142303) (superseded by LAMP, WO-53474)	2
		FM-48-15021	WO-52837	LAMP, elec., incand., 6-8V., 3 cp., single tung. fl. (Commercial No. 1265) (supersedes LAMP, FM-B-13466, WO-51804)	2
		FM-GPA-13462		LAMP, elec., incand., 6-8V., 1 cp., single tung. fl. (Commercial No. 51) (GM-115273)	2
				LAMP, elec., incand., 12-16V., 1 cp., single tung. fl. (Commercial No. 53) (GM-131282) (Note 1)	2

0607D—BLACKOUT LIGHTS

NOTE: For blackout TAILLIGHT see group 0608

	2300-11503	FM-GPW-13175	WO-A-6146	CABLE, blackout driving light, assembly (CB-CB-11503) (superseded by CABLE, FM-GPW-13175-C, WO-A-11770)	1
06-9, 12	3320-GPW-13175-C	FM-GPW-13175-C	WO-A-11770	CABLE, blackout driving light, assembly (supersedes CABLE, WO-A-6146)	1
06-10	3320-GP-13210-B	FM-GPW-13210-B	WO-A-1070	DOOR, marker light, assembly (CB-CB-9204)	2
06-10		FM-28378-S2	WO-A-1072	DOOR, marker light, assembly (CB-CB-9204)	2
06-9		FM-GPW-13162	WO-A-6144	SCREW, mach., oval-fl-hd., S., No. 8 (0.164)-32NC-2 x 7/8	1
06-9		FM-31045-S2	WO-A-6148	DOOR, blackout driving light, assembly (CB-CB-11193)	1
06-9	H001-1519006	FM-34902-S	WO-52754	SCREW, mach., oval-fl-hd., S., No. 8 (0.164)-32NC-2 x 3/8 (CB-CB-11263)	1
	G179-7010624	FM-GPW-13209	WO-A-15304	WASHER, lock, S., internal tooth, flat type, No. 8 (0.164)	1
06-10	3320-GP-13209-B	FM-GPW-13209-B	WO-A-1071	GASKET, blackout light door	1
06-9		FM-GPW-13170	WO-A-6143	GASKET, marker light door (CB-CB-9281)	2
06-10		FM-GPW-13217	WO-A-1439	HOUSING, blackout driving light, assembly (CB-CB-11500)	1
		FM-GPW-13216	WO-A-1440	HOUSING, marker light, w/WIRE, left, assembly (CB-CB-10461)	1
	2300-415342	FM-GPW-13201	WO-A-1436	HOUSING, marker light, w/WIRE, right, assembly (CB-CB-10462)	1
06-10		FM-33798-S7	WO-A-1532	LIGHT, marker, left, assembly (CB-415342)	2
06-10		FM-34941-S7	WO-53029	NUT, reg., hex., S., cd-pltd., 5/16-24NF-2	2
	2300-415442	FM-GPW-13200	WO-A-1437	WASHER, lock, S., cd-pltd., external tooth, flat type, 5/16 in.	2
	3320-GPW-13150	FM-GPW-13150	WO-A-6142	LIGHT, marker, right, assembly (CB-415442)	1
06-9	3320-GPW-13150-C	FM-GPW-13150-C	WO-A-11768	LIGHT, driving, blackout, assembly (CB-11495) (superseded by LIGHT, assembly, FM-GPW-13150)	1
06-9	H001-4171585	FM-33799-S2	WO-53033	NUT, reg., hex., S., 5/16-16NC-2 (GM-132328)	1
06-9	H001-1518009	FM-34807-S2	WO-5010	WASHER, lock, reg., S., 5/16 in.	1
			WO-A-1082	NIPPLE, rubber, marker lamp	2
			WO-A-5806	PAD, mounting, marker lamp (CB-CB-9276)	2
06-9		FM-GPW-13166	WO-A-6783	RING, mounting, blackout driving light lamp-unit (CB-CB-11199)	1
06-9		FM-40631-S7	WO-53071	SCREW, blackout driving light ground (CB-CB-7783) (GM-125760)	1
06-9		FM-GPW-13180	WO-A-6313	WASHER, adjusting, blackout driving light	1
06-9		FM-GPW-13174	WO-A-6147	WIRE, ground, blackout driving light, assembly (CB-CB-11200)	1

Note 1—Only for vehicles modified by MWO ORD G503-W7. (see page 3).



Key	Part Name	Ford Part No.	Willys Part No.	Group No.
A	HOUSING, assembly	FM-GPW-13170	WO-A-6143	0607D
B	WIRE	FM-GPW-13174	WO-A-6147	0607D
C	RING, assembly	FM-GPW-13166	WO-A-6783	0607D
D	SCREW	FM-40631-S7	WO-53071	0607D
E	LAMP-UNIT	FM-GPW-13152	WO-A-6145	0607A
F	DOOR, assembly	FM-GPW-13162	WO-A-6144	0607D
G	CABLE, assembly	FM-GPW-13175-C	WO-A-11770	0607D
H	NUT	FM-33799-S2	WO-53033	0607D
J	WASHER	FM-34807-S2	WO-5010	0607D
K	WASHER	FM-GPW-13180	WO-A-6313	0607D
L	SCREW	FM-31045-S2	WO-A-6148	0607D
M	WASHER	FM-34902-S	WO-52754	0607D

RA PD 342277

FIGURE 06-9—BLACKOUT DRIVING LIGHT ASSEMBLY

Key	Part Name	Ford Part No.	Willys Part No.	Group Number
A	WASHER	FM-34941-S7	WO-53029	0607D
B	NUT	FM-33798-S7	WO-A-1532	0607D
C	HOUSING, assembly	FM-GPW-13217	WO-A-1439	0607D
D	GASKET	FM-GP-13209-B	WO-A-1071	0607D
E	LAMP	FM-B-13466	WO-51804	0607B
F	DOOR, assembly	FM-GPW-13210-B	WO-A-1070	0607D
G	SCREW	FM-28378-S2	WO-A-1072	0607D

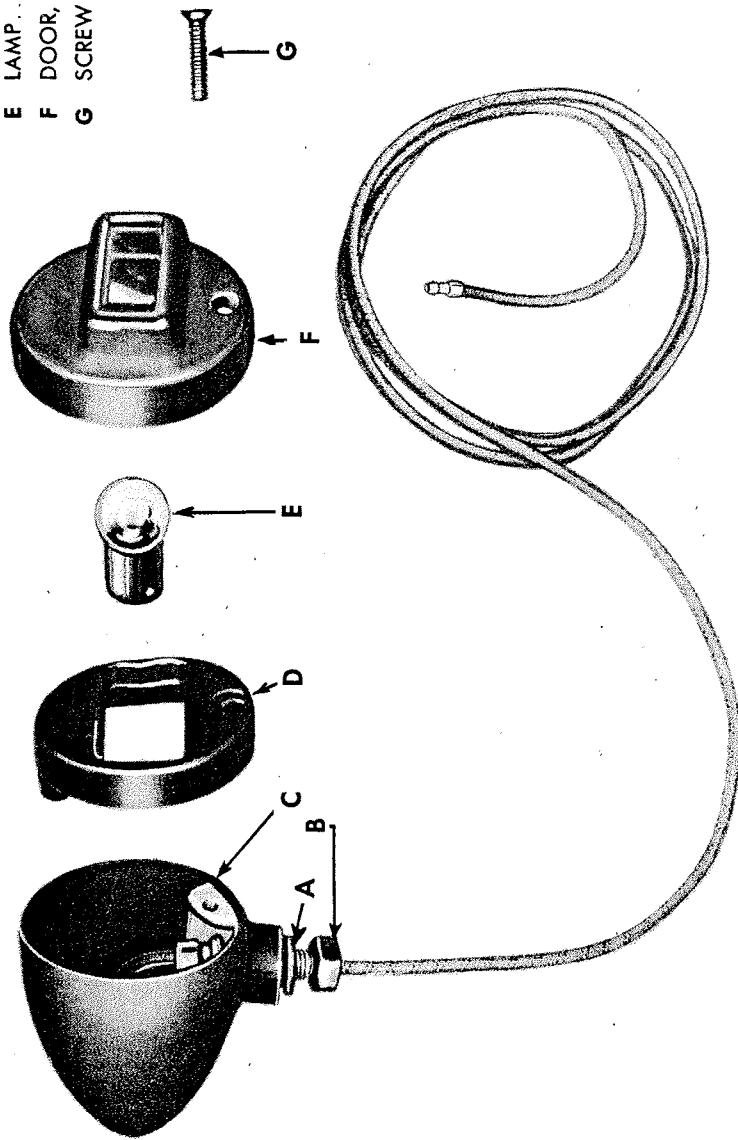
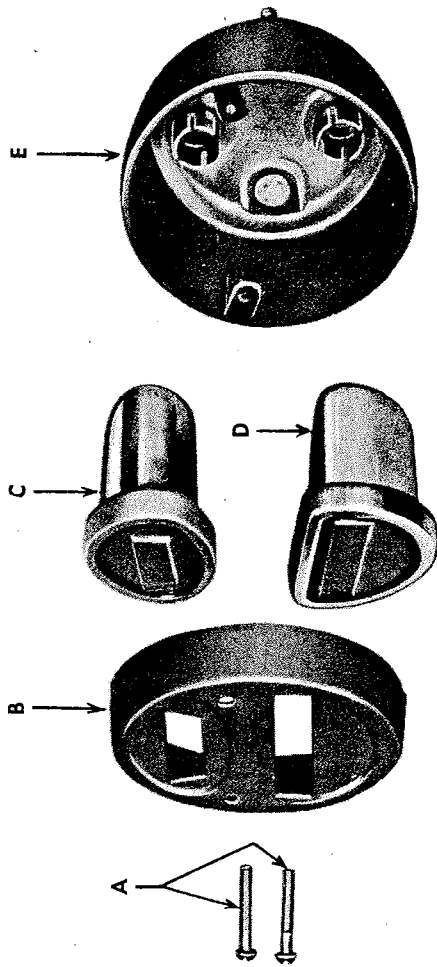


FIGURE 06-10—MARKER LIGHT ASSEMBLY



Key	Part Name	Ford Part No.	Willlys Part No.	Group No.
A	SCREW	FM-36931-S2	WO-A-1077	0608
B	DOOR	FM-GP-13448-B	WO-A-1076	0608
C	LAMP-UNIT	FM-GP-13494-A	WO-A-1074	0607A
D	LAMP-UNIT	FM-GP-13491-A	WO-A-1075	0607A
E	HOUSING	FM-GPW-13408-B	WO-A-1073	0608

RA PD 342230

FIGURE 06-11—TAIL AND STOP LIGHT ASSEMBLY

GROUP 06—ELECTRICAL (Cont'd)

Figure Number	Official Stock Number	Piece Mark or Part Number		ITEM	Quant. Reqd. per Unit Assy.	Unit Price
		Ford No.	Willlys No.			
06-11	3320-GPW-13410	FM-GPW-13410	WO-A-719	0608—TAILLIGHT  NOTE: For LAMP-UNIT see group 0607A CABLE, blackout taillight to connector DOOR, blackout tail and service tail and stop light, assembly (CB-CB-9231) DOOR, blackout tail and blackout stop light (CB-CB-9232) SCREW, taillight door (CB-CB-9233) HOUSING, tail and stop light, assembly (CB-CB-9212) LIGHT, blackout tail and service tail and stop, 6V., 7/8 stud lgh., assembly (CB-60142) (ORD-504406) LIGHT, blackout tail and blackout stop, 6V., 7/8 stud lgh., assembly (CB-60242) (ORD-504413) NUT, reg., hex., S, cd-pltd., 1/4-20NC-2 WASHER, lock, reg., S, 1/4 in.	1	.179
	H004-050432	FM-GP-13448-B	WO-A-1076		1	.125
	H004-050430	FM-GP-13449-A	WO-A-1079		1	.125
06-11	G104-3067005	FM-36931-S2	WO-A-1077		4	
06-11	G121-0217900	FM-GPW-13408-B	WO-A-1073		2	
	H004-0504406	FM-GP-13405-B	WO-A-1064		1	1.662
	H004-0504413	FM-GP-13404-B	WO-A-1065		1	1.71
	H001-4167501	FM-33795-S7	WO-5790		4	
	H001-1518007	FM-34805-S2	WO-52706		4	

0609—HORNS

H001-5419820	FM-GPW-13831	WO-A-1389	BRACKET, horn, assembly	1
H101-0114493	FM-24347-S2	WO-51396	BOLT, hex-hd., s-fin., S, 5/16-24NF-2 x 3/4 (GM-100013)	2
H001-7025711	FM-33909-S7	WO-52954	NUT, reg., hex., s-fin., S, cd-pltd., 5/16-24NF-2 (GM-114493)	2
H001-1531003	FM-34806-S7	WO-51833	WASHER, lock, reg., S, cd-pltd., 5/16 in.	2
	FM-34706-S7	WO-5437	WASHER, plain, S, cd-pltd., 5/16 in. (GM-106262)	2
H001-5418300	FM-GPW-13802	WO-A-1312	HORN, assembly (6 volt) (SPW-B-9427) (SZE-61400)	1
H001-1518007	FM-20325-S7	WO-5920	BOLT, hex-hd., S, cd-pltd., 1/4-28NF-2 x 5/8 (GM-106274)	2
	FM-34805-S2	WO-52706	WASHER, lock, reg., S, 1/4 in.	2
H001-1518004	FM-GPA-13802	WO-52182	HORN, assembly (12 volt) (Note 1)	1
	FM-34052-S2	WO-52705	NUT, adjusting, horn (mach-screw, hex., S, No. 8 (0.164)-32NC-2)	2
	FM-34802-S2		WASHER, horn adjusting nut (lock, reg., S, No. 8 (0.164)	2
<b>0609B—HORN BUTTON AND WIRING</b>				
14-2	G160-0126260	WO-A-302	BRUSH, horn wire contact (RG-032087) (GM-263549)	1
	H001-5147511	WO-52131	SCREW, mach., rd-hd., S, cd-pltd., No. 8 (0.164)-32NC-2 x 1/4	2
	H001-1519006	WO-52754	WASHER, lock, S, internal tooth, flat type, No. 8 (0.164)	2
14-2, 18-1	7640-450054	WO-A-634	BUTTON, horn (RG-450054) (also in KIT, FM-GPW-18382, WO-A-6742) (see Group 1404 for horn button NUT)	1
06-12		WO-A-5081	CABLE, horn to junction block (also in KIT, FM-GPW-18361-B, WO-A-7845)	1
14-2	7640-7321-32	WO-A-752	CABLE, horn, assembly (RG-8287-32)	1
14-2	7640-029046	WO-638885	CUP, horn button spring (RG-029046) (also in KIT, FM-GPW-18382, WO-A-6742)	1
	7640-051033		FERRULE, insulating, horn button (superseded by FERRULE, FM-GPW-3635-B, WO-A-751)	1
14-2	7640-051035	WO-A-751	FERRULE, insulating, horn button (RG-051035) (superseded FERRULE, FM-GPW-3635)	1
	3320-GPW-18382	WO-A-6742	KIT, repair, horn button	1
			(Consists of:	
		WO-A-634	1 BUTTON	
		WO-638885	1 CUP, spring	
		WO-A-751	1 FERRULE, insulating	
		WO-638884	1 SPRING	
		WO-A-750	1 WASHER, contact	
14-2	7640-063991	WO-A-747	RING, horn wire contact, assembly (RG-063991)	1
14-2	7640-401107	WO-638884	SPRING, horn button (RG-401107) (also in KIT, FM-GPW-18382, WO-A-6742)	1
14-2	7640-029049	WO-A-750	WASHER, horn button contact (RG-029049) (also in KIT, FM-GPW-18382, WO-A-6742)	1
			WO-A-6742)	
<b>0610—BATTERY</b>				
	G502-0116038	WO-A-1767	BATTERY, 6V., 15 plate, 116 amp. hr. (dry charged) (AL-TSR-2-15) (WB-SR-2-119)	1
	H015-0500903		BATTERY, moist uncharged, 6-8V., type 2H (ORD 500903)	1
	51-A1562-400	WO-A-11760	ELECTROLYTE, battery, and CONTAINER (use with dry charged battery, FM-11AS-10658, WO-A-1767)	1
	51-A1562-400		ELECTROLYTE, sp. gr. 1.345, for 6V., moist uncharged battery	1

Note 1—Only for vehicles modified by MWO ORD G503-W7 (see page 3).

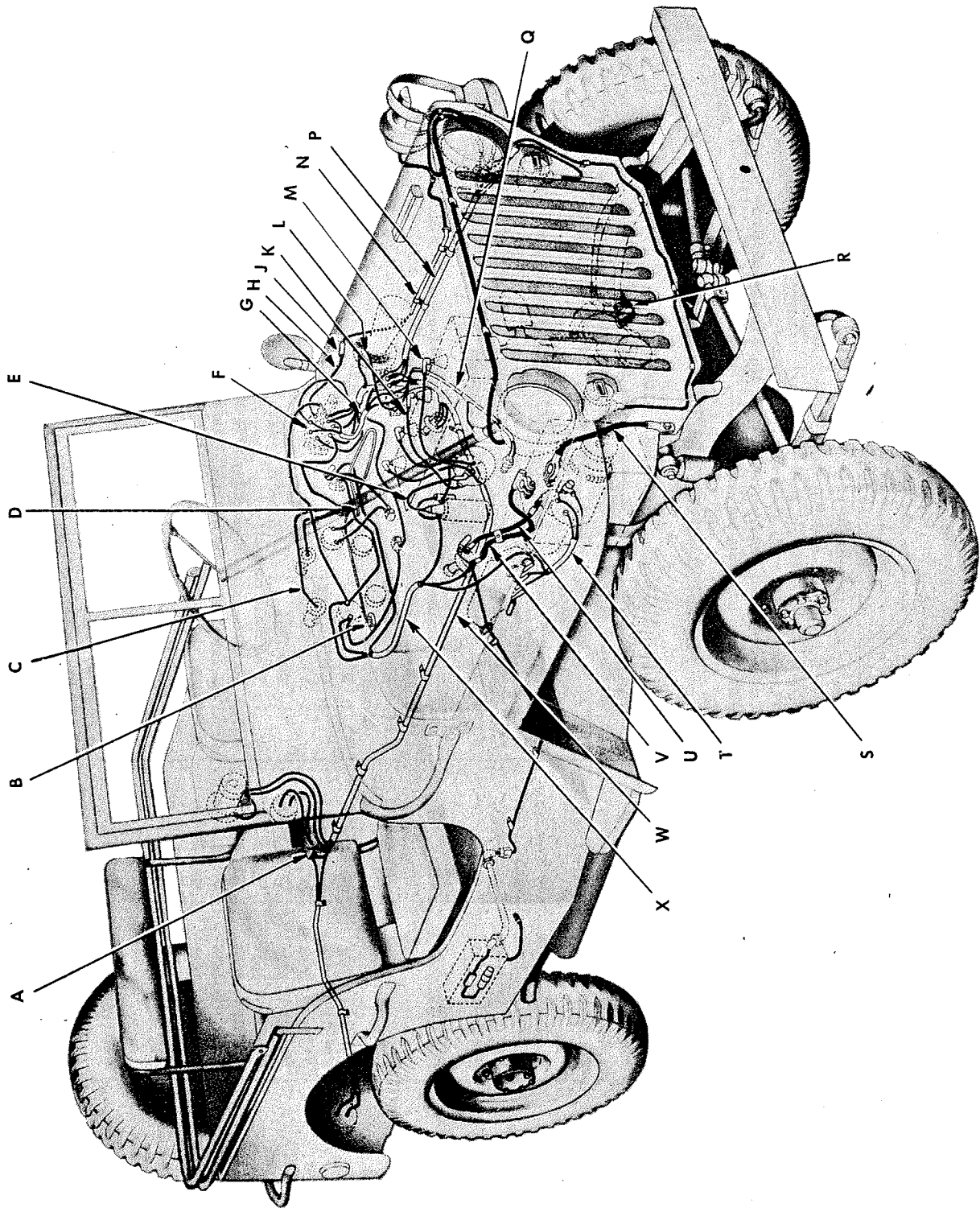


FIGURE 06-12—WIRING INSTALLATION



Key	Part Name	Ford Part No.	Willys Part No.	Group No.	Key	Part Name	Ford Part No.	Willys Part No.	Group No.
A	CONNECTOR	FM-GPW-14487-A	WO-635895	.0606B	M	CABLE	FM-GPW-12287	WO-A-1412	.0604A
B	GAGE	FM-GPW-9275-A	WO-A-1292	.0300A	N	CABLE	FM-GPW-13175-C	WO-A-11770	.0607D
C	SOCKET, w/ CABLE, assembly	FM-GPW-13710	WO-A-1411	.0605C	P	HARNES	FM-GPW-14425	WO-A-1665	.0606B
D	CABLE	FM-GPW-14458	WO-A-5072	.0606B	Q	HARNES	FM-GPW-14446	WO-A-5061	.0606B
E	CABLE	FM-GPW-12298-B	WO-A-1420	.0604A	R	STRAP	FM-GPW-14303	WO-A-1098	.2603
F	SWITCH, assembly	FM-G8T-11649	WO-A-11866	.0606	S	STRAP	FM-GPW-14301-B	WO-A-1320	.0610B
G	HARNES	FM-GPW-14402-B	WO-A-6154	.0606B	T	HARNES	FM-GPW-14305	WO-A-5074	.0606B
H	CABLE	FM-GPW-13181	WO-A-6153	.0606B	U	CABLE	FM-GPW-14431	WO-A-1454	.0610B
J	CONNECTOR	FM-GPW-14487-B	WO-635981	.0606B	V	CABLE	FM-GPW-14300	WO-A-1452	.0610B
K	CABLE	FM-GPW-12284	WO-A-1414	.0604A	W	HARNES	FM-GPW-14401-D	WO-A-5048	.0606B
L	CABLE	FM-GPW-14409	WO-A-5081	.0609B	X	HARNES	FM-GPW-14432	WO-A-5981	.0606B

RA PD 342251A

FIGURE 06-12A—LEGEND FOR 06-12—WIRING INSTALLATION

GROUP 06—ELECTRICAL (Cont'd)

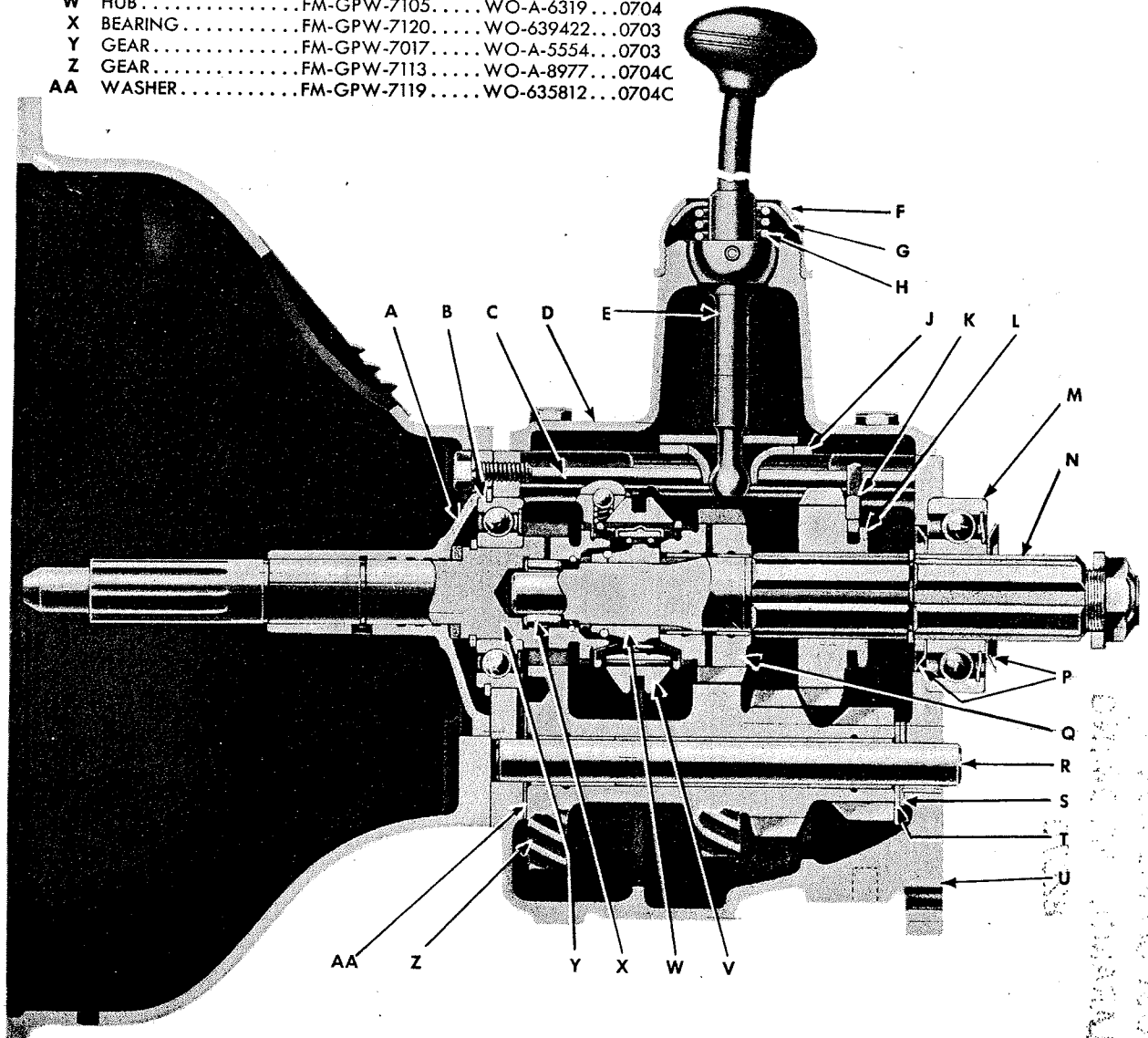
Figure Number	Official Stock Number	Piece Mark or Part Number		ITEM	Quant. Reqd. per Unit Assy.	Unit Price
		Ford No.	Willys No.			
Col. 1	Col. 2	Col. 3	Col. 4	Col. 5	Col. 6	Col. 7
	3320-GPW-5165	FM-GPW-10693 FM-GPW-10692 FM-GPW-5165 FM-GPW-5175	WO-A-1291 WO-A-1164 WO-300329	<b>0610A—BATTERY HANGERS</b>	1 2	.326 .138
	H001-7025711	FM-34806-S7 FM-356305-S	WO-51833	BRACKET, battery hold-down, center (Note 1) BRACKET, battery hold-down, end (Note 1) FRAME, hold-down, battery BOLT, S., 5/16-18NC-2 x 9 NUT, wing, S., 5/16-18NC-2 WASHER, lock, reg., S., cd-pltd., 3/8 in. (GM-103320) WASHER, plain, S., 2 1/4 in.	1 2 2 2 2 2	.0083
	3320-33897-S2	FM-33897-S2	WO-52768	NUT, battery hold-down (wing, 3/8-16NC-2) (Note 1)	2 6	.0083

Note 1—Only for vehicles modified by MWO ORD G503-W7. (see page 3).

**GROUP 06—ELECTRICAL (Cont'd)**

Figure Number	Official Stock Number	Piece Mark or Part Number		ITEM	Quant. Req'd. per Unit Assy.	Unit Price
		Ford No.	Willlys No.			
Col. 1	Col. 2	Col. 3	Col. 4	Col. 5	Col. 6	Col. 7
	H001-1518008	FM-GPW-5168 FM-33896-S2 FM-34806-S2 FM-356305-S	WO-A-1757 WO-A-2466 WO-51833 WO-52768	<b>0610A—BATTERY HANGERS (Cont'd)</b>  STRAP, battery frame to front fender. NUT, wing, S., $\frac{5}{16}$ -18NC-2. WASHER, lock, reg., S., $\frac{5}{16}$ in. (GM-103320) WASHER, plain, S., $\frac{2}{4}$ in.	1 1 1 1	.0083
06-12	3320-GPW-14300	FM-350343-S16 FM-GPW-14300	WO-335912 WO-A-9093	<b>0610B—BATTERY CABLES AND CONNECTIONS</b>  BOLT, terminal clamp, w/NUT, assembly (superseded by BOLT, assembly FM-350343-S16, WO-9093) BOLT, terminal clamp, w/NUT, assembly (supersedes BOLT, assembly, WO-335912)	2 2	.472
06-12	3320-GPW-14431	FM-GPW-14431 FM-34056-S16	WO-A-1452 WO-A-1454 WO-A-9094 WO-A-1320 WO-635883	CABLE, battery to starting switch, positive. CABLE, starting switch to cranking motor. NUT, terminal clamp bolt (hex., S., cd-pltd., $\frac{5}{16}$ -18NC-2) STRAP, battery ground. STRAP, battery ground (14 $\frac{1}{2}$ in.)	1 1 2 1	.212
06-12	3320-GPW-14301-B H001-5421240 H001-4167600 H001-1518009	FM-GPW-14301-B FM-24369-S FM-33800-S FM-34807-S2 FM-34747-S7 FM-11A-14452 FM-19B-14451	WO-50151 WO-5901 WO-A-1680 WO-A-1680 WO-371400 WO-372668	BOLT, hex-hd., S., $\frac{3}{8}$ -24NF-2 x $\frac{1}{8}$ (GM-106285) NUT, reg, hex., S., $\frac{3}{8}$ -24NF-2 (GM-103026) WASHER, lock, reg., S., $\frac{3}{8}$ in. (GM-103321) WASHER, plain, S., cd-pltd., $\frac{3}{8}$ in. TERMINAL, battery cable. TERMINAL, battery, positive cable clamp.	1 1 1 1 1 1 1	.261
	3320-GPWS-14301 3320-GPW-14300-B 3320-GPWS-14447 FM-33797-S16 3320-GPW-14555 3320-GPA-14451-C 3320-GPA-14450-C	FM-GPWS-14301 FM-GPW-14300-B FM-GPWS-14447 FM-33797-S16 FM-GPW-14555 FM-GPA-14451-C FM-GPA-14450-C		<b>0610B-1—BATTERY CABLES AND CONNECTIONS (12 Volt)</b>  (Only for vehicles modified by MWO ORD G503-W2)  CABLE, battery ground. CABLE, battery to cranking motor switch. CONNECTOR, battery, series. NUT, battery series connector. TERMINAL, battery to cranking motor switch. TERMINAL, negative, battery cable. TERMINAL, positive, battery cable.	1 1 1 2 1 1 1	.0425

Key	Part Name	Ford Part No.	Willys Part No.	Group No.
A	RETAINER	FM-GPW-7050	WO-640017	.0703
B	BEARING	FM-GPW-7025-A	WO-636885	.0703
C	RAIL	FM-GPW-7240	WO-A-1156	.0706B
D	HOUSING, assembly	FM-GPW-7204	WO-635857	.0706A
E	LEVER, assembly	FM-GPW-7210-A	WO-A-1380	.0706A
F	CAP	FM-BB-7220	WO-A-1379	.0706A
G	WASHER	FM-BB-7228	WO-635863	.0706A
H	SPRING	FM-GPW-7227	WO-392328	.0706A
J	PLATE	FM-GPW-7211-B	WO-A-7260	.0706A
K	FORK	FM-GPW-7231	WO-636197	.0706C
L	GEAR	FM-GPW-7100	WO-636879	.0704
M	BEARING	FM-GP-7065	WO-A-916	.0704
N	SHAFT	FM-GPW-7061	WO-A-519	.0704
P	WASHER	FM-GPW-7080	WO-A-410	.0704
Q	GEAR	FM-GPW-7102	WO-638798	.0704
R	COUNTERSHAFT	FM-GPW-7111	WO-638948	.0704C
S	WASHER	FM-GPW-7126	WO-A-879	.0704C
T	WASHER	FM-GPW-7129-A	WO-635811	.0704C
U	CASE, assembly	FM-GPW-7005	WO-A-1148	.0701
V	SLEEVE	FM-GPW-7106	WO-637833	.0704
W	HUB	FM-GPW-7105	WO-A-6319	.0704
X	BEARING	FM-GPW-7120	WO-639422	.0703
Y	GEAR	FM-GPW-7017	WO-A-5554	.0703
Z	GEAR	FM-GPW-7113	WO-A-8977	.0704C
AA	WASHER	FM-GPW-7119	WO-635812	.0704C



RA PD 342283

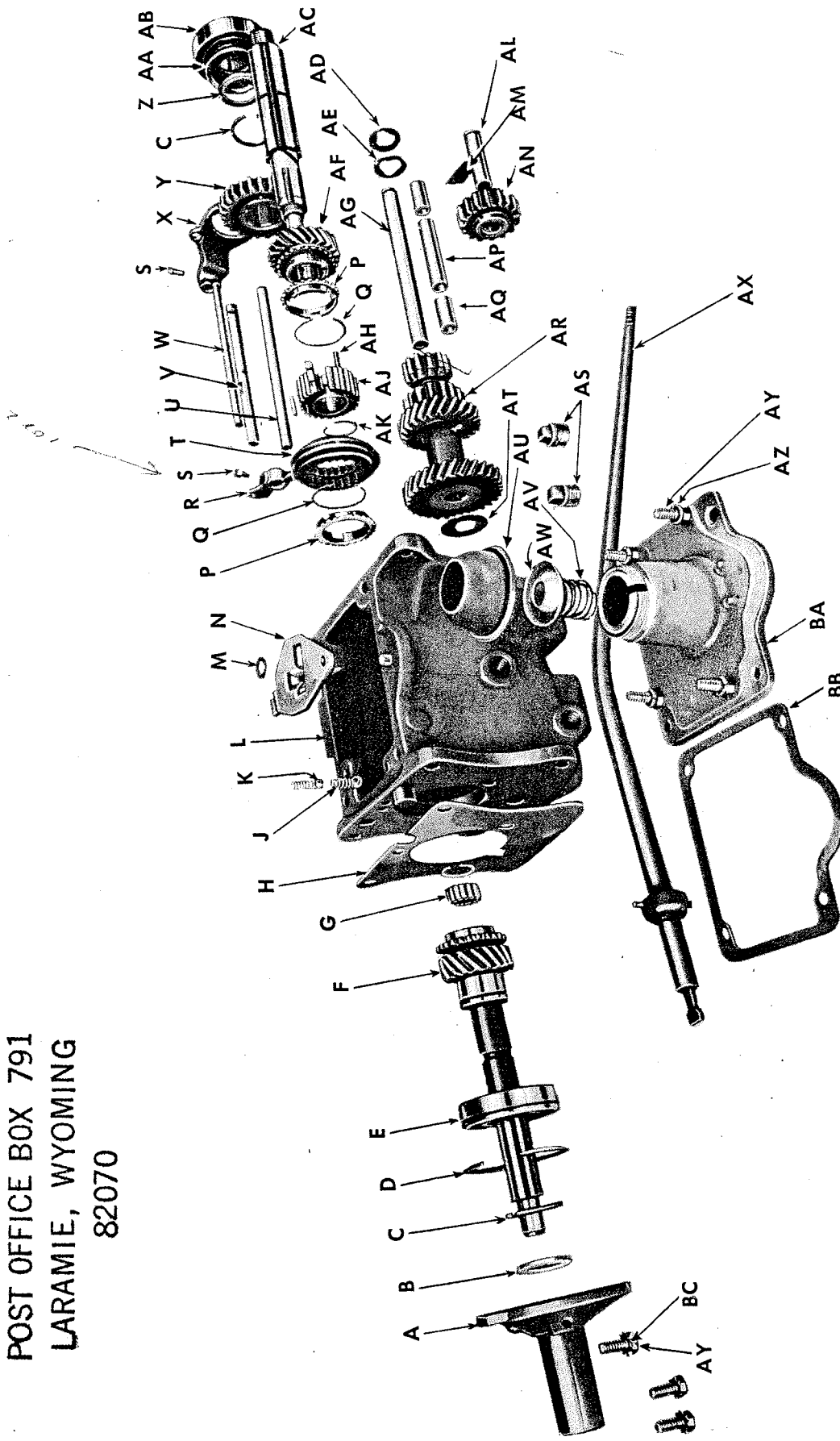
FIGURE 07-1—TRANSMISSION ASSEMBLY—SECTIONAL VIEW

POST OFFICE BOX 791  
LARAMIE, WYOMING

82070

SNL G-503

126



RA PD 342287

FIGURE 07-2—TRANSMISSION ASSEMBLY—EXPLODED VIEW

Key	Part Name	Ford Part No.	Willlys Part No.	Group No.	Key	Part Name	Ford Part No.	Willlys Part No.	Group No.
A	RETAINER	FM-GPW-7050	WO-640017	0703	AC	SHAFT	FM-GPW-7061	WO-A-519	0704
B	OIL SEAL	FM-GPW-7052	WO-640018	0703	AD	WASHER	FM-GPW-7126	WO-A-879	0704C
C	SNAP RING	FM-GPW-7064	WO-635844	0703	AE	WASHER	FM-GPW-7129-A	WO-635811	0704C
D	SNAP RING	FM-B-7070	WO-635846	0703	AF	GEAR	FM-GPW-7102	WO-638798	0704
E	BEARING	FM-GPW-7025-A	WO-636885	0703	AG	COUNTERSHAFT	FM-GPW-7111	WO-638948	0704C
F	GEAR	FM-GPW-7017	WO-A-5554	0703	AH	PLATE	FM-GPW-7116	WO-637832	0704
G	BEARING	FM-GPW-7120	WO-639422	0703	AJ	HUB	FM-GPW-7105	WO-A-6319	0704
H	GASKET	FM-GPW-7051-B	WO-637495	0701	AK	SNAP RING	FM-GPW-7059	WO-637835	0704
J	SPRING	FM-GPW-7234	WO-635837	0706B	AL	SHAFT	FM-GPW-7140	WO-638952	0704C
K	BALL	FM-353081-S	WO-635838	0706B	AM	PLATE	FM-GPW-7155	WO-638949	0704C
L	CASE, assembly	FM-GPW-7005	WO-A-1148	0701	AN	GEAR	FM-GPW-7141	WO-636882	0704C
M	SPRING	FM-GPW-7208	WO-635839	0706A	AP	SPACER	FM-GPW-7115	WO-A-880	0704C
N	PLATE	FM-GPW-7211-B	WO-A-7260	0706A	AQ	BUSHING	FM-GPW-7121	WO-A-878	0704C
P	RING	FM-GPW-7107	WO-637834	0704	AR	GEAR	FM-GPW-7113	WO-A-8977	0704C
Q	SPRING	FM-GPW-7109	WO-637831	0704	AS	PLUG	FM-353064	WO-5140	0701
R	FORK	FM-GPW-7230	WO-636196	0706C	AT	WASHER	FM-GPW-7119	WO-635812	0704C
S	SCREW	FM-GPW-7245	WO-636200	0706C	AU	CAP	FM-BB-7220	WO-A-1379	0706A
T	SLEEVE	FM-GPW-7106	WO-637833	0704	AV	SPRING	FM-GPW-7227	WO-392328	0706A
U	RAIL	FM-GPW-7241	WO-A-1155	0706B	AW	WASHER	FM-BB-7228	WO-635863	0706A
V	RAIL	FM-GPW-7240	WO-A-1156	0706B	AX	LEVER	FM-GPW-7210-A	WO-A-1380	0706A
W	PIN	FM-GPW-7206	WO-635836	0706C	AY	BOLT	FM-20366-S	WO-6428	0706A
X	FORK	FM-GPW-7231	WO-636197	0706C	AZ	WASHER	FM-34806-S7	WO-51833	0706A
Y	GEAR	FM-GPW-7100	WO-636879	0704	BA	HOUSING, assembly	FM-GPW-7204	WO-635857	0706A
Z	SPACER	FM-GPW-7062	WO-A-738	0704	BB	GASKET	FM-GPW-7223	WO-635861	0706A
AA	WASHER	FM-GPW-7080	WO-A-410	0704	BC	WASHER	FM-34941-S7	WO-53029	0703
AB	BEARING	FM-GP-7065	WO-A-916	0704					

FIGURE 07-2A—LEGEND FOR 07-2—TRANSMISSION ASSEMBLY—EXPLODED VIEW

**GROUP 07 — TRANSMISSION**

Figure Number	Official Stock Number	Piece Mark or Part Number		ITEM	Quant. Reqd. per Unit Assy.	Unit Price
		Ford No.	Willys No.			
Col. 1	Col. 2	Col. 3	Col. 4	Col. 5	Col. 6	Col. 7
				<b>GROUP 07 — TRANSMISSION</b> <b>0700 — TRANSMISSION ASSEMBLY</b>		
01-1	9410-AS2-T-84-J	FM-GPW-7000 FM-24489-S FM-355597-S FM-24409-S7 FM-33800-S7 FM-34807-S2	WO-A-7596 WO-A-1145 WO-52379 WO-630101 WO-6606 WO-52542 WO-5010	TRANSMISSION, w/release BEARING, assembly (includes: clutch release BEARING, clutch bearing CARRIER, clutch bearing carrier SPRING, clutch control LEVER, clutch control lever CABLE) TRANSMISSION, w/gear shift LEVER, assembly (WG-AS2-T-84-J) BOLT, hex-hd., S, $\frac{3}{8}$ x 24NF-2 x 1 $\frac{1}{2}$ BOLT, hex-hd., S, $\frac{3}{8}$ x 24NF-2 x 2 $\frac{1}{8}$ (dowel) BOLT, hex-hd., S, cd-pltd., $\frac{3}{8}$ x 24NF-2 x 1 $\frac{1}{2}$ NUT, reg., hex., S, cd-pltd., $\frac{3}{8}$ x 24NF-2 WASHER, lock, S, SAE std., $\frac{3}{8}$ in.	1 1 2 2 4 8 8	47.26
07-1, 2	9410-AT-84-J-1A	FM-GPW-7005-A FM-GPW-7005	WO-A-1148	<b>0701 — CASE</b> CASE, transmission CASE, transmission, assembly (WG-T-84-J-1A) (includes: oil retaining CUP and countershaft washer PIN)	1 1	8.31
07-2	9410-T-84D-14C	FM-GPW-7051-B FM-GPW-18356	WO-637495 WO-A-1542	GASKET, transmission case to flywheel housing (Victorite, 0.015 thk.) (WG-T84D-14C) (also in GASKET SET, FM-GPW-18356-B, WO-A-7832) GASKET SET, transmission (superseded by GASKET SET, FM-GPW-18356-B, WO-A-7832)	1 1	
		FM-GPW-7223 FM-GPW-7051-B FM-GPW-7756 FM-GPW-18356-B	WO-635861 WO-637495 WO-A-1435 WO-A-7832	(Consists of: 1 GASKET, gearshift lever housing 1 GASKET, main drive gear bearing retainer 1 GASKET, transmission to transfer case) GASKET SET, transmission (supersedes GASKET SET, FM-GPW-18356, WO-A-1542)	1	
		FM-GPW-7051-B FM-GPW-7223 FM-GPW-7052 FM-GPW-7207 FM-353064-S	WO-637495 WO-635861 WO-640018 WO-635862 WO-5140	(Consists of: 1 GASKET, case to flywheel housing 1 GASKET, gearshift lever housing 1 OIL SEAL, main gear bearing retainer 1 PACKING, gearshift lever housing) PLUG, drain and filler, transmission (pipe, sq-hd., I, $\frac{1}{2}$ in.)	2	.0125
07-2	H012-1340035	FM-GPW-7025		<b>0703 — MAIN DRIVE GEAR AND BEARINGS</b> BEARING, transmission main drive gear (FB-1207-GF) (superseded by BEARING, FM-GPW-7025-A, WO-636885)	1	1.19

07-1, 2	H012-1340035	FM-GPW-7025-A	WO-636885	BEARING, ball, annular, single row, single oil shield, snap ring groove (2.834 O.D. x 1.378 I.D.) (transmission main drive gear) (FB-1207-MGF) (WG-X-3204-ML) (supersedes BEARING, FM-GPW-7025)	1	.0033
07-1, 2	9410-T-84G-26	FM-GPW-7120	WO-639422	BEARING, roller, S, spherical end type, 0.527 lgth. x 0.1875 diam. (transmission main drive gear pilot) (BN-C-1110-Q) (WG-T-84G-26)	13	4.94
07-1, 2	9410-T-84J-16A	FM-GPW-7017	WO-A-5554	GEAR, main drive, transmission (S, 17 teeth, 2.048 O.D.) (WG-T-84J-16A)	1	6.304
07-2	3320-GPW-7015	FM-GPW-7015	WO-A-5553	GEAR, main drive, transmission, w/BEARINGS, assembly (WG-AT-84J-16A)	1	.0047
07-1, 2	9410-T-84J-54	FM-GPW-7052	WO-640018	OIL SEAL, transmission main drive gear bearing retainer (WG-T-84J-54) (also in GASKET SET, FM-GPW-18356-B, WO-A-7832)	1	1.19
07-2	9410-T-84J-6	FM-GPW-7050	WO-640017	RETAINER, transmission main drive gear bearing (WG-T-84J-6)	3	.0019
07-2	H001-1013018	FM-20366-S	WO-6428	BOLT, hex-hd., S, 5/16-18NC-2 x 7/8 (GM-106325)	3	.0192
07-2	9410-T-84-17	FM-34941-S7	WO-53029	WASHER, lock, S, cd-pltd., external tooth, flat type, 5/16 in.	1	.0217
07-2	G104-1769814	FM-GPW-7064	WO-635844	SNAP RING, transmission main drive gear (1 1/8 in. I.D.) (WG-T-84-17)	1	.0018
	9410-T-84G-25	FM-B-7070	WO-635846	SNAP RING, transmission main drive gear bearing (2 11/16 in. I.D.) (WG-B-7070)	1	
		FM-GPW-7063	WO-639423	SNAP RING, transmission main drive gear pilot roller bearing (1.062 O.D.) (WG-T-84G-25)	1	
<b>0704—MAIN SHAFT, GEARS AND BEARINGS</b>						
07-1, 2	H012-1314035	FM-GP-7065	WO-A-916	BEARING, ball, annular, single row, 1.378 bore, 3.1496 O.D., 0.8268 width (transmission main shaft, rear end) (MRC-307) (SKF-6307-Z) (ND-7607)	1	1.45
	9410-T-84C-19	FM-GPW-7104	WO-635820	BUSHING, transmission main shaft second speed gear (superseded by BUSHING, FM-GPW-7104-A, WO-640006)	1	.0448
07-1, 2	9410-T-84F-12A	FM-GPW-7100	WO-640006	BUSHING, transmission main shaft second speed gear (WG-T-84C-19) (supersedes BUSHING, FM-GPW-7104, WO-635820)	1	
07-1, 2	9410-T-84F-11A	FM-GPW-7102	WO-636879	GEAR, sliding, transmission main shaft, low and reverse (3.265 O.D. x 1 1/4 thk., 25 teeth) (WG-T-84F-12A)	1	1.89
07-1, 2	9410-T-84J-2 1/2	FM-GPW-7105	WO-638798	GEAR, transmission main shaft, second speed, w/BUSHING, assembly (2.090 O.D., 24 teeth) (WG-T-84F-11A)	1	2.79
07-2	9410-T-84F-13	FM-GPW-7082	WO-A-6319	HUB, transmission main shaft second and high speed clutch (WG-T-84J-2 1/2)	1	1.906
07-2	9410-T-84F-14	FM-GPW-7116	WO-A-15428 *	OIL SEAL, transmission main shaft (Note 1)	1	.0039
07-1, 2	9410-T-84H-2	FM-GPW-7107	WO-637832	PLATE, shifting, transmission main shaft synchronizer (WG-T-84F-13)	3	.424
		FM-GPW-7061	WO-637834	RING, blocking, transmission main shaft synchronizer (WG-T-84F-14)	2	3.44
		FM-GPW-7060	WO-A-519	SHAFT, main, transmission (dld. f/c-pin) (WG-T-84F-12)	1	
07-1, 2	9410-T-84F-15	FM-GPW-7106	WO-A-518	SHAFT, main, transmission, w/GEARS, assembly	1	11.47
07-2	9410-4886	FM-GPW-7059	WO-A-6317	SHAFT, main, transmission, w/GEARS, and blocking RING, assembly (WG-1AT-84H-2)	1	1.564
07-2	3320-GPW-7062	FM-GPW-7062	WO-637833	SLEEVE, transmission main shaft second and high speed clutch (WG-T-84F-15)	1	.0124
07-2	9410-4682-K	FM-GPW-7062-B	WO-637835	SNAP RING, transmission main shaft second and high speed clutch hub (1 1/2 in. I.D.) (WG-4686)	1	.0885
		FM-GPW-7109	WO-A-738	SPACER, transmission main shaft bearing (WG-T-84J-28)	1	.0036
		FM-GPW-7124	A-15427	SPACER, transmission main shaft bearing (Note 1)	1	
07-1, 2;	9410-T-84H-137	FM-GPW-7080	WO-637831	SPRING, transmission main shaft synchronizer (WG-4682-K)	2	3.54
08-1, 2			WO-A-6318	SYNCHRONIZER, transmission main shaft, w/blocking RING, assembly (WG-1AT-84J-2 1/2)	1	.0143
			WO-A-410	WASHER, oil retaining, transmission main shaft (WG-T-184H-137)	2	

Note 1 — Used in only transmission with raised "H" on case near filler hole.

GROUP 07—TRANSMISSION (Cont'd)

Figure Number	Official Stock Number	Piece Mark or Part Number		ITEM	Quant. Reqd. per Unit Assy.	Unit Price
		Ford No.	Willlys No.			
Col. 1	Col. 2	Col. 3	Col. 4	Col. 5	Col. 6	Col. 7
				<b>0704C—COUNTERSHAFT AND REVERSE IDLER SHAFTS, GEARS AND BEARINGS</b>		
07-2	9410-T-84J-187 9410-T-84-85A	FM-GPW-7121 FM-GPW-7143	WO-A-878	BUSHING, transmission countershaft gear (WG-T-84J-167) BUSHING, transmission reverse idler gear (superseded by BUSHING, FM-GPW-7143-A, WO-635804)	2	.166
	9410-T-84-85A	FM-GPW-7143-A	WO-635804	BUSHING, transmission reverse idler gear (WG-T-84-85A) (supersedes BUSHING, FM-GPW-7143)	1	.045
07-1, 2	9410-T-84G-J3	FM-GPW-7111	WO-638948 WO-A-739	COUNTERSHAFT, transmission (WT-T-84G-J3) GEAR, cluster, transmission countershaft, w/BUSHING and SPACER, assembly (WG-AT-84F-8)	1	.619
07-1, 2	9410-T-84J-8 9410-AT-84F-10A	FM-GPW-7113 FM-GPW-7141	WO-A-8977 WO-636882	GEAR, cluster, transmission countershaft GEAR, transmission reverse idler, w/BUSHING, assembly (O.D. 2.167 x 0.996 thk., 16 teeth) (WG-AT-84F-10A)	1	6.47
07-2	9410-T-84J-31	FM-357417-S	WO-A-524	PIN, transmission countershaft washer (WG-T-84J-31)	1	1.63
07-2	9410-T-84G-48	FM-GPW-7155	WO-638949	PLATE, lock, transmission countershaft and reverse idler shaft (WG-T-84G-48)	1	.0167
07-2	9410-T-84G-J35	FM-GPW-7140	WO-638952	SHAFT, transmission reverse idler gear (WG-T-84G-J35)	1	.195
07-2	9410-T-84G-28	FM-GPW-7115	WO-A-880	SPACER, transmission countershaft gear bushing (WG-T-84J-28)	1	.126
07-1, 2	9410-T-84B-30A 9410-T-84-29	FM-GPW-7119 FM-GPW-7129	WO-635812	WASHER, thrust, transmission countershaft, front (WG-T-84B-30A) WASHER, thrust, transmission countershaft, rear (superseded by WASHER, FM-GPW-7129-A, WO-635811)	1	.0318
07-1, 2	9410-T-84-29	FM-GPW-7129-A	WO-635811	WASHER, thrust, transmission countershaft, rear (bz.) (WG-T-84-29) (supersedes WASHER, FM-GPW-7129)	1	.0432
07-1, 2	9410-T-84J-29	FM-GPW-7126	WO-A-879	WASHER, thrust, transmission countershaft, rear (S) (WG-T-84J-29)	1	.101
				<b>0706A—GEARSHIFT LEVER AND PARTS</b>		
07-1, 2	9410-C8-2 1/2 8080-39Q20 9410-4496K	FM-GPW-7217 FM-GPW-7213 FM-BB-7220 FM-GPW-111286-A3 FM-GPW-7223	WO-A-1381 WO-A-971 WO-A-1379 WO-A-3783 WO-635861	BALL, fulcrum, transmission gearshift lever (WG-C8-2 1/2) BALL, transmission gearshift lever (rubber) CAP, transmission gearshift lever housing (WG-4496-K) COVER, transmission gearshift lever housing (rubber) GASKET, transmission gearshift lever housing (WG-T-84-115) (also in GASKET SET, FM-GPW-18356-B, WO-A-7832)	1 1 1 1	.0833 .285
07-2	9410-T-84-115	FM-GPW-7204	WO-635857	HOUSING, transmission gearshift lever, assembly (includes: PLATES and RIVET)	1	.006
07-1, 2	9410-T-84A-148 H001-1013018 H001-7025711 9410-AC-84J-2A	FM-20366-S FM-34806-S7 FM-GPW-7210	WO-6428 WO-51833	BOLT, hex-hd., S, 5/16-18NC-2 x 7/8 (GM-106325) WASHER, lock, S, cd-pltd., SAE std., 5/16 in. LEVER, transmission gearshift	1 4 4 1	2.183



01-1; 07-1, 2; 18-1	9410-4611	FM-GPW-7210-A	WO-A-1380	LEVER, transmission gearshift, assembly (WG-AC-84J-2A)	1	1.42
	9410-T-84-30	FM-GPW-7207	WO-635862	PACKING, transmission gearshift lever housing (also in GASKET SET, FM-GPW-18356-B, WO-A-7832)	1	.0041
	9410-C-84B-12A	FM-357418-S	WO-635840	PIN, fulcrum, transmission gearshift lever guide plate (WG-T-84-30)	1	.0508
	9410-T-84B-32	FM-GPW-7221	WO-A-1382	PIN, transmission gearshift lever fulcrum ball (WG-C-84B-12A)	1	.0559
	9410-T-84B-25	FM-GPW-7214	WO-635859	PLATE, guide, transmission gearshift lever (WG-T-84B-32) (superseded by PLATE, FM-GPW-7211-B, WO-A-7260)	1	.0585
	3320-GPW-7216	FM-GPW-7216	WO-A-7261	PLATE, guide, transmission gearshift lever (superseded by PLATE, FM-GPW-7211-B, WO-A-7260)	1	
07-1, 2		FM-GPW-7211-B	WO-A-7260	PLATE, guide, transmission gearshift lever (WG-AT-84I-25) (supersedes PLATE, FM-GPW-7214, WO-635859 and WO-635841, and FM-GPW-7216, WO-A-7261)	1	.538
07-2	9410-T-84-31	FM-62216-S	WO-635860	RIVET, S, fl-hd., $\frac{3}{8}$ x $\frac{1}{16}$ (transmission gearshift lever housing) (WG-X-3089BH)	2	.0163
07-1, 2	9410-4498K	FM-GPW-7208	WO-635839	SPRING, transmission gearshift lever guide plate (WG-T-84-31)	1	.0274
07-1, 2	9410-4497	FM-GPW-7227	WO-392328	SPRING, support, transmission gearshift lever (WG-4498K)	1	
		FM-BB-7228	WO-635863	WASHER, transmission gearshift lever housing cap (WG-4497)	1	.03
07-2	9410-X2136	FM-353081-S	WO-635838	BALL, poppet, transmission gearshift rail (S, $\frac{3}{8}$ O.D.) (WG-X-2136)	2	
	9410-4684	FM-GPW-7056	WO-637503	CUP, oil retaining, transmission second and high speed gearshift rail	1	.094
07-1, 2	9410-T-84J-86A	FM-GPW-7233	WO-A-1385	PLUNGER, transmission gearshift rail interlock (WG-84J-86A)	1	.0663
07-2	9410-T-84J-21A	FM-GPW-7240	WO-A-1156	RAIL, shift, transmission low speed and reverse gear (WG-T-84J-21)	1	.619
07-2	9410-T-84J-20A	FM-GPW-7241	WO-A-1155	RAIL, shift, transmission second and high speed gear (WG-T-84J-20A)	1	.733
07-2	9410-T-84-42	FM-GPW-7234	WO-635837	SPRING, transmission gearshift rail poppet ball (WG-T-84-42)	2	.0096
07-1, 2	9410-T-84C-24A	FM-GPW-7231	WO-636197	FORK, shift, transmission low speed and reverse gear (WG-T-84C-24A)	1	1.091
07-2	9410-T-84C-23A	FM-GPW-7230	WO-636196	FORK, shift, transmission second and high speed gear (WG-T-84C-23A)	1	.847
07-2	9410-T-8422	FM-GPW-7206	WO-635836	PIN, guide, transmission gearshift fork (WG-T-84-22)	1	.123
07-2	G503-7002601	FM-GPW-7245	WO-636200	SCREW, lock, transmission gearshift fork (WG-4418-M)	2	.0347
01-2	G503-0131675	FM-GPW-7700	WO-A-1195	CASE, transfer, assembly (for use with external contracting type hand brake)	1	72.46
		FM-24408-S	WO-52911	BOLT, hex-hd., S, $\frac{3}{8}$ -16NC-2 x 1 $\frac{1}{2}$	5	
		FM-24388-S7	WO-51405	BOLT, hex-hd., S, cd-pltd., $\frac{3}{8}$ -16NC-2 x 1	1	
	H001-1518009	FM-34807-S2	WO-5010	WASHER, lock, S, SAE std., $\frac{3}{8}$ in.	6	
	3320-GPW-7704-D	FM-GPW-7704B	WO-A-8859	CASE, transfer, w/hand BRAKE, assembly (for use with internal expanding type hand brake)	1	

**0706B—GEARSHIFT RAILS AND PARTS**

**0706C—GEARSHIFT FORKS**

**GROUP 08—TRANSMISSION TRANSFER CASE**

**0800—TRANSFER CASE ASSEMBLY**

**GROUP 08—TRANSMISSION TRANSFER CASE (Cont'd)**

Figure Number	Official Stock Number	Piece Mark or Part Number		I T E M	Quant. Reqd. per Unit Assy.	Unit Price
		Ford No.	Willlys No.			
Col. 1	Col. 2	Col. 3	Col. 4	Col. 5	Col. 6	Col. 7
	8080-BM117	FM-GPW-18355	WO-A-1543	<b>0800—TRANSFER CASE ASSEMBLY (Cont'd)</b> GASKET SET, transfer case overhaul (superseded by GASKET SET, FM-GPW-18355-B, WO-A-7443)	1	
				(Consists of:		
		FM-GP-7746	WO-A-1134	2 GASKET, output shaft oil seal		
		FM-GPW-7773	WO-A-957	1 GASKET, output shaft front bearing cap		
		FM-GP-7709	WO-A-954	1 GASKET, transfer case bottom cover		
		FM-GPW-7703	WO-A-1509	1 GASKET, transfer case rear cover		
		FM-GPW-7756	WO-A-1435	1 GASKET, transfer case to transmission		
		FM-GP-7770-A	WO-A-958	2 OIL SEAL, output shaft		
		FM-GP-7798	WO-A-974	2 OIL SEAL, shift rod		
	H013-0500007	FM-GPW-18355-B	WO-A-7443	GASKET SET, transfer case overhaul (supersedes GASKET SET, FM-GPW-18355, WO-A-1543)	1	.244
				(Consists of:		
		FM-CPW-7773	WO-A-957	1 GASKET, output shaft front bearing cap		
		FM-GPW-7707	WO-A-1509	1 GASKET, rear cover		
		FM-GPW-7709	WO-A-954	1 GASKET, bottom cover		
		FM-GP-7746	WO-A-1134	2 GASKET, oil seal		
		FM-GPW-7756	WO-A-1435	1 GASKET, transfer case to transmission		
	3320-GPW-18317	FM-GPW-18317	WO-A-7445	OIL SEAL SET, transfer case	1	.912
				(Consists of:		
		FM-GP-7770-A	WO-A-958	2 OIL SEAL, output shaft		
		FM-GP-7798-A	WO-A-974	2 OIL SEAL, shift rod		
				<b>0801—CASE AND COVERS</b>		
				BREATHER, transfer case, assembly (SP-5951X)	1	5.685
08-2	8080-5951X	FM-GPW-7754	WO-A-934	CAP, transfer case output shaft front bearing (SP-18-19-8)	1	.0125
08-1, 2	8080-18-19-8	FM-GPW-7774	WO-A-956	BOLT, hex-hd., S, head did. f/c-pin, 3/8-16NC-3 x 1 (SP-122-D)	5	.0042
	G102-0305579	FM-355554-S	WO-A-1136	WASHER, flat, copper, 5/64 I.D. x 5/8 O.D. x 1/2 thk. (SP-477W)	5	
	G102-0306828	FM-356205-S	WO-A-1135	CAP, transfer case output shaft rear bearing, less bushing	1	
		FM-GPW-7769	WO-A-9077	CAP, transfer case output shaft rear bearing, w/BUSHING, assembly (SP-6452X)	1	2.704
08-2; 12-6	3320-GPW-7768	FM-GPW-7768	WO-A-1507	(Note 1)	1	.0125
				BOLT, hex-hd., S, head did. f/c-pin, 3/8-16NC-3 x 1 (SP-122-D)	1	.0258
	G102-0305579	FM-355554-S	WO-A-1136	BOLT, hex-hd., S, head did. f/c-pin, 3/8-16NC-3 x 2 (SP-634-D)	3	.0042
	8080-SP634-D	FM-355533-S	WO-A-1137	WASHER, flat, copper, 5/64 I.D. x 5/8 O.D. x 1/2 thk. (SP-477W)	4	
	G102-0306828	FM-356205-S	WO-A-1135			

Note 1—For use with external contracting type hand brake.

Key	Part Name	Ford Part No.	Willlys Part No.	Group Number
A	COVER.....	FM-GPW-7706.....	WO-A-1508.....	.0801
B	NUT.....	FM-356134-S18.....	WO-A-520.....	.0802
C	GEAR.....	FM-GP-7722.....	WO-A-1510.....	.0802
D	BEARING.....	FM-GP-7065.....	WO-A-916.....	.0704
E	SHIELD.....	FM-GPW-7080.....	WO-A-410.....	.0704
F	GEAR.....	FM-GP-7742.....	WO-A-999.....	.0804
G	BEARING.....	FM-GP-7718-A.....	WO-A-924.....	.0804
H	SHAFT.....	FM-GP-7743.....	WO-A-998.....	.0804
J	GEAR.....	FM-GPW-7762.....	WO-A-992.....	.0803
K	SHAFT.....	FM-GP-7761.....	WO-A-975.....	.0803
L	BEARING.....	FM-GP-7719.....	WO-A-1007.....	.0803
M	OIL SEAL.....	FM-GP-7770-A.....	WO-A-958.....	.0803
N	SHIELD.....	FM-GP-7776.....	WO-A-1111.....	.0803
P	YOKE.....	FM-GP-7729.....	WO-A-1106.....	.0803
Q	NUT.....	FM-356125-S.....	WO-A-980.....	.0803
R	CAP.....	FM-GPW-7774.....	WO-A-956.....	.0801
S	CUP.....	FM-01Y-1202.....	WO-52883.....	.0803
T	CONE and ROLLERS.....	FM-GP-7723.....	WO-51575.....	.0803
U	GEAR.....	FM-GP-7766.....	WO-A-989.....	.0803
V	GEAR.....	FM-GP-7765.....	WO-A-988.....	.0803
W	SHAFT.....	FM-GP-7763.....	WO-A-1764.....	.0803
X	GEAR.....	FM-GP-17285.....	WO-A-1511.....	.0810
Y	GEAR.....	FM-GPW-17271.....	WO-A-1512.....	.0810
Z	CASE.....	FM-GPW-7705.....	WO-A-1503.....	.0801

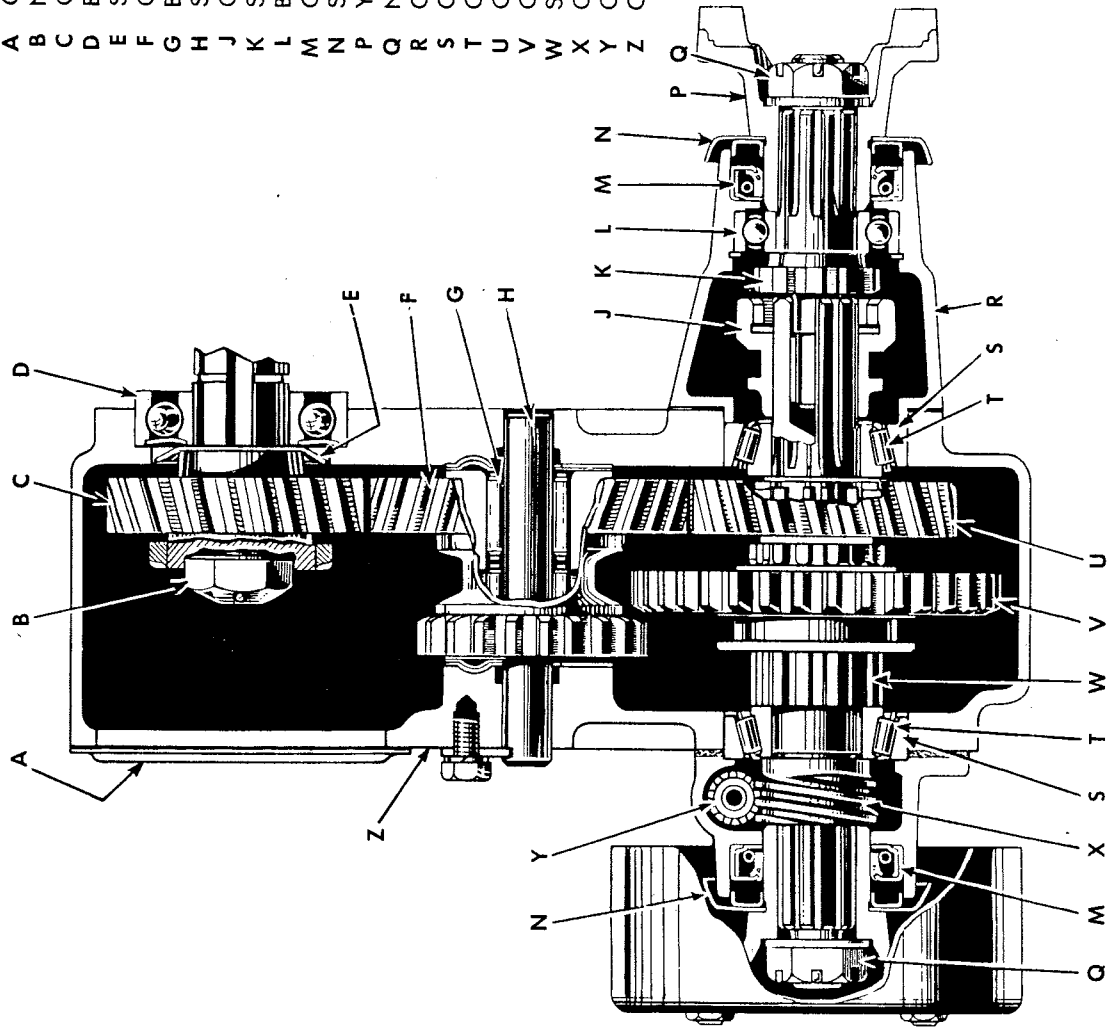
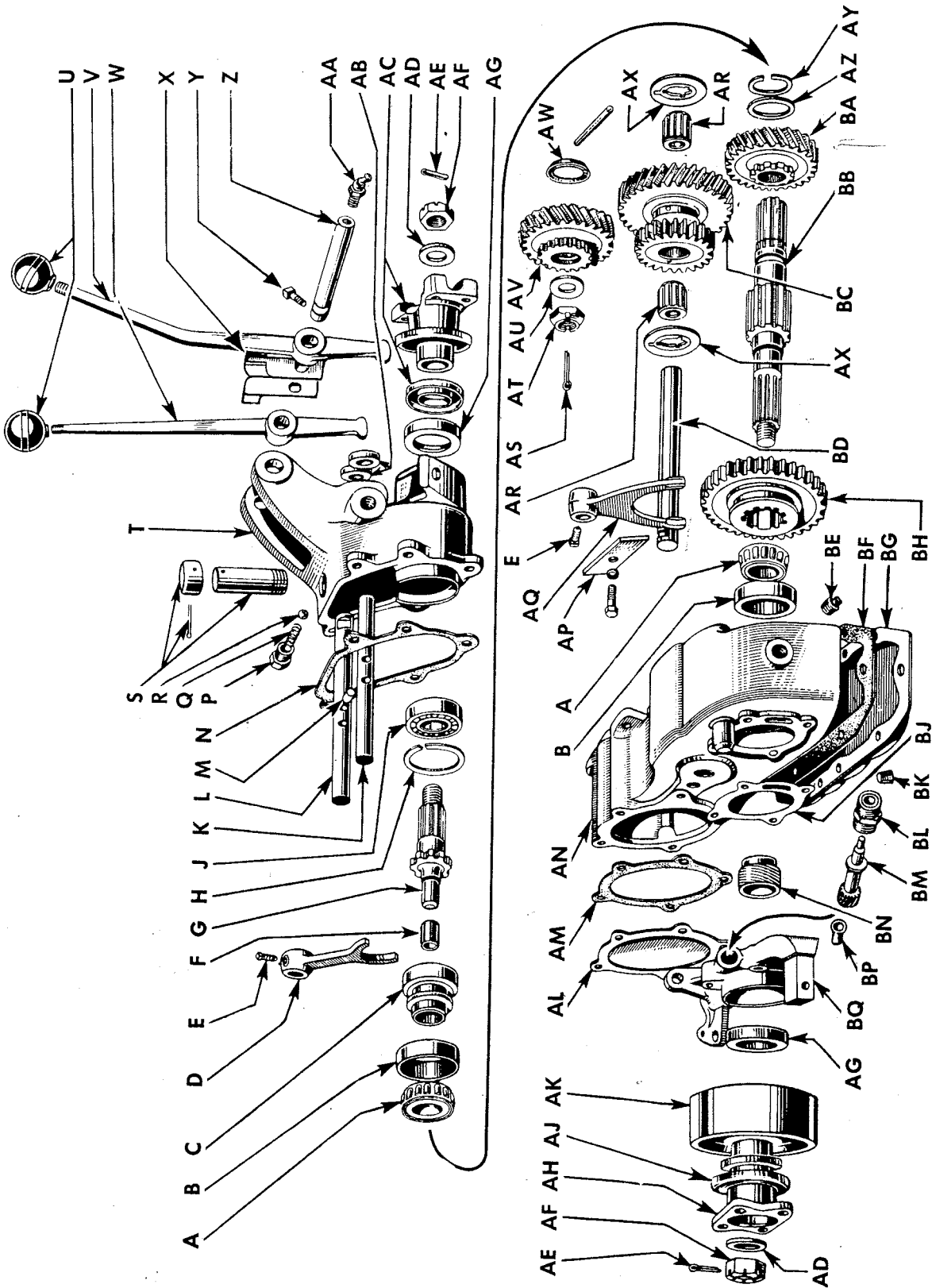


FIGURE 08-1—TRANSFER CASE ASSEMBLY—SECTIONAL VIEW



RA PD 342241

FIGURE 08-2—TRANSFER CASE ASSEMBLY—EXPLODED VIEW

Key	Part Name	Ford Part No.	Willlys Part No.	Group Number	Key	Part Name	Ford Part No.	Willlys Part No.	Group Number
A	CONE and ROLLERS	FM-GP-7723	WO-51575	0803	AJ	SHIELD	FM-GP-7776	WO-A-1111	0803
B	CUP	FM-01Y-1202	WO-52883	0803	AK	DRUM	FM-GP-2614	WO-A-1002	1201
C	GEAR	FM-GP-7762	WO-A-992	0803	AL	COVER	FM-GPW-7706	WO-A-1508	0801
D	FORK	FM-GPW-7711	WO-A-960	0805A	AM	GASKET	FM-GPW-7707	WO-A-1509	0801
E	SCREW	FM-355550-S	WO-A-963	0805A	AN	CASE	FM-GPW-7705	WO-A-1503	0801
F	BUSHING	FM-GP-7777-A	WO-A-987	0803	AP	PLATE	FM-GP-7767	WO-A-1001	0804
G	SHAFT	FM-GP-7761	WO-A-975	0803	AQ	FORK	FM-GP-7712	WO-A-959	0805A
H	SNAP RING	FM-GP-7783	WO-A-976	0803	AR	BEARING	FM-GP-7718-A	WO-A-924	0804
J	BEARING	FM-GP-7719	WO-A-1007	0803	AS	PIN	FM-72089-S	WO-5134	0802
K	ROD	FM-GPW-7786	WO-A-1504	0805	AT	NUT	FM-356134-S18	WO-A-520	0802
L	ROD	FM-GP-7787	WO-A-962	0805	AU	WASHER	FM-356519-S	WO-A-1410	0802
M	INTER LOCK	FM-GP-7789	WO-A-965	0805	AV	GEAR	FM-GP-7722	WO-A-1510	0802
N	GASKET	FM-GPW-7773	WO-A-957	0801	AW	WASHER	FM-GPW-7080	WO-A-410	0704
P	PLUG	FM-355698-S	WO-A-967	0805	AX	WASHER	FM-GP-7744	WO-A-1000	0804
Q	SPRING	FM-GP-7788	WO-A-966	0805	AY	SNAP RING	FM-GP-7784	WO-A-991	0803
R	BALL	FM-353075-S	WO-5599	0805	AZ	WASHER	FM-GP-7771	WO-A-990	0803
S	BREATHER, assembly	FM-GPW-7754	WO-A-934	0801	BA	GEAR	FM-GP-7766	WO-A-989	0803
T	CAP	FM-GPW-7774	WO-A-956	0801	BB	SHAFT	FM-GPW-7736	WO-A-8841	0803
U	BALL	FM-GP-7213	WO-A-971	0805B	BC	GEAR	FM-GP-7742	WO-A-999	0804
V	LEVER	FM-GPW-7793	WO-A-1505	0805B	BD	SHAFT	FM-GP-7743	WO-A-998	0804
W	LEVER	FM-GPW-7710	WO-A-1506	0805B	BE	PLUG	FM-353064-S	WO-5140	0801
X	SPRING	FM-GP-7799	WO-A-970	0805B	BF	GASKET	FM-GP-7709	WO-A-954	0801
Y	SCREW	FM-355378-S	WO-A-973	0805B	BG	COVER	FM-GP-7708	WO-A-953	0801
Z	PIN	FM-GP-7796	WO-A-972	0805B	BH	GEAR	FM-GP-7765	WO-A-988	0803
AA	FITTING	FM-353035-A-58	WO-638224	0805B	BJ	SHIM SET	FM-GPW-18360	WO-A-6753	0801
AB	SEAL	FM-GP-7798-A	WO-A-974	0805	BK	PLUG	FM-353053	WO-A-1104	0801
AC	YOKE	FM-GP-7729	WO-A-1106	0803	BL	SLEEVE	FM-GPW-17333	WO-636396	0810
AD	WASHER	FM-356504-S	WO-636570	0803	BM	GEAR	FM-GPW-17271	WO-A-1512	0810
AE	PIN	FM-72089-S	WO-5134	0803	BN	GEAR	FM-GP-17285	WO-A-1511	0810
AF	NUT	FM-356125-S	WO-A-980	0803	BP	BUSHING	FM-GP-17277	WO-A-985	0810
AG	OIL SEAL	FM-GP-7770-A	WO-A-958	0803	BQ	CAP, w/BUSHING, assembly	FM-GPW-7768	WO-A-1507	0801
AH	FLANGE	FM-GP-4863	WO-A-1105	0803					

FIGURE 08-2A—LEGEND FOR 08-2—TRANSFER CASE ASSEMBLY—EXPLODED VIEW

GROUP 08—TRANSMISSION TRANSFER CASE (Cont'd)

Figure Number	Official Stock Number	Piece Mark or Part Number		ITEM	Quant. Reqd. per Unit Assy.	Unit Price
		Ford No.	Willlys No.			
Col. 1	Col. 2	Col. 3	Col. 4	Col. 5	Col. 6	Col. 7
12-3	3320-GPW-7768	FM-GPW-7768-B	WO-A-9330	<b>0801—CASE AND COVERS (Cont'd)</b> CAP, transfer case output shaft rear bearing, w/BUSHING, assembly (SP-18-19-28) (Note 1)	1	
12-3		FM-350280-S FM-350281-S FM-350282-S FM-356205-S	WO-A-9336 WO-A-9337 WO-A-9334 WO-A-1135	BOLT, hex-hd., S, dld. f/lkg-wire, 3/8-16NC-3 x 1 BOLT, hex-hd., S, dld. f/lkg-wire, 3/8-16NC-3 x 2 1/2 BOLT, hex-hd., S, dld. f/lkg-wire, 3/8-16NC-3 x 2 1/2 WASHER, flat, copper, 3/8 I.D. x 5/8 O.D. x 1/8 thk. WIRE, locking	1 1 2 4	.0042
08-1, 2 08-2	8080-18-15-9	FM-GPW-7705 FM-GP-7708	WO-A-9331 WO-A-1503 WO-A-953	CASE, transfer (SP-18-15-9) COVER, transfer case, bottom (SP-18-16-3)	1 1	11.11 .554
08-1, 2	H001-7025711	FM-20326-S7 FM-34806-S7 FM-GPW-7706	WO-51485 WO-51833 WO-A-1508	BOLT, hex-hd., S, cd-pitd., 3/8-18NC-2 x 5/8 WASHER, lock, reg, S, cd-pitd., 3/8 in. COVER, transfer case, rear (SP-18-267-4)	10 10 1	.179
08-2	H001-1518007 8080-18-155-2	FM-24348-S FM-34807-S FM-GP-7709	WO-6412 WO-5010 WO-A-954	BOLT, hex-hd., S, 3/8-16NC-2 x 3/4 WASHER, lock, reg, S, 3/8 in. GASKET, transfer case bottom cover (SP-18-155-2) (also in GASKET SET, FM-GPW-18355-B, WO-A-7443)	5 5 1	.0585
08-2	8080-18-223-2	FM-GPW-7773	WO-A-957	GASKET, transfer case output shaft front bearing cap (SP-18-223-2) (also available in GASKET SET, FM-GPW-18355-B, WO-A-7443)	1	
08-2	8080-18-324-2	FM-GPW-7707	WO-A-1509	GASKET, transfer case rear cover (SP-18-324-2) (also in GASKET SET, FM-GPW-18355-B, WO-A-7443)	1	.0112
08-2	8080-18-352-5	FM-GPW-7756	WO-A-1435	GASKET, transfer case to transmission (SP-18-352-5) (also in GASKET SET, FM-GPW-18355-B, WO-A-7443)	1	
08-2	8080-18-228-7	FM-353053-S FM-353064-S FM-GP-7782-A	WO-A-1104 WO-5140 WO-A-982	PLUG, drain, transfer case (pipe, I., ck-hd., 1/2 in.) (SP-18-39-2) PLUG, filler, transfer case (pipe, sq-hd., I., 1/2 in.) SHIM, transfer case output shaft rear bearing cap (0.003 thk.) (SP-18-228-7) (also in SHIM SET, FM-GPW-18360, WO-A-6753)	1 1 1	.0125
08-2	8080-18-228-8	FM-GP-7782-B	WO-A-983	SHIM, transfer case output shaft rear bearing cap (0.010 thk.) (SP-18-228-8) (also in SHIM SET, FM-GPW-18360, WO-A-6753)	as req.	
08-2	8080-18-228-9	FM-GP-7782-C	WO-A-984	SHIM, transfer case output shaft rear bearing cap (0.031 thk.) (SP-18-228-9) (also in SHIM SET, FM-GPW-18360, WO-A-6753)	as req.	
08-2	3320-GPW-18360	FM-GPW-18360	WO-A-6753	SHIM SET, transfer case output shaft rear bearing cap (Consists of: 4 SHIM (0.003 thk.) 2 SHIM (0.010 thk.) 2 SHIM (0.031 thk.))	as req.	.179

0802—DRIVE GEAR

08-1, 2	8080-18-8-7	FM-GP-7722	WO-A-1510	GEAR, drive, transfer case (O.D. 4.104 in., 27 teeth) (SP-18-8-7)	1	4.06
08-1, 2	H001-0811055	FM-356134-S18	WO-A-520	NUT, transmission mainshaft (S, hex., slotted, 7/16 NC-2) (WG-T-9-50P)	1	
08-2	9410-T84J-50 1/2-A	FM-72089-S	WO-5134	PIN, cotter, split, S, 1/8 x 1 3/4	1	
08-2		FM-356519-S	WO-A-1410	WASHER, transmission mainshaft nut (S, plain, 1 1/8 O.D. x 2 3/8 I.D. x 3/8 thk.) (WG-T-84J-50 1/2-A)	1	
<b>0803—OUTPUT SHAFT, GEARS, BEARINGS</b>						
08-1, 2	H012-1303030	FM-GP-7719	WO-A-1007	BEARING, ball, annular, single row, bore 1.1811 x 0.6299 (transfer case output clutch shaft) (MRC-206) (SKF-6206) (ND-3206)	1	.88
08-2	8080-18-24-1	FM-GP-7777	WO-A-987	BUSHING, transfer case output clutch shaft pilot (superseded by BUSHING, FM-GP-7777-A, WO-A-981)	1	.0492
08-1, 2	H012-6136260	FM-GP-7777-A	WO-A-987	BUSHING, transfer case output clutch shaft pilot (SP-18-24-1) (supersedes BUSHING, FM-GP-7777)	1	.0492
08-1, 2	H012-6217320	FM-GP-7723	WO-51575	CONE and ROLLERS, transfer case output shaft bearing (1.3125 diam. x 0.740 wide) (TIM-14131) (BT-BT-14131)	2	.44
08-1, 2	8080-K2-1-28	FM-O1Y-1202	WO-52883	CUP, transfer case output shaft bearing (TIM-14276) (BT-BT-14276)	2	.192
08-2, 09-1, 12-3	8080-K2-1-28-X	FM-GP-4863	WO-A-1105	FLANGE, companion, transfer case output shaft, rear (SP-K2-1-28) (for use with external contracting type hand brake)	1	1.86
08-1, 2;	3320-GPW-4863	FM-GPW-4863	WO-116714	FLANGE, companion, transfer case output shaft, rear, w/SHIELD, assembly (SP-K2-1-28-X) (contracting type brake)	1	
12-3	8080-1244	FM-356125-S	WO-A-980	FLANGE, companion, transfer case output shaft, rear (SP-K2-1-68X) (for use with internal expanding type brake)	1	.0167
08-2, 12-3	H001-0811055	FM-72089-S	WO-5134	NUT, hex., slotted, S, 3/4-20NF-3 (SP-1244)	1	
12-3	8080-18-223-3	FM-356504-S	WO-636570	PIN, cotter, split, S, 1/8 x 1 3/4	1	.0217
08-1, 2	8080-18-166-1	FM-GP-7746	WO-A-1134	WASHER, special, flat	1	
08-1, 2	8080-18-8-2	FM-GP-7762	WO-A-992	GASKET, transfer case output shaft front and rear bearing cap oil seal (SP-18-223-3) (also in GASKET SET, FM-GPW-18355-B, WO-A-7443)	2	
08-1, 2	8080-18-8-1	FM-GP-7765	WO-A-988	GEAR, clutch, transfer case output shaft (10 internal teeth, 1.088 bore x 1.755 wide face, 2.411 diam.) (SP-18-466-1)	1	2.12
08-1, 2	H013-0500068	FM-GP-7766	WO-A-989	GEAR, sliding, transfer case output shaft (5.571 O.D. x 1.192 wide, 27 teeth) (SP-18-8-2)	1	5.001
08-1	8080-5866X	FM-GP-7770-A	WO-A-958	GEAR, transfer case output shaft (4.101 O.D., 1.250 bore x 1.713, 27 teeth) (SP-18-8-1)	1	3.83
08-2	G503-7036544	FM-GP-7763	WO-A-1764	OIL SEAL, transfer case output shaft front and rear bearing cap (SP-62-463-2) (also in OIL SEAL SET, FM-GPW-18317, WO-A-7445)	2	
08-1, 2	8080-18-362-3	FM-GPW-7736	WO-A-8841	SHAFT, output, transfer case, w/BUSHING, assembly	1	5.865
3320-GPW-7726	3320-GPW-7726	FM-GP-7761	WO-A-975	SHAFT, transfer case output clutch (SP-18-362-3)	1	2.71
3320-GP-7747	3320-GP-7747	FM-GPW-7726	WO-A-8835	SHAFT, transfer case output clutch, w/NUT and WASHER	1	
8080-5962X	8080-5962X	FM-GP-7747	WO-A-978	SHIELD, dust, transfer case companion flange and universal joint end yoke (superseded by SHIELD, FM-GP-7776, WO-A-1111)	2	.038
08-1, 2	8080-5962X	FM-GP-7776	WO-A-1111	SHIELD, dust, transfer case companion flange and universal joint end yoke (SP-5962-X) (supersedes SHIELD, FM-GP-7747, WO-A-978)	2	.0906

Note 1—For use with internal expanding type hand brake.

**GROUP 08—TRANSMISSION TRANSFER CASE (Cont'd)**

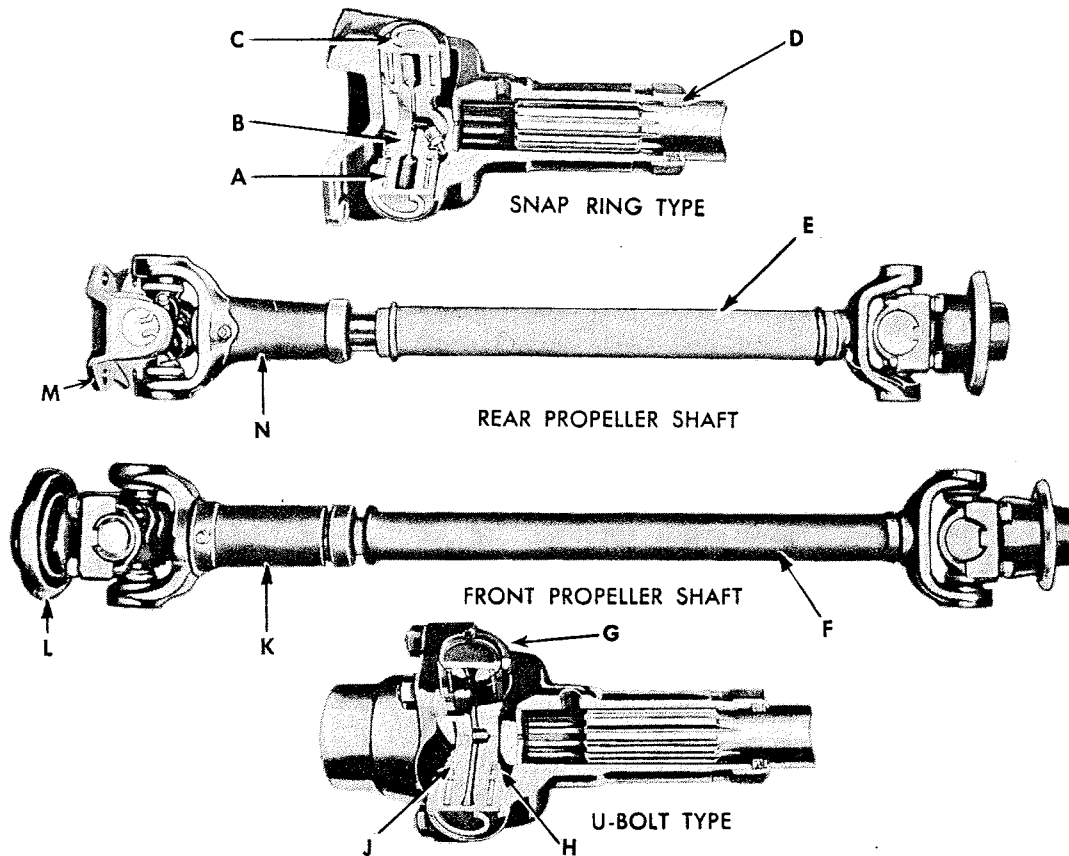
Figure Number	Official Stock Number	Piece Mark or Part Number		ITEM	Quant. Reqd. per Unit Assy.	Unit Price
		Ford No.	Willys No.			
Col. 1	Col. 2	Col. 3	Col. 4	Col. 5	Col. 6	Col. 7
<b>0803—OUTPUT SHAFT, GEARS, BEARINGS (Cont'd)</b>						
08-2	8080-22-381-19	FM-GP-7783	WO-A-976	SNAP RING, transfer case output clutch shaft bearing (SP-22-381-19)	1	.0251
08-2	8080-18-381-2	FM-GP-7784	WO-A-991	SNAP RING, transfer case output shaft (SP-18-381-2)	1	.0212
08-2	8080-710-W	FM-GP-7771	WO-A-990	WASHER, thrust, transfer case output shaft (SP-710-W)	1	.0542
01-2, 08-1, 2	8080-K2-4-88X	FM-GP-7729	WO-A-1106	YOKE, end, universal joint, transfer case, front (SP-K2-4-88X)	1	1.645
08-2	H001-0811055	FM-356125-S FM-72089-S FM-356504-S	WO-A-980 WO-5134 WO-636570	NUT, hex., slotted, S, 3/4-20NF-3 PIN, cotter, split, S, 1/8 x 1 3/4 WASHER, special, flat, 3/4 in.	1 1 1	.0167 .0217
<b>0804—INTERMEDIATE SHAFT, GEAR, AND BEARINGS</b>						
08-1, 2	H012-0708218	FM-GP-7718-A	WO-A-924	BEARING, transfer case intermediate shaft gear (HY-94322)	2	.228
08-1, 2	8080-18-5-1	FM-GP-7742	WO-A-999	GEAR, transfer case intermediate shaft (O.D. 4.962, 33 teeth) (SP-18-5-1)	1	7.20
08-2	8080-31-246-2	FM-GP-7767	WO-A-1001	PLATE, lock, transfer case intermediate shaft (SP-31-246-2)	1	.0046
08-1, 2	H001-1518009	FM-24328-S FM-34807-S2	WO-52189 WO-5010	BOLT, hex-hd., S, 3/8-16NC-2 x 5/8 WASHER, lock, S, SAE std., 3/8 in.	1 1	.244
08-2	8080-18-187-1	FM-GP-7743	WO-A-998	SHAFT, transfer case, intermediate (SP-18-187-1)	1	.179
08-2	8080-690-W	FM-GP-7744	WO-A-1000	WASHER, thrust, transfer case intermediate shaft gear (SP-690-W)	2	
<b>0805—SHIFTER RODS AND PARTS</b>						
08-2	H002-0100140	FM-353075-S	WO-5599	BALL, poppet, transfer case shift rod (SP-50-80-1) (S, 3/8 in.)	2	.0133
08-2	H013-0500007	FM-GP-7789 FM-GP-7798	WO-A-965	INTERLOCK, transfer case shift rod (SP-18-12-1) OIL SEAL, transfer case shift rod (SP-13-463-1) (superseded by OIL SEAL, FM-GP-7798-A, WO-A-974)	1 2	.0872
08-2	H013-0500007	FM-GP-7798-A1	WO-A-974	OIL SEAL, transfer case shift rod (superseded by OIL SEAL, FM-GP-7798-A, WO-A-974)	2	
08-2	8080-854-D	FM-355698-S	WO-A-967	OIL SEAL, transfer case shift rod (SP-13-463-1) (also in OIL SEAL SET, FM-GPW-18317, WO-A-7445) (supersedes OIL SEAL, FM-GP-7798 and FM-GP-7798-A1)	2	.0217
08-2	8080-18-67-5	FM-GPW-7786	WO-A-1504	PLUG, transfer case shift rod poppet (SP-854-D)	2	.782
08-2	8080-18-67-2	FM-GP-7787	WO-A-962	ROD, shift, transfer case, direct and underdrive (SP-18-67-5)	1	.635
08-2	G102-0306647	FM-GP-7788	WO-A-966	ROD, shift, transfer case, front wheel drive (SP-18-67-2)	1	.0083
08-2	G102-0307508	FM-GP-7788	WO-A-964	SPRING, transfer case shift rod poppet (SP-22-72-5) WIRE, lock, transfer case shift fork (16 gage) (SP-LW-1)	2 2	



0805A—FORKS

08-2	8080-18-66-1	FM-GP-7712	WO-A-959	FORK, transfer case shift rod, direct and underdrive (SP-18-66-1)	1	.961
08-2	8080-18-66-7	FM-GPW-7711	WO-A-960	FORK, transfer case shift rod, front wheel drive (SP-18-66-7)	1	1.026
08-2		FM-355550-S	WO-A-963	SCREW, set, S, $\frac{3}{8}$ -24NF, head did., f/c-pin, $\frac{3}{4}$ in. diam. (SP-7450)	2	.0258
<b>0805B—SHIFT LEVER AND PARTS</b>						
08-2	8080-39-Q-20	FM-GP-7213	WO-A-971	BALL, transfer case shift lever handle (SP-39-Q-20)	2	
08-2		FM-353035-S8	WO-638224	FITTING, grease, 45 degree (transfer case shift lever pivot pin) (AD-1636)	1	.0591
	3320-GPW-1101735-A	FM-GPW-1101735-A	WO-A-3784	GROMMET, transfer case shift levers (leather)	1	.358
01-2, 08-2,	8080-25-Q-1055	FM-GPW-7793	WO-A-1505	LEVER, shift, transfer case, direct and underdrive (SP-25-Q-1055)	1	1.14
18-1						
01-2, 08-2,	8080-25-Q-1056	FM-GPW-7710	WO-A-1506	LEVER, shift, transfer case, front wheel drive (SP-25-Q-1056)	1	1.14
18-1						
08-2	8080-363-SP	FM-GP-7796	WO-A-972	PIN, pivot, transfer case shift lever (SP-363-SP)	1	.179
08-2	8080-433-D	FM-355378-S	WO-A-973	SCREW, set, sq-hd., S, $\frac{5}{16}$ -18NC-2 x $\frac{1}{2}$ (SP-433-D)	1	.0167
08-2	G160-038972	FM-GP-7799	WO-A-970	SPRING, transfer case shift lever (SP-97-Q-13)	2	.0104
<b>0809—MOUNTINGS</b>						
	3320-355741-S	FM-355741-S	WO-A-147	BOLT, support, transfer case (hex-hd., S, $\frac{1}{2}$ -20NF x 3)	1	.0641
	G085-2307356	FM-38846-S2	WO-5916	NUT, reg., hex., S, $\frac{1}{2}$ -20NF-2	1	
	H001-1518011	FM-34809-S	WO-5009	WASHER, lock, S, SAE std., $\frac{1}{2}$ in.	1	
	3320-GPW-5084	FM-356524-S	WO-634762	WASHER, S, $1\frac{1}{2}$ O.D. x $2\frac{1}{8}$ I.D. x $\frac{1}{16}$ thk.	1	.0125
	3320-74-6038	FM-GPW-5084	WO-A-6740	CUP, retaining, transfer case support insulator	1	.0498
		FM-74-6038		INSULATOR, transfer case support (superseded by INSULATOR, FM-74-6038-A, WO-634758)	1	.167
	3320-74-6038-A	FM-74-6038-A	WO-634758	INSULATOR, transfer case support (supersedes INSULATOR, FM-74-6038)	1	
	3320-GPW-7781-A	FM-GPW-7781-A	WO-634759	SNUBBER, transfer case support insulator	1	.0782
<b>0810—SPEEDOMETER DRIVE GEARS</b>						
08-2	G067-2300040	FM-GP-17277	WO-A-985	ADAPTER, speedometer (ORD-B7044232) (Note 1)	1	
08-1, 2	8080-18-452-2	FM-GP-17285	WO-A-1511	BUSHING, speedometer drive gear, transfer case (SP-475-2) (also in GEAR SET, FM-GPW-18314, WO-A-7837)	1	
08-1, 08-2,	8080-18-453-3	FM-GPW-17271	WO-A-1512	GEAR, drive, speedometer, transfer case (SP-18-452-2) (also in GEAR SET, FM-GPW-18314, WO-A-7837)	1	
12-3	3320-GPW-18314	FM-GPW-18314	WO-A-7837	GEAR, driven, speedometer, transfer case (SP-18-453-3) (also in GEAR SET, FM-GPW-18314, WO-A-7837)	1	.145
				(Consists of:		
		FM-GP-17277	WO-A-985	1 BUSHING		
		FM-GP-17285	WO-A-1511	1 GEAR, drive		
		FM-GPW-17271	WO-A-1512	1 GEAR, driven		
		FM-GPW-17333	WO-636396	SLEEVE, speedometer driven gear, transfer case (SP-18-454-2)	1	.228

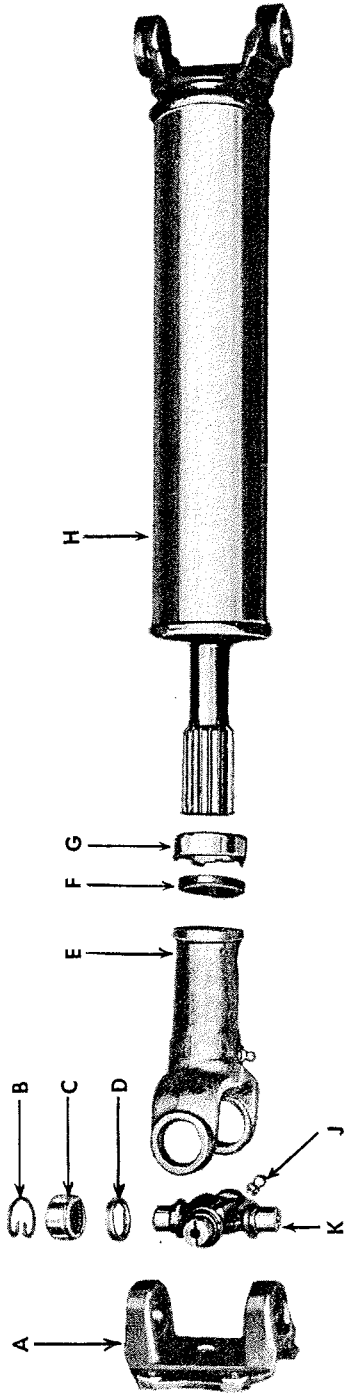
Note 1—Only for vehicles modified by MVO ORD G503-W9. (See page 3).



Key	Part Name	Ford Part No.	Willys Part No.	Group No.
A	BEARING	FM-GPW-7074	WO-A-8270	0902
B	JOURNAL	FM-GPW-7084	WO-A-1426	0902
C	SNAP RING	FM-01Y-7096	WO-A-945	0902
D	WASHER	FM-GP-7097	WO-A-943	0902
E	TUBE	FM-GPW-4605	WO-A-1429	0901
F	TUBE	FM-GPW-3370	WO-A-1428	0901
G	U-BOLT	FM-01Y-4529	WO-A-490	0902
H	RETAINER	FM-01Y-7083	WO-A-940	0902
J	GASKET	FM-01T-7078-A	WO-A-941	0902
K	SHAFT, assembly	FM-GPW-3365	WO-A-1326	0901
L	FLANGE	FM-GP-4863	WO-A-1105	0803
M	YOKE	FM-GP-4866	WO-A-950	0902
N	SHAFT, assembly	FM-GPW-4602	WO-A-1327	0901

RA PD 342274

FIGURE 09-1—PROPELLER SHAFTS AND UNIVERSAL JOINTS



Key	Part Name	Ford Part No.	Willlys Part No.	Group Number
A	YOKE	FM-GP-4866	WO-A-950	0902
B	SNAP RING	FM-01Y-7096	WO-A-945	0902
C	BEARING	FM-GPW-7074	WO-A-8270	0902
D	RETAINER	FM-01Y-7083	WO-A-940	0902
E	YOKE	FM-GP-4841	WO-A-935	0902
F	WASHER	FM-GP-7097	WO-A-943	0902
G	CAP	FM-GP-7077	WO-A-942	0902
H	TUBE	FM-GPW-4605	WO-A-935	0901
J	FITTING	FM-353043-57	WO-638792	0902
K	JOURNAL	FM-GPW-7084	WO-A-1426	0902

RA PD 342226

FIGURE 09-2—REAR PROPELLER SHAFT AND UNIVERSAL JOINT

GROUP 09—PROPELLER SHAFT AND UNIVERSAL JOINTS

Figure Number	Official Stock Number	Piece Mark or Part Number		ITEM	Quant. Reqd. per Unit Assy.	Unit Price
		Ford No.	Willlys No.			
Col. 1	Col. 2	Col. 3	Col. 4	Col. 5	Col. 6	Col. 7
09-1	8080-8996-SF	FM-GPW-3365	WO-A-1326	<b>GROUP 09—PROPELLER SHAFT AND UNIVERSAL JOINTS</b> 0901—PROPELLER SHAFT ASSEMBLIES SHAFT, propeller, front, assembly (SP-8996-SF)	1	10.52
09-1	8080-8897-SF	FM-GPW-4602	WO-A-1327		1	12.28

**GROUP 09—PROPELLER SHAFT AND UNIVERSAL JOINTS (Cont'd)**

Figure Number	Official Stock Number	Piece Mark or Part Number		I T E M	Quant. Reqd. per Unit Assy.	Unit Price
		Ford No.	Willlys No.			
Col. 1	Col. 2	Col. 3	Col. 4	Col. 5	Col. 6	Col. 7
09-1 09-1, 9-2	G503-7036583 3320-GPW-4605	FM-GPW-3370 FM-GPW-4605	WO-A-1428 WO-A-1429	<b>0901—PROPELLER SHAFT ASSEMBLIES (Cont'd)</b> TUBE, front propeller shaft, assembly (SP-K2-62-210-212-1907) TUBE, rear propeller shaft, assembly (SP-K2-62-210-212-1718)	1 1	3.54
09-1, 2 09-2 09-2 09-1 09-1, 2	G104-1531588 H002-0504203 G104-2194015 G104-1648701	FM-GPW-7074 FM-GP-7077 FM-353043-S7 FM-O1T-7078-A FM-GPW-7084 FM-GPW-18397	WO-A-1434 WO-A-942 WO-638792 WO-A-941 WO-A-1426	<b>0902—UNIVERSAL JOINTS</b> BEARING, universal joint, assembly (also in KIT, FM-21C-18397-B, WO-A-1433) CAP, dust, propeller shaft sleeve yoke (SP-K2-14-69) FITTING, grease, ¼-28NF (AD-1641) (GM-110347) GASKET, propeller shaft universal joint trunnion (SP-KS-86-89) JOURNAL, universal joint, assembly (also in KIT, FM-21C-18397-B, WO-A-1433) KIT, repair, propeller shaft universal joint (superseded by KIT, FM-21C-18397-B, WO-A-1433)	16 2 4 16 4	.0494
09-1, 2 09-1 09-1, 2 09-1, 2	G104-1648701 G104-1648701 G104-1769782 G104-1767649 G104-1769782	FM-21C-18397-B FM-GPW-7074 FM-GPW-7084 FM-O1Y-7096 FM-O1Y-7083 FM-GP-7733 FM-O1Y-7096	WO-A-1433 WO-A-1434 WO-A-1426 WO-A-945 WO-A-940 WO-A-979 WO-A-945	KIT, repair, propeller shaft universal joint (SP-K5-21-X) (supersedes KIT, FM-21C-18397-B, WO-A-1433) (Consists of: 4 BEARING, assembly 1 JOURNAL, assembly 4 SNAP RING) RETAINER, propeller shaft universal joint trunnion gasket (SP-K2-76-17) SHIELD, dust, propeller shaft flange SNAP RING, propeller shaft universal joint trunnion bearing (SP-K2-7-29) (also in KIT, FM-21C-18397-B, WO-A-1433)	1 16 1	2.085
09-1 09-1, 2 09-1, 2	G085-2212230 H001-7025711 C104-1842846	FM-O1Y-4529 FM-33784-S2 FM-GP-4533 FM-34806-S7 FM-GP-7097	WO-A-490 WO-A-941 WO-51833 WO-A-943	U-BOLT, propeller shaft universal joint bearing (5/16-24NF) (SP-K2-94-29) NUT, reg., hex., S, 5/16-24NF-3 (SP-5-74-11) STRAP, propeller shaft universal joint U-bolt nut WASHER, lock, S, cd-pltd., SAE std., 5/16 in. WASHER, seal, propeller shaft sleeve yoke (cork, split, 1 I.D. x 1 3/4 O.D. x 5/16 thk.) (SP-K2-16-53)	10 6 12 3 12	.0217 .0641 .0104
09-1, 2 09-2	G104-1882251 3320-GP-7092 G104-1882330	FM-GP-4866 FM-GP-7092 FM-GP-4841	WO-A-950 WO-A-936 WO-A-935	YOKE, flange, propeller shaft (SP-K2-2-329) YOKE, sleeve, propeller shaft, assembly YOKE, sleeve, propeller shaft, w/PLUG, assembly (SP-K2-3-198X)	2 1 2 2	.0129 1.352 1.81

## GROUP 10—FRONT AXLE

### 1000—FRONT AXLE ASSEMBLY

	WO-A-1212		1
	WO-A-1387		1
	WO-A-1765		1
	WO-A-6442		1
	WO-A-6029		1
	FM-GPW-3001		1
3320-GPW-3001			1
	WO-A-5498		1

AXLE, front, assembly (Bendix joints) (SP-2058-1) (Note 1) . . . . .

AXLE, front, assembly (Rzeppa joints) (SP-7658-2) (Note 1) . . . . .

AXLE, front, assembly (Spicer joints) (SP-SKA-34172) (Note 1) . . . . .

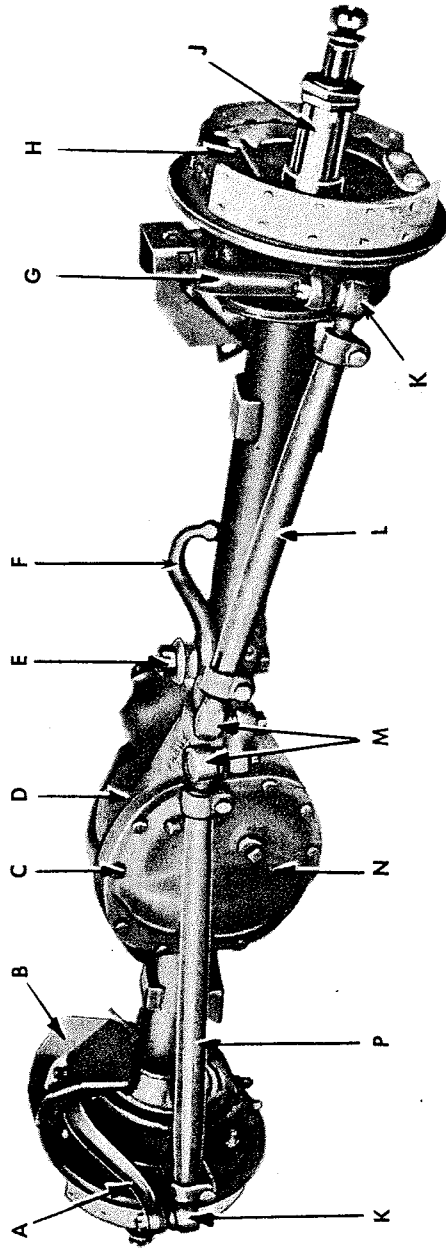
AXLE, front, assembly (Tracta joints) (Note 1) . . . . .

AXLE, front, w/BRAKES, DRUMS and HUBS, assembly (WO-A-6029 has either Tracta or Bendix universal joints; FM-GPW-3001 has Rzeppa universal joints. Complete assemblies are interchangeable) . . . . .

AXLE, front, w/BRAKES, DRUMS and HUBS, assembly (Bendix joints) (Note 2) . . . . .

154.25

**Note 1**—These four axles are interchangeable as assemblies. **Note 2**—These three axles are interchangeable as assemblies.



Key	Part Name	Ford Part No.	Willlys Part No.	Group No.	Key	Part Name	Ford Part No.	Willlys Part No.	Group No.
A	ARM	FM-GP-3112	WO-A-1710	1006	H	BRAKE, assembly (L.H.)	FM-GPW-2011	WO-A-1496	1200
B	GUARD	FM-GPW-2096	WO-A-1457	1209B	J	SPINDLE, assembly	FM-GP-3105	WO-A-851	1006
C	BOLT	FM-20046-S2	WO-51523	1001	K	END, assembly	FM-GP-3292	WO-A-847	1402
D	HOUSING, w/TUBE, assembly	FM-GPW-3074	WO-A-1703	1001	L	TUBE	FM-GPW-3282	WO-A-1709	1402
E	NUT	FM-356124-S	WO-A-876	1401	M	END, assembly	FM-GP-3291	WO-A-838	1402
F	CRANK, bell	FM-GPW-3131-B	WO-A-8249	1401	N	COVER	FM-GP-4016-A	WO-A-10231	1001
G	ARM	FM-GPW-3113	WO-A-1712	1006	P	TUBE	FM-GP-3281	WO-A-1705	1402

**FIGURE 10-1—FRONT AXLE ASSEMBLY AND STEERING LINKAGE**

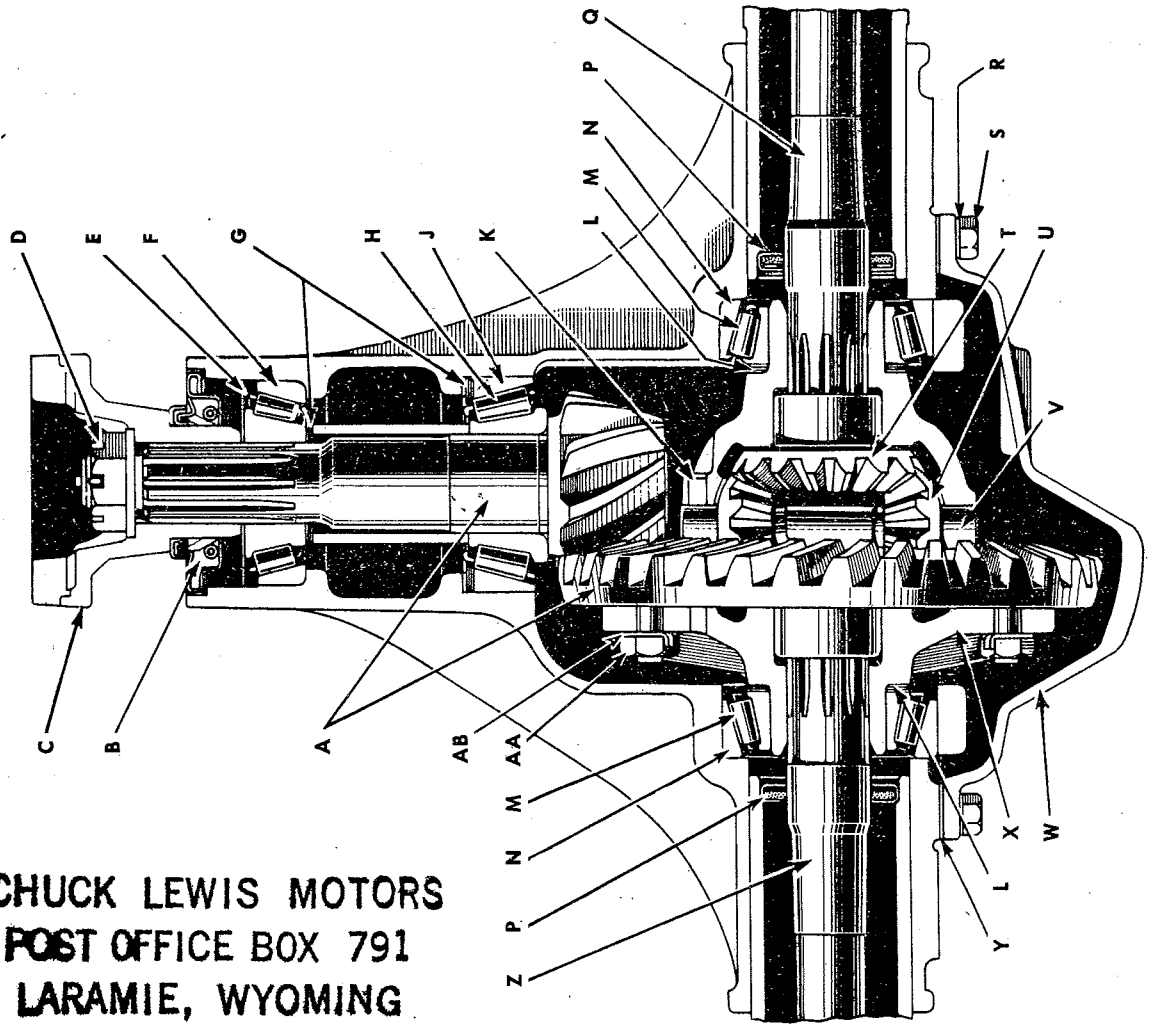
**GROUP 10—FRONT AXLE (Cont'd)**

Figure Number	Official Stock Number	Piece Mark or Part Number		ITEM	Quant. Reqd. per Unit Assy.	Unit Price
		Ford No.	Willlys No.			
Col. 1	Col. 2	Col. 3	Col. 4	Col. 5	Col. 6	Col. 7
	9680-A-1544			<p><b>1000—FRONT AXLE ASSEMBLY (Cont'd)</b></p> <p>AXLE, front, w/ BRAKES, DRUMS and HUBS, assembly (Rzeppa joints) (Note 2) . . . . .                      AXLE, front, w/ BRAKES, DRUMS and HUBS, assembly (Tracta joints) (Note 2) . . . . .                      GASKET SET, front axle (superseded by GASKET SET, FM-GPW-18365-B, WO-A-7830)                      (Consists of:                      1 GASKET, axle housing cover                      2 GASKET, steering knuckle oil seal                      1 GASKET, drive pinion shaft oil seal                      2 OIL SEAL, axle shaft, inner end                      2 OIL SEAL, axle shaft, outer end                      2 OIL SEAL, bell crank bearing                      1 OIL SEAL, drive pinion shaft                      4 OIL SEAL, felt, steering knuckle                      2 OIL SEAL, wheel bearing                      4 STRIP, pressure, steering knuckle oil seal)                      GASKET SET, front axle (superseded by GASKET SET, FM-GPW-18365-B, WO-A-7830)                      (Consists of:                      2 BUSHING, axle shaft                      1 GASKET, axle housing cover                      1 GASKET, drive pinion shaft oil seal                      2 GASKET, steering knuckle oil seal                      2 OIL SEAL, axle shaft, inner end                      2 OIL SEAL, bell crank bearing                      1 OIL SEAL, drive pinion shaft                      4 OIL SEAL, felt, steering knuckle                      2 OIL SEAL, wheel bearing                      4 STRIP, pressure, steering knuckle oil seal)                      GASKET SET, front axle (supersedes GASKET SET, WO-A-1544 and FM-GPW-18365, WO-A-6792) . . . . .                      (Consists of:                      1 GASKET, axle housing cover                      1 GASKET, drive pinion shaft oil seal                      2 GASKET, steering knuckle oil seal                      2 OIL SEAL, bell crank bearing                      4 OIL SEAL, felt, steering knuckle                      2 OIL SEAL, wheel bearing                      4 STRIP, pressure, steering knuckle oil seal)</p>	1 1 1	
		FM-GP-4035 FM-GP-1092 FM-GP-4661 FM-GP-3034 FM-GP-3031-A FM-GPW-3167 FM-GP-7676-A FM-GP-3135 FM-GP-1177 FM-GP-3139 FM-GPW-18365	WO-A-5499 WO-A-6470 WO-A-1544 WO-A-782 WO-A-820 WO-636565 WO-A-779 WO-A-778 WO-A-858 WO-639265 WO-A-819 WO-A-864 WO-A-818 WO-A-6792			
		FM-GP-4035 FM-GP-4661 FM-GP-1092 FM-GP-3034 FM-GPW-3167 FM-GP-4676-A FM-GP-3135 FM-GP-1177 FM-GP-3139 FM-GPW-18365-B	WO-A-782 WO-636565 WO-A-820 WO-A-858 WO-A-819 WO-A-864 WO-A-818 WO-A-7830			
	3320-CPW-18365-B				1	.521

Note 2—These three axles are interchangeable as assemblies.



CHUCK LEWIS MOTORS  
 POST OFFICE BOX 791  
 LARAMIE, WYOMING  
 82070



Key	Part Name	Ford Part No.	Willlys Part No.	Group No.
A	GEAR SET	FM-GPW-14209	WO-A-789	1003
B	OIL SEAL	FM-GP-4676-A	WO-639265	1003
C	YOKE	FM-GP-4842	WO-A-1445	1003
D	NUT	FM-356126-S	WO-636569	1003
E	CONE and ROLLERS	FM-GP-4630	WO-52878	1003
F	CUP	FM-GP-4628	WO-52879	1003
G	SHIM SET	FM-GPW-18386	WO-A-6745	1003
H	CONE and ROLLERS	FM-86H-4621	WO-52876	1003
J	CUP	FM-86H-4616	WO-52877	1003
K	PIN	FM-GP-4241	WO-636360	1003
L	SHIM SET	FM-GPW-18388	WO-A-6744	1003
M	CONE and ROLLERS	FM-GP-4221	WO-52880	1003
N	CUP	FM-GP-4222	WO-52881	1003
P	OIL SEAL	FM-GP-3034	WO-A-779	1007
Q	SHAFT	FM-GP-3017-A	WO-A-1729	1007
R	WASHER	FM-34941-S7	WO-53029	1001
S	BOLT	FM-20046-S2	WO-51523	1001
T	GEAR	FM-GPW-4236	WO-A-794	1003
U	PINION	FM-GPW-4215	WO-A-796	1003
V	SHAFT	FM-GP-4211	WO-A-798	1003
W	COVER	FM-GP-4016-A	WO-A-10231	1001
X	CASE	FM-GP-4206	WO-A-793	1003
Y	GASKET	FM-GP-4035	WO-A-782	1001
Z	SHAFT	FM-GP-3016-A	WO-A-1727	1007
AA	SCREW	FM-355511-S	WO-A-871	1003
AB	STRAP	FM-GP-4281	WO-A-792	1003

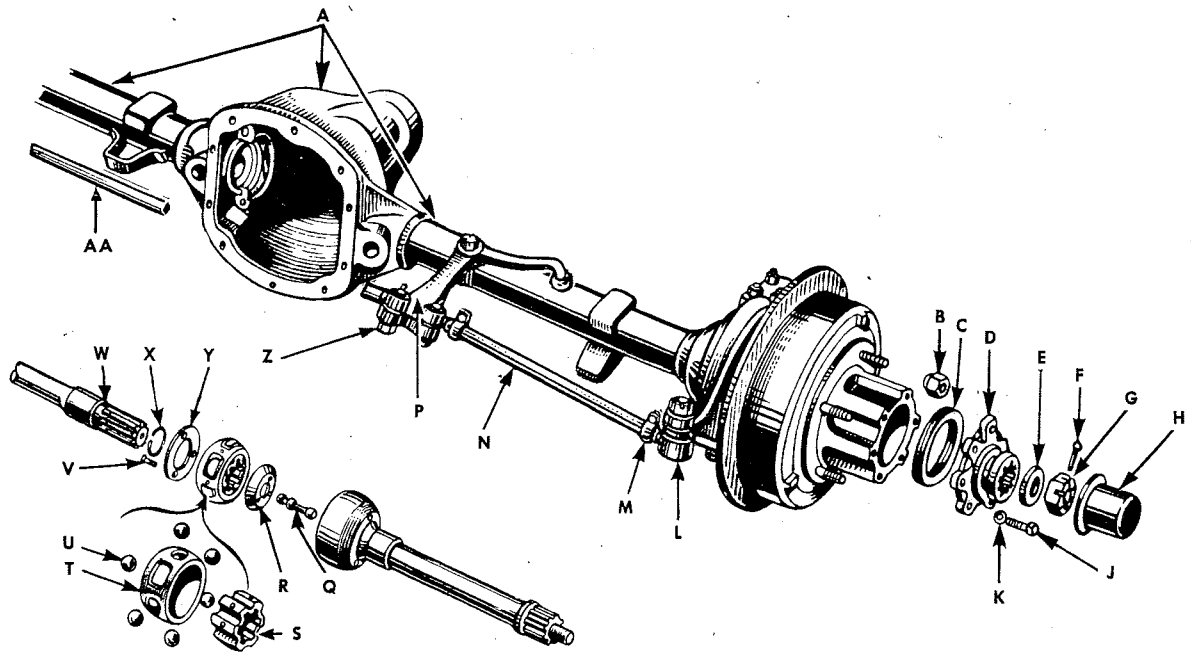
FIGURE 10-2—DIFFERENTIAL ASSEMBLY—SECTIONAL VIEW

RA PD 342231

GROUP 10—FRONT AXLE (Cont'd)

Figure Number	Official Stock Number	Piece Mark or Part Number		ITEM	Quant. Reqd. per Unit Assy.	Unit Price
		Ford No.	Willis No.			
Col. 1	Col. 2	Col. 3	Col. 4	Col. 5	Col. 6	Col. 7
10-1, 2	8080-16976	FM-GP-4015 FM-GP-4016 FM-GP-4016-A	WO-A-781 WO-A-10231	<b>1001—HOUSING</b>  COVER, axle housing (superseded by COVER, FM-GP-4016-A, WO-A-10231). COVER, axle housing (SP-16976) (superseded by COVER, FM-GP-4016-A, WO-A-10231). COVER, axle housing (supersedes COVER, FM-GP-4015; and COVER, FM-GP-4016, WO-A-781) . . . . .	1 1	1.76
10-1, 2	H001-1013461	FM-20046-S2	WO-51523	BOLT, hex-hd., S, 5/16-18NC-2 x 3/4 . . . . .	1	.039
10-2	8080-16409	FM-34941-S7	WO-53029	WASHER, lock, S, cd-pltd., external tooth, flat type 5/16 in. . . . .	1	30.19
10-2	8080-16409	FM-GP-4035	WO-A-782	GASKET, axle housing cover (SP-16409) (also in GASKET SET, FM-GPW-18365-B, WO-A-7830) . . . . .	10	
10-1, 3	8080-17310-X	FM-GPW-3074	WO-A-1703	HOUSING, front axle, w/TUBE, assembly (SP-17310-X) . . . . .	1	.07
		FM-358048-S	WO-636577	PLUG, drain, axle housing (SP-S-780) . . . . .	1	
		FM-353051-S	WO-636538	PLUG, filter, axle housing (SP-50-39-4) . . . . .	1	
		FM-GP-4022	WO-A-870	PLUG, vent, axle housing (SP-16979) . . . . .	1	
				<b>1003—DIFFERENTIAL CASE, GEARS, PINION AND BEARINGS</b> (Items in this group are the same for front and rear axles)		
10-2	8080-16386	FM-355699-S FM-34922-S	WO-636527 WO-636528	BOLT, differential case bearing cap (hex-hd., S, 1/2-13NC x 2 1/4 (SP-A-1358-1)) . . . . .	4	.0167
10-2	H012-6146900	FM-GP-4206	WO-A-793	WASHER, lock, hv, S, internal tooth, flat type, 1/2 in. . . . .	4	
10-2	H012-6160380	FM-GP-4221	WO-52880	CASE, differential (SP-16386) . . . . .	1	.57
		FM-86H-4621	WO-52876	CONE and ROLLERS, differential case bearing (1.625 bore x 1.000) (TIM-24780) . . . . .	2	
				CONE and ROLLERS, differential drive pinion inner bearing (1.375 bore x 1.125) (TIM-31593) . . . . .	1	.641
10-2	H012-6122200	FM-GP-4630	WO-52878	CONE and ROLLERS, differential drive pinion outer bearing (1.125 bore x 0.875) (TIM-02872) . . . . .	1	.505
10-2	H012-6220960	FM-GP-4222	WO-52881	CUP, differential case bearing (3.000 O.D. x 0.8125 wide) (TIM-24721) . . . . .	2	.31
10-2	H012-6224700	FM-86H-4616	WO-52877	CUP, differential drive pinion inner bearing (3.00 O.D. x 0.9375 wide) (TIM-31520) . . . . .	1	.342
10-2	H012-6209750	FM-GP-4628	WO-52879	CUP, differential drive pinion outer bearing (2.875 O.D. x 0.6875 wide) (TIM-02820) . . . . .	1	.293
		FM-GPW-4207		DIFFERENTIAL, assembly (superseded by DIFFERENTIAL, assembly, FM-GPW-4212, WO-A-788) . . . . .	1	
		FM-GPW-4212	WO-A-788	DIFFERENTIAL, assembly (SP-16968-X) (includes CASE, GEARS and PINIONS) (supersedes DIFFERENTIAL, assembly, FM-GPW-4207) . . . . .	1	17.43
		FM-GP-4661	WO-636565	GASKET, differential drive pinion shaft oil seal (SP-S-171) (also in GASKET SET, FM-GPW-18365-B, WO-A-7830) . . . . .	1	
10-2	8080-16385	FM-GPW-4236	WO-A-794	GEAR, differential, side (2.758 O.D. x 1 1/8 in. wide, 16 teeth) (SP-16385) (also in KIT, FM-GPW-18389, WO-A-6816) . . . . .	1	





Key	Part Name	Ford Part No.	Willys Part No.	Group No.
A	HOUSING	FM-GPW-3074	WO-A-1703	1001
B	NUT	FM-GP-1013	WO-A-475	1007
C	SHIM SET	FM-GPW-18336	WO-A-6881	1007
D	FLANGE	FM-GP-3204	WO-A-868	1007
E	WASHER	FM-356504-S	WO-636570	1007
F	PIN	FM-72089-S	WO-5134	1007
G	NUT	FM-356126-S	WO-636569	1007
H	CAP	FM-GP-1139	WO-A-869	1302
J	BOLT	FM-GP-1110	WO-A-760	1007
K	WASHER	FM-34807-S2	WO-5010	1007
L	END, assembly	FM-GP-3292	WO-A-847	1402
M	CLAMP	FM-51-3287	WO-A-1706	1402
N	TUBE	FM-GPW-3282	WO-A-1709	1402
P	CRANK, bell	FM-GPW-3131-B	WO-A-8249	1401
Q	PIN	FM-GP-3218	WO-A-1723	1007
R	PILOT	FM-GP-3219	WO-A-1722	1007
S	RACE	FM-GP-3221	WO-A-1720	1007
T	CAGE	FM-GP-3215-A	WO-A-1719	1007
U	BALL	FM-358074-S	WO-A-1721	1007
V	SCREW	FM-24622-S	WO-A-1725	1007
W	SHAFT	FM-GP-3017-A	WO-A-1729	1007
X	SNAP RING	FM-GP-3216	WO-A-1726	1007
Y	RETAINER	FM-GP-3217	WO-A-1724	1007
Z	END, assembly	FM-GP-3291	WO-A-838	1402
AA	TUBE	FM-GP-3281	WO-A-1705	1402

RA PD 342281

FIGURE 10-3—FRONT AXLE HOUSING, SHAFT AND RELATED PARTS

**GROUP 10—FRONT AXLE (Cont'd)**

Figure Number	Official Stock Number	Piece Mark or Part Number		ITEM	Quant. Reqd. per Unit Assy	Unit Price	
		Ford No.	Willys No.				
Col. 1	Col. 2	Col. 3	Col. 4	Col. 5	Col. 6	Col. 7	
10-2	8080-16412X	FM-GPW-4209	WO-A-789	<b>1003—DIFFERENTIAL CASE, GEARS, PINIONS AND BEARINGS (Cont'd)</b> (Items in this group are the same for front and rear axles)  GEAR, drive, differential, w/PINION (SP-16412-X) (matched set). (also in KIT, FM-GPW-18384, WO-A-6816) KIT, repair, differential case gears. (Consists of: 2 GEAR, side 2 PINION, differential 1 SHAFT, pinion 2 WASHER, thrust, pinion 2 WASHER, thrust, side gear) KIT, repair, differential drive gear and pinion. (Consists of: 1 GEAR, drive, w/PINION 1 NUT, hex, slotted, S, 3/4-16NF-3 8 SCREW, drive gear 4 STRAP, lock) OIL SEAL, differential drive pinion bearing (superseded by OIL SEAL, FM-GP-4676-A, WO-639265) OIL SEAL, differential drive pinion bearing (leather) (SP-14223) (supersedes OIL SEAL, FM-GP-4676, WO-636569) PIN, lock, differential pinion shaft (SP-13449) PINION, differential (1.140 O.D., 10 teeth) (SP-15926) (also in KIT, FM-GPW-18389, WO-A-6816) SCREW, differential drive gear (SP-6-73-414) (also in KIT, FM-GPW-18384, WO-A-6816) SHAFT, differential pinion (SP-16075) (also in KIT, FM-GPW-18389, WO-A-6816) SHIELD, dust, universal joint end yoke, differential drive pinion shaft (SP-15099) SHIM, adjusting, differential case bearing (0.003 thk.) (SP-S-58) (also in SHIM SET, FM-GPW-18388, WO-A-6744) SHIM, adjusting, differential case bearing (0.005 thk.) (SP-S-59) (also in SHIM SET, FM-GPW-18388, WO-A-6744) SHIM, adjusting, differential case bearing (0.010 thk.) (SP-S-74) (also in SHIM SET, FM-GPW-18388, WO-A-6744) SHIM, adjusting, differential case bearing (0.030 thk.) (SP-S-75) (also in SHIM SET, FM-GPW-18388, WO-A-6744)	1	3.93	
	3320-GPW-18389	FM-GPW-18389	WO-A-6743			1	
	8080-16385	FM-GPW-4236	WO-A-794				
		FM-GPW-4215	WO-A-796				
		FM-GP-4211	WO-A-798				
		FM-GP-4230	WO-A-797				
		FM-GP-4228	WO-A-795				
	3320-GPW-18384	FM-GPW-18384	WO-A-6816			1	10.25
		FM-GPW-4209	WO-A-789				
		FM-356126-S	WO-636569				
		FM-355511-S	WO-A-871				
		FM-GP-4281	WO-A-792				
	H013-0500071	FM-GP-4676	WO-636569				
10-2	H013-0500071	FM-GP-4676-A	WO-639265			1	.228
10-2	8080-13449	FM-GP-4241	WO-636360			1	
10-2	8080-15926	FM-GPW-4215	WO-A-796		1	.0355	
10-2	8080-6-73-414	FM-355511-S	WO-A-871		2		
10-2	8080-16075	FM-GP-4211	WO-A-798		8	.0125	
	8080-15099	FM-GP-4666	WO-636568		1		
	8080-S-58	FM-GP-4229-A	WO-A-784		1		
	8080-S-59	FM-GP-4229-B	WO-A-785		as req.		
	8080-S-74	FM-GP-4229-C	WO-A-786		as req.		
	8080-S-75	FM-GP-4229-D	WO-A-787		as req.		