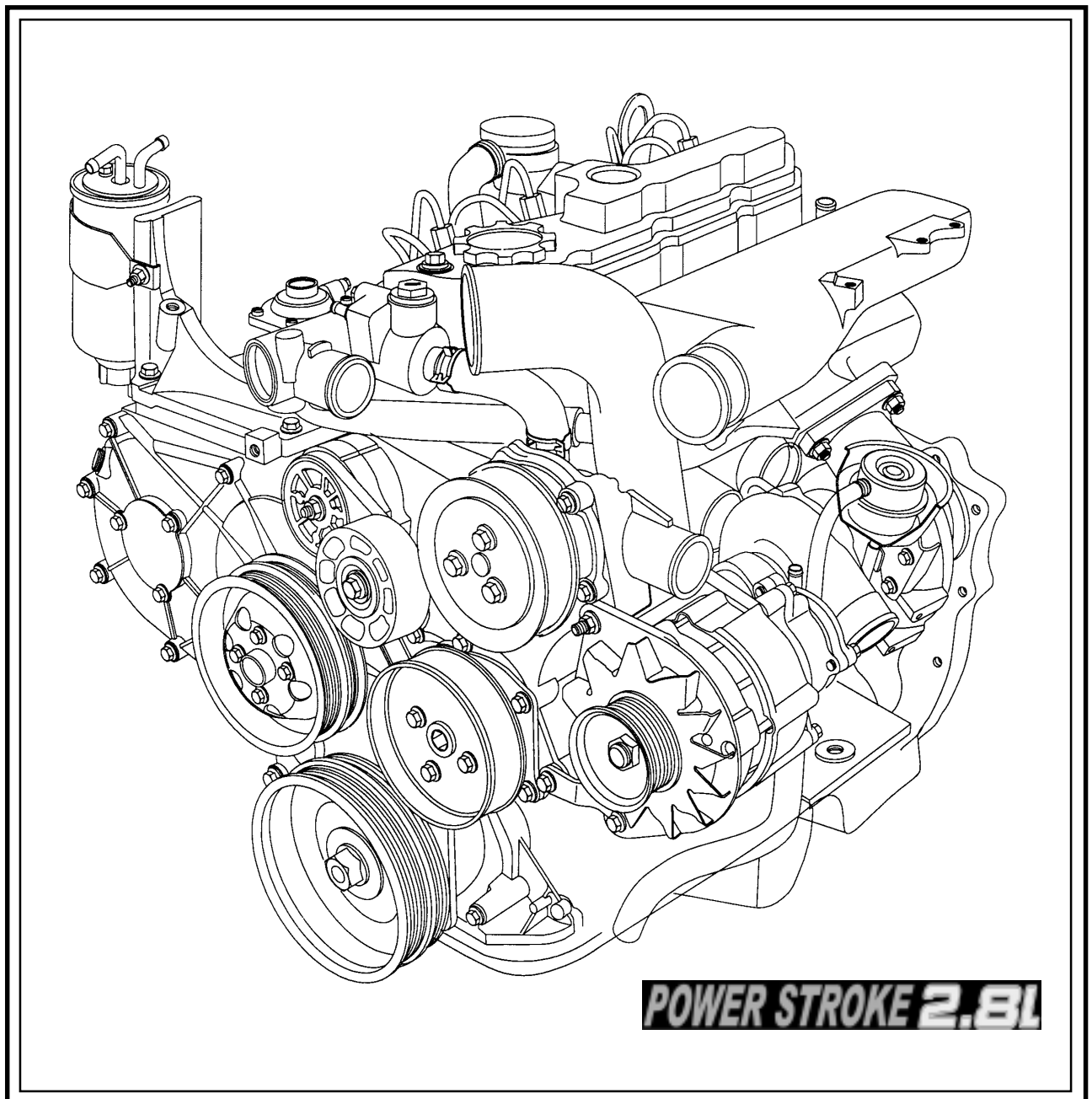




INTERNATIONAL
Engines

CATÁLOGO DE PEÇAS
PARTS BOOK
CATÁLOGO DE REPUESTOS
CATALOGUE DE PIÈCES

POWER STROKE
2.8 L



ÍNDICE NUMÉRICO
 NUMERICAL INDEX
 INDICE NUMERICO
 INDEX NUMERIQUE

POWER STROKE
 2.8 LITROS

NUMEROS INTERNATIONAL
 INTERNATIONAL NUMBERS
 NUMEROS INTERNATIONAL
 NUMEROS INTERNATIONAL

PEÇA NÚMERO	GRUPOS	PEÇA NÚMERO	GRUPOS	PEÇA NÚMERO	GRUPOS
HS008	11/106 13/67	501593 A	11/106	ERR4404 A	56/145
HS008 A	13/67	502473 K	18/49	ERR4640 A	17/61
HS008 B	13/67	524765 E	17/61	ERR4640 A	18/49
HS008 C	13/67	525497 A	17/61	ERR4685 A	37/156
HS008 D	13/67	568431	55/155	ERR4686 A	37/156
HS017	33/165	ERC4996 A	11/106	ERR4709 A	21/31
HS044	13/67 20/21 31/27 45/133	ERC7295 B	45/133	ERR4710 A	13/67
HS068	12/100	ERR0560 A	18/49	ERR4848 A	18/49
HS074	11/106 13/67	ERR0561 A	18/49	ERR4883 A	18/49
HS074 A	13/67	ERR0607 C	18/49	ERR5041 A	34/116
HS075	11/106 14/111	ERR0874 A	53/67	ERR5215 A	13/67
HS075 A	14/111	ERR0894 A	42/252 58/76 58/84	ESR2348	37/156
HS076	00/86	ERR1203 B	18/49	ETC4069 A	17/61 18/49
HS077	00/86	ERR1209 A	18/49	ETC8031 A	36/23
HS078	00/86	ERR1471 C	53/67	ETC8193 A	17/61 18/49
HS079	00/87	ERR1560 A	12/100	ETC8352 B	11/106
HS080	17/61	ERR1561 A	12/100	0726260	48/176
HS082	11/106	ERR2023 A	39/256 39/273	FB106111	53/67
HS083	11/106	ERR2026 A	53/67	FB108091	33/165
HS090	33/165	ERR2028 B	42/252		39/256 39/273
71175	44/141	ERR2100 A	32/82	FB108101	18/49
72118	11/106	ERR2216 A	21/31 39/256 39/273	FB108151	33/165
72119	42/252	ERR2228 A	44/141	FB108161	12/100 33/165
72121	42/252	ERR2344 A	12/100	FB108171	38/148
72124	50/208	ERR2378 A	56/145		38/159 38/162
72134	42/252	ERR2405 A	18/49	FB108201	12/100
73150	67/05	ERR2409 B	34/116	FC108081	12/100
73151	43/71	ERR2732 A	18/49		50/208
73162	37/156	ERR2855 A	18/49	FC108111	39/256 39/273
73169	42/252	ERR3284 A	56/145	FC108131	56/145
74172	39/256 39/273	ERR3286 A	12/100	FC108241	33/165
74173	39/256 39/273	ERR3291 A	37/156		50/208 56/145
74174	39/256 39/273	ERR3342 D	18/49	FC108261	56/145
74179	78/20	ERR3343 D	18/49	FN108041	18/49
74186	39/256 39/273	ERR3417 A	31/27		38/148 38/159
74196	50/208	ERR3424 A	34/116		38/162 39/256 39/273
74197	78/20	ERR3457 A	18/49		
74198	46/69	ERR3490 A	37/156		
75067	33/165	ERR3545 B	21/31 39/256 39/273		
77528	39/273	ERR3622 A	37/156 56/145	FN110041	46/69
77529	39/256	ERR3734 C	56/145	FS106101	31/27
77530	48/176	ERR3754 A	21/31	FS106161	21/31
79517	58/84	ERR3756 A	21/31		58/76 58/84
79519	58/76	ERR3779 A	18/49		67/05
		ERR3780 C	48/176	FS108121	12/100
		ERR4120 A	12/100		35/139

ÍNDICE NUMÉRICO
 NUMERICAL INDEX
 INDICE NUMERICO
 INDEX NUMERIQUE

POWER STROKE
 2.8 LITROS

NUMEROS INTERNATIONAL
 INTERNATIONAL NUMBERS
 NUMEROS INTERNATIONAL
 NUMEROS INTERNATIONAL

PEÇA NÚMERO	GRUPOS	PEÇA NÚMERO	GRUPOS	PEÇA NÚMERO	GRUPOS
FS108121	42/252	70050213	14/111	70420023	17/61
	44/141	70070086	23/02	70470107	17/61
	56/145	70100796	67/05	70470114	17/61
FS108161	21/31	70100797	67/05	70470115	17/61
	36/23	70100817	42/252	70490294	58/76
	39/256	70100818	71/154		58/84
	39/273	70100819	71/154	70490296	17/61
FS108251	12/100	70100820	45/133	70490297	17/61
	20/21	70100828	42/252	70490298	17/61
	37/156	70100836	12/100	70490299	41/82
	38/148	70100840	50/208	70490301	33/165
	38/159	70100843	37/156	70490302	12/100
	38/162	70100848	39/273	70490683	33/165
	39/256	70100849	50/208	70520171	50/208
	39/273	70100850	50/208	70540173	41/82
	53/67	70140008	21/31	70540174	38/148
FS108301	48/176	70150061	18/49		38/159
	56/145	70170038	14/111	70540180	38/162
FS108351	12/100	70180153	50/208	70570114	58/76
FS110201	45/133		53/67		58/84
FS110301	45/133	70180154	58/76	70576100	48/176
	46/69		58/84	70590010	33/165
FS112301	71/154	70180179	39/256	70590014	34/116
FS112401	21/31		39/273	70610054	13/67
FT108201	31/27		78/20	70610057	12/100
	33/165	70180182	48/176	70610065	55/155
	36/23	70180183	37/156	70610068	11/106
	42/252		42/252		45/133
	44/141	70180192	67/05	70610072	14/111
FT110351	42/252	70180197	50/208	70620796	39/256
	45/133	70180202	42/252	70620812	31/27
FX106041	67/05	70180205	53/67	70620818	39/273
FX108051	42/252	70180206	33/165	70620819	53/67
	46/69		37/156	70630114	12/100
	50/208		53/67	70650008	31/27
	56/145	70180207	33/165	70650132	11/106
FX110041	23/02	70180221	37/156	70650137	11/106
	41/82	70200739	53/67	70650139	11/106
	50/208	70200784	37/156	70650141	12/100
TE108051	12/100	70200798	37/156	70650143	12/100
	38/148	70200821	67/05	70650147	33/165
	38/159	70200822	67/05	70650148	33/165
	38/162	70200849	11/106	70670202	44/141
	42/252	70200888	37/156	70670208	13/67
TE110051	41/82	70200895	53/67	70670776	35/139
	46/69	70200896	33/165	70680016	58/76
	50/208	70200905	50/208		58/84
TE110151	23/02	70200916	53/67	70680017	53/67
2314H020	33/165	70200917	37/156	70730054	12/100
36845114	48/176	70200918	37/156	70730055	11/106
70040023	13/67	70200919	44/141	70730056	20/21
70050161	13/67	70200922	53/67	70740334	50/208
70050167	11/106	70240268	33/165		58/76
70050168	11/106	70320083	31/27		58/84
IMPRESSO NO BRASIL		POWER STROKE		81000099	05/03

ÍNDICE NUMÉRICO
NUMERICAL INDEX
INDICE NUMERICO
INDEX NUMERIQUE

POWER STROKE
2.8 LITROS

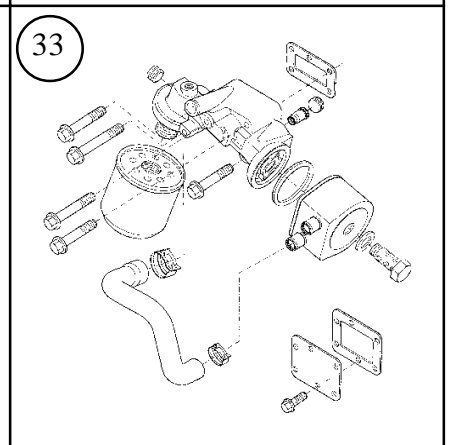
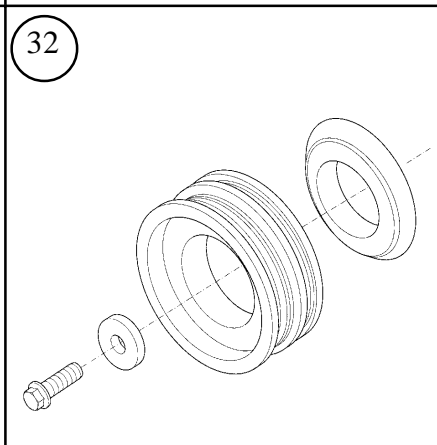
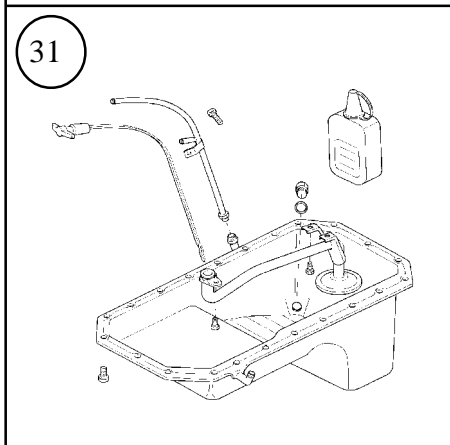
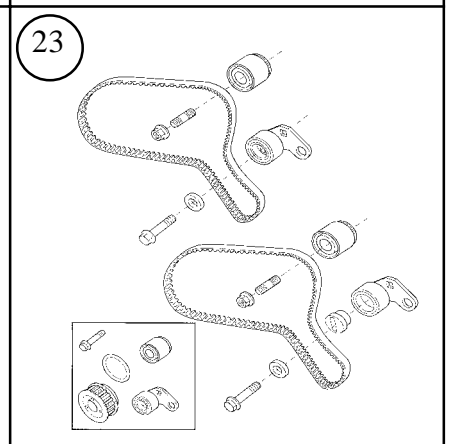
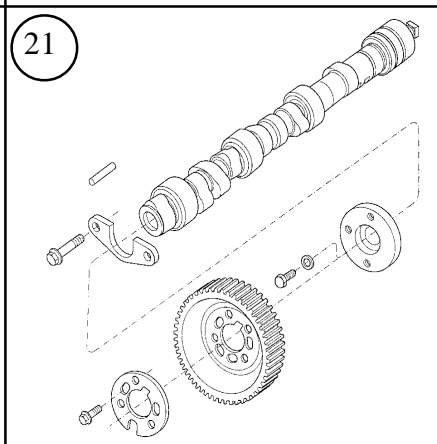
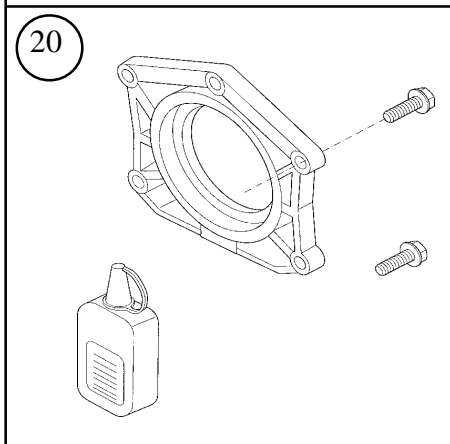
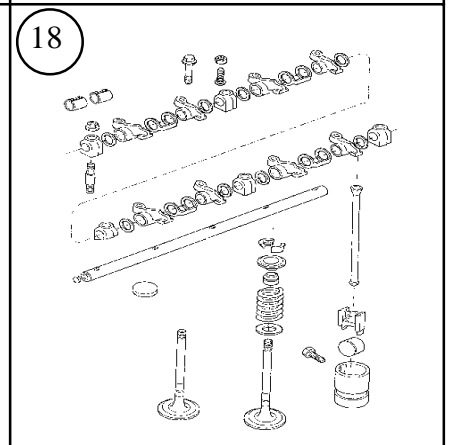
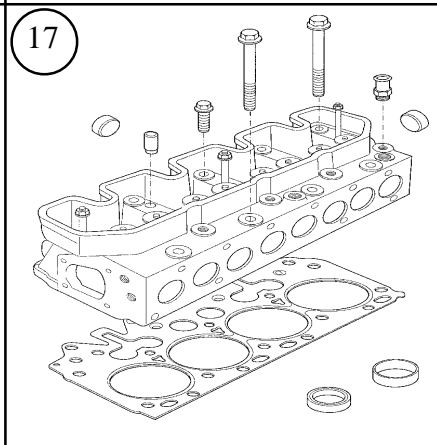
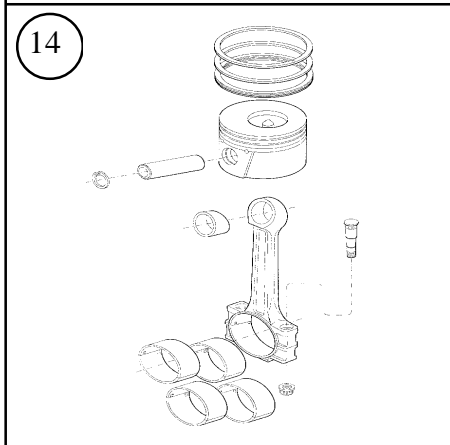
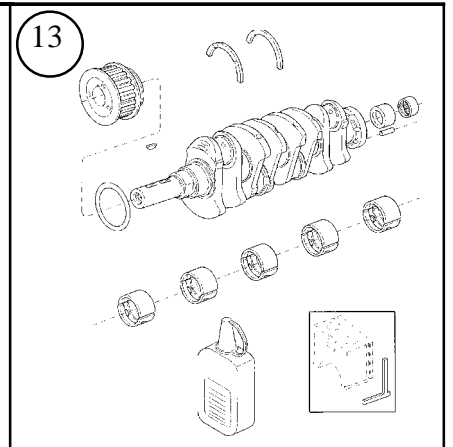
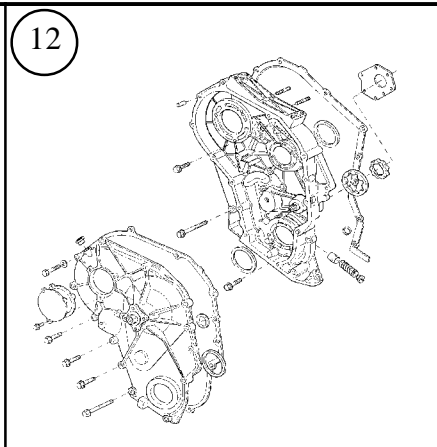
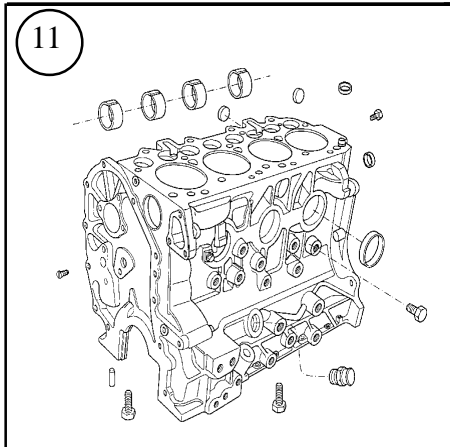
NUMEROS INTERNATIONAL
INTERNATIONAL NUMBERS
NUMEROS INTERNATIONAL
NUMEROS INTERNATIONAL

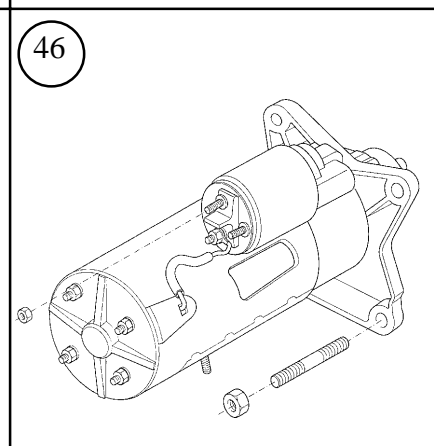
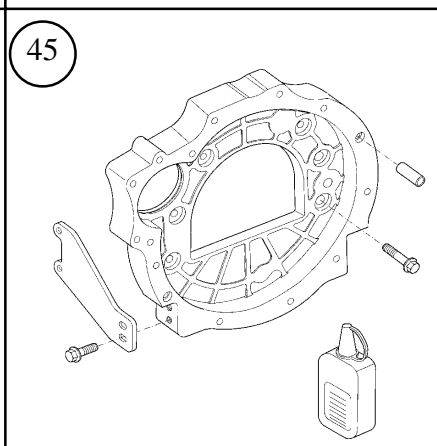
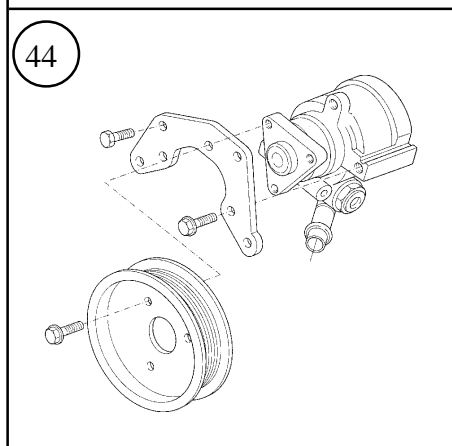
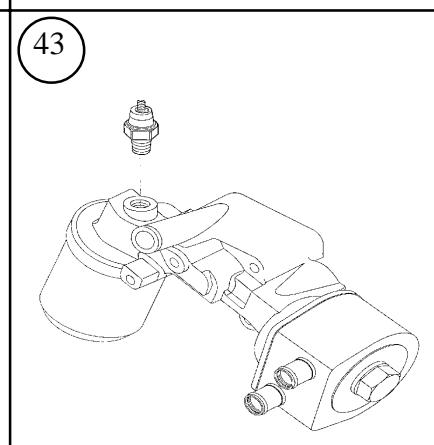
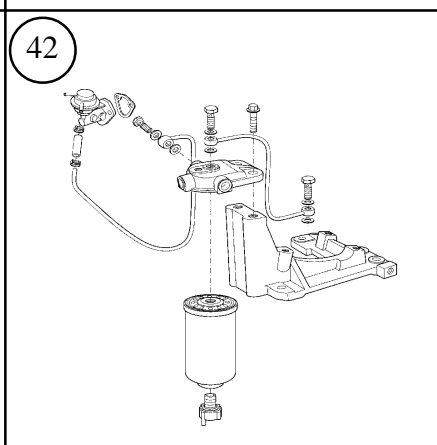
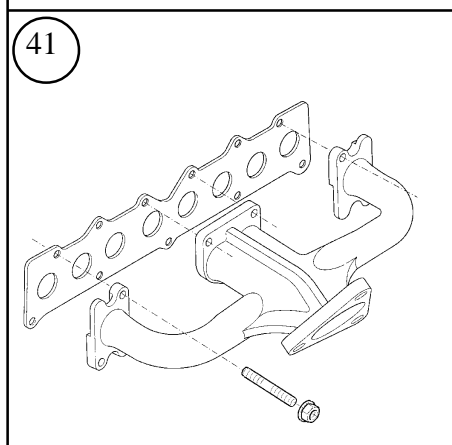
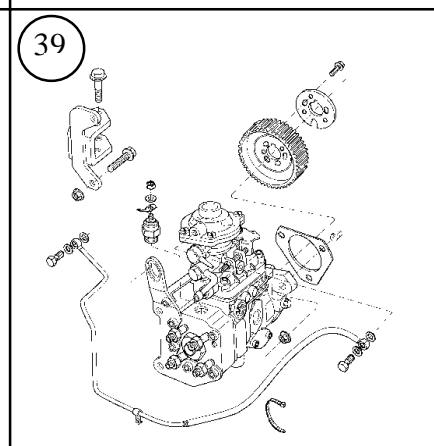
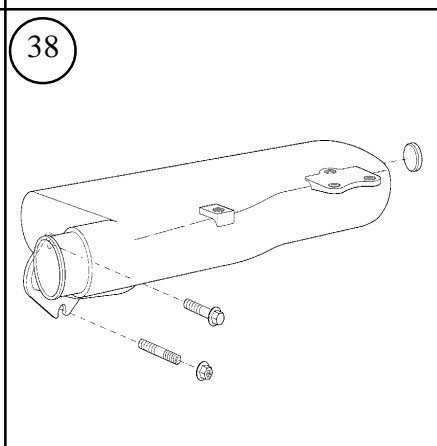
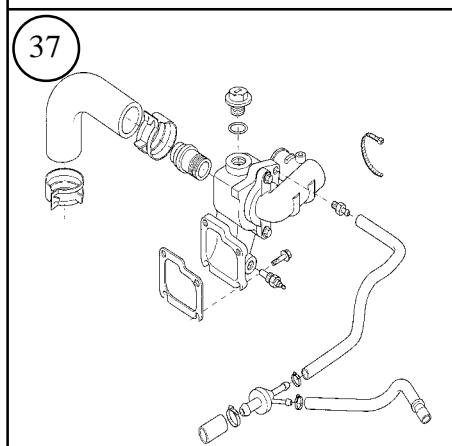
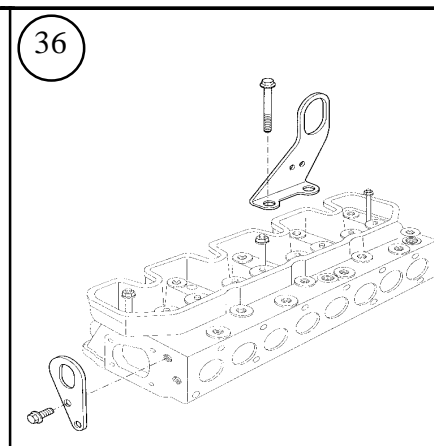
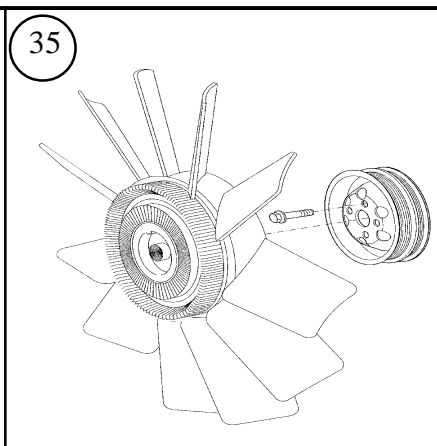
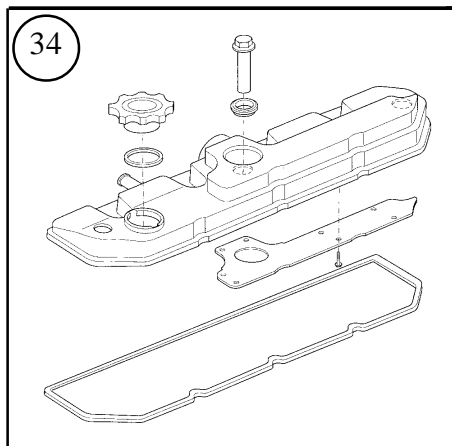
PEÇA NÚMERO	GRUPOS	PEÇA NÚMERO	GRUPOS	PEÇA NÚMERO	GRUPOS
70740370	34/116 53/67	70993368	32/82	SS110201	E 23/02
70740375	39/256 39/273	70993415	11/106		
70740379	18/49 38/148 38/159	70993415	13/67		
70740385	67/05	70993427	31/27		
70740733	42/252 58/76 58/84	70993438	11/106		
70740744	48/176	70993439	11/106		
70740750	11/106	70993440	11/106		
70740751	11/106	70993441	14/111		
70740752	55/155	70993442	14/111		
70740754	17/61	70993443	14/111		
70740755	17/61	70993444	14/111		
70740756	17/61	70993464	17/61		
70740758	32/82	70993465	37/156		
70740760	14/111	70993466	53/67		
70740762	12/100	70993467	45/133		
70740763	33/165	70993469	39/256		
70740764	20/21		39/273		
70740766	50/208	70993471	12/100		
70740769	31/27	70993472	11/106		
70780034	12/100	70993473	11/106		
70810061	36/23	70993474	42/252		
70820116	18/49	70993475	42/252		
70820118	58/76 58/84	70993476	58/76		
70860019	18/49		58/84		
70910057	17/61 18/49	70993478	48/176		
70910058	17/61 18/49	70993482	34/116		
70920008	31/27	70993486	58/76		
70920083	38/148 38/159 39/256 39/273		58/84		
70920096	48/176	70993487	58/76		
70920120	50/208		58/84		
70920170	48/176	70993494	56/145		
70920174	32/82	70993507	67/05		
70920177	33/165	70993523	56/145		
70920178	33/165	70993524	55/155		
70920179	33/165	70993525	37/156		
70920180	58/76 58/84	70993526	48/176		
70992870	31/27	70993527	48/176		
70993255	39/256 39/273	70993528	48/176		
70993260	67/05	70993529	48/176		
70993342	12/100	70993550	42/252		
		70995061	78/20		
		70998161	34/116		
		70998164	17/61		
			18/49		
		70998165	48/176		
		70998173	17/61		
			18/49		
		70998202	12/100		
		70998203	12/100		
		LHP100860	23/02		
		LHV100150	23/02		

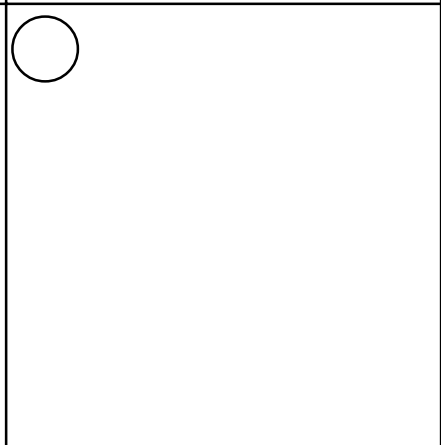
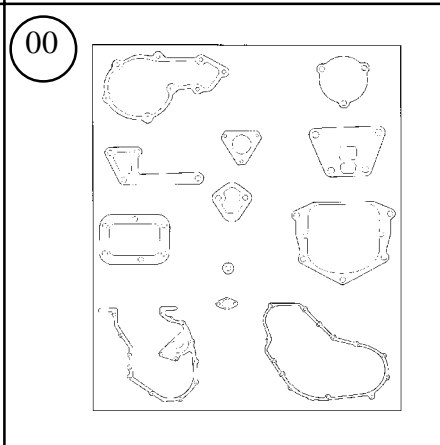
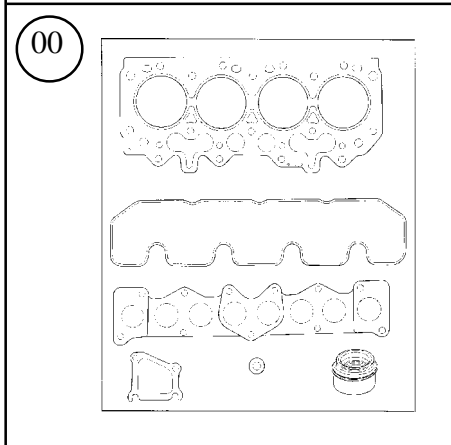
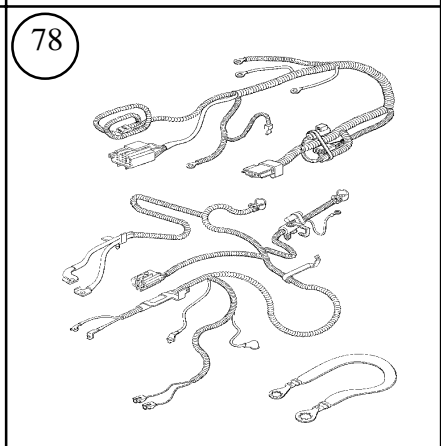
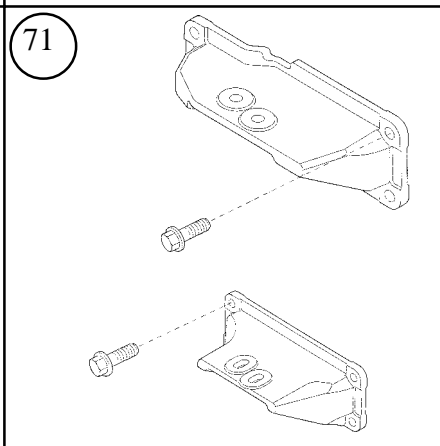
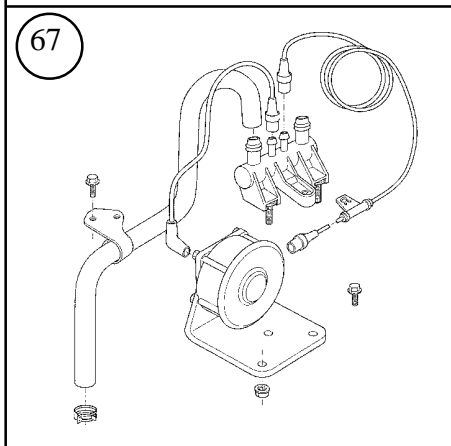
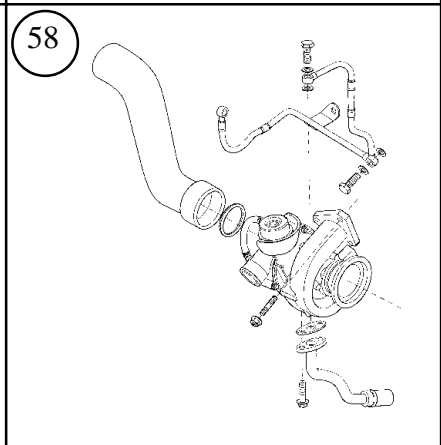
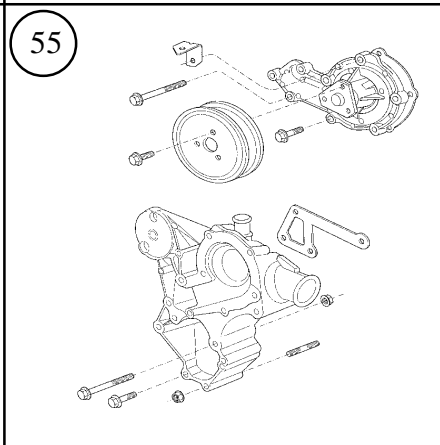
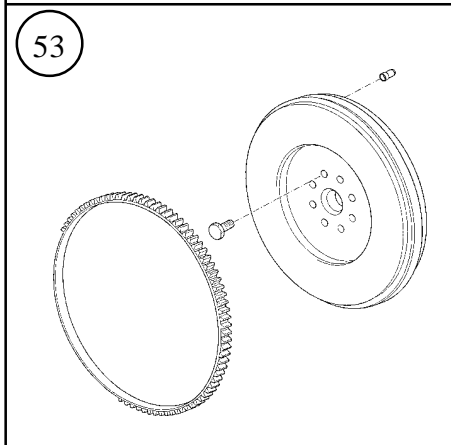
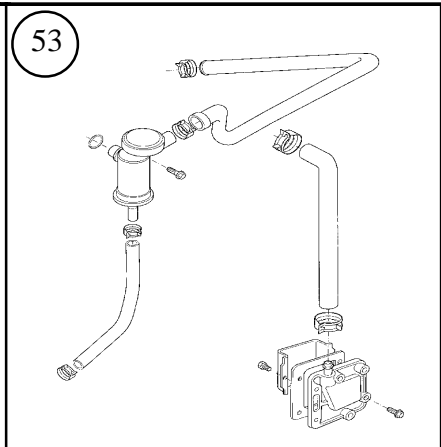
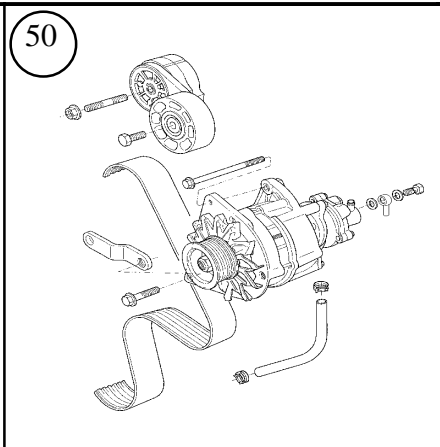
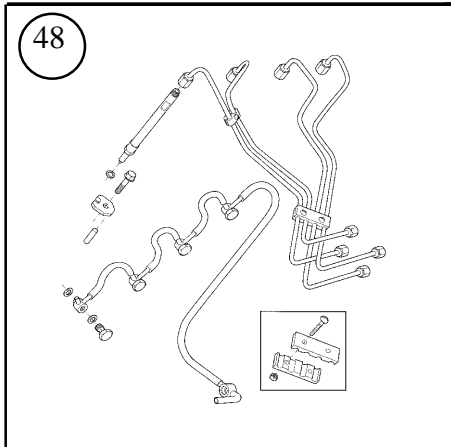
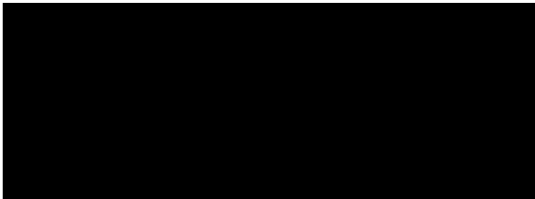
GRUPOS	UNIDADE BÁSICA Nº 365	BASIC UNIT Nº 365	UNIDAD BÁSICA Nº 365	UNITÉ DE BASE Nº 365
11/106	BLOCO DE CILINDROS	CYLINDER BLOCK	BLOQUE DE CILINDROS	BLOC-CYLINDRES
12/100	CAIXA DISTRIBUIÇÃO	TIMING CASE	CAJA DISTRIBUCIÓN	CARTER DISTRIBUTION
13/67	ÁRVORE DE MANIVELAS	CRANKSHAFT	CIGUENAL	VILEBREQUIN
14/111	PISTÕES E BIELAS	PISTONS / CONNECT RODS	PISTONES Y BIELAS	PISTONS ET BIELLES
17/61	CABEÇOTE	CYLINDER HEAD	CULATA	CULASSE
18/49	VÁLVULAS/BALANCEIROS	VALVER / ROCKERSHAFT	VÁLVULAS / BALANCINES	SOUPAPES / LEVIERS
20/21	RETENTOR TRASEIRO	REAR OIL SEAL	SELLO TRASERO DE ACEITE	DÉFLECTEUR D'HUILE ARR.
21/31	ÁRVORE COMANDO VÁLVULAS	CAMSHAFT	ARBOL DE LEVAS	ARBRE À CAMES
23/02	CORREIA E TENSOR	BELT AND TIGHTENER	CORREA Y TENSOR	COURROIE ET TENDEUR
	COMPLEMENTOS	COMPLEMENTS	COMPLEMENTOS	COMPLÉMENTS
31/27	CARTER ÓLEO LUBRIFICANTE	LUBRICATING OIL SUMP	CARTER ACEITE LUBRICANTE	CARTER HUILE LUBRIFIANTE
32/82	POLIA ÁRVORE MANIVELAS	CRANKSHAFT PULLEY	POLEA DEL CIGÜENAL	POULIE DU VILEBREQUIN
33/165	FILTRO LUBRIF. / RESFRIADOR	LUBR. OIL FILTER / COOLER	FILTRO ACEITE / REFRIGERADOR	FILTRE HUILE / REFRROID.
34/116	TAMPA DO CABEÇOTE	CYLINDER HEAD COVER	TAPA DE VÁLVULAS	CACHE-CULBUTEURS
35/139	VENTILADOR	FAN	VENTILADOR	VENTILATEUR
36/23	TAMPA TRASEIRA CABEÇOTE	CYLINDER HEAD REAR COVER	TAPA TRASERA DE LA CULATA	CACHE-CULBUTEURS ARRIERE
37/156	TERMOSTATO E CARÇAÇA	THERMOSTAT AND HOUSING	TERMOSTATO Y CÁRTER	THERMOSTAT ET CARTER
38/159	COLETOR DE ADMISSÃO (A)	INDUCTION MANIFOLD	MÚLTIPLE DE ADMISIÓN	COLLECTEUR D'ADMISSION
38/162	COLETOR DE ADMISSÃO (B)	INDUCTION MANIFOLD	MÚLTIPLE DE ADMISIÓN	COLLECTEUR D'ADMISSION
39/273	BOMBA INJETORA COMBUSTÍVEL	FUEL INJECTION PUMP	BOMBA INYECTORA COMBUSTIBLE	POMPE D'INJEC. / COMBUST.
41/82	COLETOR DE ESCAPE	EXHAUST MANIFOLD	MÚLTIPLE DE ESCAPE	COLLECTEUR D'ÉCHAPPEMENT
42/252	BOMBA ALIMENTADORA E FILTRO ÓLEO COMBUSTÍVEL	FUEL LIFT PUMP AND FUEL OIL FILTER	BOMBA DE ALIMENTACIÓN Y FILTROS ACEITE COMBUSTIBLE	POMPE D'ALIMENTATION ET FILTRE À HUILE COMBUSTIBLE
43/71	TOMADA P/ MANÔMETRO ÓLEO	OIL PRESS GAUGE FITTING	TOMA P/ MANÔMETRE ACEITE	PRISE P/ MANOMETRE D'HUILE
44/141	TOMADA DE POTÊNCIA	POWER TAKE-OFF	TOMA DE POTENCIA	PRISE DE PUISSANCE
45/133	CARÇAÇA DO VOLANTE	FLYWHEEL HOUSING	CARTER DEL VOLANTE	CARTER DU VOLANT
46/69	MOTOR DE PARTIDA	STARTER MOTOR	MOTOR DE ARRANQUE	DEMARREUR
48/176	TUBO INJEÇÃO / INJETORES	FUEL INJECTION SYSTEM	EQUIPO DE INYECCIÓN	SYSTEME D'INJECTION
50/208	ALTERNADOR E CORREIA	ALTERNATOR AND BELT	ALTERNADOR Y CORREA	ALTERNATEUR ET COURROIE
53/67	RESPIRO DO MOTOR	ENGINE BREATHER	RESPIRADERO DEL MOTOR	RENIFLARD DU MOTEUR
55/155	VOLANTE E CREMALHEIRA	FLYWHEEL AND STARTER RING	VOLANTE Y CORONA	VOLANT ET COURONNE
56/145	BOMBA D'ÁGUA	WATER PUMP	BOMBA DE ÁGUA	POMPE À EAU
58/84	INSTALAÇÃO DO TURBO	TURBOCHARGER INSTALATION	INSTALACION DEL TURBO	INSTALLATION DU TURBO
67/05	SISTEMA DE FREIO	BRAKE SYSTEM	SISTEMA DE FRENO	SYSTEME D'FREIN
	ACESSÓRIOS	ACCESSORIES	ACESSORIOS	ACCESSOIRES
71/154	SUPORTE DO MOTOR	ENGINE SUPPORTS	SOPORTES DEL MOTOR	SUPPORTS DU MOTEUR
78/20	SISTEMA ELÉTRICO	ELECTRICAL SYSTEM	SISTEMA ELECTRICO	SYSTEME ÉLECTRIQUE
	JOGO DE JUNTAS	JOINT SETS	JUEGOS DE JUNTAS	JEUX DE JOINTS
00/86	JOGO DE JUNTAS CABEÇOTE	TOP OVERHAUL	JUEGO DE JUNTAS CULATA	JEU DE JOINTS CULASSE
00/87	JOGO DE JUNTAS BLOCO	BOTTOM OVERHAUL	JUEGO DE JUNTAS BLOQUE	JEU DE JOINTS DU BLOC

(A) → 599655H
(B) → 599656H

GRUPOS	UNIDADE BÁSICA Nº 365	BASIC UNIT Nº 365	UNIDAD BÁSICA Nº 365	UNITÉ DE BASE Nº 365
11/106	BLOCO DE CILINDROS	CYLINDER BLOCK	BLOQUE DE CILINDROS	BLOC-CYLINDRES
12/100	CAIXA DISTRIBUIÇÃO	TIMING CASE	CAJA DISTRIBUCIÓN	CARTER DISTRIBUTION
13/67	ÁRVORE DE MANIVELAS	CRANKSHAFT	CIGUENAL	VILEBREQUIN
14/111	PISTÕES E BIELAS	PISTONS / CONNECT RODS	PISTONES Y BIELAS	PISTONS ET BIELLES
17/61	CABEÇOTE	CYLINDER HEAD	CULATA	CULASSE
18/49	VÁLVULAS/BALANCEIROS	VALVER / ROCKERSHAFT	VÁLVULAS / BALANCINES	SOUPAPES / LEVIERS
20/21	RETENTOR TRASEIRO	REAR OIL SEAL	SELLO TRASERO DE ACEITE	DÉFLECTEUR D'HUILE ARR.
21/31	ÁRVORE COMANDO VÁLVULAS	CAMSHAFT	ARBOL DE LEVAS	ARBRE À CAMES
23/02	CORREIA E TENSOR	BELT AND TIGHTENER	CORREA Y TENSOR	COURROIE ET TENDEUR
	COMPLEMENTOS	COMPLEMENTS	COMPLEMENTOS	COMPLÉMENTS
31/27	CARTER ÓLEO LUBRIFICANTE	LUBRICATING OIL SUMP	CARTER ACEITE LUBRICANTE	CARTER HUILE LUBRIFIANTE
32/82	POLIA ÁRVORE MANIVELAS	CRANKSHAFT PULLEY	POLEA DEL CIGÜENAL	POULIE DU VILEBREQUIN
33/165	FILTRO LUBRIF. / RESFRIADOR	LUBR. OIL FILTER / COOLER	FILTRO ACEITE / REFRIGERADOR	FILTRE HUILE / REFROID.
34/116	TAMPA DO CABEÇOTE	CYLINDER HEAD COVER	TAPA DE VÁLVULAS	CACHE-CULBUTEURS
35/139	VENTILADOR	FAN	VENTILADOR	VENTILATEUR
36/23	TAMPA TRASEIRA CABEÇOTE	CYLINDER HEAD REAR COVER	TAPA TRASERA DE LA CULATA	CACHE-CULBUTEURS ARRIERE
37/156	TERMOSTATO E CARÇAÇA	THERMOSTAT AND HOUSING	TERMOSTATO Y CÁRTER	THERMOSTAT ET CARTER
38/148	COLETOR DE ADMISSÃO	INDUCTION MANIFOLD	MÚLTIPLE DE ADMISIÓN	COLLECTEUR D'ADMISSION
39/256	BOMBA INJETORA COMBUSTÍVEL	FUEL INJECTION PUMP	BOMBA INYECTORA COMBUSTIBLE	POMPE D'INJEC. / COMBUST.
41/82	COLETOR DE ESCAPE	EXHAUST MANIFOLD	MÚLTIPLE DE ESCAPE	COLLECTEUR D'ÉCHAPPEMENT
42/252	BOMBA ALIMENTADORA E FILTRO ÓLEO COMBUSTÍVEL	FUEL LIFT PUMP AND FUEL OIL FILTER	BOMBA DE ALIMENTACIÓN Y FILTROS ACEITE COMBUSTIBLE	POMPE D'ALIMENTATION ET FILTRE À HUILE COMBUSTIBLE
43/71	TOMADA P/ MANÔMETRO ÓLEO	OIL PRESS GAUGE FITTING	TOMA P/ MANÔMETRE ACEITE	PRISE P/ MANOMETRE D'HUILE
44/141	TOMADA DE POTÊNCIA	POWER TAKE-OFF	TOMA DE POTENCIA	PRISE DE PUISSANCE
45/133	CARÇAÇA DO VOLANTE	FLYWHEEL HOUSING	CARTER DEL VOLANTE	CARTER DU VOLANT
46/69	MOTOR DE PARTIDA	STARTER MOTOR	MOTOR DE ARRANQUE	DEMARREUR
48/176	TUBO INJEÇÃO / INJETORES	FUEL INJECTION SYSTEM	EQUIPO DE INYECCIÓN	SYSTEME D'INJECTION
50/208	ALTERNADOR E CORREIA	ALTERNATOR AND BELT	ALTERNADOR Y CORREA	ALTERNATEUR ET COURROIE
53/67	RESPIRO DO MOTOR	ENGINE BREATHER	RESPIRADERO DEL MOTOR	RENIFLARD DU MOTEUR
55/155	VOLANTE E CREMALHEIRA	FLYWHEEL AND STARTER RING	VOLANTE Y CORONA	VOLANT ET COURONNE
56/145	BOMBA D'ÁGUA	WATER PUMP	BOMBA DE ÁGUA	POMPE À EAU
58/76	INSTALAÇÃO DO TURBO	TURBOCHARGER INSTALATION	INSTALACION DEL TURBO	INSTALLATION DU TURBO
67/05	SISTEMA DE FREIO	BRAKE SYSTEM	SISTEMA DE FRENO	SYSTEME D'FREIN
	ACESSÓRIOS	ACCESSORIES	ACESSORIOS	ACCESSOIRES
71/154	SUPORTE DO MOTOR	ENGINE SUPPORTS	SOPORTES DEL MOTOR	SUPPORTS DU MOTEUR
78/20	SISTEMA ELÉTRICO	ELECTRICAL SYSTEM	SISTEMA ELECTRICO	SYSTEME ÉLECTRIQUE
	JOGO DE JUNTAS	JOINT SETS	JUEGOS DE JUNTAS	JEUX DE JOINTS
00/86	JOGO DE JUNTAS CABEÇOTE	TOP OVERHAUL	JUEGO DE JUNTAS CULATA	JEU DE JOINTS CULASSE
00/87	JOGO DE JUNTAS BLOCO	BOTTOM OVERHAUL	JUEGO DE JUNTAS BLOQUE	JEU DE JOINTS DU BLOC



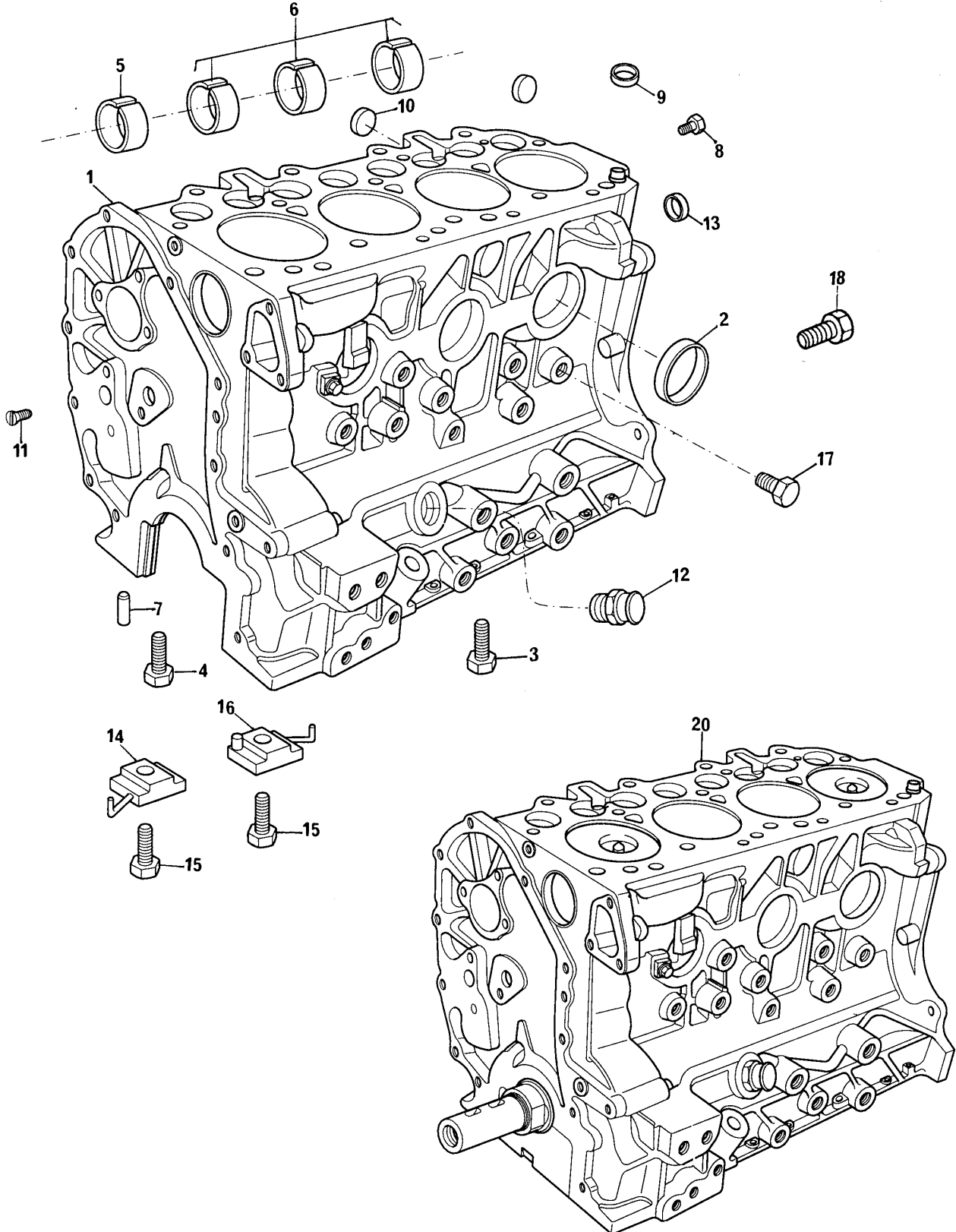




BLOCO DE CILINDROS
CYLINDER BLOCK
BLOQUE DE CILINDROS
BLOC-CYLINDRES

GRUPO
GROUP
GRUPO
GRUPO
GROUPE

11/106



BLOCO DE CILINDROS
CYLINDER BLOCK
BLOQUE DE CILINDROS
BLOC-CYLINDRES

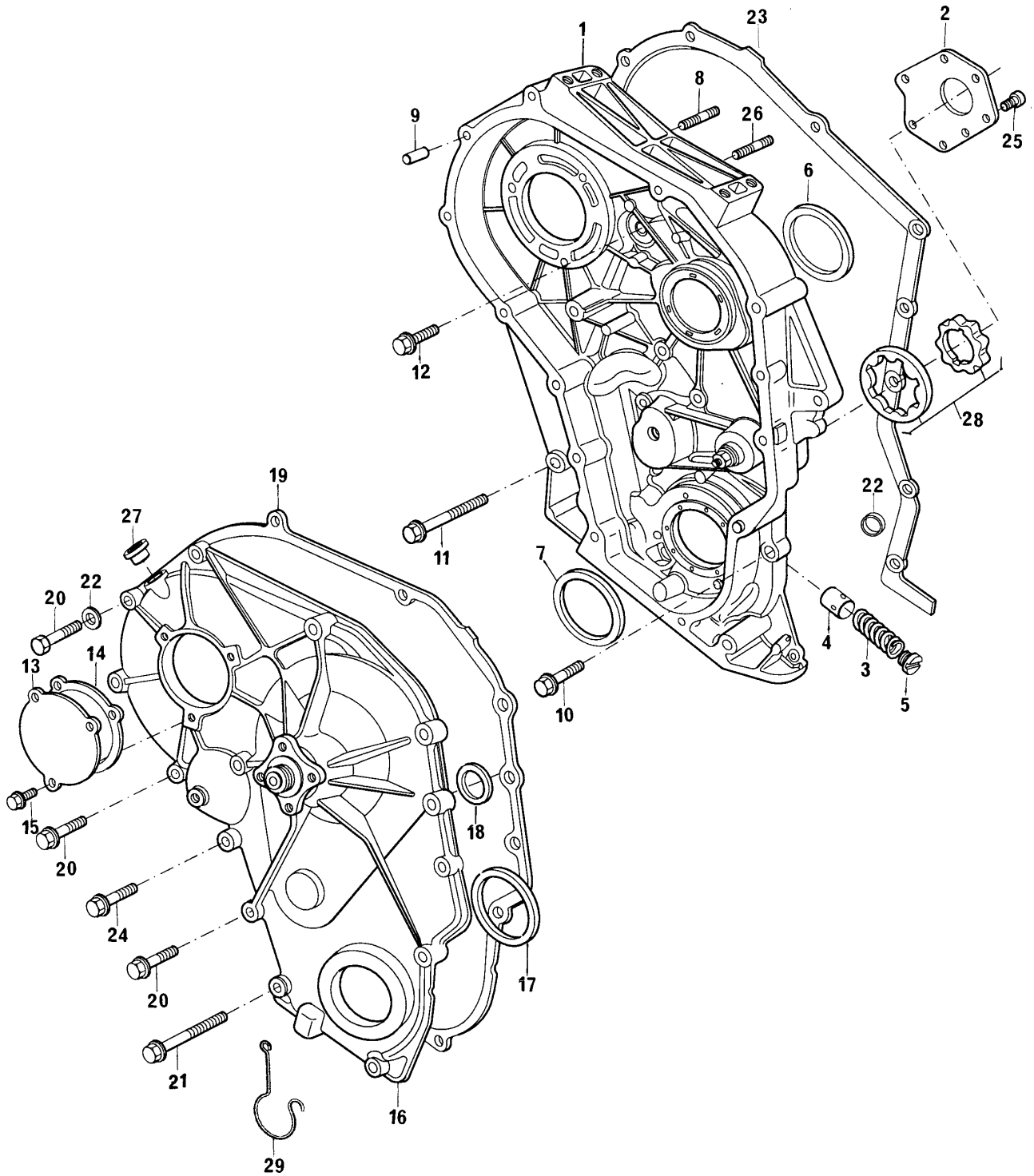
GRUPO
GROUP 11/106
GRUPO
GROUPE

1	HS082		1 BLOCO CILINDROS	CYLINDER BLOCK	BLOQUE CILINDROS	BLOC-CYLINDRES
2	ERC4996 A	1	3 BUJÃO	PLUG	TAPÓN	BOUCHON
3	70740750	1	2 PARAFUSO	BOLT	TORNILLO	VIS
4	70740751	1	8 PARAFUSO	BOLT	TORNILLO	VIS
5	70050167	1	1 BUCHA	BUSH	BUJE	BAGUE
6	70050168	1	3 BUCHA	BUSH	BUJE	BAGUE
7	501593 A	1	10 PINO GUIA	DOWEL	ESPIGA	PION
8	70650137		2 BUJÃO	PLUG	TAPÓN	BOUCHON
9	ETC8352 B		2 ANEL GUIA	RING	ANILLO	ANNEAU
10	70730055		3 TAMPÃO	PLUG	TAPÓN	BOUCHON
11	70650132		2 BUJÃO	PLUG	TAPÓN	BOUCHON
12	70200849	1	1 CONEXÃO	CONNECTION	CONEXIÓN	RACCORD
13	70610068		2 ANEL GUIA	RING	ANILLO	ANNEAU
14	70993472	1	2 TUBO	PIPE	CAÑO	TUYAUTERIE
15	72118	1	4 VÁLVULA ALÍVIO	RELIEF VALVE	VÁLVULA ALÍVIO	SOUPAPE
16	70993473	1	2 TUBO	PIPE	CAÑO	TUYAUTERIE
17	70650139	1	1 BUJÃO DE DRENO	DRAIN PLUG	TAPÓN DRENAJE	BOUCHON VIDANGE
18	FS108161	M8X25	1 PRISIONEIRO	STUD	ESPÁRRAGO	GOUJON
20	HS083		1 MOTOR PARCIAL	SHORT ENGINE	MOTOR PARCIAL	MOTEUR PARTIEL
	HS082		1 BLOCO CILINDROS	CYLINDER BLOCK	BLOQUE CILINDROS	BLOC-CYLINDRES
	70993415	20	1 ÁRVORE MANIVELAS	CRANKSHAFT	CIGUENAL	VILEBREQUIN
	HS074	20	1 JG. CASQUILHOS	BEARING KIT	JUEGO COJINETE	JEU COUSSINETES
	HS008	20	1 JOGO DE ARRUELA	WASHER KIT	JUEGO ARANDELA	JEU RONDELLE
	HS075	20	1 JG. CASQUILHOS	BEARING KIT	JUEGO COJINETE	JEU COUSSINETES
	70993438	20	4 PISTÃO	PISTON	PISTON	PISTON
	70993439	20	4 JG. ANÉIS	RING KIT	JUEGO AROS	JEU SEGMENTS
	70993440	20	4 BIELA	CONNECTING ROD	BIELA	BIELLE
		20				

CAIXA DE DISTRIBUIÇÃO
TIMING CASE
CAJA DE DISTRIBUCIÓN
CARTER DE LA DISTRIBUTION

GRUPO
GROUP
GRUPO
GROUPE

12/100



CAIXA DE DISTRIBUIÇÃO
TIMING CASE
CAJA DE DISTRIBUCIÓN
CARTER DE LA DISTRIBUTION

GRUPO
GROUP
GRUPO
GROUPE

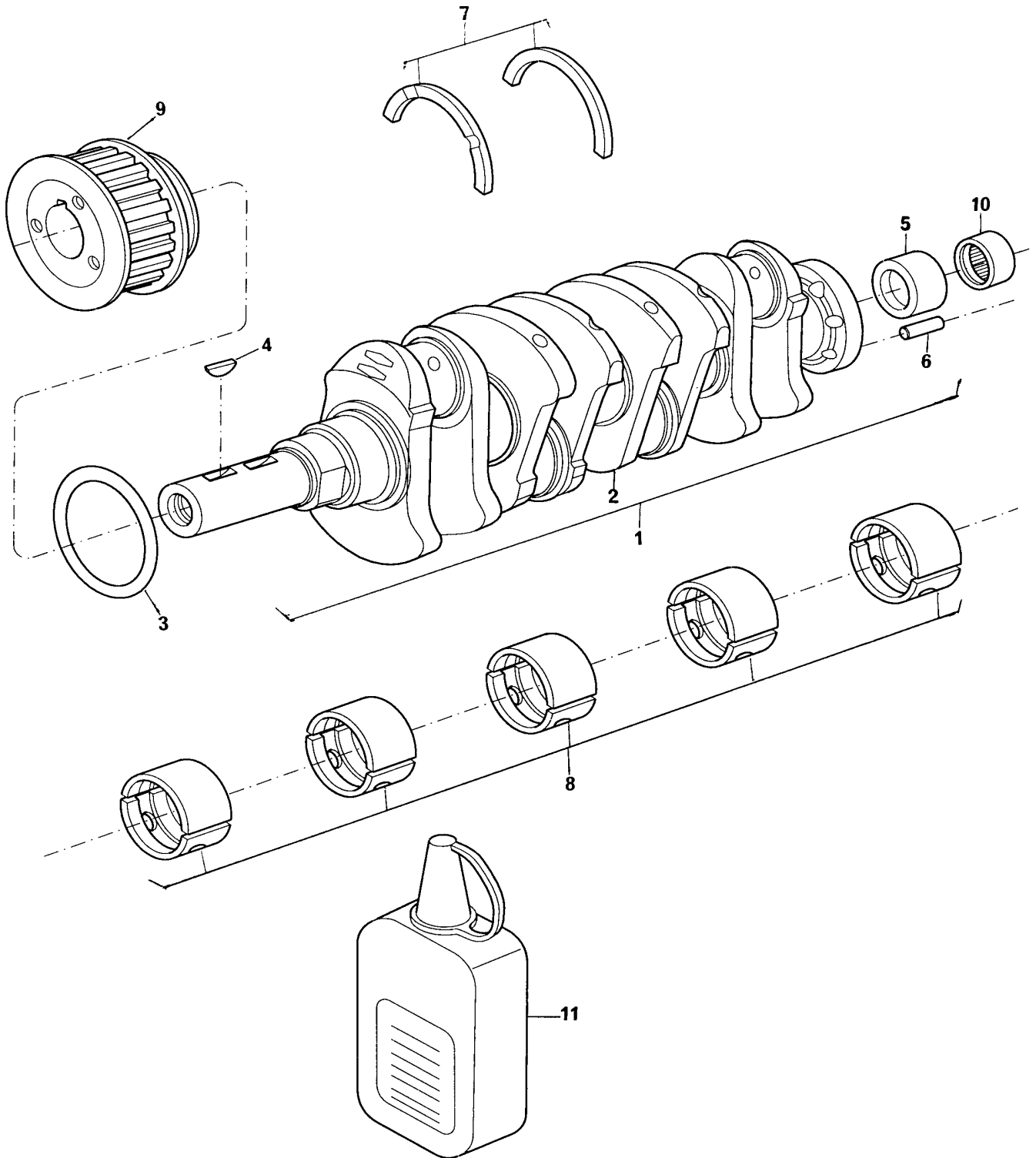
12/100

1	70993471		1 CAIXA DISTRIB.	HOUSING	CAJA	CARTER
2		1	1 PLACA	PLATE	PLACA	PLAQUE
3	70780034	1	1 MOLA	SPRING	RESORTE	RESSORT
4	70630114	1	1 ÊMBOLO	PLUNGER	EMBOLO	PISTÓN
5	70650143	1	1 BUJÃO	PLUG	TAPÓN	BOUCHON
6	70998202	1	1 VEDADOR	SEAL	RETÉN	GUARNITURE
7	70998203	1	1 RETENTOR	SEAL	RETÉN	BAGUE ETANCHÉITE
8	TE108051	M8X25	3 PRISIONEIRO	STUD	ESPÁRRAGO	GOUJON
9	70610057		2 PINO GUIA	DOWEL	ESPIGA	PION
10	FS108351	M8X35	3 PARAFUSO	BOLT	TORNILLO	VIS
11	FB108161	M8X80	2 PARAFUSO	BOLT	TORNILLO	VIS
12	FS108251	M8X25	5 PARAFUSO	BOLT	TORNILLO	VIS
13	ERR1560	A	1 TAMPA INSPEÇÃO	COVER	TAPA	COUVERCLE
14	ERR1561	A	1 JUNTA	JOINT	JUNTA	JOINT
15	FS108121	M8X12	3 PARAFUSO	BOLT	TORNILLO	VIS
16	70993342		1 TAMPA FRONTAL	COVER	TAPA	COUVERCLE
17	70730054	16	1 VEDADOR	SEAL	RETÉN	GUARNITURE
18	ERR2344	A	1 JUNTA INTERNA	JOINT	JUNTA	JOINT
19	ERR4120	A	1 JUNTA EXTERNA	JOINT	JUNTA	JOINT
20	FS108351	M8X35	9 PARAFUSO	BOLT	TORNILLO	VIS
21	FB108201	M8X10	4 PARAFUSO	BOLT	TORNILLO	VIS
22	ERR3286	A	2 ANEL GUIA	RING	ANILLO	ANNEAU
23	70490302		1 JUNTA	JOINT	JUNTA	JOINT
24	FC108081	M8X40	1 PARAFUSO	BOLT	TORNILLO	VIS
25	70740762	1	7 PARAFUSO	BOLT	TORNILLO	VIS
27	70650141		1 BUJÃO	PLUG	TAPÓN	BOUCHON
28	HS068	1	1 JG. ROTOR	IMPELLER KIT	JUEGO TURBINA	JEU TURBINE
29	70100836		1 PRESILHA	CLIP	SUJETADOR	AGRAFE

ÁRVORE DE MANIVELAS
CRANKSHAFT
CIGUEÑAL
VILEBREQUIN

GRUPO
GROUP
GRUPO
GROUPE

13/67



ÁRVORE DE MANIVELAS
CRANKSHAFT
CIGUEÑAL
VILEBREQUIN

GRUPO
GROUP
GRUPO
GROUPE

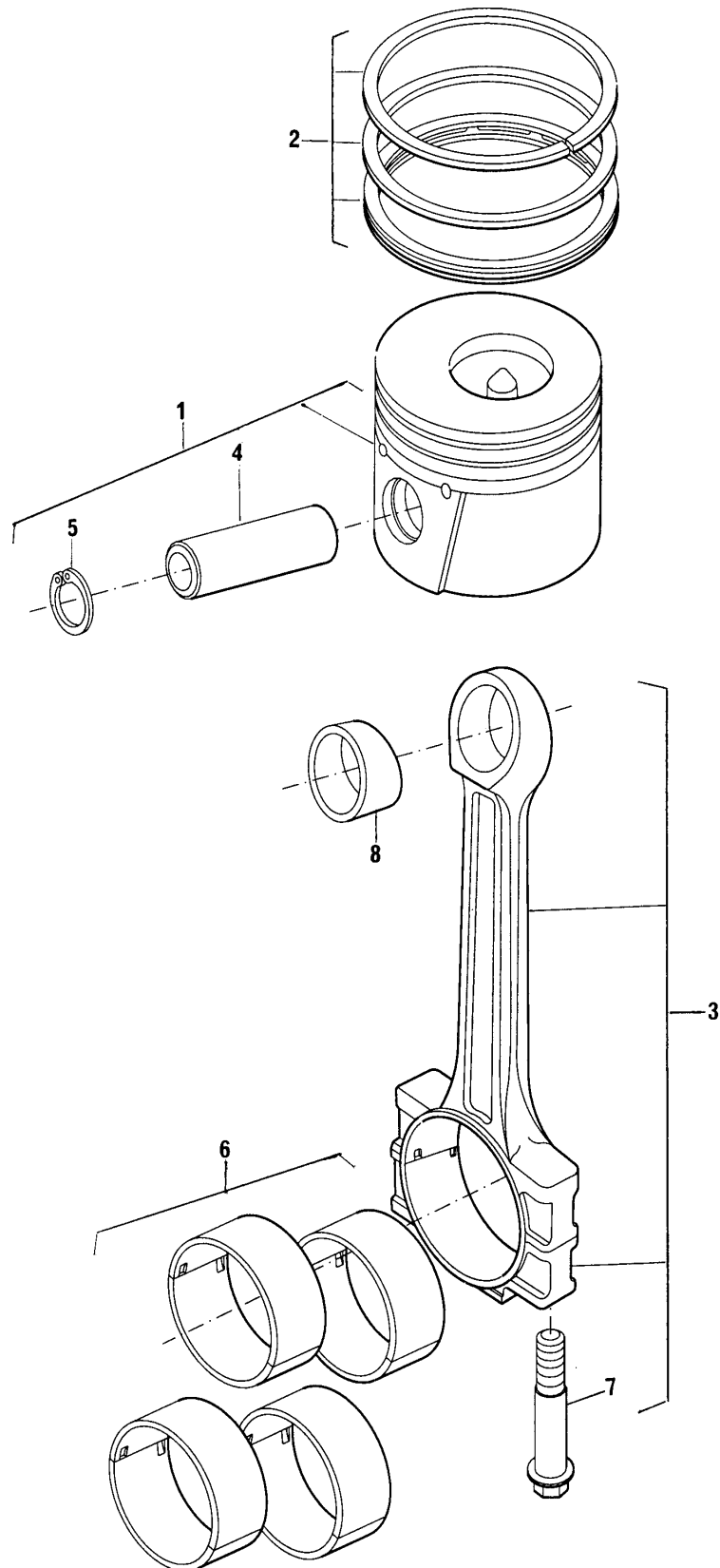
13/67

1	70993415			1 C.J.ÁRVORE MANIV.	CRANKSHAFT KIT	JUEGO CIGUEÑAL	JEU VILEBREQUIN
2		1		1 ÁRVORE MANIVELAS	CRANKSHAFT	CIGUEÑAL	VILEBREQUIN
3	ERR4710 A			1 ANEL "O"	"O" RING	ARO SELLO	JOINT TORIQUE
4	ERR5215 A	1		2 CHAVETA	KEY	CHAVETA	CLAVETTE
5	70050161	1		1 BUCHA	BUSH	BUJE	BAGUE
6	70610054	1		1 PINO GUIA	DOWEL	ESPIGA	PION
7	HS008		STD	1 JG. ARRUELAS	WASHER KIT	JUEGO ARANDELAS	JEU RONDELLES
7	HS008 A		▼ + . 0025	X JG. ARRUELAS	WASHER KIT	JUEGO ARANDELAS	JEU RONDELLES
7	HS008 B		▲ + . 005	X JG. ARRUELAS	WASHER KIT	JUEGO ARANDELAS	JEU RONDELLES
7	HS008 C		▲ + . 0075	X JG. ARRUELAS	WASHER KIT	JUEGO ARANDELAS	JEU RONDELLES
7	HS008 D		▲ + . 010	X JG. ARRUELAS	WASHER KIT	JUEGO ARANDELAS	JEU RONDELLES
8	HS074		STD	1 JG. CASQUILHOS	BEARING KIT	JUEGO COJINETES	JEU COUSSINETS
8	HS074 A		▲ + . 010	X JG. CASQUILHOS	BEARING KIT	JUEGO COJINETES	JEU COUSSINETS
9	70670208			1 POLIA	PULLEY	POLEA	POULIE
10	70040023	1		1 ROLAMENTO	BEARING	COJINETE	ROULEMENT
11	HS044			1 JUNTA LÍQUIDA	JOINT	JUNTA	JOINT

PISTÕES E BIELAS
PISTONS AND CONNECTING RODS
PISTONES Y BIELAS
PISTONES ET BIELLES


GRUPO
GROUP
GRUPO
GROUPE

14/111



PISTÕES E BIELAS
PISTONS AND CONNECTING RODS
PISTONES Y BIELAS
PISTONES ET BIELLES

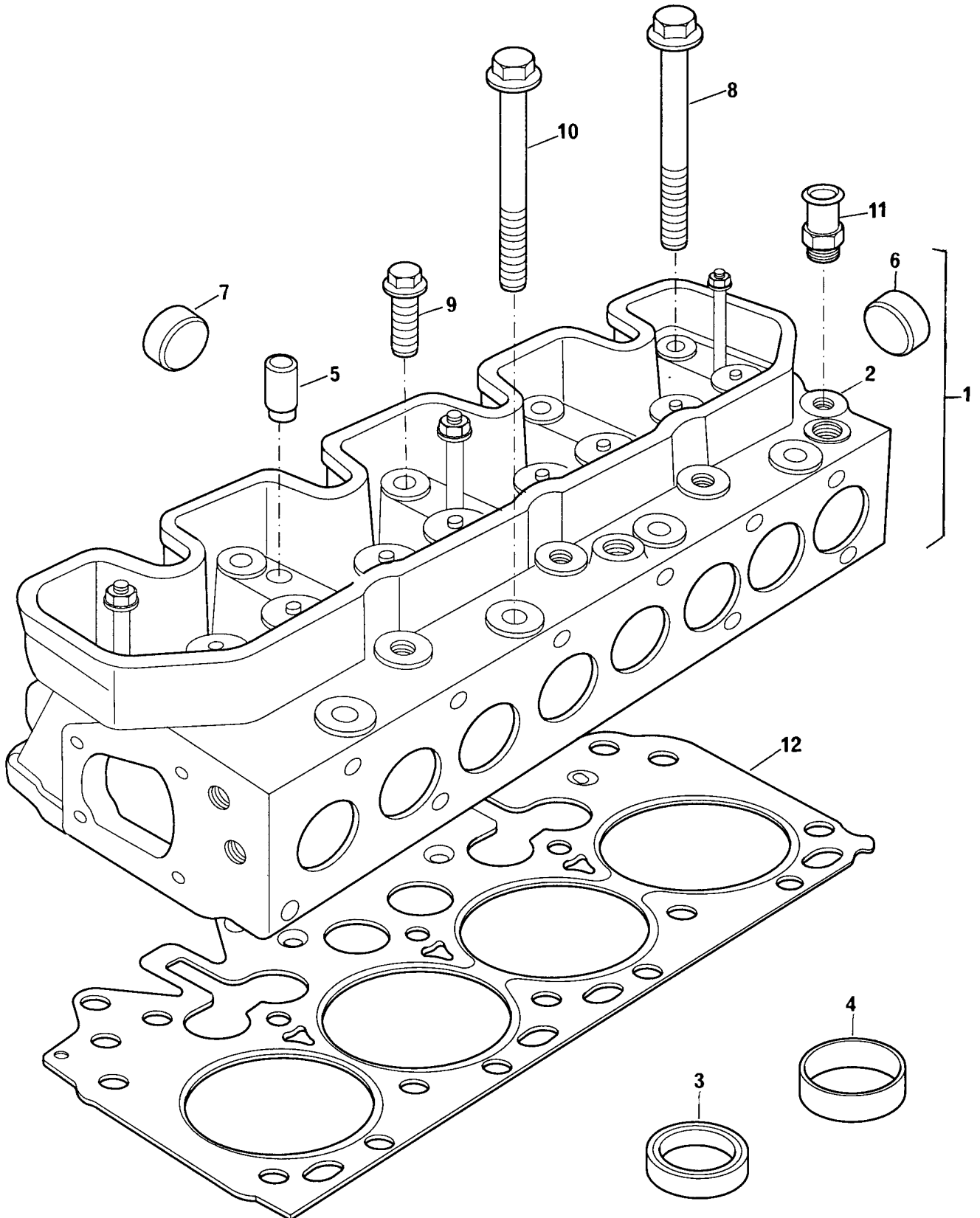
GRUPO
GROUP 14/111
GRUPO
GROUPE

1	70993438			4 PISTÃO	PISTON	PISTÓN	PISTON
1	70993443	▽ + .025 mm	X	PISTÃO	PISTON	PISTÓN	PISTON
1	70993444	▲ + .050 mm	X	PISTÃO	PISTON	PISTÓN	PISTON
2	70993439			4 JOGO ANÉIS	RING KIT	JUEGO DE AROS	JEU SEGMENTS
2	70993441	▽ + .025 mm	X	JOGO ANÉIS	RING KIT	JUEGO DE AROS	JEU SEGMENTS
2	70993442	▲ + .050 mm	X	JOGO ANÉIS	RING KIT	JUEGO DE AROS	JEU SEGMENTS
3	70993440			4 BIELA	CONNECTING ROD	BIELA	BIELLE
4	70610072		1	4 PINO DO PISTÃO	PIN	PERNO	AXE
5	70170038		1	8 ANEL TRAVA	CIRCLIP	ARO RETÉN	CIRCLIP
6	HS075	STD		1 JG. CASQUILHOS	BEARING KIT	JUEGO COJINETES	JEU COUSSINETS
6	HS075 A	▲ + .010	X	JG. CASQUILHOS	BEARING KIT	JUEGO COJINETES	JEU COUSSINETS
7	70740760		3	8 PARAFUSO	BOLT	TORNILLO	VIS
8	70050213	 70050210		4 BUCHA	BUSH	BUJE	BAGUE

CABEÇOTE
CYLINDER HEAD
CULATA
CULASSE

GRUPO
GROUP
GRUPO
GROUPE

17/61



CABEÇOTE
CYLINDER HEAD
CULATA
CULASSE

GRUPO
GROUP 17/61
GRUPO
GROUPE

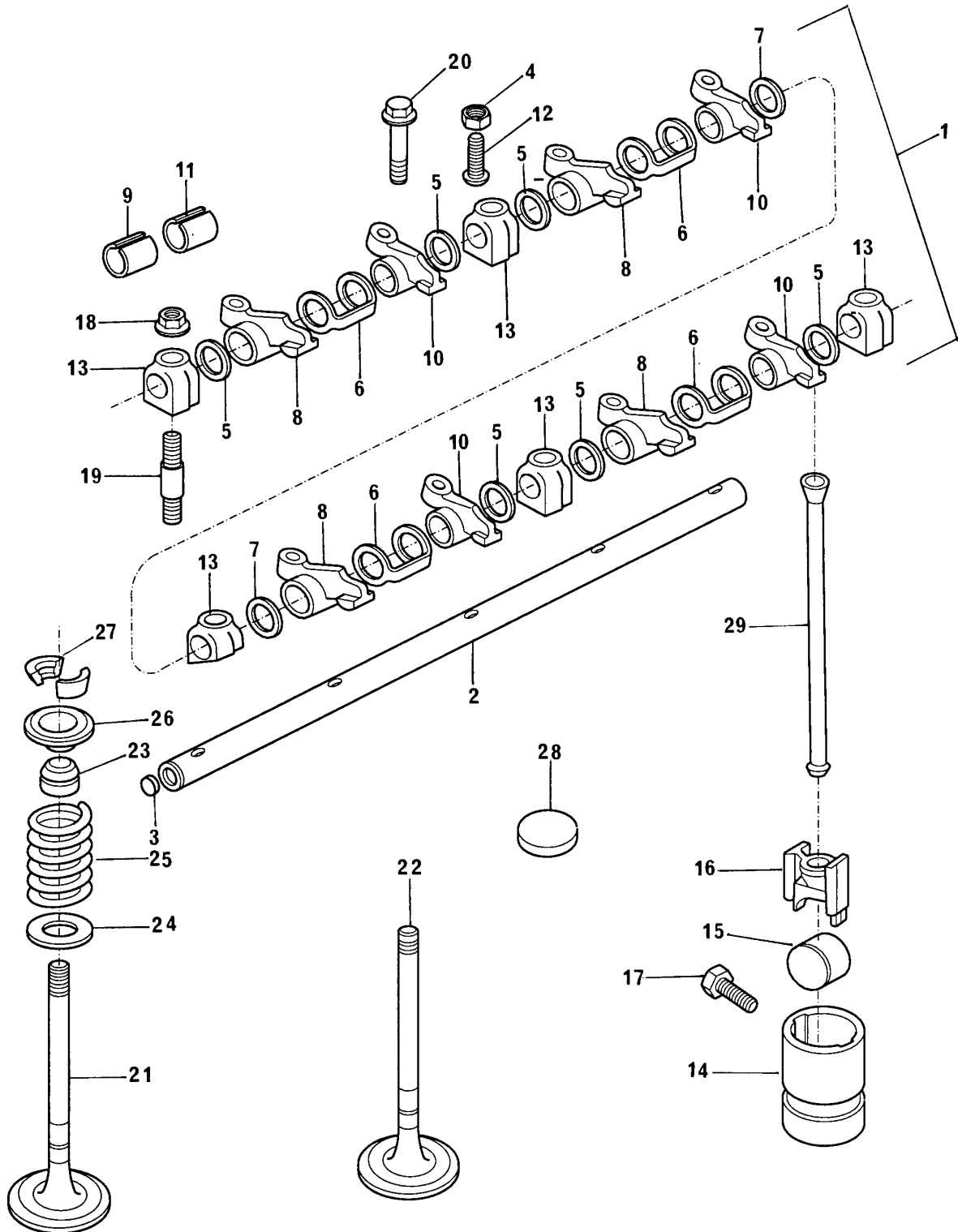
1	HS080		1	CJ. CABEÇOTE	CYLINDER HEAD ASSY	JUEGO CULATA	JEU CULASSE	
2	70993464		1	CABEÇOTE	CYLINDER HEAD	CULATA	CULASSE	
3	70470114		2	SEDE ADMISSÃO	INLET INSERT	INSERTO ADMISIÓN	SIEGE RAPPORTÉ	
4	70470115		2	SEDE DE ESCAPE	EXHAUST INSERT	INSERTO ESCAPE	SIEGE RAPPORTÉ	
5	70420023		2	GUIA	GUIDE	GUIA	GUIDE	
6	524765	E	1	BUJÃO	PLUG	TAPÓN	BOUCHON	
7	525497	A	1	BUJÃO	PLUG	TAPÓN	BOUCHON	
*	70910058		1	VÁLVULA ESCAPE	EXHAUST VALVE	VALVULA ESCAPE	SOUPAPE ÉCHAPP	
*	70910057		1	VÁLVULA ADMISSÃO	INLET VALVE	VALVULA ADMISSION	SOUPAPE ADM.	
*	ETC8193	A	1	ARRUELA	WASHER	ARANDELA	RONDELLE	
*	ERR4640	A	1	MOLA	SPRING	RESORTE	RESSORT	
*	70998173		1	VEDADOR	SEAL	RETÉN	GUARNITURE	
*	70998164		1	CAPA	CAP	CASQUILLO	CUVETTE	
*	ETC4069	A	1	TRAVA	COTTER	SEGURO CÔNICO	CLAVETTE	
8	70740754			M12X140	10 PARAFUSO	BOLT	TORNILLO	VIS
9	70740755			M12X100	4 PARAFUSO	BOLT	TORNILLO	VIS
10	70740756			M8X117	4 PARAFUSO	BOLT	TORNILLO	VIS
11	70470107				1 ADAPTADOR	ADAPTOR	ADAPTADOR	ADAPTATEUR
12	70490296			▲ 1.37 MM	1 JUNTA CABEÇOTE	JOINT	JUNTA	JOINT
12	70490297			▲ 1.48 MM	1 JUNTA CABEÇOTE	JOINT	JUNTA	JOINT
12	70490298			▲ 1.59 MM	1 JUNTA CABEÇOTE	JOINT	JUNTA	JOINT

* VIDE GRUPO 18
 SEE GROUP 18
 VÉASE GRUPO 18
 VOIR GROUPE 18

VÁLVULAS E BALANCEIRO
VALVES AND ROCKERSHAFTS
VÁLVULAS Y BALANCINES
SOUPAPES ET LEVIERS OSCILLANTS

GRUPO
GROUP
GRUPO
GROUPE

18/49



VÁLVULAS E BALANCEIRO
VALVES AND ROCKERSHAFTS
VÁLVULAS Y BALANCINES
SOUPAPES ET LEVIERS OSCILLANTS

GRUPO
GROUP
GRUPO
GROUPE

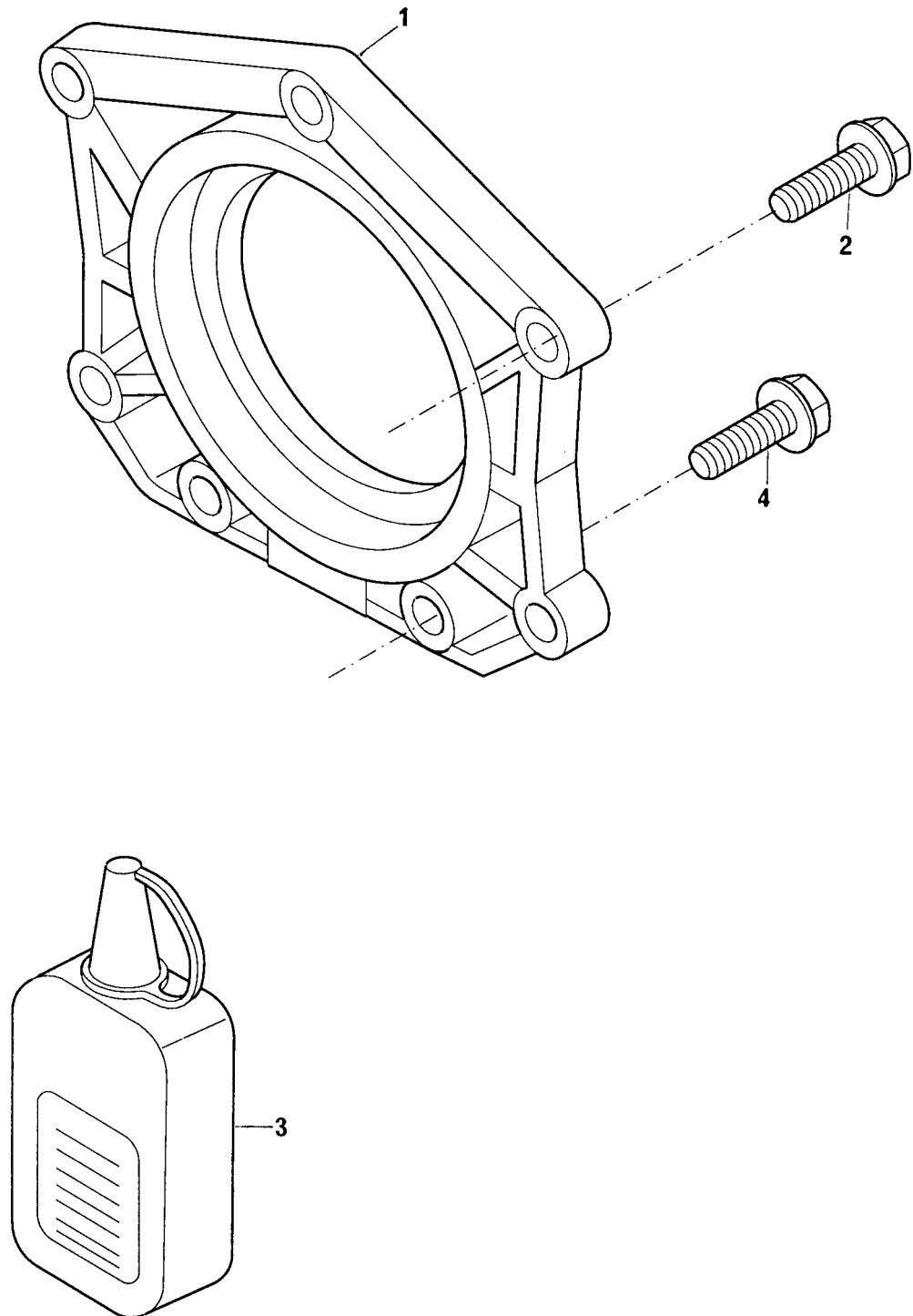
18/49

1	ERR2855	A		1	EIXO BALANCEIRO	ROCKERSHAFT ASSY	EJE BALANCINES	RAMPE CULBUTEURS
2	ERR4848	A	1	1	EIXO	SHAFT	EJE	ARBRE
3	ERR3457	A	2	2	BUJÃO	PLUG	TAPÓN	BOUCHON
4	ERR0560	A	1	8	PORCA	NUT	TUERCA	ÉCROU
5	ERR1209	A	1	6	ESPAÇADOR	SPACER	ESPACIADOR	ENTRETOISE
6	ERR2405	A	1	4	MOLA	SPRING	RESORTE	RESSORT
7	ERR2732	A	1	2	ESPAÇADOR	SPACER	ESPACIADOR	ENTRETOISE
8	ERR3342	D	1	4	BALANCEIRO	ROCKER LEVER	BALANCÍN	CULBUTEUR
9	ERR1203	B	8	4	BUCHA	BUSH	BUJE	BAGUE
10	ERR3343	D	1	4	BALANCEIRO	ROCKER LEVER	BALANCÍN	CULBUTEUR
11	ERR1203	B	10	4	BUCHA	BUSH	BUJE	BAGUE
12	ERR4883	A	1	8	PARAFUSO	BOLT	TORNILLO	VIS
13	ERR3779	A	1	5	SUPORTE	BRACKET	SOPORTE	SUPPORT
14	502473	K		8	GUIA DO TUCHO	GUIDE	GUIA	GUIDE
15	ERR0561	A		8	ROLETE	ROLLER	AGUJA	AIGUILLE
16	ERR0607	C		8	TUCHO	TAPPET	TAQUE	POUSSOIR
17	70740379			8	PARAFUSO	BOLT	TORNILLO	VIS
18	FN108041		M8	3	PORCA	NUT	TUERCA	ÉCROU
19	70820116			3	PRISIONEIRO	STUD	ESPÁRRAGO	GOUJON
20	FB108101		M8X50	2	PARAFUSO	BOLT	TORNILLO	VIS
21	70910058			4	VÁLVULA ESCAPE	EXHAUST VALVE	VÁLVULA ESCAPE	SOUPAPE ÉCHAPP
22	70910057			4	VÁLVULA ADMISSÃO	INLET VALVE	VÁLVULA ADMISIÓN	SOUPAPE ADM
23	70998173			8	VEDADOR	SEAL	RETÉN	GUARNITURE
24	ETC8193	A		8	ARRUELA	WASHER	ARANDELA	RONDELLE
25	ERR4640	A		8	MOLA	SPRING	RESORTE	RESSORT
26	70998164			8	CAPA	CAP	CASQUILLO	CUVETTE
27	ETC4069	A		16	TRAVA	COTTER	SEGURO CÓNICO	CLAVETTE
28	70860019		● 546799	8	VARETA DO TUCHO	PUSH ROD	VARILLA	TIGE DE POUSSOIR
29	70150061			8	CAPA	CAP	CASQUILLO	CUVETTE

RETENTOR TRASEIRO DA ÁRVORE DE MANIVELAS
CRANKSHAFT REAR OIL SEAL
SELLO TRASERO DE ACEITE
DÉFLECTEUR D'HUILE ARRIERE

GRUPO
GROUP
GRUPO
GROUPE

20/21



RETENTOR TRASEIRO DA ÁRVORE DE MANIVELAS
CRANKSHAFT REAR OIL SEAL
SELLO TRASERO DE ACEITE
DÉFLECTEUR D'HUILE ARRIERE

GRUPO
GROUP
GRUPO
GROUPE

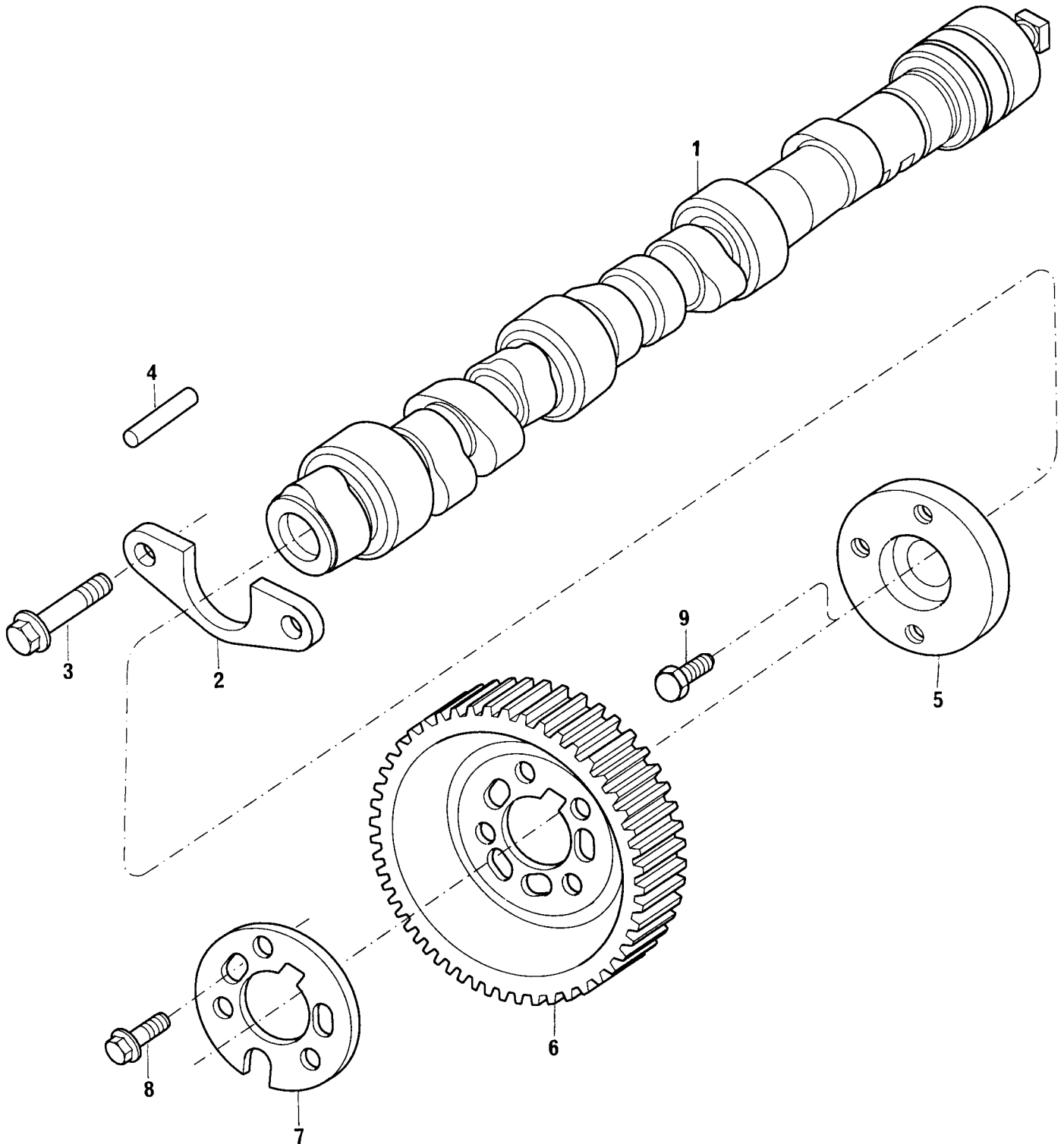
20/21

1	70730056		1	RETENTOR	SEAL	RETÉN	BAGUE ÉTANCHÉITÉ
2	FS108251	M8X25	5	PARAFUSO	BOLT	TORNILLO	VIS
3	HS044		1	JUNTA LÍQUIDA	JOINT	JUNTA	JOINT
4	70740764	M6X20	2	PARAFUSO	BOLT	TORNILLO	VIS

ÁRVORE DE COMANDO DAS VÁLVULAS
CAMSHAFT
ARBOL DE LEVAS
ARBRE À CAMES

GRUPO
GROUP
GRUPO
GROUPE

21/31



ÁRVORE DE COMANDO DAS VÁLVULAS
CAMSHAFT
ARBOL DE LEVAS
ARBRE À CAMES

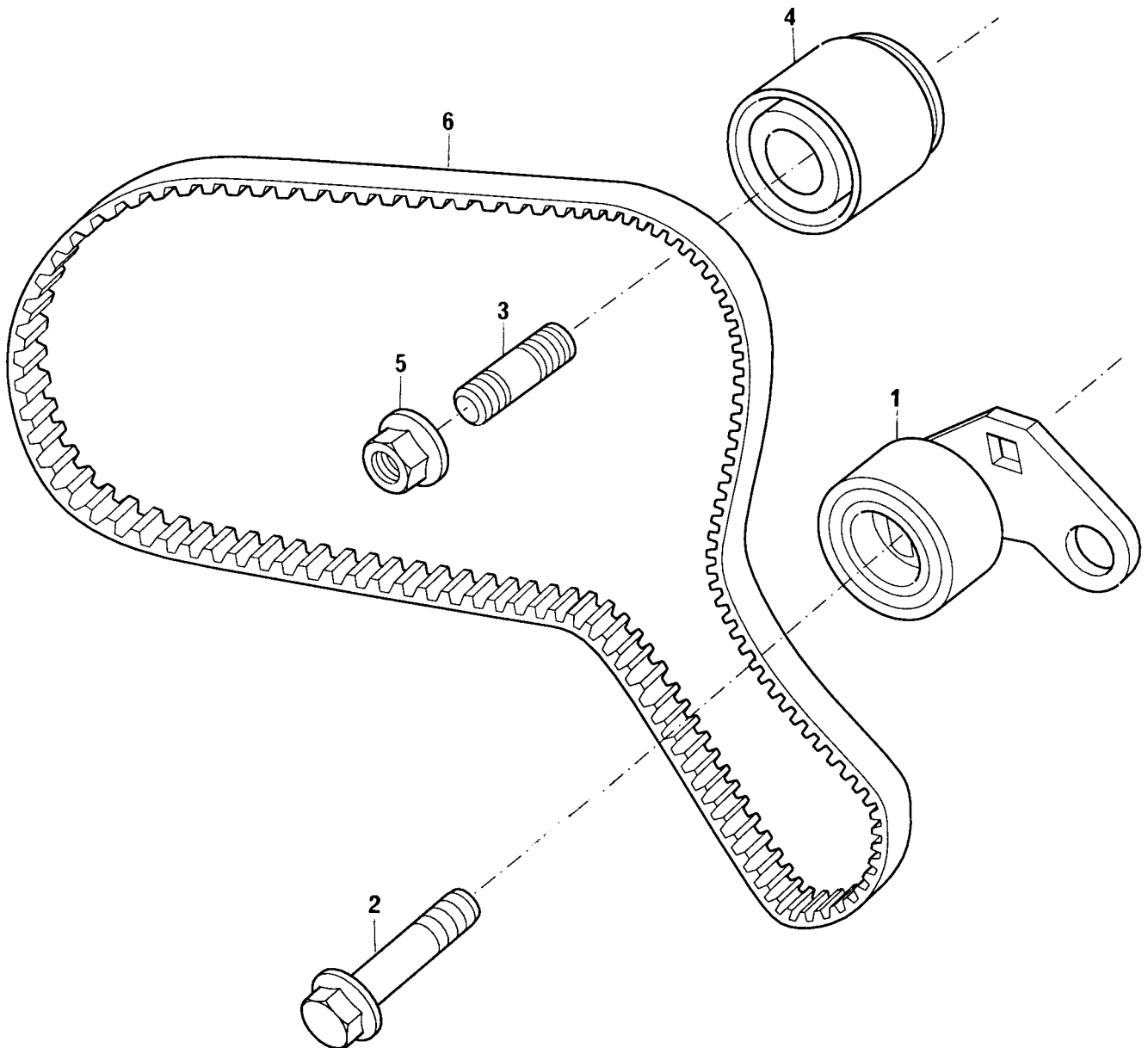
GRUPO
GROUP
GRUPO
GROUPE

21/31

1	70140008		1	ÁRVORE	CAMSHAFT	ÁRBOL DE LEVAS	ARBRE A CAMES	
2	ERR3754	A		COMANDO	PLATE	PLACA	PLAQUE	
3	FS106161		M6X16	1	PLACA RETENÇÃO	BOLT	TORNILLO	VIS
4	ERR4709	A		2	PARAFUSO	DOWEL	ESPIGA	PION
5	ERR3756	A		1	PINO GUIA	HUB	CUBO	MOYEU
6	ERR3545	B		1	CUBO	PULLEY	POLEA	POULIE
7	ERR2216	A		1	POLIA	PLATE	PLACA	PLAQUE
8	FS108161		M8X16	1	PLACA	BOLT	TORNILLO	VIS
9	FS112401		M12X40	3	PARAFUSO	BOLT	TORNILLO	VIS
				1	PARAFUSO			

CORREIA E TENSOR
BELT AND TIGHTENER
CORREA Y TENSOR
COURROIE ET TENDEUR

GRUPO
GROUP 23/02
GRUPO
GROUPE



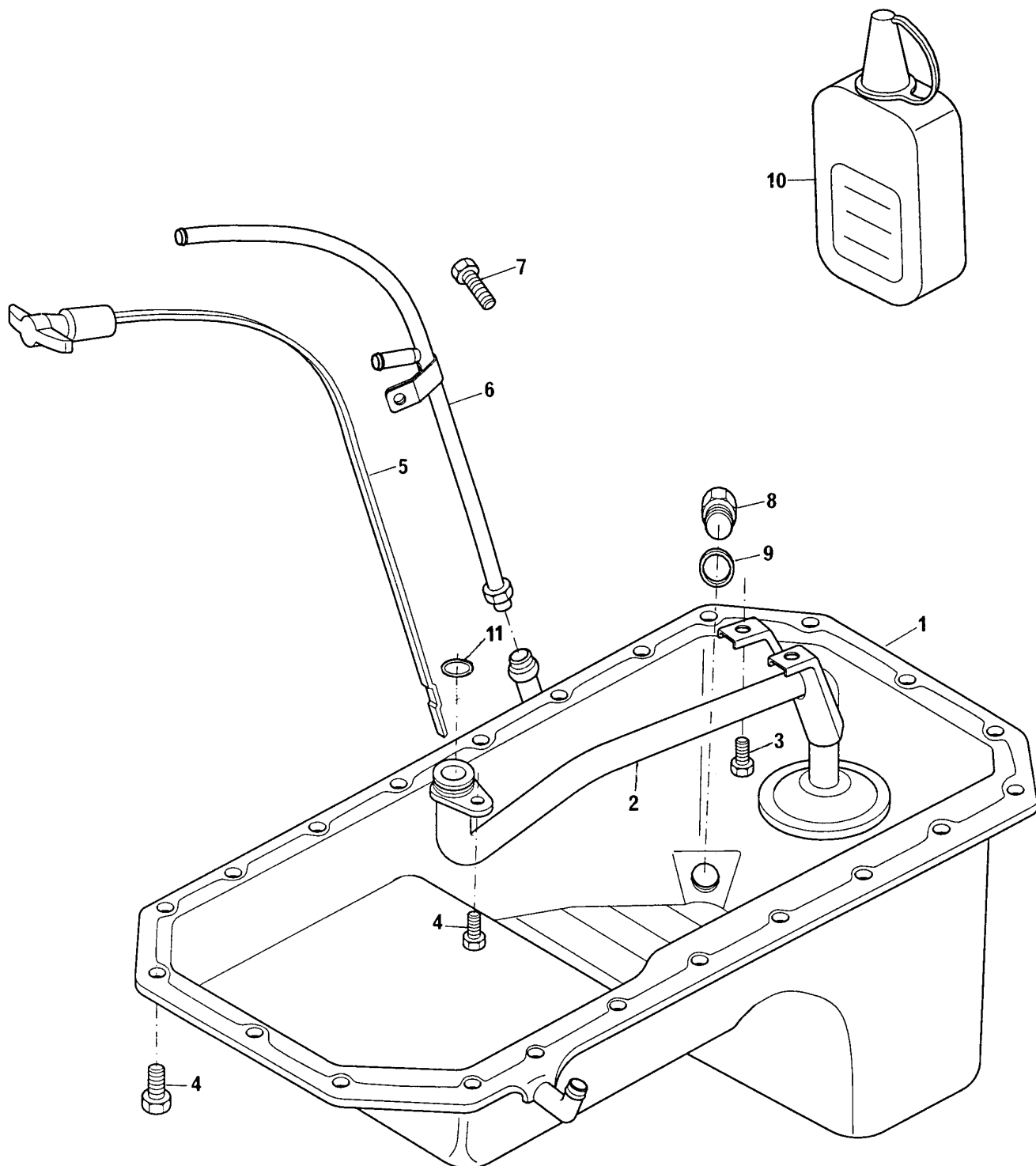
CORREIA E TENSOR
BELT AND TIGHTENER
CORREA Y TENSOR
COURROIE ET TENDEUR

GRUPO
GROUP 23/02
GRUPO
GROUPE

1	LHP100860		1	POLIA TENSORA	TENSIONER PULLEY	POLEA TENSORA	POULIE TENDEUR
2	SS110201 E	M10X20	1	PARAFUSO	BOLT	TORNILLO	VIS
3	TE110151	M10X25	1	PRISIONEIRO	STUD	ESPÁRRAGO	GOUJON
4	LHV100150		1	POLIA TENSORA	TENSIONER PULLEY	POLEA TENSORA	POULIE TENDEUR
5	FX110041	M10	1	PORCA	NUT	TUERCA	ÉCROU
6	70070086		1	CORREIA	BELT	CORREA	COURROIE

CARTER DE ÓLEO LUBRIFICANTE
LUBRICATING OIL SUMP
CÁRTER DE ACEITE LUBRICANTE
CARTER À HUILE LUBRIFIANTE

GRUPO
GROUP 31/27
GRUPO
GROUPE



CARTER DE ÓLEO LUBRIFICANTE
LUBRICATING OIL SUMP
CÁRTER DE ACEITE LUBRICANTE
CARTER À HUILE LUBRIFIANTE

GRUPO
GROUP
GRUPO
GROUPE

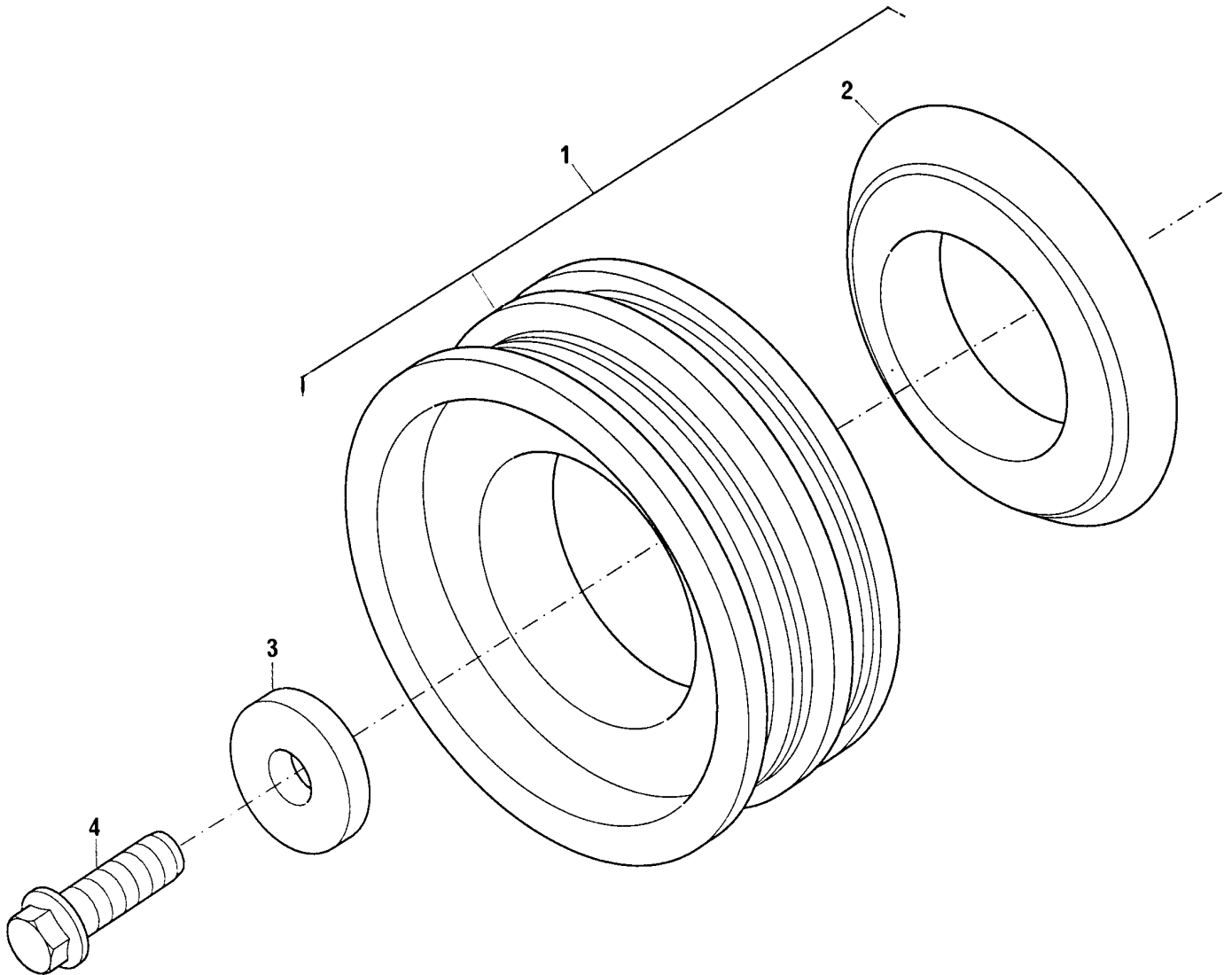
31/27

1	70993427		1	CÁRTER	SUMP	CÁRTER	CARTER
2	70992870		1	TUBO SUÇÇÃO	PIPE	CAÑO	TUYAUTERIE
3	FS106101	M6	2	PARAFUSO	BOLT	TORNILLO	VIS
4	70740769	M8X16	23	PARAFUSO	BOLT	TORNILLO	VIS
5	70320083		1	VARETA	DISPTICK	VARILLA	JAUGE
6	70620812		1	TUBO	PIPE	CAÑO	TUYAUTERIE
7	FT108201	M8X20	1	PARAFUSO	BOLT	TORNILLO	VIS
8	70650008	1	1	BUJÃO DRENO	PLUG	TAPÓN	BOUCHON
9	70920008	1	1	ARRUELA	WASHER	ARANDELA	RONDELLE
10	HS044		1	JUNTA LÍQUIDA	JOINT	JUNTA	JOINT
11	ERR3417 A	1	1	ANEL "O"	"O" RING	ARO SELLO	JOINT TORIQUE

POLIA DA ÁRVORE DE MANIVELAS
CRANKSHAFT PULLEY
POLEA DEL CIGUEÑAL
POULIE DU VILEBREQUIN

GRUPO
GROUP
GRUPO
GROUPE

32/82



POLIA DA ÁRVORE DE MANIVELAS
CRANKSHAFT PULLEY
POLEA DEL CIGUEÑAL
POULIE DU VILEBREQUIN

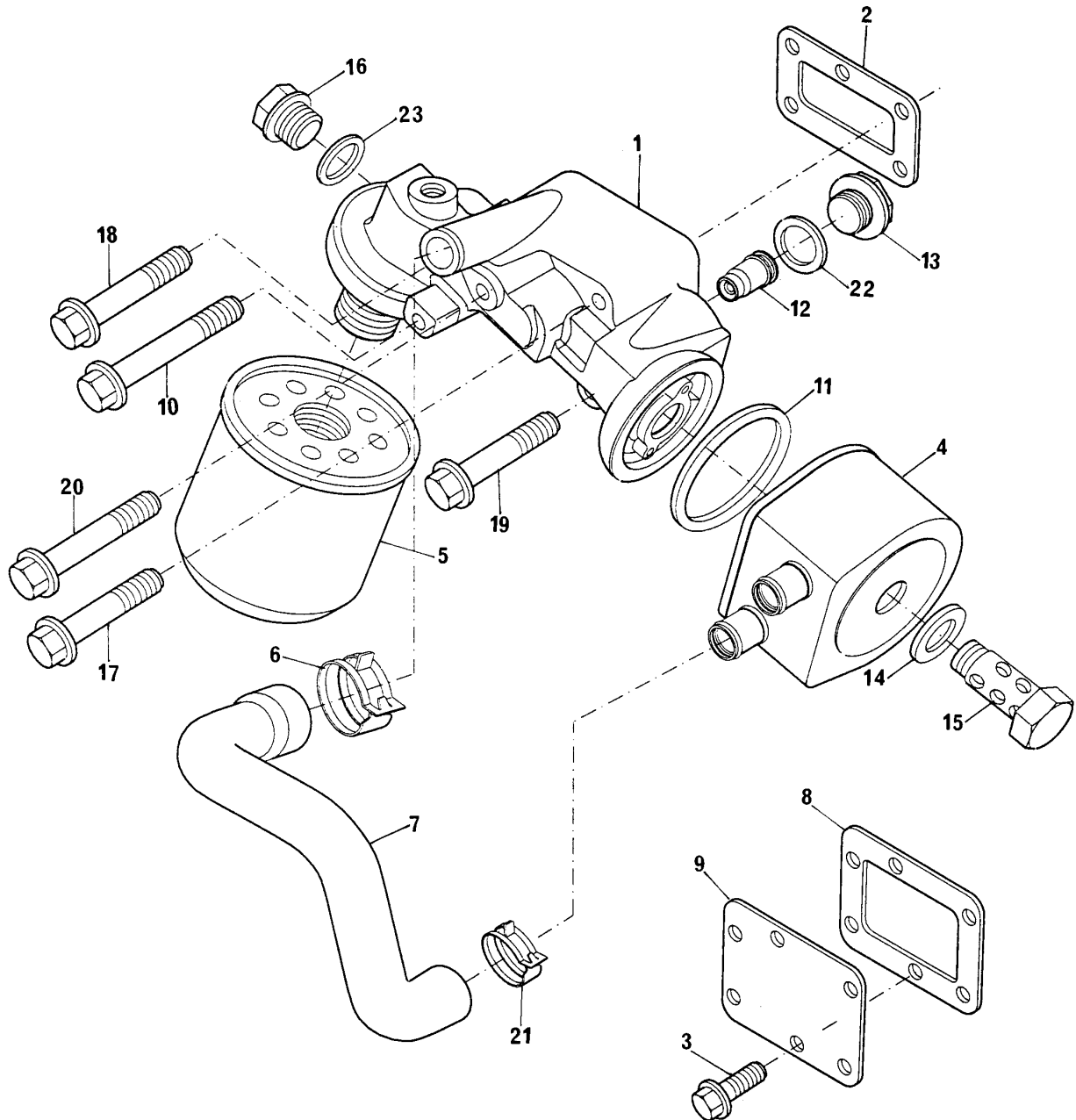
GRUPO
GROUP
GRUPO
GROUPE

32/82

1	70993368	1	POLIA	PULLEY	POLEA	POULIE
2	ERR2100 A 1	1	DEFLETOR	DEFLECTOR	DEFLECTOR	DÉFLECTEUR
3	70920174	1	ARRUELA	WASHER	ARANDELA	RONDELLE
4	70740758	1	PARAFUSO	BOLT	TORNILLO	VIS


FILTRO DE ÓLEO LUBRIFICANTE E RESFRIADOR DE ÓLEO
LUBRICATING OIL FILTER AND OIL COOLER
FILTRO DE ACEITE LUBRICANTE/REFRIGERADOR DE ACEITE
FILTRE À HUILE LUBRIFIANTE/REFROIDISSEUR D'HUILE

GRUPO
GROUP 33/165
GRUPO
GROUPE



FILTRO DE ÓLEO LUBRIFICANTE E RESFRIADOR DE ÓLEO
LUBRICATING OIL FILTER AND OIL COOLER
FILTRO DE ACEITE LUBRICANTE/REFRIGERADOR DE ACEITE
FILTRE À HUILE LUBRIFIANTE/REFROIDISSEUR D'HUILE

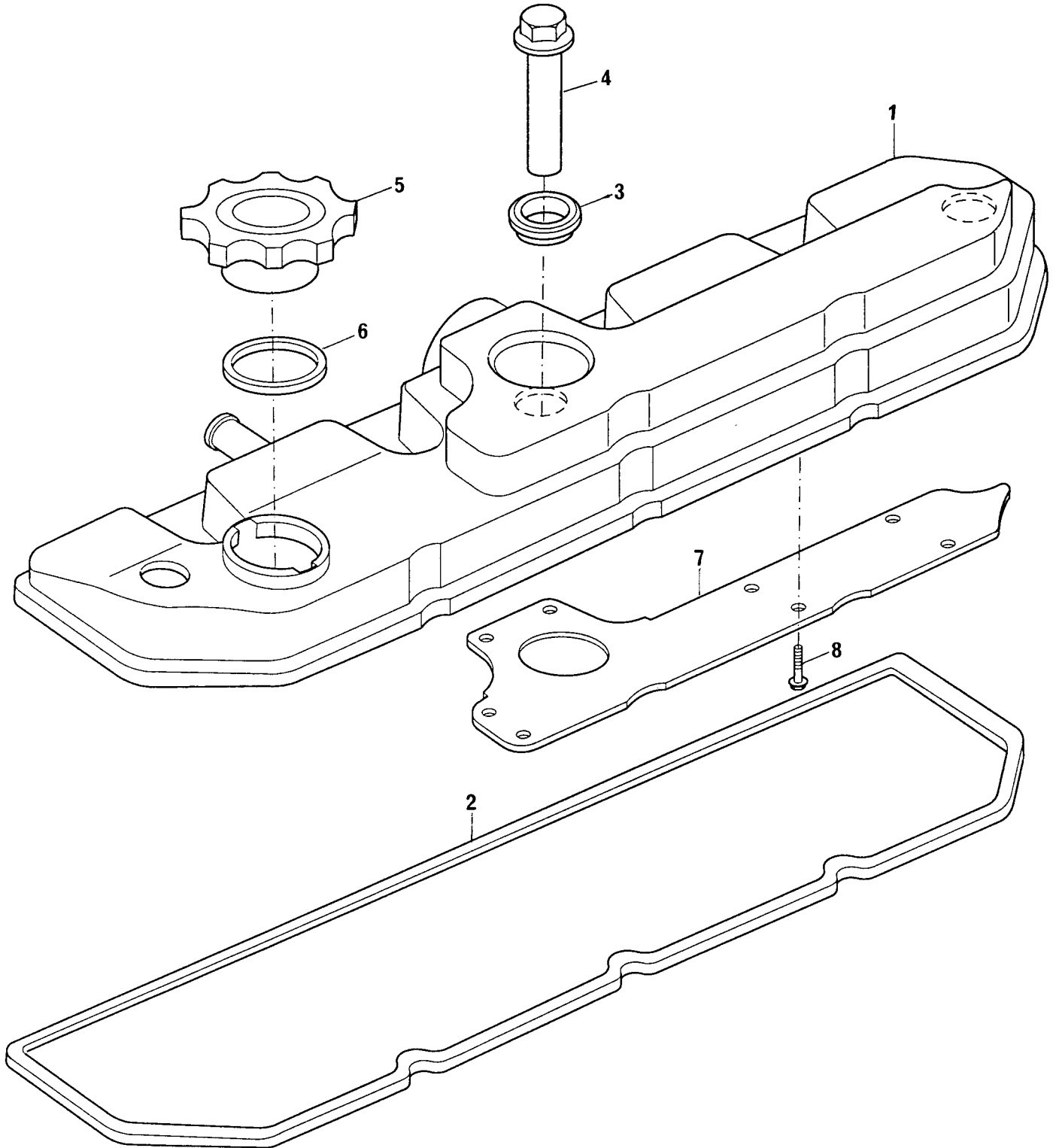
GRUPO
GROUP 33/165
GRUPO
GROUPE

1	HS090		70997146	1	CABEÇOTE FILTRO	FILTER HEAD	CABEZA FILTRO	TÊTE DE FILTRE
2	70490301			1	JUNTA	JOINT	JUNTA	JOINT
3	FT108201		M8X20	5	PARAFUSO	BOLT	TORNILLO	VIS
4	75067			1	RESFRIADOR	COOLER	REFRIGERADOR	REFROIDISSEUR
5	HS017			1	ELEMENTO	ELEMENT	ELEMENTO	ELEMENT
6	70180207			1	BRAÇADEIRA	CLAMP	ABRAZADERA	COLLIER
7	70200896			1	MANGUEIRA	HOSE	MANGUERA	DURITE
8	70490683			1	JUNTA	JOINT	JUNTA	JOINT
9	70240268			1	TAMPA	COVER	TAPA	COUVERCLE
10	FC108241		M8X120	1	PARAFUSO	BOLT	TORNILLO	VIS
11	70590010	4		1	ANEL VEDAÇÃO	SEALING RING	ANILLO SELADO	BAGUE ÉTANCHÉITE
12		1		1	VÁLVULA ALÍVIO	RELIEF VALVE	VALVULA	VALVE
13	70650148	1	M30X1,5	1	BUJÃO	PLUG	TAPON	BOUCHON
14	70920177			1	ARRUELA	WASHER	ARANDELA	RONDELLE
15	70740763			1	PARAFUSO BANJO	BANJO BOLT	TORNILLO BANJO	VIS BANJO
16	70650147		M16X1,5	1	BUJÃO	PLUG	TAPON	BOUCHON
17	FB108151		M8X75	1	PARAFUSO	BOLT	TORNILLO	VIS
18	FB108091		M8X45	1	PARAFUSO	BOLT	TORNILLO	VIS
19	FB108161		M8X80	1	PARAFUSO	BOLT	TORNILLO	VIS
20	2314H020		M8X110	1	PARAFUSO	BOLT	TORNILLO	VIS
21	70180206			1	BRAÇADEIRA	CLAMP	ABRAZADERA	COLLIER
22	70920179	1		1	ARRUELA	WASHER	ARANDELA	RONDELLE
23	70920178			1	ARRUELA	WASHER	ARANDELA	RONDELLE

TAMPA DO CABEÇOTE
CYLINDER HEAD COVER
TAPA DE VÁLVULAS
CACHE-CULBUTEURS

GRUPO
GROUP
GRUPO
GROUPE

34/116



TAMPA DO CABEÇOTE
CYLINDER HEAD COVER
TAPA DE VÁLVULAS
CACHE-CULBUTEURS

GRUPO
GROUP
GRUPO
GROUPE

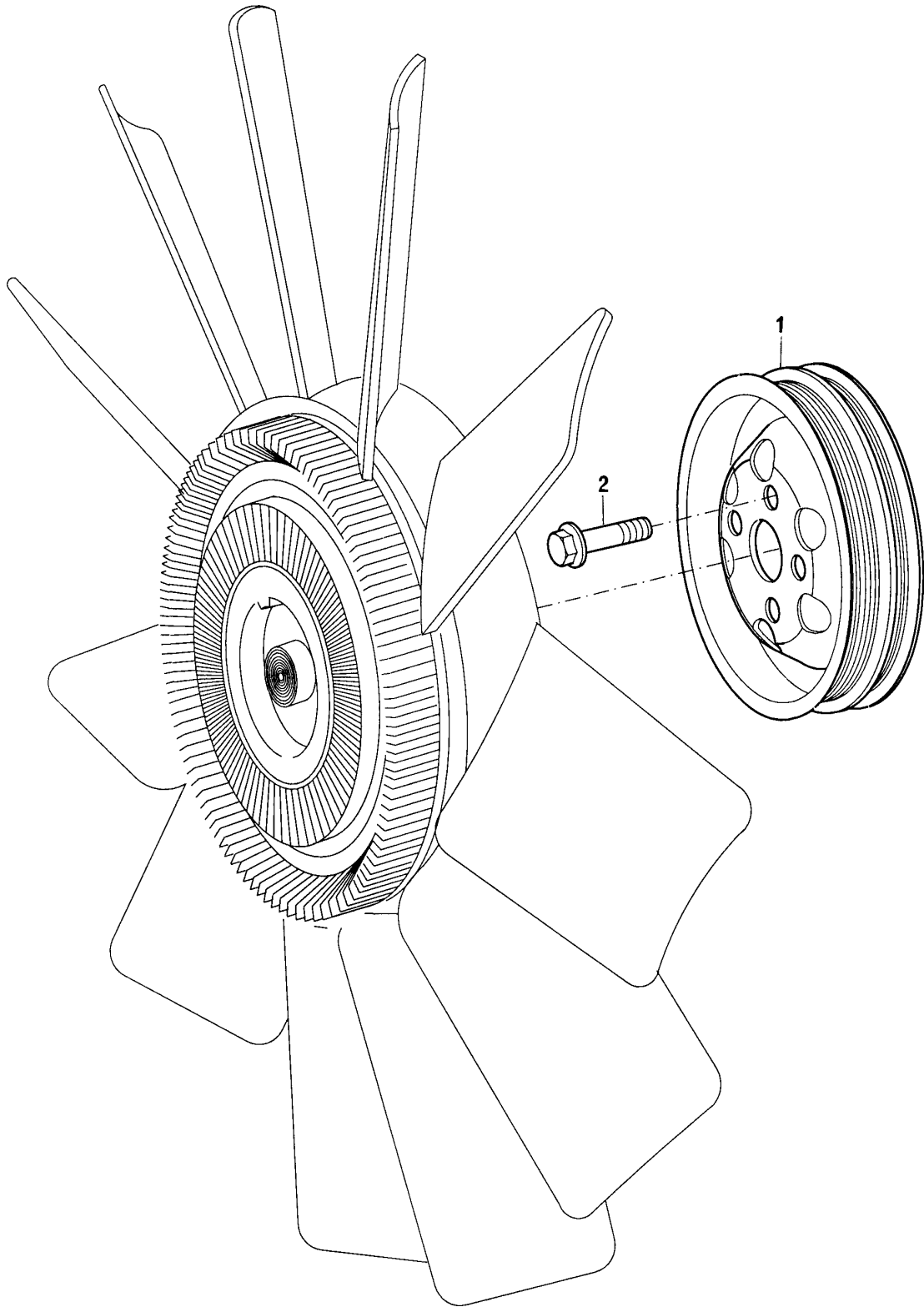
34/116

1	70993482		1	TAMPA	COVER	TAPA	COUVERCLE
2	ERR2409	B	1	JUNTA	JOINT	JUNTA	JOINT
3	ERR3424	A	3	ARRUELA	WASHER	ARANDELA	RONDELLE
4	70998161		3	PORCA	NUT	TUERCA	ÉCROU
5	ERR5041	A	1	TAMPA	COVER	TAPA	COUVERCLE
6	70590014	5	1	ANEL VEDAÇÃO	RING	ANILLO	ANNEAU
7		1	1	DEFLETOR	DEFLECTOR	DEFLECTOR	DEFLECTEUR
8	70740370	1	8	PARAFUSO	BOLT	TORNILLO	VIS

VENTILADOR E EXTENSÃO
FAN AND EXTENSION
VENTILADOR Y EXTENSIÓN
VENTILATEUR ET RALLONGE

GRUPO
GROUP
GRUPO
GROUPE

35/139



VENTILADOR E EXTENSÃO
FAN AND EXTENSION
VENTILADOR Y EXTENSIÓN
VENTILATEUR ET RALLONGE

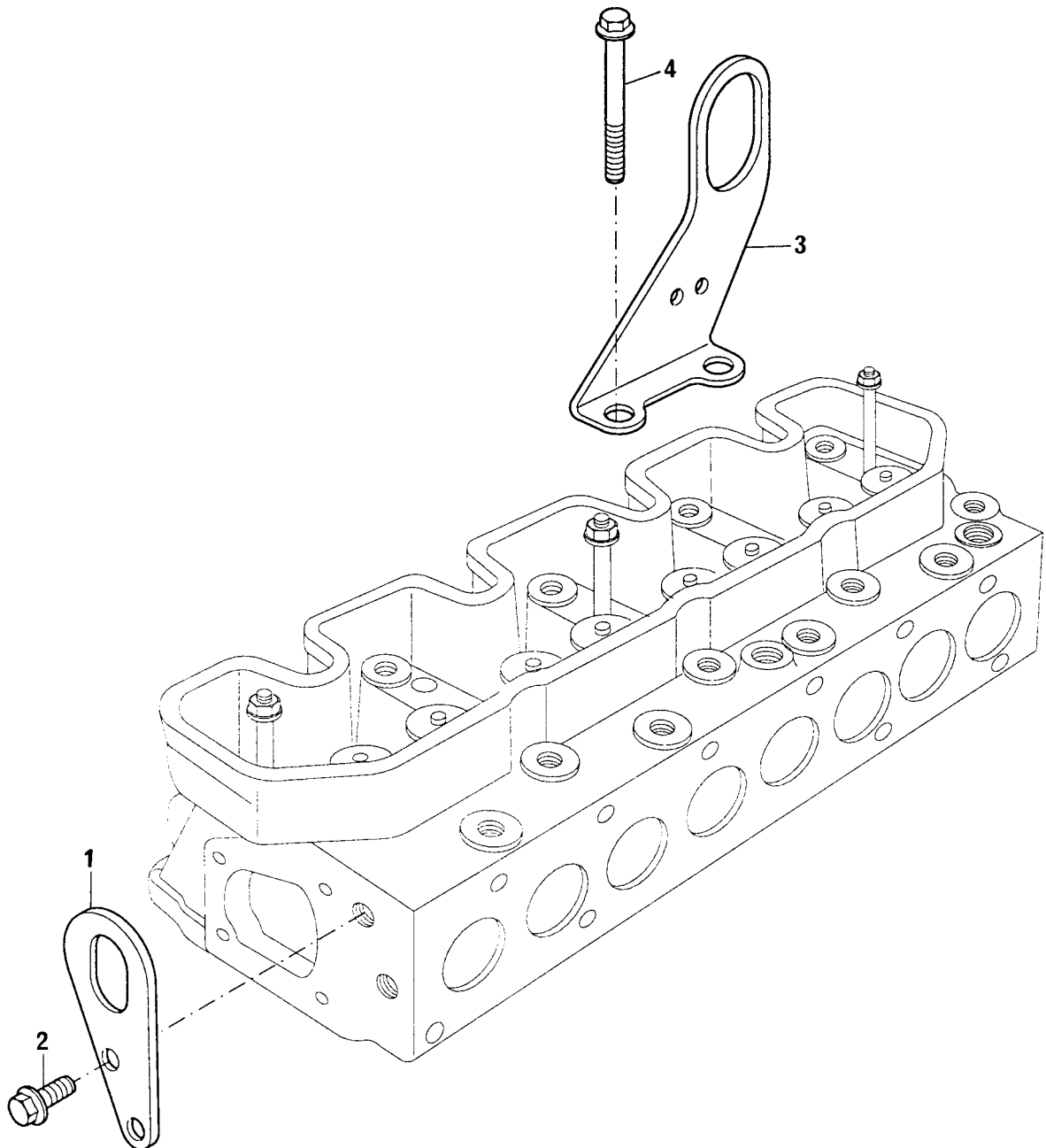
GRUPO
GROUP **35/139**
GRUPO
GROUPE

1	70670776		1	POLIA	PULLEY	POLEA	POULIE
2	FS108121	M8X12	4	PARAFUSO	BOLT	TORNILLO	VIS

ALÇA DE LEVANTAMENTO
ENGINE LIFTING
PLACA DE LEVANTADORAS DEL MOTOR
LEVAGE MOTEUR

GRUPO
GROUP
GRUPO
GROUPE

36/23



ALÇA DE LEVANTAMENTO
ENGINE LIFTING
PLACA DE LEVANTADORAS DEL MOTOR
LEVAGE MOTEUR

GRUPO
GROUP
GRUPO
GROUPE

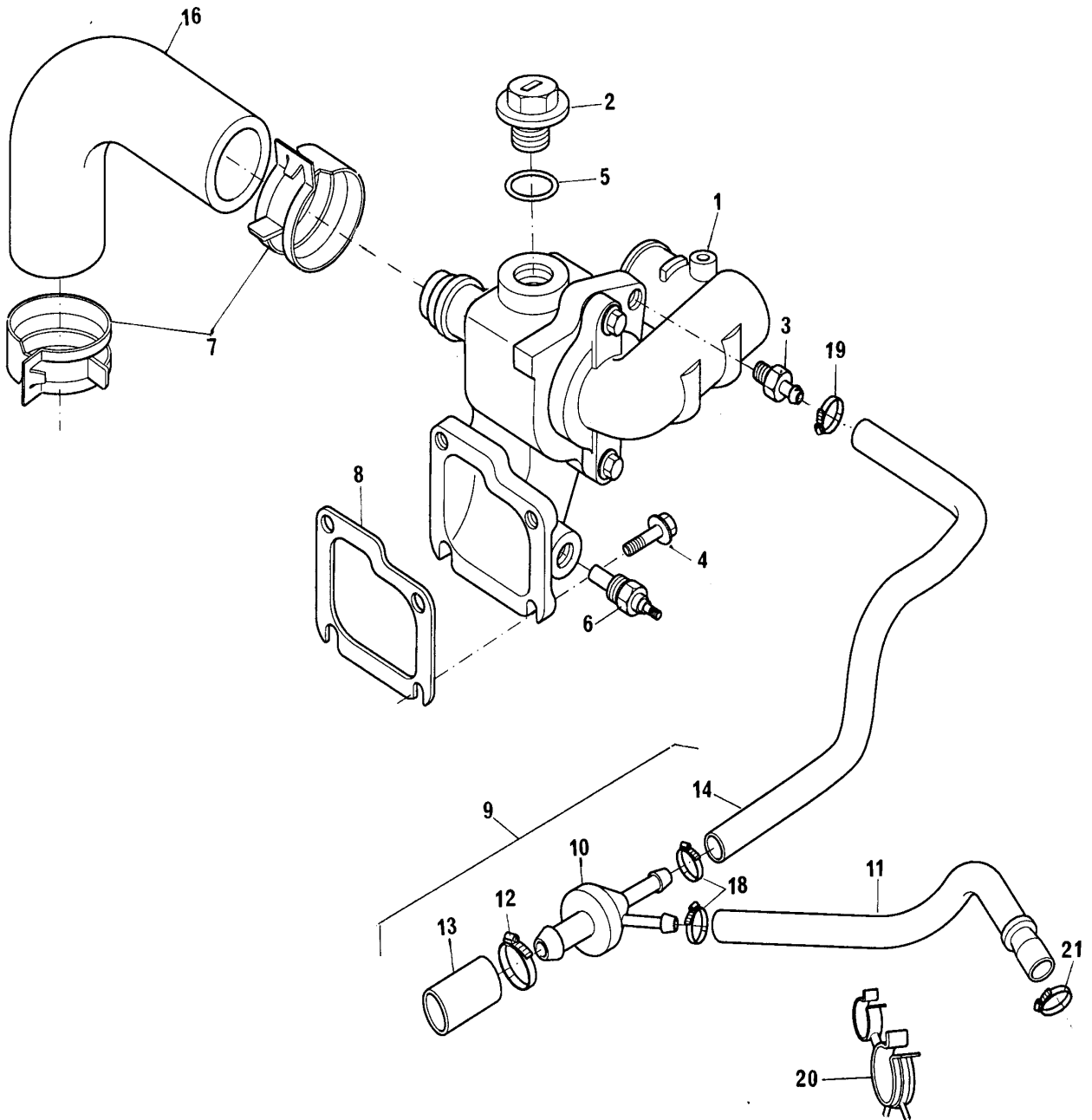
36/23

1	ETC8031	A		1	ALÇA DIANTEIRA	PLATE		PLACA	PLAQUE
2	FT108201		M8X20	2	PARAFUSO	BOLT		TORNILLO	VIS
3	70810061			1	ALÇA TRASEIRA	PLATE		PLACA	PLAQUE
4	FS108161		M8X16	1	PARAFUSO	BOLT		TORNILLO	VIS

TERMOSTATO E CARÇAÇA
THERMOSTAT AND HOUSING
TERMOSTATO Y CÂRTER
THERMOSTAT ET CARTER

GRUPO
GROUP
GRUPO
GRUPO
GROUPE

37/156



TERMOSTATO E CARÇAÇA
THERMOSTAT AND HOUSING
TERMOSTATO Y CÂRTER
THERMOSTAT ET CARTER

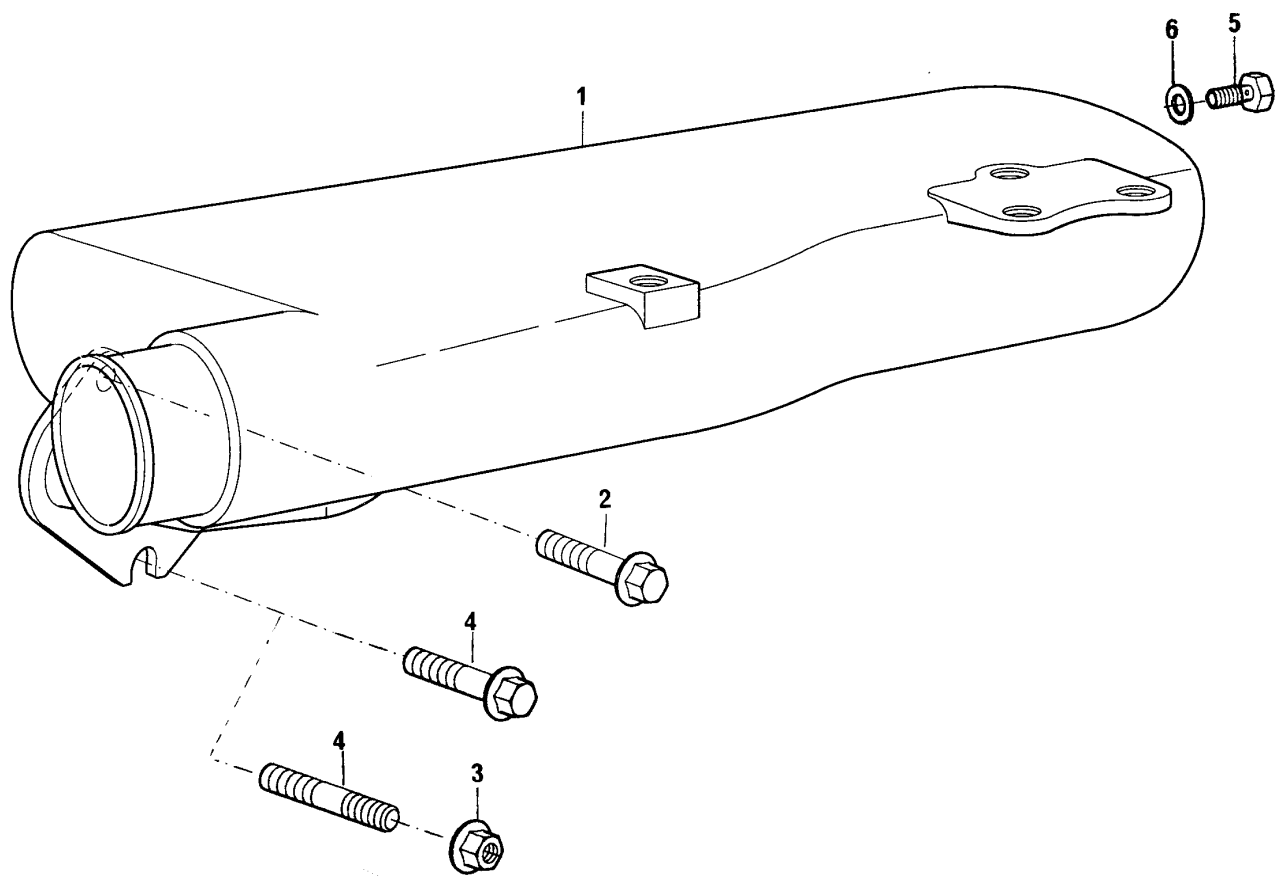
GRUPO
GROUP
GRUPO
GROUPE

37/156

1	70993465			1	CJ. CARÇAÇA	HOUSING KIT	CAJA	CARTER
2	ERR4686	A	1	1	BUJÃO	PLUG	TAPÓN	BOUCHON
3	70200798			1	CONEXÃO	CONNECTION	CONEXIÓN	RACCORD
4	FS108251		M8X25	4	PARAFUSO	BOLT	TORNILLO	VIS
5	ERR4685	A	1	1	ANEL VEDAÇÃO	SEALING RING	ANILLO SELLADO	BAGUÉ ETANCHÉITE
6	73162			1	SENSOR	SENDER	SENSOR	SONDE
7	70180206			2	BRAÇADEIRA	CLAMP	ABRAZADERA	COLLIER
8	ERR3490	A		1	JUNTA	JOINT	JUNTA	JOINT
9	70993525			1	CJ. VENTURI	VENTURY ASSY	JUEGO VENTURY	JEU VENTURY
10	ESR2348		9	1	VENTURI	VENTURY	VENTURY	VENTURY
11	70200917		9	1	MANGUEIRA	HOSE	MANGUERA	DURITE
12	70180221		9	●○ 70180153	1	BRAÇADEIRA	CLAMP	COLLIER
13	70200888		9	1	MANGUEIRA	HOSE	MANGUERA	DURITE
14	70200918		9	1	MANGUEIRA	HOSE	MANGUERA	DURITE
15	70100843		9	1	PRESILHA	CLIP	SUJETADOR	AGRAFE
16	70200784			1	MANGUEIRA	HOSE	MANGUERA	DURITE
17	ERR3622	A	1	1	CONEXÃO	CONNECTION	CONEXION	RACCORD
18	70180183		9	2	BRAÇADEIRA	CLAMP	ABRAZADERA	COLLIER
19	70180221		9	●○ CN100209	2	BRAÇADEIRA	CLAMP	COLLIER
20	70100843		9	1	PRESILHA	CLIP	SUJETADOR	AGRAFE
21	70180221		9	●○ 70180153	1	BRAÇADEIRA	CLAMP	COLLIER

COLETOR DE ADMISSÃO
INDUCTION MANIFOLD
MÚLTIPLE DE ADMISIÓN
COLLECTEUR D'ADMISSION

GRUPO
GROUP 38/148
GRUPO 38/159
GROUPE



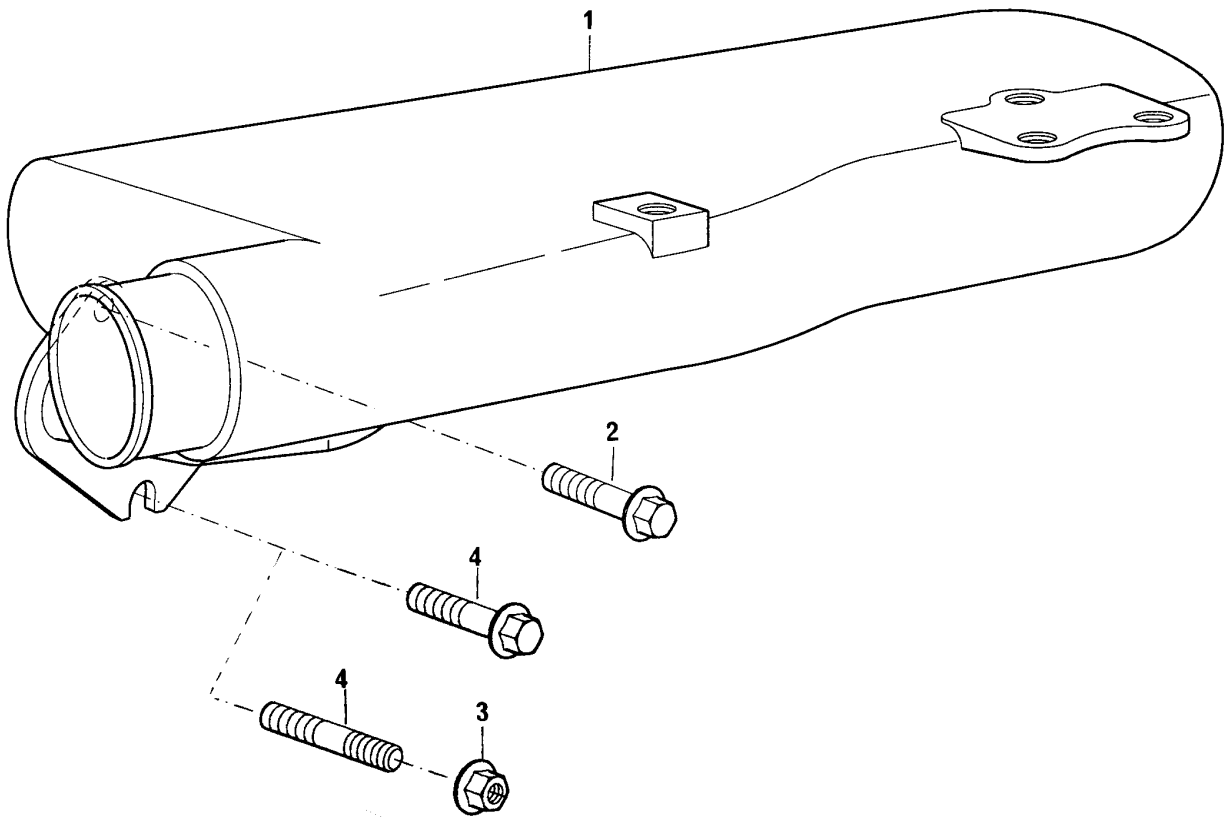
**COLETOR DE ADMISSÃO
INDUCTION MANIFOLD
MÚLTIPLE DE ADMISIÓN
COLLECTEUR D'ADMISSION**

**GRUPO
GROUP 38/148
GRUPO 38/159
GROUPE**

1	70540174		1 COLETOR ADMISSÃO	MANIFOLD	MÚLTIPLE	COLLECTEUR
2	FB108171	M8X85	2 PARAFUSO	BOLT	TORNILLO	VIS
3	FN108041	M8	2 PORCA	NUT	TUERCA	ÉCROU
4	TE108051	M8X25	2 PRISIONEIRO	STUD	ESPÁRRAGO	GOIJON
4	FS108251	M8X25	2 PARAFUSO	BOLT	TORNILLO	VIS
5	70740379		1 PARAFUSO	BOLT	TORNILLO	VIS
6	70920083		1 ARRUELA	WASHER	ARANDELA	ÉCROU

COLETOR DE ADMISSÃO
INDUCTION MANIFOLD
MÚLTIPLE DE ADMISIÓN
COLLECTEUR D'ADMISSION

GRUPO
GROUP 38/162
GRUPO
GROUPE



**COLETOR DE ADMISSÃO
INDUCTION MANIFOLD
MÚLTIPLE DE ADMISIÓN
COLLECTEUR D'ADMISSION**

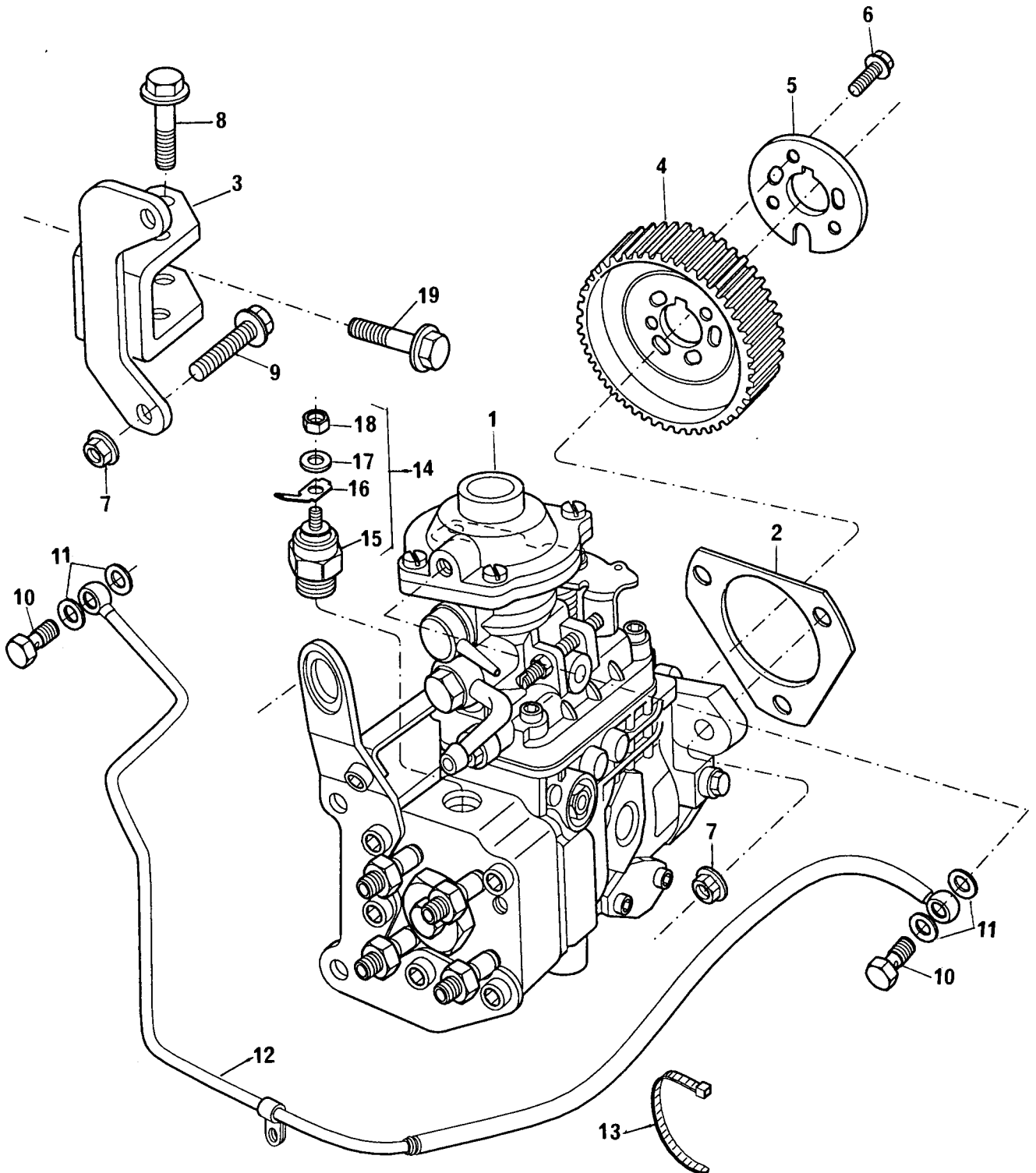
**GRUPO
GROUP
GRUPO
GROUPE** **38/162**

1	70540180		1 COLETOR ADMISSÃO	MANIFOLD	MÚLTIPLE	COLLECTEUR
2	FB108171	M8X85	2 PARAFUSO	BOLT	TORNILLO	VIS
3	FN108041	M8	2 PORCA	NUT	TUERCA	ÉCROU
4	TE108051	M8X25	2 PRISIONEIRO	STUD	ESPÁRRAGO	GOIJON
4	FS108251	M8X25	2 PARAFUSO	BOLT	TORNILLO	VIS

BOMBA INJETORA DE COMBUSTÍVEL
FUEL INJECTION PUMP
BOMBA DE INYECCIÓN DE COMBUSTIBLE
POMPE D'INJECTION DE COMBUSTIBLE

GRUPO
GROUP
GRUPO
GROUPE

39/256



BOMBA INJETORA DE COMBUSTÍVEL
FUEL INJECTION PUMP
BOMBA DE INYECCIÓN DE COMBUSTIBLE
POMPE D'INJECTION DE COMBUSTIBLE

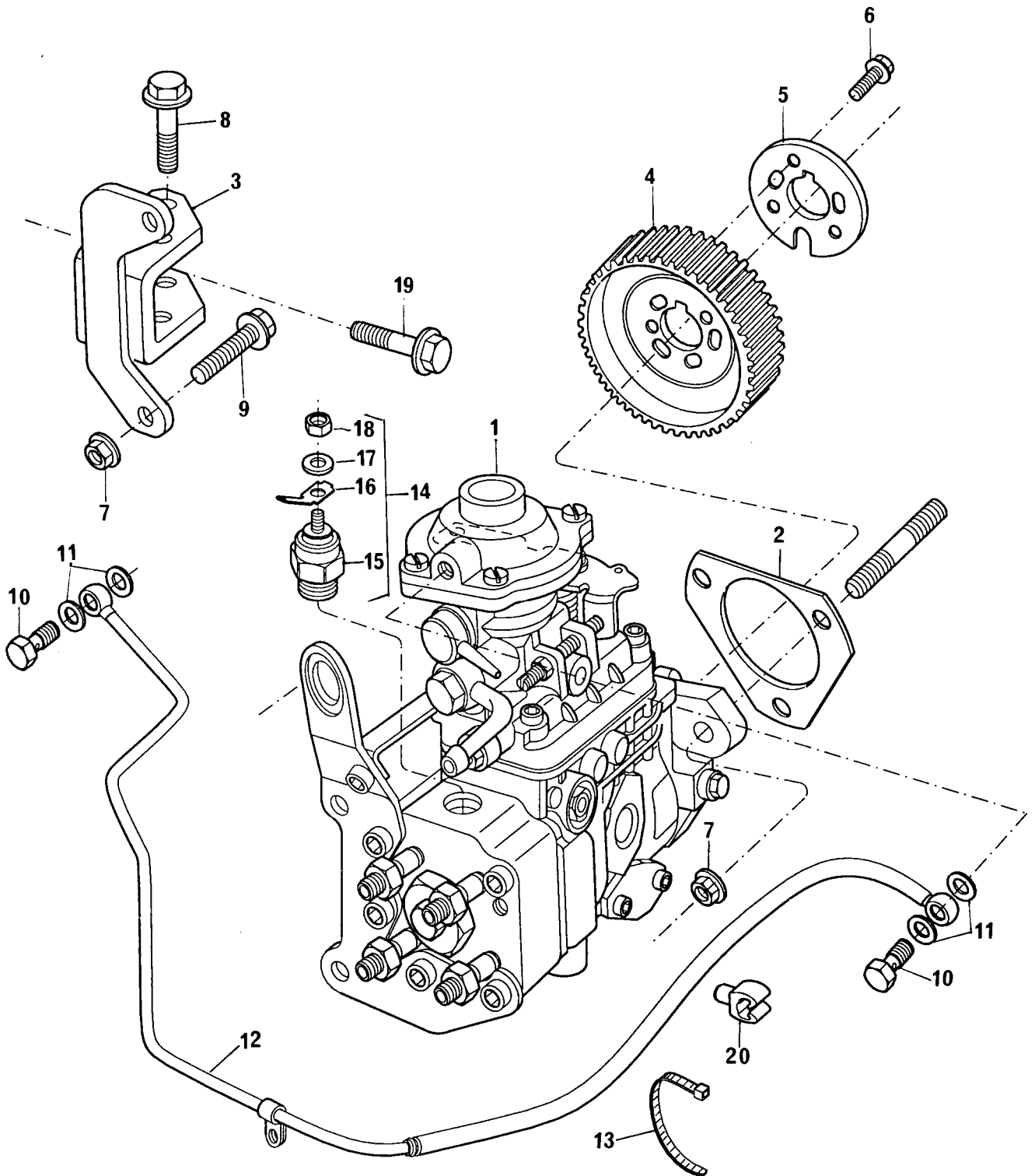
GRUPO
GROUP 39/256
GRUPO
GROUPE

1	77529		1 BOMBA INJETORA	PUMP	BOMBA	POMPE
2	ERR2023	A	1 JUNTA	JOINT	JUNTA	JOINT
3	70993469		1 SUPORTE	BRACKET	SOPORTE	SUPPORT
4	ERR3545	B	1 POLIA	PULLEY	POLEA	POULIE
5	ERR2216	A	1 PLACA	PLATE	PLACA	PLAQUE
6	FS108161		3 PARAFUSO	BOLT	TORNILLO	VIS
7	FN108041		5 PORCA	NUT	TUERCA	ÉCROU
8	FB108091		3 PARAFUSO	BOLT	TORNILLO	VIS
9	FS108251		2 PARAFUSO	BOLT	TORNILLO	VIS
10	70740375		2 PARAFUSO	BOLT	TORNILLO	VIS
11	70920083		4 ARRUELA	WASHER	ARANDELA	RONDELLE
12	70620796		1 TUBO	PIPE	CAÑO	TUYAUTERIE
13	70180179		1 PRESILHA	CLIP	SUJETADOR	AGRAFE
14	70993255	1	1 CJ. SOLENÓIDE	KIT SOLENOID	JUEGO SOLENOIDE	JEU SOLENOIDE
15	74186	14	1 SOLENOIDE	SOLENOID	SOLENOIDE	SOLENOIDE
16	74172	14	1 TERMINAL	END	TERMINAL	ROTULE
17	74173	14	1 ANEL RETENÇÃO	RETAINING RING	ARO RETÉN	ANEAU
18	74174	14	1 PORCA	NUT	TUERCA	ÉCROU
19	FC108111		2 PARAFUSO	BOLT	TORNILLO	VIS

BOMBA INJETORA DE COMBUSTÍVEL
FUEL INJECTION PUMP
BOMBA DE INYECCIÓN DE COMBUSTIBLE
POMPE D'INJECTION DE COMBUSTIBLE

GRUPO
GROUP
GRUPO
GROUPE

39/273



BOMBA INJETORA DE COMBUSTÍVEL
FUEL INJECTION PUMP
BOMBA DE INYECCIÓN DE COMBUSTIBLE
POMPE D'INJECTION DE COMBUSTIBLE

GRUPO
GROUP
GRUPO
GROUPE

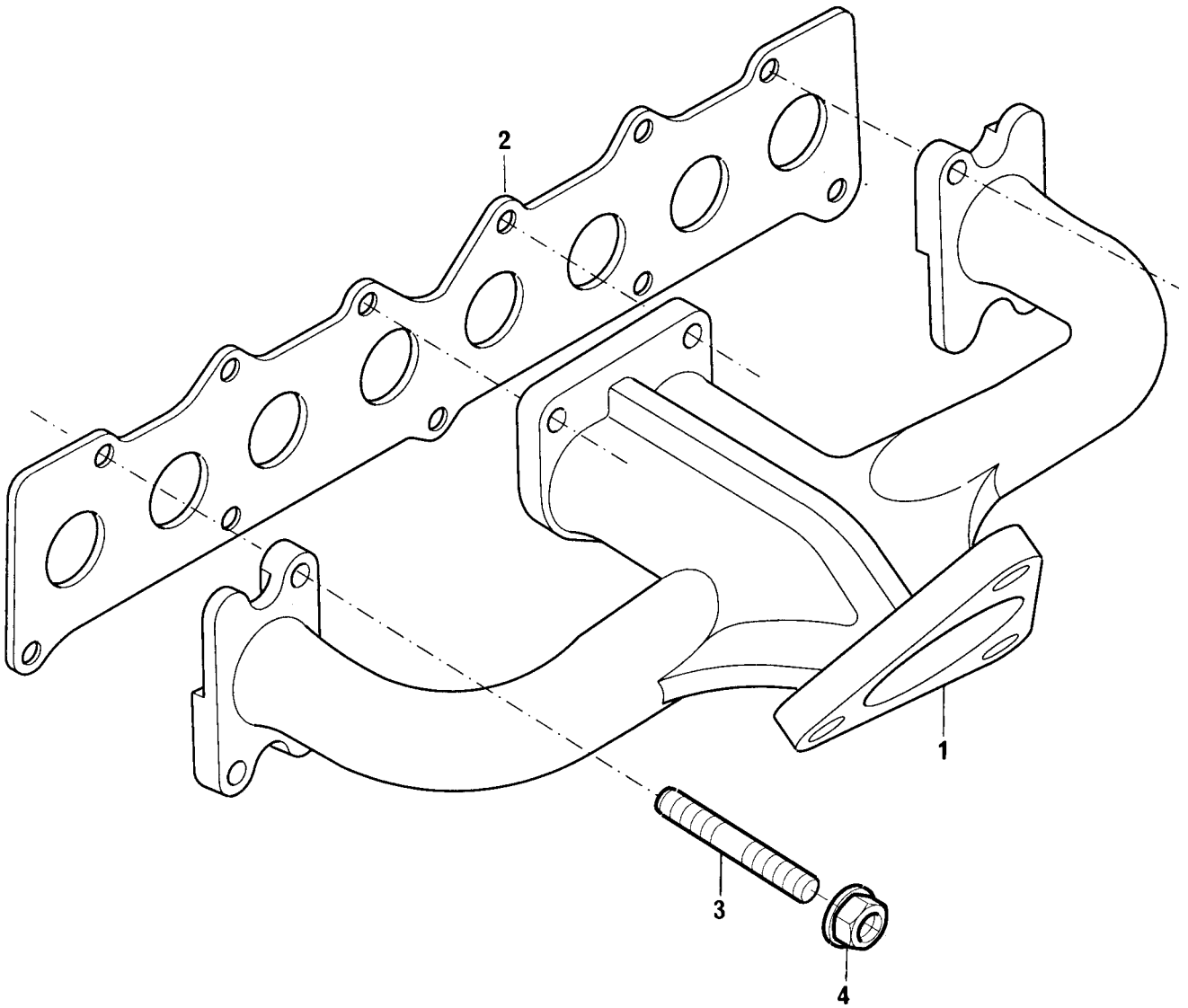
39/273

1	77528		1 BOMBA INJETORA	PUMP	BOMBA	POMPE
2	ERR2023 A		1 JUNTA	JOINT	JUNTA	JOINT
3	70993469		1 SUPORTE	BRACKET	SOPORTE	SUPPORT
4	ERR3545 B		1 POLIA	PULLEY	POLEA	POULIE
5	ERR2216 A		1 PLACA	PLATE	PLACA	PLAQUE
6	FS108161	M8X16	3 PARAFUSO	BOLT	TORNILLO	VIS
7	FN108041	M8	5 PORCA	NUT	TUERCA	ÉCROU
8	FB108091	M8X45	3 PARAFUSO	BOLT	TORNILLO	VIS
9	FS108251	M8X25	2 PARAFUSO	BOLT	TORNILLO	VIS
10	70740375		1 PARAFUSO	BOLT	TORNILLO	VIS
11	70920083		2 ARRUELA	WASHER	ARANDELA	RONDELLE
12	70620818		1 TUBO	PIPE	CAÑO	TUYAUTERIE
13	70180179		1 PRESILHA	CLIP	SUJETADOR	AGRAFE
14	70993255	1	1 CJ. SOLENÓIDE	KIT SOLENOID	JUEGO SOLENOIDE	JEU SOLENOIDE
15	74186	14	1 SOLENOIDE	SOLENOID	SOLENOIDE	SOLENOIDE
16	74172	14	1 TERMINAL	END	TERMINAL	ROTULE
17	74173	14	1 ANEL RETENÇÃO	RETAINING RING	ARO RETÉN	ANEAU
18	74174	14	1 PORCA	NUT	TUERCA	ÉCROU
19	FC108111	M8X55	2 PARAFUSO	BOLT	TORNILLO	VIS
20	70100848		3 PRESILHA	CLIP	SUJETADOR	AGRAFE

COLETOR DE ESCAPE
EXHAUST MANIFOLD
MULTIPLE DE ESCAPE
COLLECTEUR D'ÉCHAPPEMENT

GRUPO
GROUP
GRUPO
GROUPE

41/82



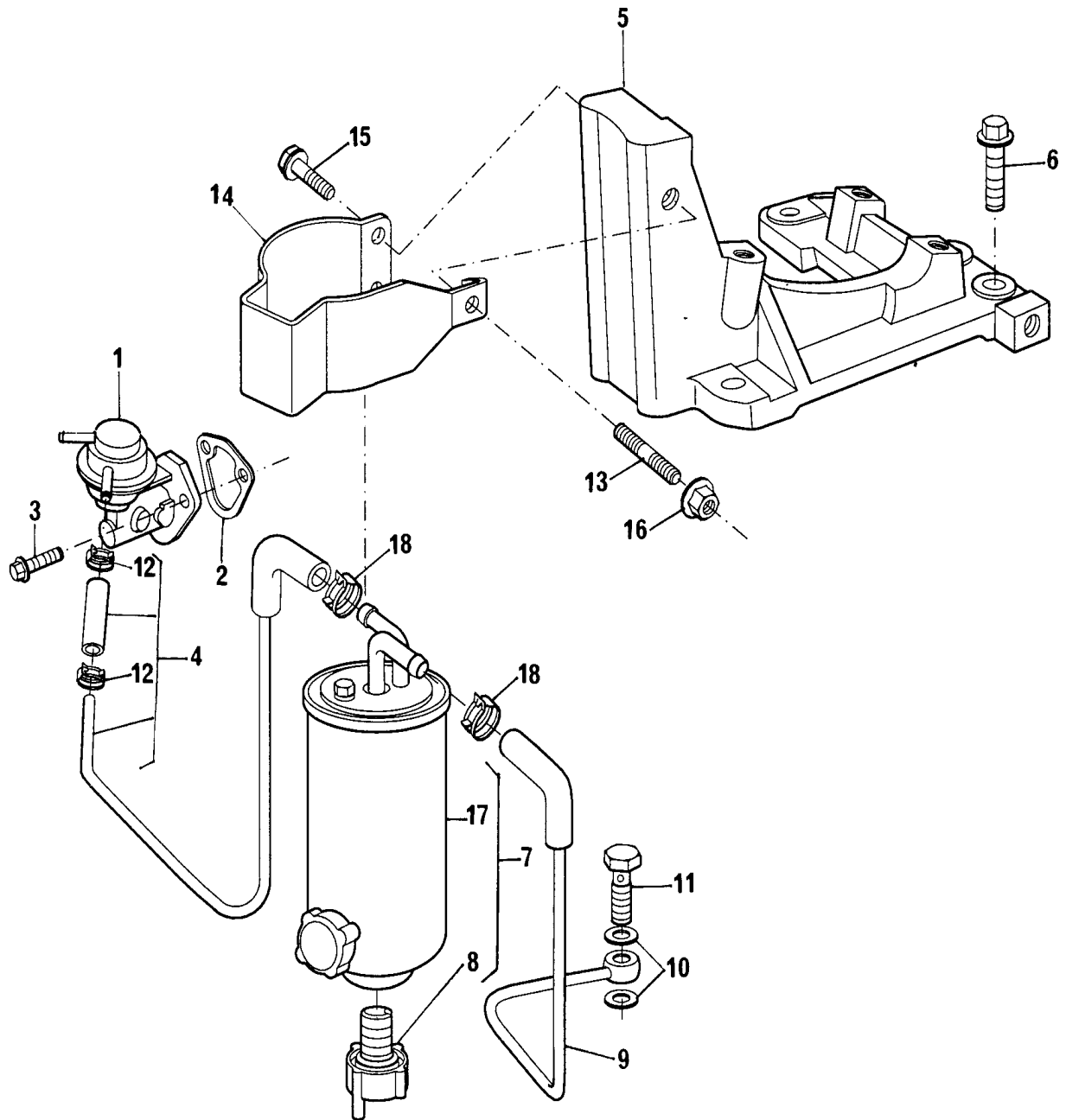
**COLETOR DE ESCAPE
EXHAUST MANIFOLD
MULTIPLE DE ESCAPE
COLLECTEUR D'ÉCHAPPEMENT**

**GRUPO
GROUP
GRUPO
GRUPE** 41/82

1	70540173		1	COLETOR ESCAPE	MANIFOLD	MÚLTIPLE	COLLECTEUR
2	70490299		1	JUNTA	JOINT	JUNTA	JOINT
3	TE110051	M10X25	7	PRISIONEIRO	STUD	ESPÁRRAGO	GOUJON
4	FX110041	M10	7	PORCA	NUT	TUERCA	ÉCROU

BOMBA ALIMENTADORA E FILTRO DE COMBUSTÍVEL
LIFT PUMP AND FUEL OIL FILTERS
BOMBA DE ALIMENTACIÓN Y FILTRO ACEITE COMBUSTIBLE
POMPE D'ALIMENTATION ET FILTRES A HUILE COMBUST.

GRUPO
GROUP 42/252
GRUPO
GROUPE



BOMBA ALIMENTADORA E FILTRO DE COMBUSTÍVEL
LIFT PUMP AND FUEL OIL FILTERS
BOMBA DE ALIMENTACIÓN Y FILTRO ACEITE COMBUSTIBLE
POMPE D'ALIMENTATION ET FILTRES A HUILE COMBUST.

GRUPO
GROUP 42/252
GRUPO
GROUPE

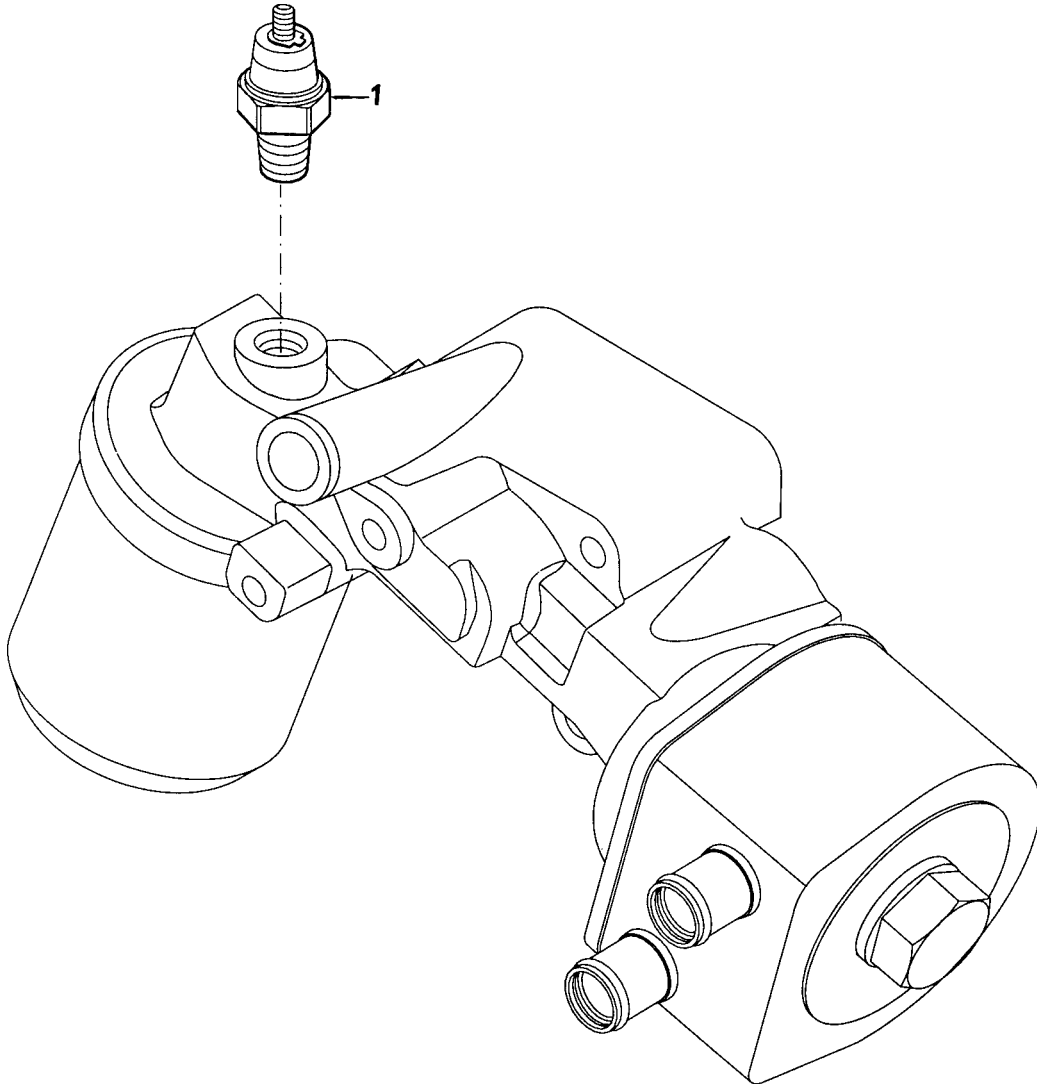
1	72119			1 BOMBA ALIMENT.	LIFT PUMP	BOMBA	POMPE
2	ERR2028	B		1 JUNTA	JOINT	JUNTA	JOINT
3	FT108201		M8X20	2 PARAFUSO	BOLT	TORNILLO	VIS
4	70993474			1 TUBO	PIPE	CAÑO	TUYAUTERIE
5	70100817			1 SUPORTE	BRACKET	SOPORTE	SUPPORT
6	FT110351		M10X35	5 PARAFUSO	BOLT	TORNILLO	VIS
7	70993495		(A)	1 FILTRO	FILTER	FILTRO	FILTRE
7	70993550		(B)	1 FILTRO	FILTER	FILTRO	FILTRE
8	73169	7		1 SENSOR	SENDER	SENSOR	SONDE
9	70993475			1 TUBO	PIPE	CAÑO	TUYAUTERIE
10	ERR0894	A	●○ 70920175	2 ARRUELA	WASHER	ARANDELA	RONDELLE
11	70740733			1 PARAFUSO BANJO	BANJO BOLT	TORNILLO BANJO	VIS BANJO
12	70180183			2 BRAÇADEIRA	CLAMP	ABRAZADERA	COLLIER
13	TE108051		M8X25	1 PRISIONEIRO	STUD	ESPÁRRAGO	GOUJON
14	70100828			1 SUPORTE	BRACKET	SOPORTE	SUPPORT
15	FS108121		M8X12	2 PARAFUSO	BOLT	TORNILLO	VIS
16	FX108051		M8	1 PORCA	NUT	TUERCA	ÉCROU
17	72121	7	(A)	1 FILTRO	FILTER	FILTRO	FILTRE
17	72134	7	(B)	1 FILTRO	FILTER	FILTRO	FILTRE
18	70180202			2 BRAÇADEIRA	CLAMP	ABRAZADERA	COLLIER

(A) → B60 605435
 B61 606502
 (B) → B60 605436
 B61 606503

TOMADA PARA MANOMETRO DE ÓLEO
OIL PRESSURE GAUGE FITTING
TOMA PARA MANOMETRO DE ACEITE
PRISE POUR MANOMETRE D'HUILE

GRUPO
GROUP
GRUPO
GROUPE

43/71



TOMADA PARA MANOMETRO DE ÓLEO
OIL PRESSURE GAUGE FITTING
TOMA PARA MANOMETRO DE ACEITE
PRISE POUR MANOMETRE D'HUILE

GRUPO
GROUP 43/71
GRUPO
GROUPE

1 73151

1 SENSOR

SENDER

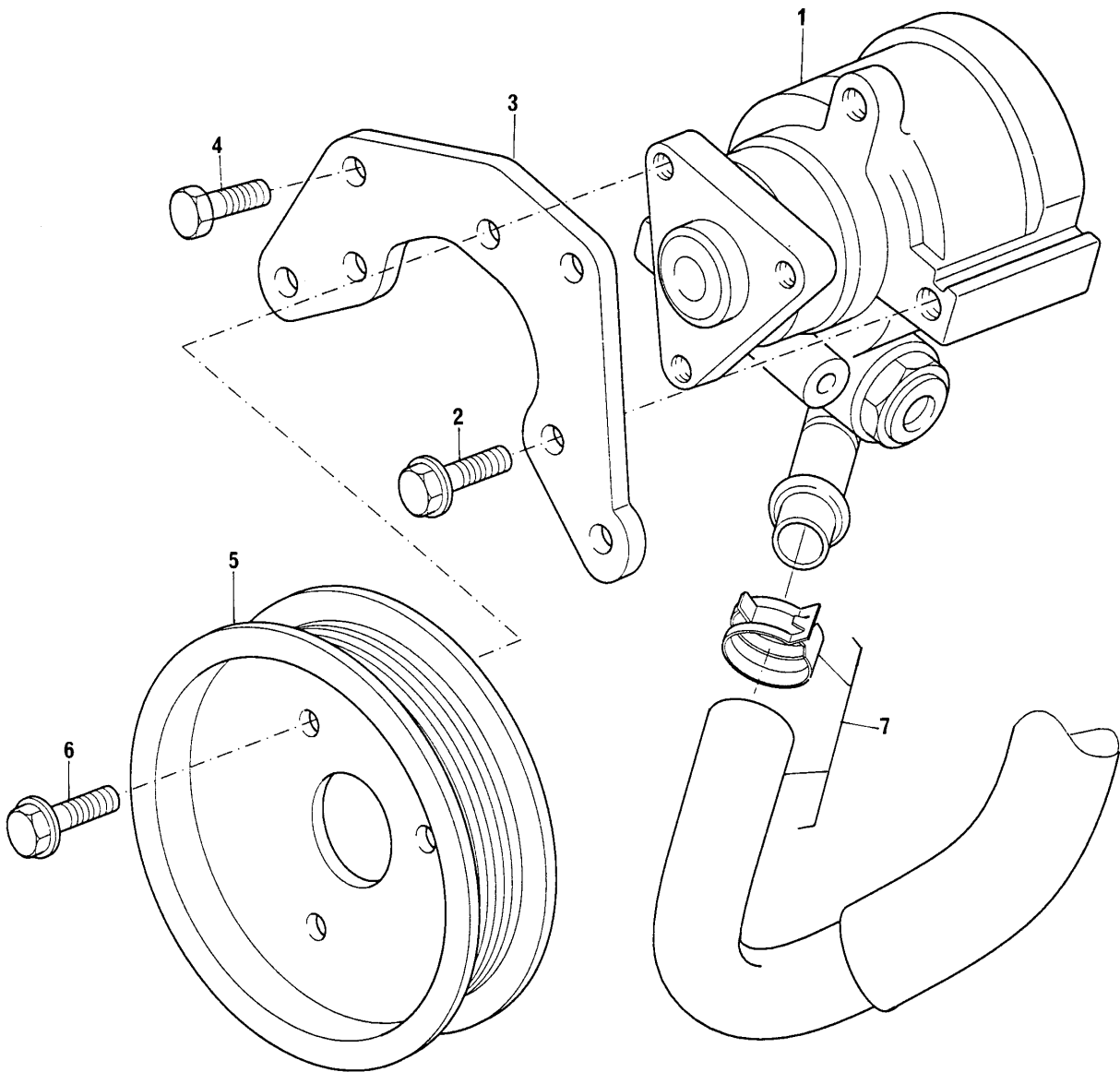
SENSOR

SONDE

TOMADA DE FORÇA
POWER TAKE-OFF
TOMA DE POTENCIA
PRISE DE PUISSANCE

GRUPO
GROUP
GRUPO
GROUPE


44/141



**TOMADA DE FORÇA
POWER TAKE-OFF
TOMA DE POTENCIA
PRISE DE PUISSANCE**

**GRUPO
GROUP
GRUPO
GROUPE**

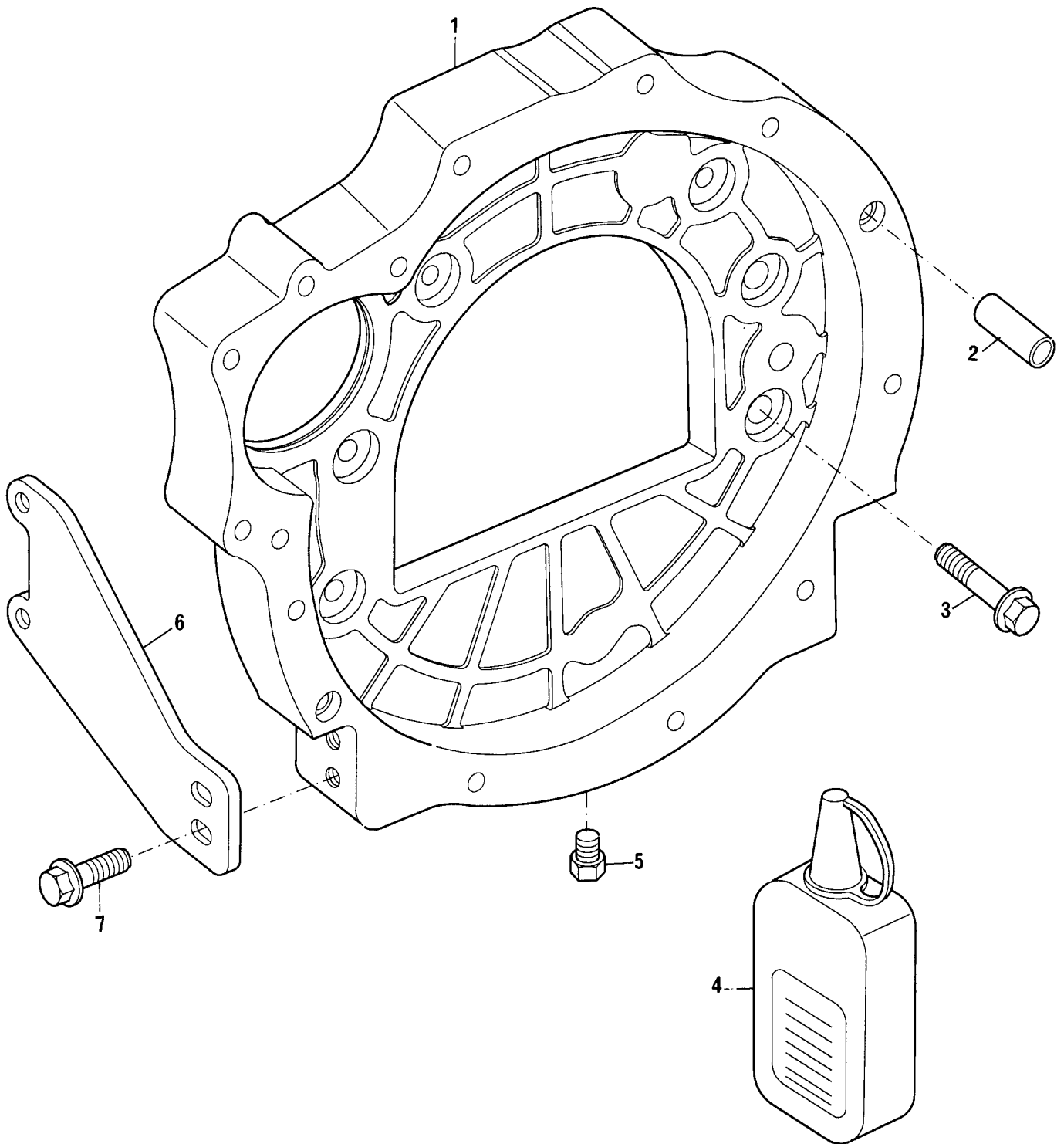
44/141

1	71175		71155	1 BOMBA HIDRÁULICA	PUMP	BOMBA	POMPE
2	FT108201		M8X20	3 PARAFUSO	BOLT	TORNILLO	VIS
3	ERR2228 A			1 SUPORTE	BRACKET	SOPORTE	SUPPORT
4	FT108201		M8X20	4 PARAFUSO	BOLT	TORNILLO	VIS
5	70670202			1 POLIA	PULLEY	POLEA	POULIE
6	FS108121		M8X12	3 PARAFUSO	BOLT	TORNILLO	VIS
7	70200919			1 MANGUEIRA	HOSE	MANGUERA	DURITE

CARÇAÇA DO VOLANTE
FLYWHEEL HOUSING
CARTER DEL VOLANTE
CARTER DU VOLANT

GRUPO
GROUP
GRUPO
GROUPE

45/133



CARÇAÇA DO VOLANTE
FLYWHEEL HOUSING
CARTER DEL VOLANTE
CARTER DU VOLANT

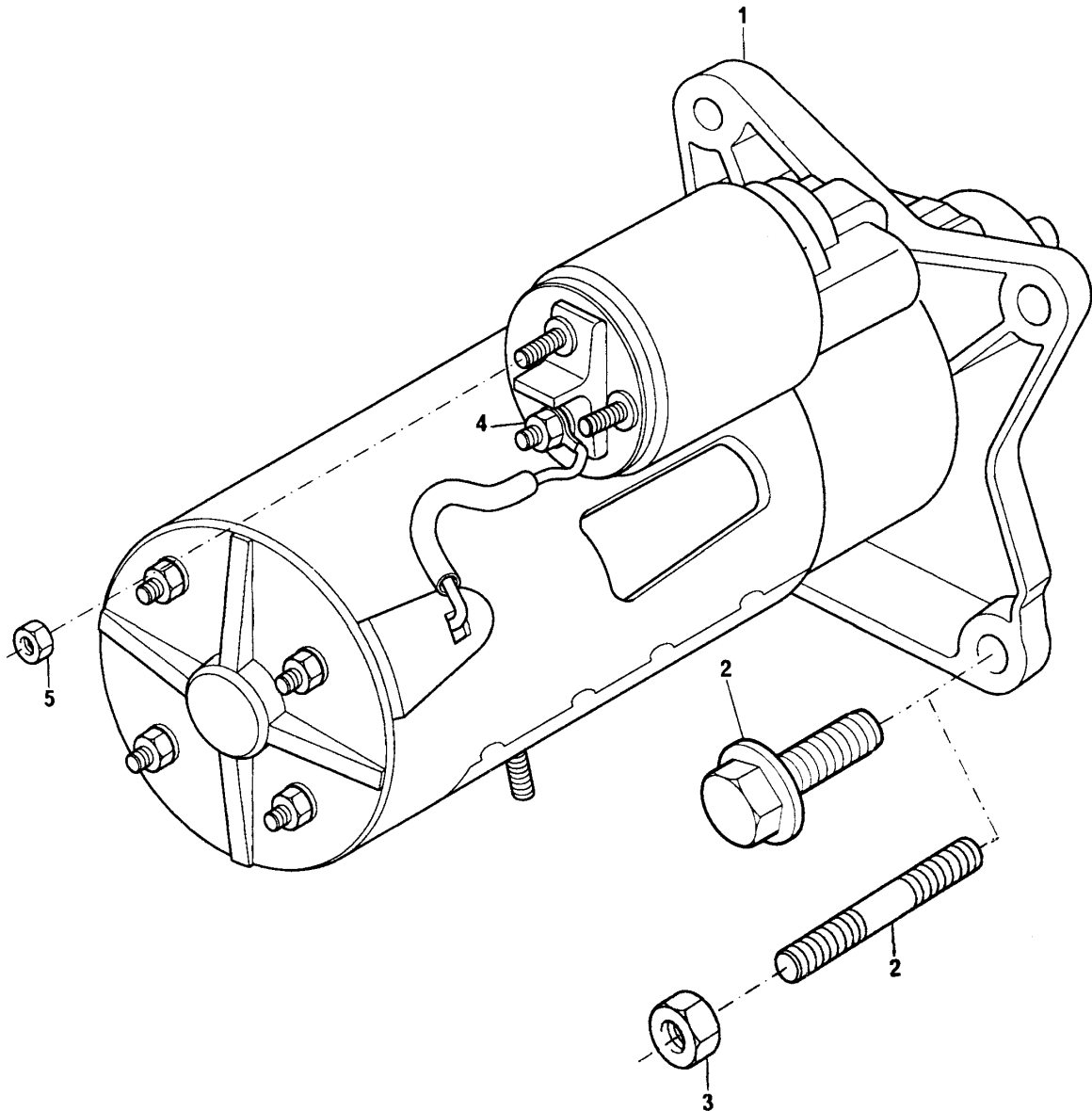
GRUPO
GROUP 45/133
GRUPO
GROUPE

1	70993467		1	PLACA ADAPTADORA	PLATE	PLACA	PLAQUE
2	70610068	1	2	ANEL GUIA	RING	ANILLO	ANNEAU
3	FS110301	M10X30	5	PARAFUSO	BOLT	TORNILLO	VIS
3	FT110351	M10X35	1	PARAFUSO	BOLT	TORNILLO	VIS
4	HS044		1	JUNTA LÍQUIDA	JOINT	JUNTA	JOINT
5	ERC7295 B		1	BUJÃO	PLUG	TAPON	BOUCHON
6	70100820		2	SUPORTE	BRACKET	SOPORTE	SUPPORT
7	FS110201	M10X25	4	PARAFUSO	BOLT	TORNILLO	VIS

MOTOR DE PARTIDA
STARTER MOTOR
MOTOR DE ARRANQUE
DEMARREUR

GRUPO
GROUP
GRUPO
GROUPE

46/69



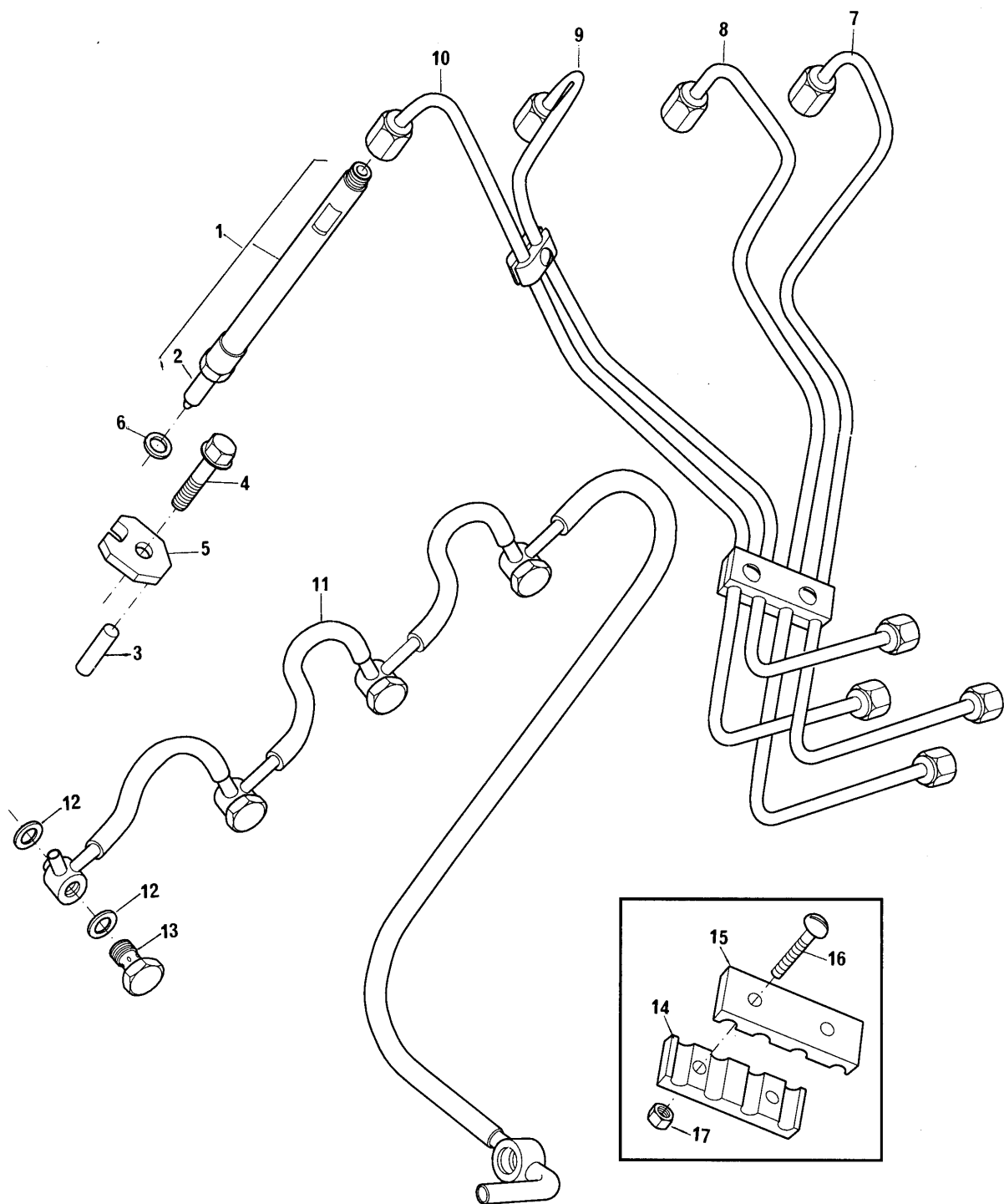
MOTOR DE PARTIDA
STARTER MOTOR
MOTOR DE ARRANQUE
DEMARREUR

GRUPO
GROUP 46/69
GRUPO
GROUPE

1	74198		1	MOTOR DE PARTIDA	STARTER MOTOR	MOTOR ARRANQUE	DÉMARREUR
2	TE110051	M10X25	3	PRISIONEIRO	STUD	ESPÁRRAGO	GOUJON
2	FS110301	M10X30	3	PARAFUSO	BOLT	TORNILLO	VIS
3	FN110041	M10	3	PORCA	NUT	TUERCA	ÉCROU
4	FX108051	M8	1	PORCA	NUT	TUERCA	ÉCROU

TUBOS DE INJEÇÃO E INJETORES
FUEL INJECTION SYSTEM
EQUIPO DE INYECCIÓN
SYSTEME D'INJECTION

GRUPO
GROUP 48/176
GRUPO
GROUPE



TUBOS DE INJEÇÃO E INJETORES
FUEL INJECTION SYSTEM
EQUIPO DE INYECCIÓN
SYSTEME D'INJECTION

GRUPO
GROUP
GRUPO
GROUPE

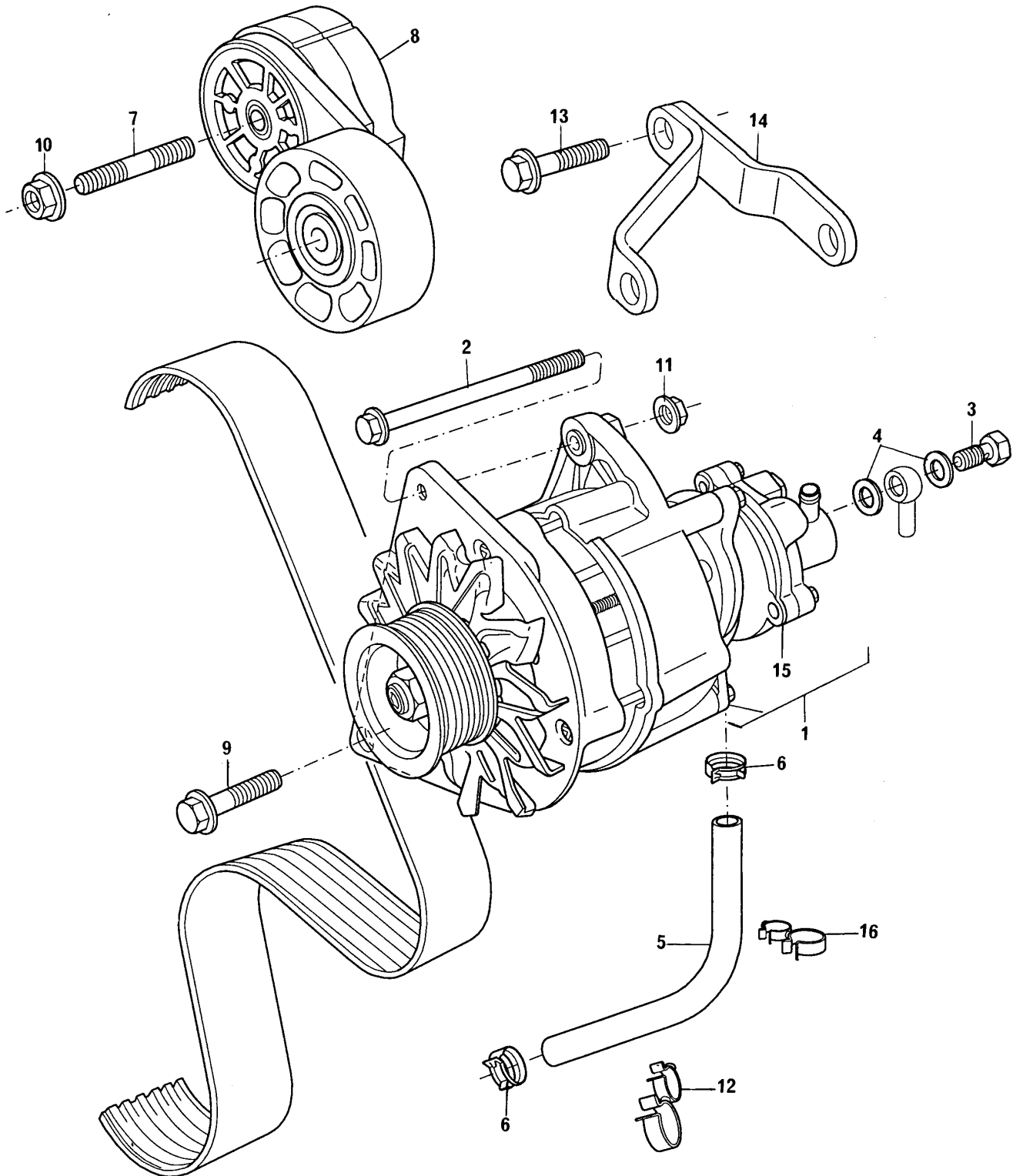
48/176

1	77530		4	CJ INJETOR	ATOMISSER ASSY	INYECTOR CJ	INJECTEUR
2		1	4	BICO INJETOR	NOZZLE	TOBERA	NEZ INJECTEUR
3	70998165		4	PINO	PIN	PERNO	AXE
4	FS108301	M10X30	4	PARAFUSO	BOLT	TORNILLO	VIS
5	ERR3780	C	4	FLANGE	FLANGE	PLETINA	FLASQUE
6	70920170		4	ARRUELA	WASHER	ARANDELA	RONDELLE
7	70993526		1	TUBO CIL. 1	PIPE 1 CYL	CAÑO CIL 1	TUYAUTERIE 1
8	70993527		1	TUBO CIL. 2	PIPE 2 CYL	CAÑO CIL 2	TUYAUTERIE 2
9	70993528		1	TUBO CIL. 3	PIPE 3 CYL	CAÑO CIL 3	TUYAUTERIE 3
10	70993529		1	TUBO CIL. 4	PIPE 4 CYL	CAÑO CIL 4	TUYAUTERIE 4
11	70993478		1	TUBO RETORNO	PIPE	TUBO	TUYAUTERIE
12	70920096		8	ARRUELA	WASHER	ARANDELA	RONDELLE
13	70740744		4	PARAFUSO BANJO	BANJO BOLT	TORNILLO BANJO	VIS BANJO
14	36845114		2	ALMOFADA	DAMPER	AMORTIGUADOR	AMORTISSEUR
15	70180182		2	PRESILHA	CLIP	SUJETADOR	AGRAFE
16	0726260		2	PARAFUSO	BOLT	TORNILLO	VIS
17	70576100		2	PORCA	NUT	TUERCA	ÉCROU

ALTERNADOR E CORREIA
ALTERNATOR AND BELT
ALTERNADOR Y CORREA
ALTERNATEUR ET COURROIE

GRUPO
GROUP
GRUPO
GRUPO
GROUPE

50/208



ALTERNADOR E CORREIA
ALTERNATOR AND BELT
ALTERNADOR Y CORREA
ALTERNATEUR ET COURROIE

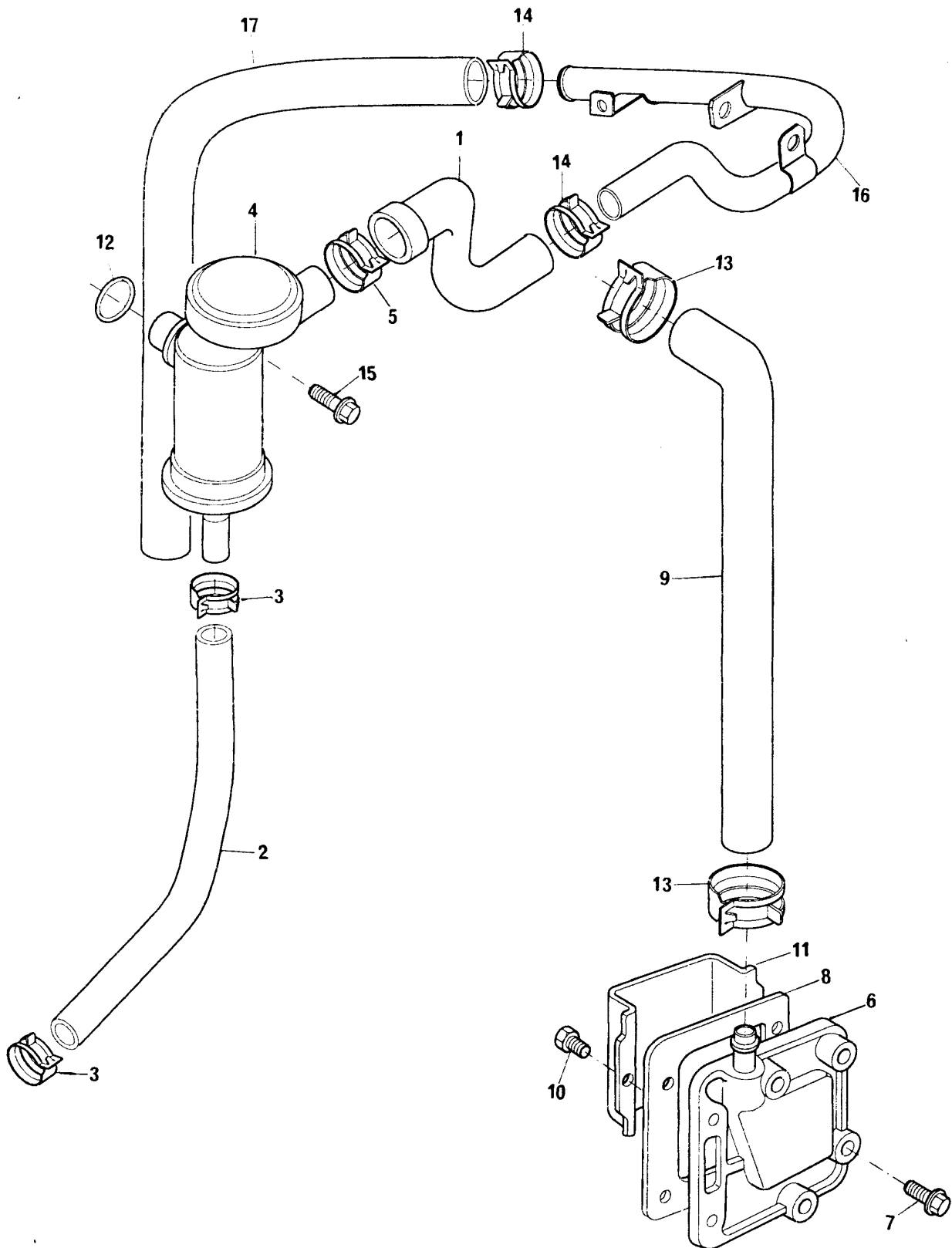
GRUPO
GROUP 50/208
GRUPO
GROUPE

1	74196	85A	1	ALTERNADOR	ALTERNATOR	ALTERNADOR	ALTERNATEUR
2	FC108241	M8X120	1	PARAFUSO	BOLT	TORNILLO	VIS
3	70740334		1	PARAFUSO BANJO	BANJO BOLT	TORNILLO BANJO	VIS BANJO
4	70920120		2	ARRUELA	WASHER	ARANDELA	RONDELLE
5	70200905		1	MANGUEIRA	HOSE	MANGUERA	DURITE
6	70180153		2	BRAÇADEIRA	CLAMP	ABRAZADERA	COLLIER
7	TE110051	M10X25	1	PRISIONEIRO	STUD	ESPÁRRAGO	GOUJON
8	70520171		1	TENSIONADOR	TIGHTENER	SENSOR	TENDEUR
9	FC108081	M8X40	1	PARAFUSO	BOLT	TORNILLO	VIS
10	FX110041	M10	1	PORCA	NUT	TUERCA	ÉCROU
11	FX108051	M8	3	PORCA	NUT	TUERCA	ÉCROU
12	70100849		1	PRESILHA	CLIP	SUJETADOR	AGRAFE
13	70740766		1	PARAFUSO	BOLT	TORNILLO	VIS
14	70100840		1	SUPORTE	BRACKET	SOPORTE	SUPPORT
15	72124	1	1	BOMBA DE VÁCUO	EXHAUSTER	EDUCTOR	POMPE A VIDE
16	70100850		1	PRESILHA	CLIP	SUJETADOR	AGRAFE

RESPIRO DO MOTOR
ENGINE BREATHER
RESPIRADERO DEL MOTOR
RENIFLARD DU MOTEUR

GRUPO
GROUP
GRUPO
GROUPE

53/67



RESPIRO DO MOTOR
 ENGINE BREATHER
 RESPIRADERO DEL MOTOR
 RENIFLARD DU MOTEUR

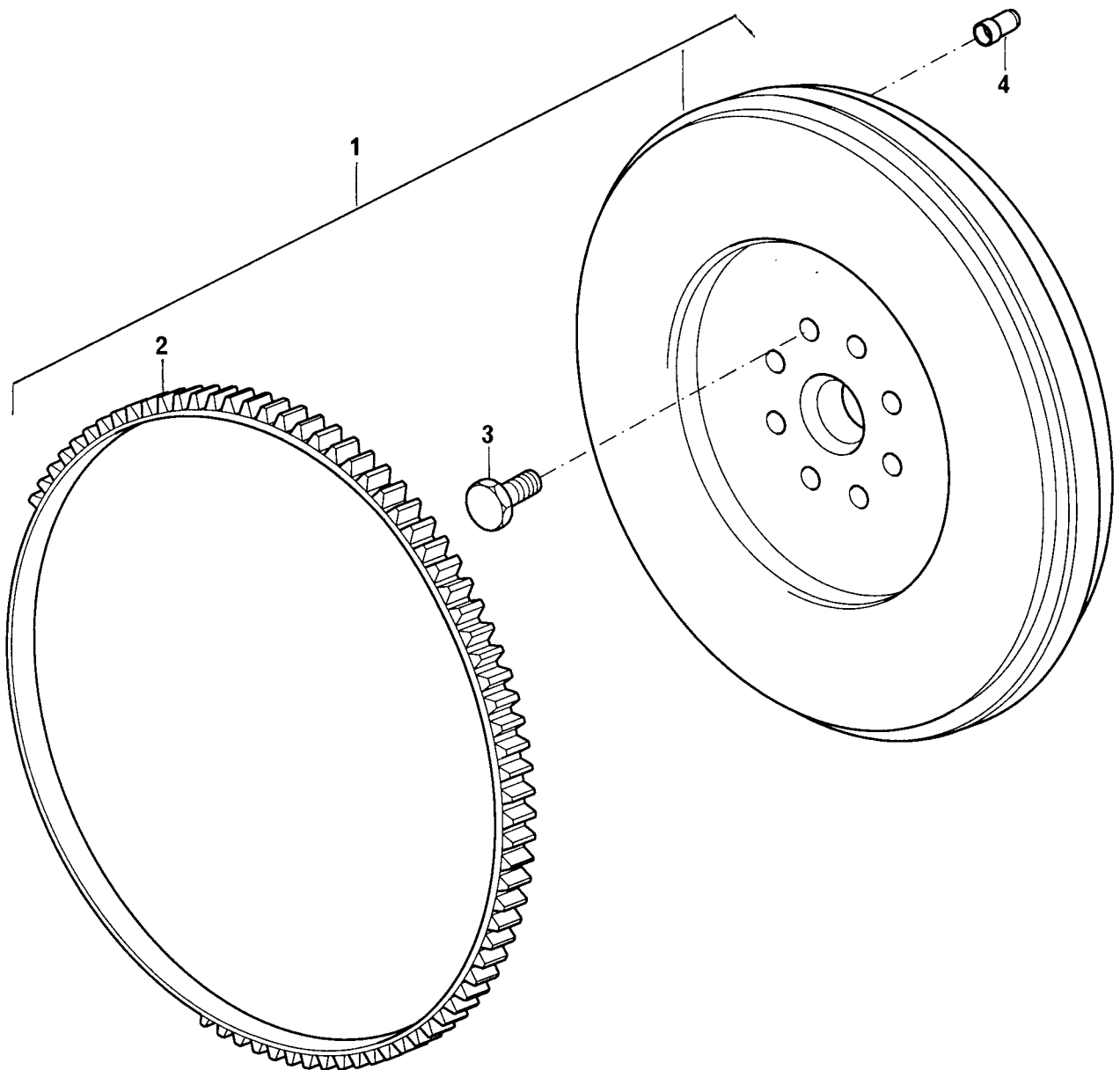
GRUPO
 GROUP 53/67
 GRUPO
 GROUPE

1	70200916		1	MANGUEIRA	HOSE	MANGUERA	DURITE
2	70200895		1	MANGUEIRA	HOSE	MANGUERA	DURITE
3	70180153		2	BRAÇADEIRA	CLAMP	ABRAZADERA	COLLIER
4	ERR1471	C	1	VÁLVULA	VALVE	VÁLVULA	SOUPAPE
5	70180205		1	BRAÇADEIRA	CLAMP	ABRAZADERA	COLLIER
6	70993466		1	TAMPA	COVER	TAPA	COUVERCLE
7	FS108251	M8X25	3	PARAFUSO	BOLT	TORNILLO	VIS
8	ERR2026	A	1	JUNTA	JOINT	JUNTA	JOINT
9	70200922		1	MANGUEIRA	HOSE	MANGUERA	DURITE
10	70740370	6	2	PARAFUSO	BOLT	TORNILLO	VIS
11	ERR0874	A 6	1	DEFLETOR	DEFLECTOR	DEFLECTOR	DÉFLECTEUR
12	70680017	4	1	ANEL "O"	"O" RING	ARO SELLO	JOINT TORIQUE
13	70180206		2	BRAÇADEIRA	CLAMP	ABRAZADERA	COLLIER
14	70180205		3	BRAÇADEIRA	CLAMP	ABRAZADERA	COLLIER
15	FB106111		1	PARAFUSO	BOLT	TORNILLO	VIS
16	70620819		1	TUBO	PIPE	CAÑO	TUYAUTERIE
17	70200739		1	MANGUEIRA	HOSE	MANGUERA	DURITE

VOLANTE E CREMALHEIRA
FLYWHEEL AND STARTER RING
VOLANTE Y CORONA
VOLANT ET COURONNE

GRUPO
GROUP
GRUPO
GROUPE

55/155



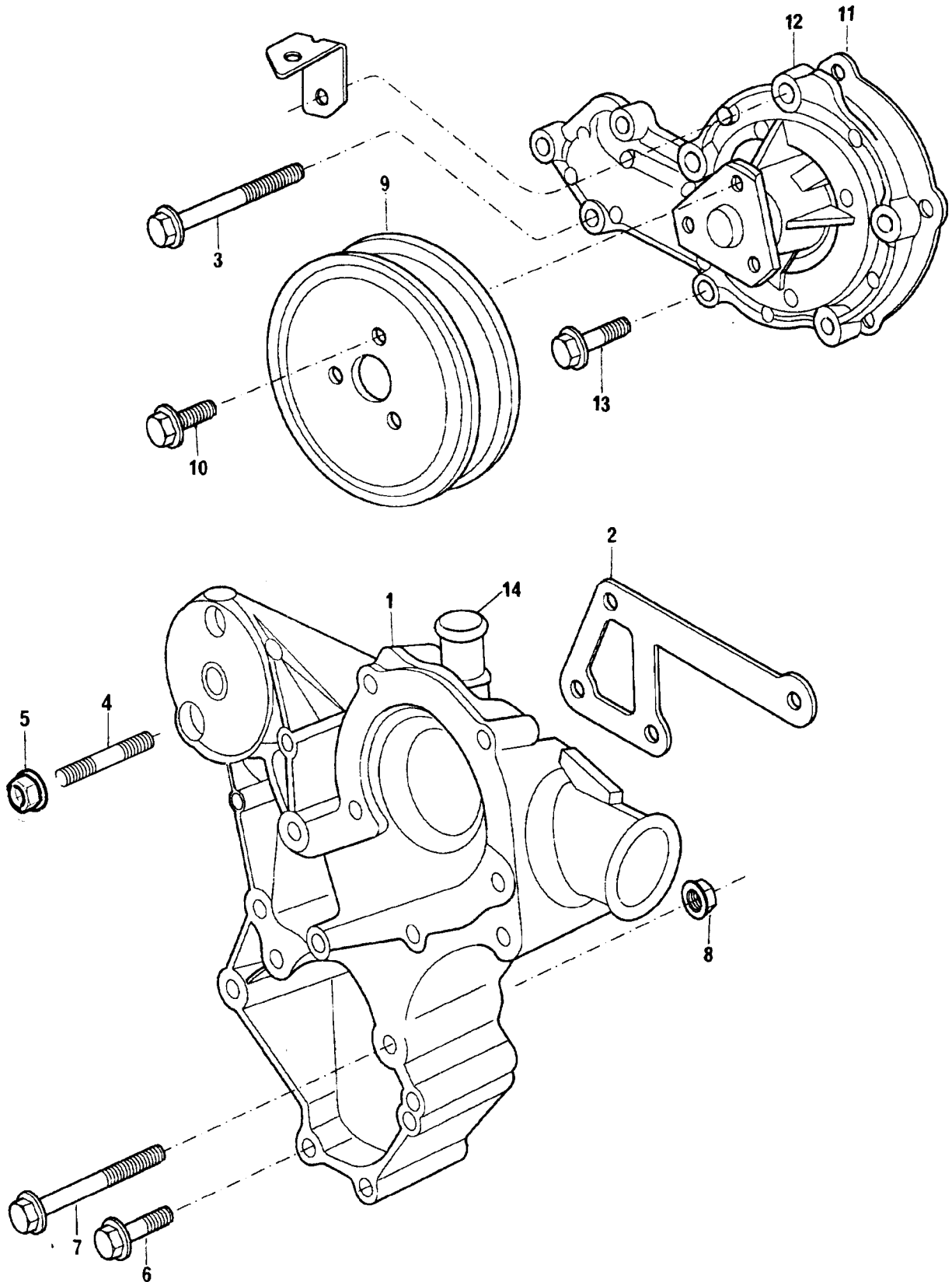
VOLANTE E CREMALHEIRA
FLYWHEEL AND STARTER RING
VOLANTE Y CORONA
VOLANT ET COURONNE

GRUPO
GROUP 55/155
GRUPO
GROUPE

1	70993524		1	CJ. VOLANTE	FLYWHEEL ASSY	CJ. VOLANTE	VOLANT
2	568431	1	1	CREMALHEIRA	STARTER RING	CORONA	COURONNE
3	70740752		8	PARAFUSO	BOLT	TORNILLO	VIS
4	70610065	1	3	PINO GUIA	DOWEL	ESPIGA	PION

BOMBA D'ÁGUA
WATER PUMP
BOMBA DE AGUA
POMPE À EAU

GRUPO
GROUP 56/145
GRUPO
GROUPE



BOMBA D'ÁGUA
WATER PUMP
BOMBA DE AGUA
POMPE À EAU

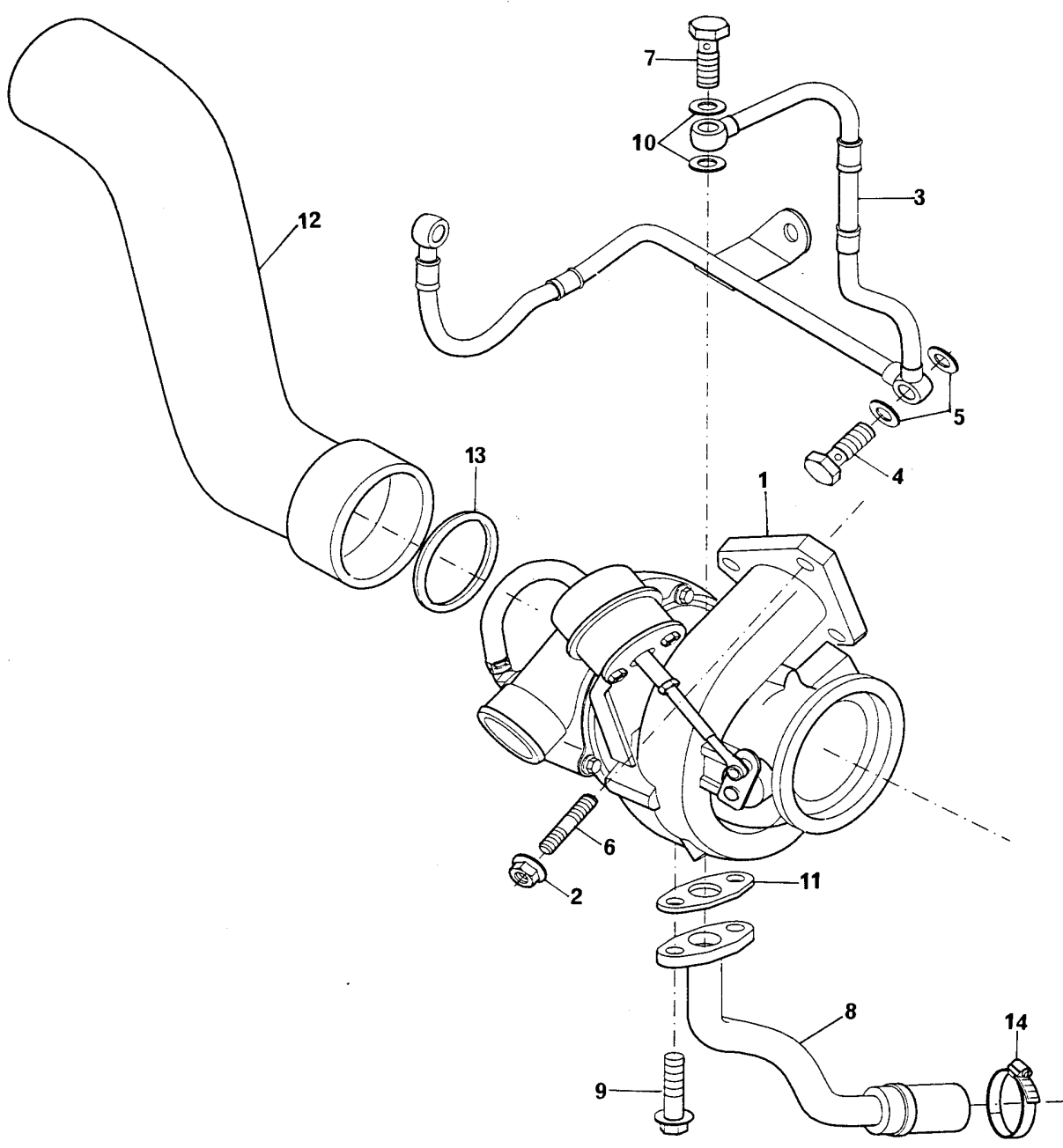
GRUPO
GROUP 56/145
GRUPO
GROUPE

1	70993523		1	SUORTE	BRACKET	SOPORTE	SUPPORT
2	ERR2378	A	1	JUNTA	JOINT	JUNTA	JOINT
3	FC108241	M8X120	3	PARAFUSO	BOLT	TORNILLO	VIS
4	ERR4404	A M8X52	1	PRISIONEIRO	STUD	ESPÁRRAGO	GOIJON
5	FX108051	M8	1	PORCA	NUT	TUERCA	ÉCROU
6	FC108131	M8X65	1	PARAFUSO	BOLT	TORNILLO	VIS
7	FC108261	M8X130	1	PARAFUSO	BOLT	TORNILLO	VIS
8	FX108051	M8	1	PORCA	NUT	TUERCA	ÉCROU
9	ERR3734	C	1	POLIA	PULLEY	POLEA	POULIE
10	FS108121	M8X12	3	PARAFUSO	BOLT	TORNILLO	VIS
11	ERR3284	A 1	1	JUNTA	JOINT	JUNTA	JOINT
12	70993494	1	1	BOMBA D'ÁGUA	WATER PUMP	BOMBA DE ÁGUA	POMPE À EAU
13	FS108301	1 M8X30	5	PARAFUSO	BOLT	TORNILLO	VIS
14	ERR3622	A 1	1	CONEXÃO	CONNECTION	CONEXIÓN	RACCORD

INSTALAÇÃO DO TURBO
TURBOCHARGER INSTALLATION
INSTALACIÓN DEL TURBO
INSTALLATION DU TURBO-COMPRESSEUR


GRUPO
GROUP
GRUPO
GROUPE

58/76



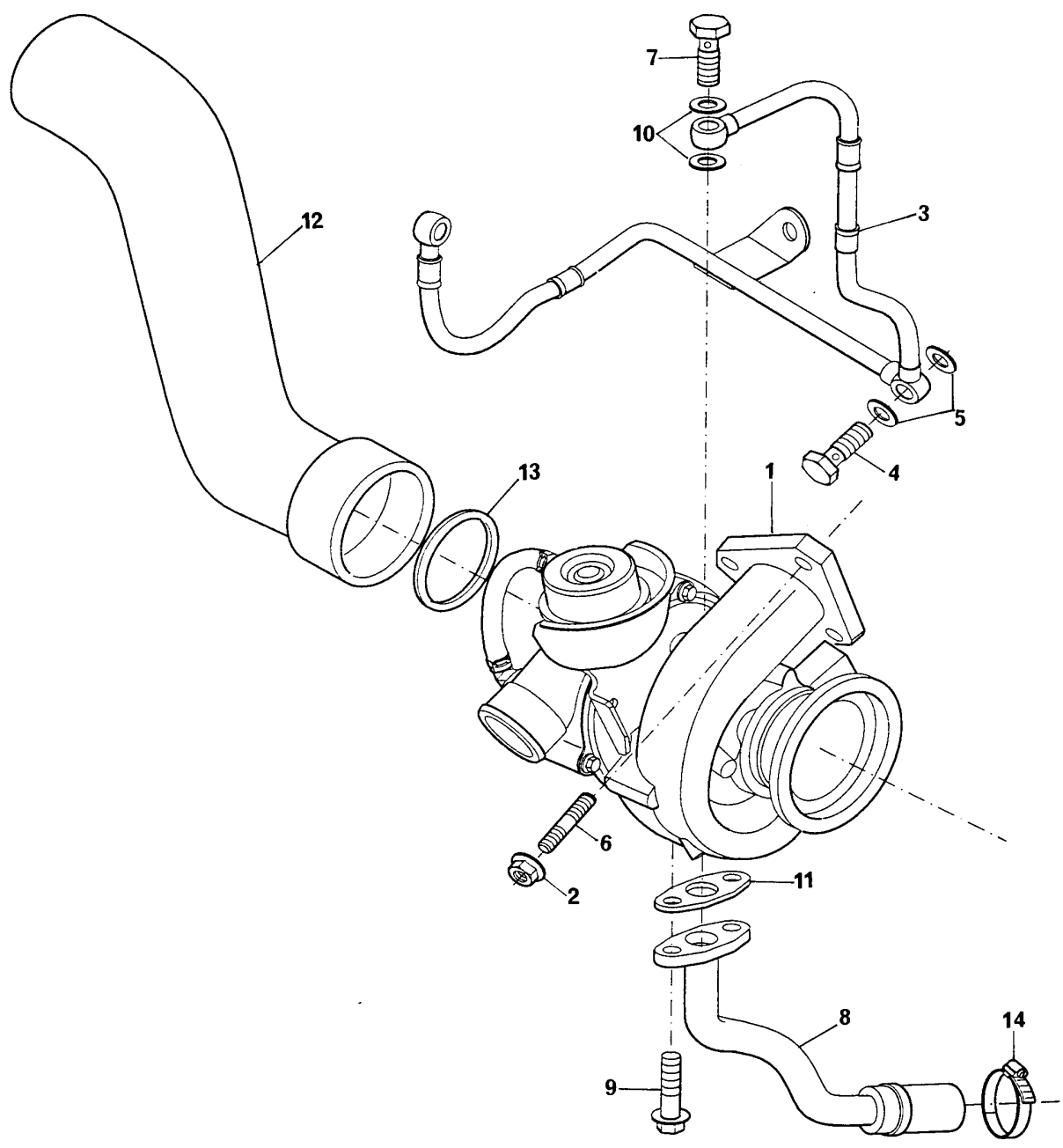
INSTALAÇÃO DO TURBO
TURBOCHARGER INSTALLATION
INSTALACIÓN DEL TURBO
INSTALLATION DU TURBO-COMPRESSEUR

GRUPO
GROUP 58/76
GRUPO
GROUPE

1	79519		1 TURBO ALIMENT.	TURBOCHARGER	AVEC COMPRESSEUR	TURBINA
2	70570114		3 PORCA	NUT	TUERCA	ÉCROU
3	70993487		1 TUBO	PIPE	CAÑO	TUYAUTERIE
4	70740733		1 PARAFUSO BANJO	BANJO BOLT	TORNILLO BANJO	VIS BANJO
5	ERR0894 A	 70920175	2 ARRUELA	WASHER	ARANDELA	RONDELLE
6	70820118		3 PRISIONEIRO	STUD	ESPÁRRAGO	RONDELLE
7	70740334		1 PARAFUSO BANJO	BANJO BOLT	TORNILLO BANJO	GOUJON
8	70993486		1 TUBO DRENO	DRAIN PIPE	CAÑO DRENAJE	TUYAUTERIE VIDANGE
9	FS106161		2 PARAFUSO	BOLT	TORNILLO	VIS
10	70920180		2 ARRUELA	WASHER	ARANDELA	RONDELLE
11	70490294		1 JUNTA	JOINT	JUNTA	JOINT
12	70993476		1 TUBO	PIPE	CAÑO	TUYAUTERIE
13	70680016	12	1 ANEL VEDAÇÃO	SEALING RING	ANILLO SELADO	BAGUE ÉTANCHÉITE
14	70180154		1 BRAÇADEIRA	CLAMP	ABRAZADERA	COLLIER


INSTALAÇÃO DO TURBO
TURBOCHARGER INSTALLATION
INSTALACIÓN DEL TURBO
INSTALLATION DU TURBO-COMPRESSEUR

GRUPO
GROUP 58/84
GRUPO
GROUPE



**INSTALAÇÃO DO TURBO
TURBOCHARGER INSTALLATION
INSTALACIÓN DEL TURBO
INSTALLATION DU TURBO-COMPRESSEUR**

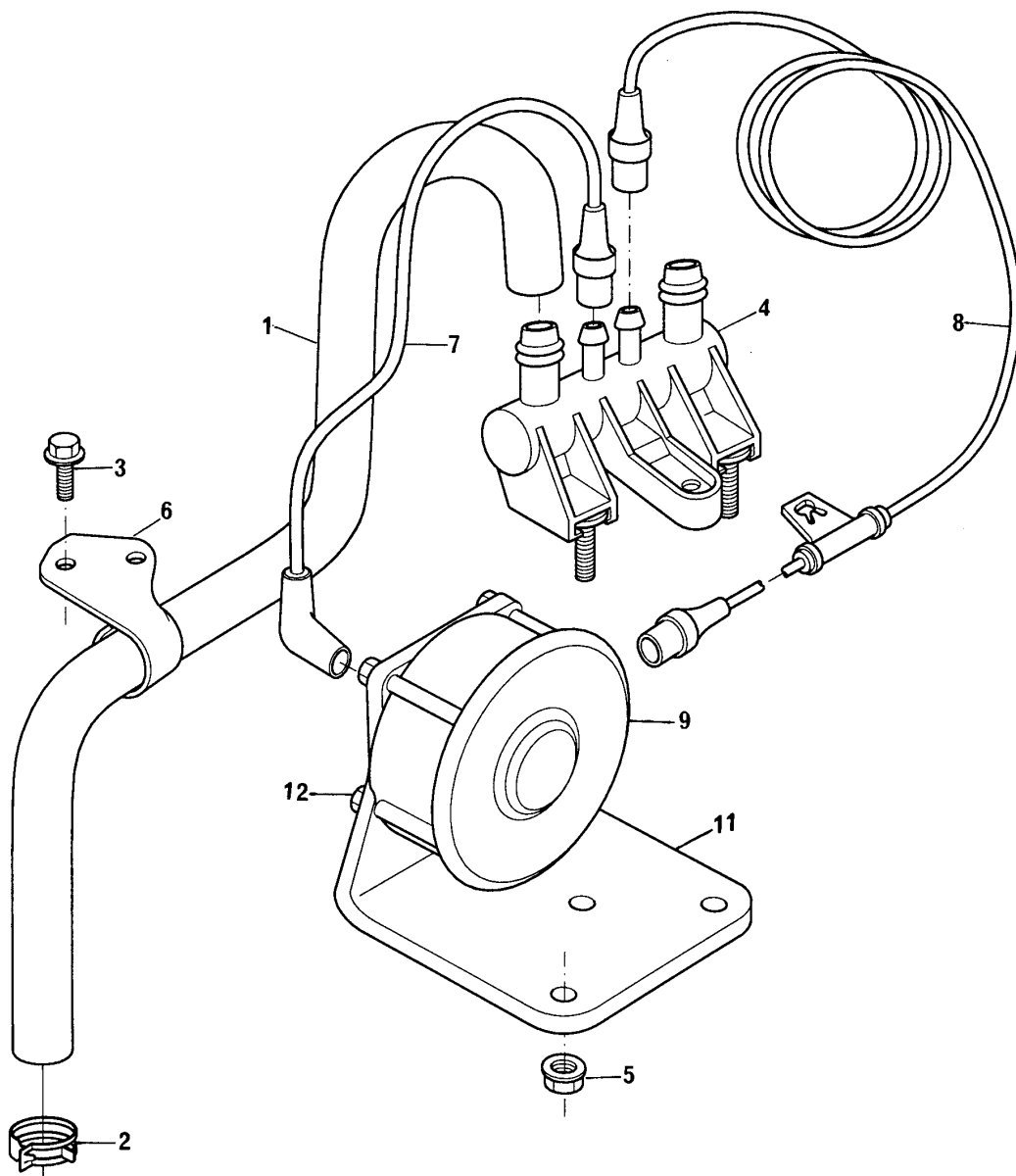
**GRUPO
GROUP
GRUPO
GROUPE** **58/84**

1	79517		1 TURBO ALIMENT.	TURBOCHARGER	AVEC COMPRESSEUR	TURBINA
2	70570114		3 PORCA	NUT	TUERCA	ÉCROU
3	70993487		1 TUBO	PIPE	CAÑO	TUYAUTERIE
4	70740733		1 PARAFUSO BANJO	BANJO BOLT	TORNILLO BANJO	VIS BANJO
5	ERR0894 A	 70920175	2 ARRUELA	WASHER	ARANDELA	RONDELLE
6	70820118		3 PRISIONEIRO	STUD	ESPÁRRAGO	RONDELLE
7	70740334		1 PARAFUSO BANJO	BANJO BOLT	TORNILLO BANJO	GOUJON
8	70993486		1 TUBO DRENO	DRAIN PIPE	CAÑO DRENAJE	TUYAUTERIE VIDANGE
9	FS106161		2 PARAFUSO	BOLT	TORNILLO	VIS
10	70920180		2 ARRUELA	WASHER	ARANDELA	RONDELLE
11	70490294		1 JUNTA	JOINT	JUNTA	JOINT
12	70993476		1 TUBO	PIPE	CAÑO	TUYAUTERIE
13	70680016	12	1 ANEL VEDAÇÃO	SEALING RING	ANILLO SELADO	BAGUE ÉTANCHÉITE
14	70180154		1 BRAÇADEIRA	CLAMP	ABRAZADERA	COLLIER

SISTEMA DE FREIO
BRAKE SYSTEM
SISTEMA DE FRENO
SYSTEME D'FREIN

GRUPO
GROUP
GRUPO
GROUPE

67/05



**SISTEMA DE FREIO
BRAKE SYSTEM
SISTEMA DE FRENO
SYSTEME D'FREIN**

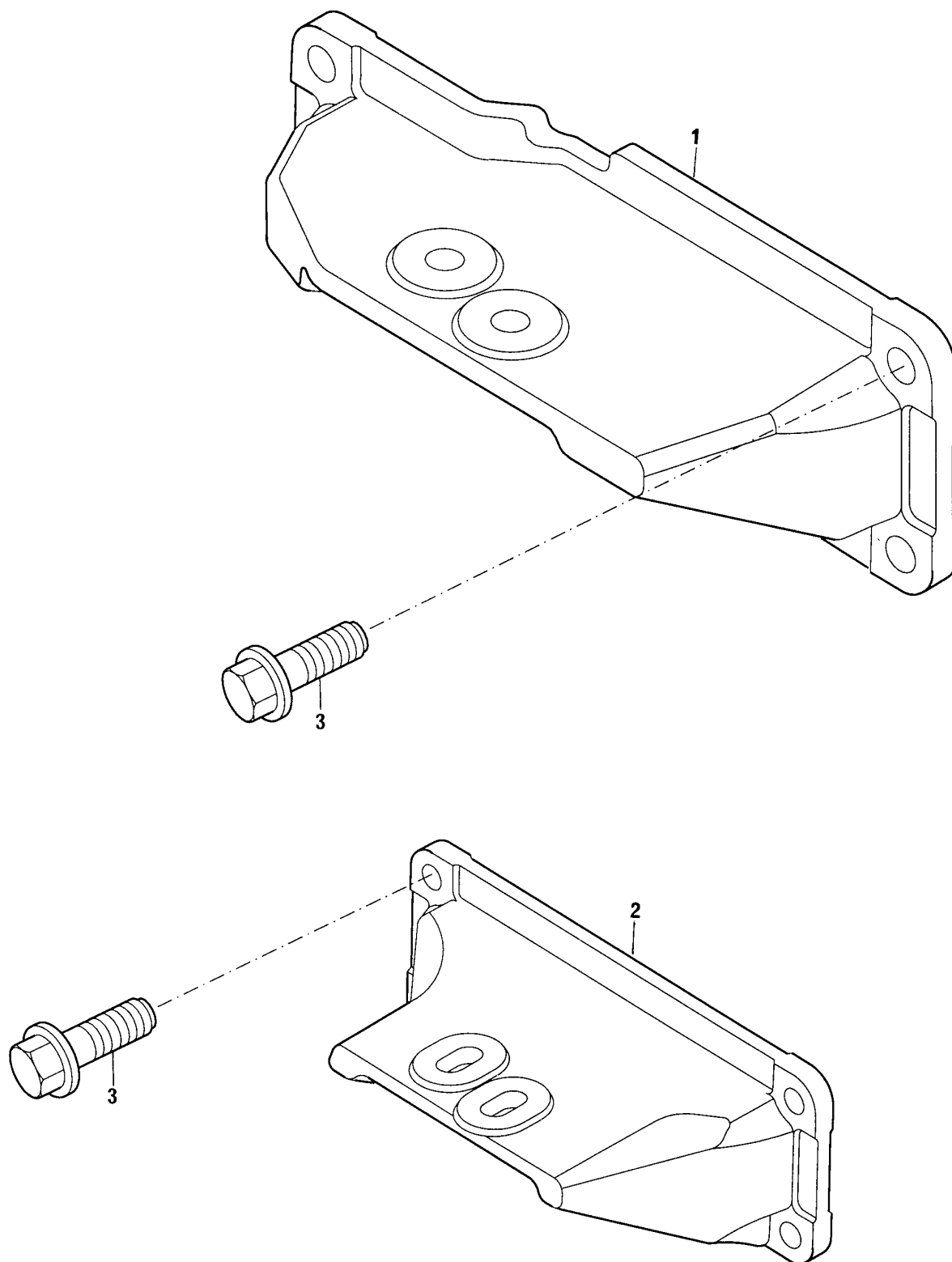
**GRUPO
GROUP
GRUPO
GROUPE** **67/05**

1	70993507		1	MANGUEIRA	HOSE	MANGUERA	DURITE
2	70180192	1	1	BRAÇADEIRA	CLAMP	ABRAZADERA	COLLIER
3	FS106161		2	PARAFUSO	BOLT	TORNILLO	VIS
4	70993260	M6X16	1	DERIVADOR	BY-PASS	DERIVADOR	DERIVATEUR
5	FX106041		2	PORCA	NUT	TUERCA	ÉCROU
6	70100796	M6	1	SUPORTE	BRACKET	SOPORTE	SUPPORT
7	70200821		1	MANGUEIRA	HOSE	MANGUERA	DURITE
8	70200822		1	MANGUEIRA	HOSE	MANGUERA	DURITE
9	73150		1	SENSOR	SENDER	SENSOR	SONDE
11	70100797		1	SUPORTE	BRACKET	SOPORTE	SUPPORT
12	70740385		4	PARAFUSO	BOLT	TORNILLO	VIS

SUPORTES DO MOTOR
ENGINE SUPPORTS
SOPORTES DEL MOTOR
SUPPORTS DU MOTEUR

GRUPO
GROUP
GRUPO
GROUPE

71/154



SUPORTES DO MOTOR
ENGINE SUPPORTS
SOPORTES DEL MOTOR
SUPPORTS DU MOTEUR

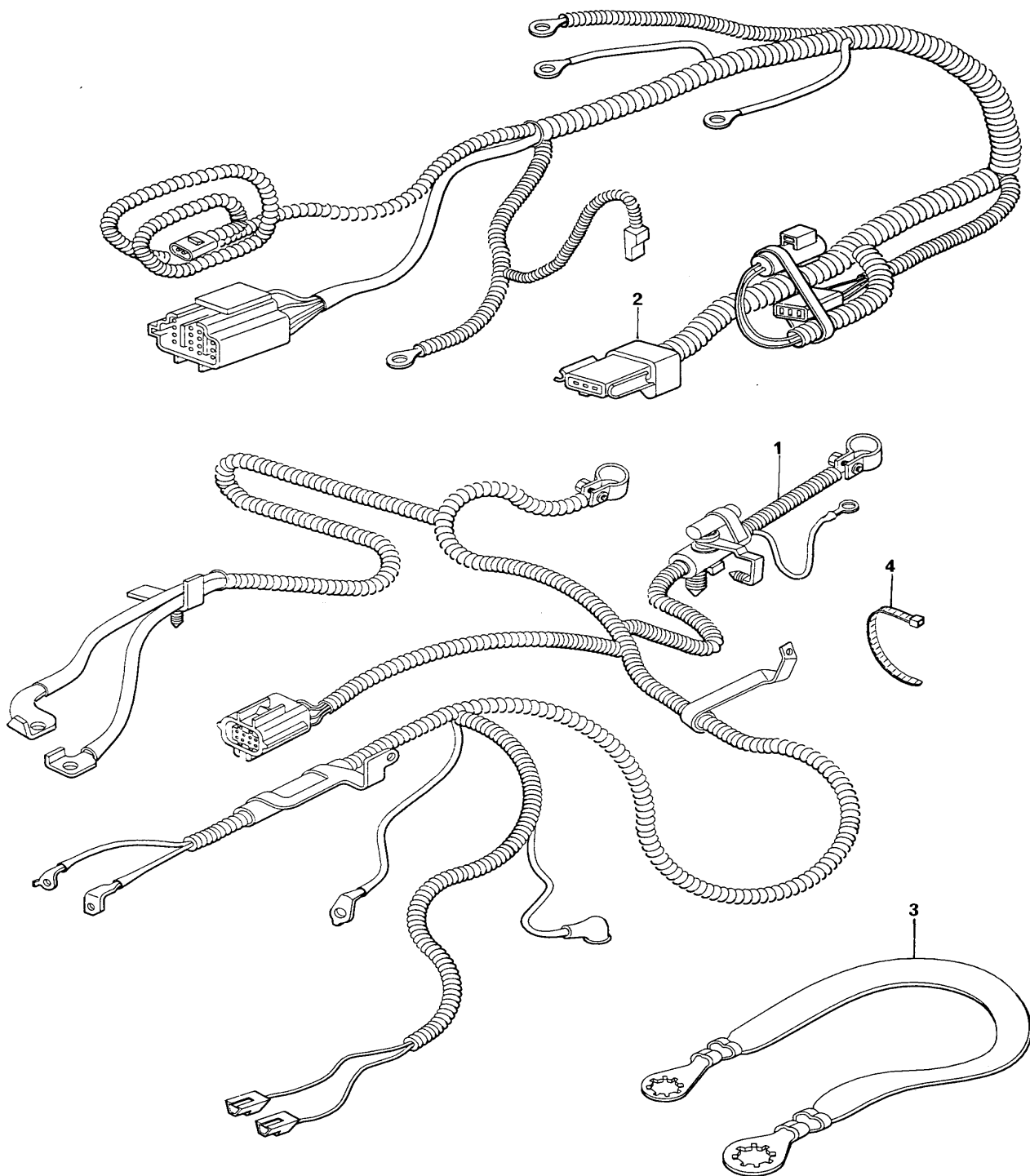
GRUPO
GROUP 71/154
GRUPO
GROUPE

1	70100819	▶	1	SUPORTE	BRACKET	SOPORTE	SUPPORT
2	70100818	◀	1	SUPORTE	BRACKET	SOPORTE	SUPPORT
3	FS112301	M12X30	8	PARAFUSO	BOLT	TORNILLO	VIS

SISTEMA ELÉTRICO
ELECTRICAL SYSTEM
SISTEMA ELECTRICO
SYSTEME ELECTRIQUE

GRUPO
GROUP
GRUPO
GROUPE

78/20



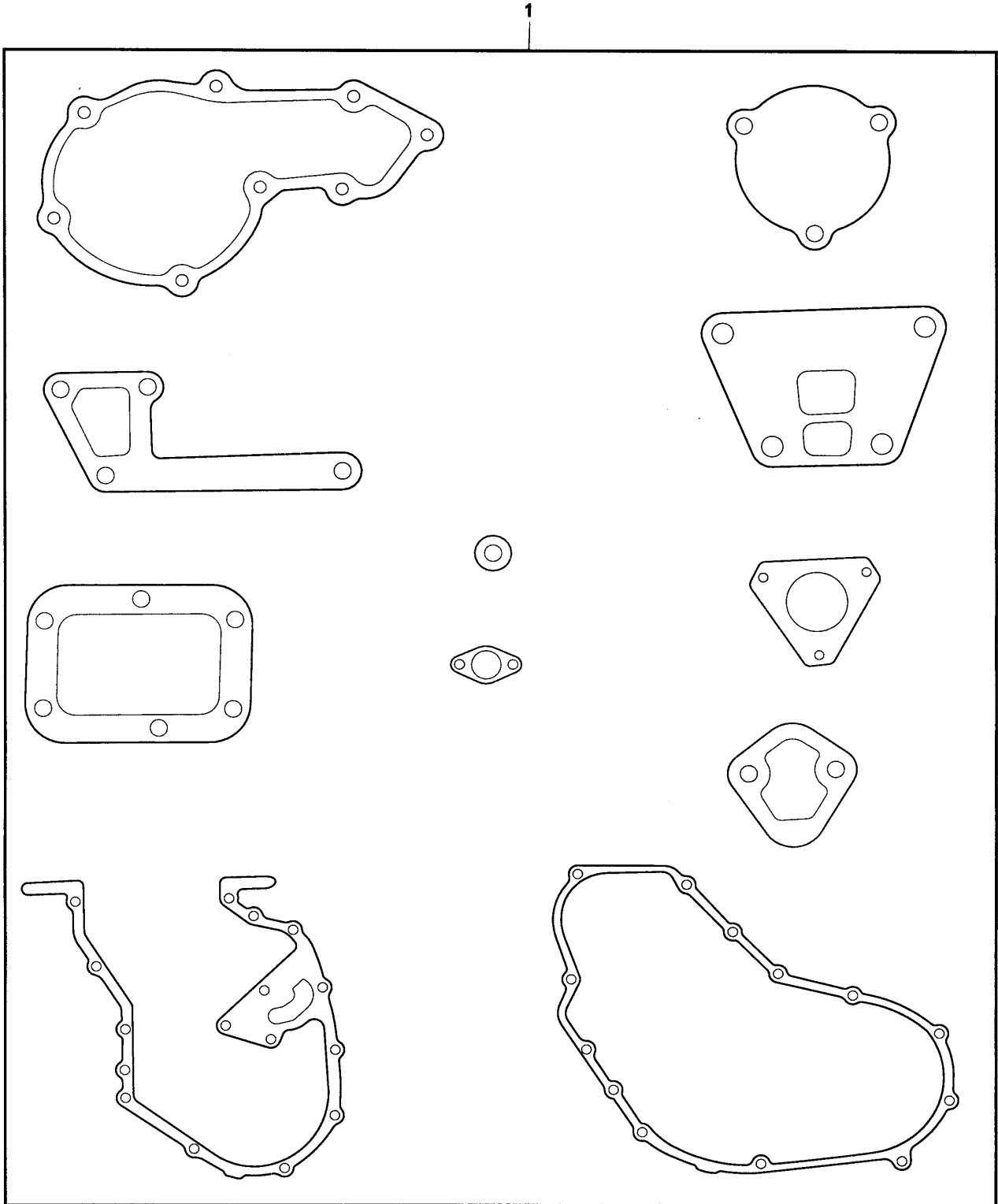
**SISTEMA ELÉTRICO
ELECTRICAL SYSTEM
SISTEMA ELECTRICO
SYSTEME ELECTRIQUE**

**GRUPO
GROUP
GRUPO
GROUPE** **78/20**

1	74197	1 CABO	CABLE	CABLE	CÂBLE
2	70995061	1 CHICOTE	HARNESS	MAZO CABLES	FAISCEAU
3	74179	1 CABO TERRA	CABLE	CABLE	CÂBLE
4	70180179	1 PRESILHA	CLIP	SUJETADOR	AGRAFE

JOGO DE JUNTAS DO BLOCO
CYLINDER BLOCK GASKET SET
JUEGO DE JUNTAS DEL BLOQUE
JEU DE JOINTS DU BLOC

GRUPO
GROUP 00/87
GRUPO
GRUPE



JOGO DE JUNTAS DO BLOCO
CYLINDER BLOCK GASKET SET
JUEGO DE JUNTAS DEL BLOQUE
JEU DE JOINTS DU BLOC

GRUPO
GROUP 00/87
GRUPO
GROUPE

1 HS079

1 JOGO JUNTAS

GASKET SET

JUEGO DE JUNTAS

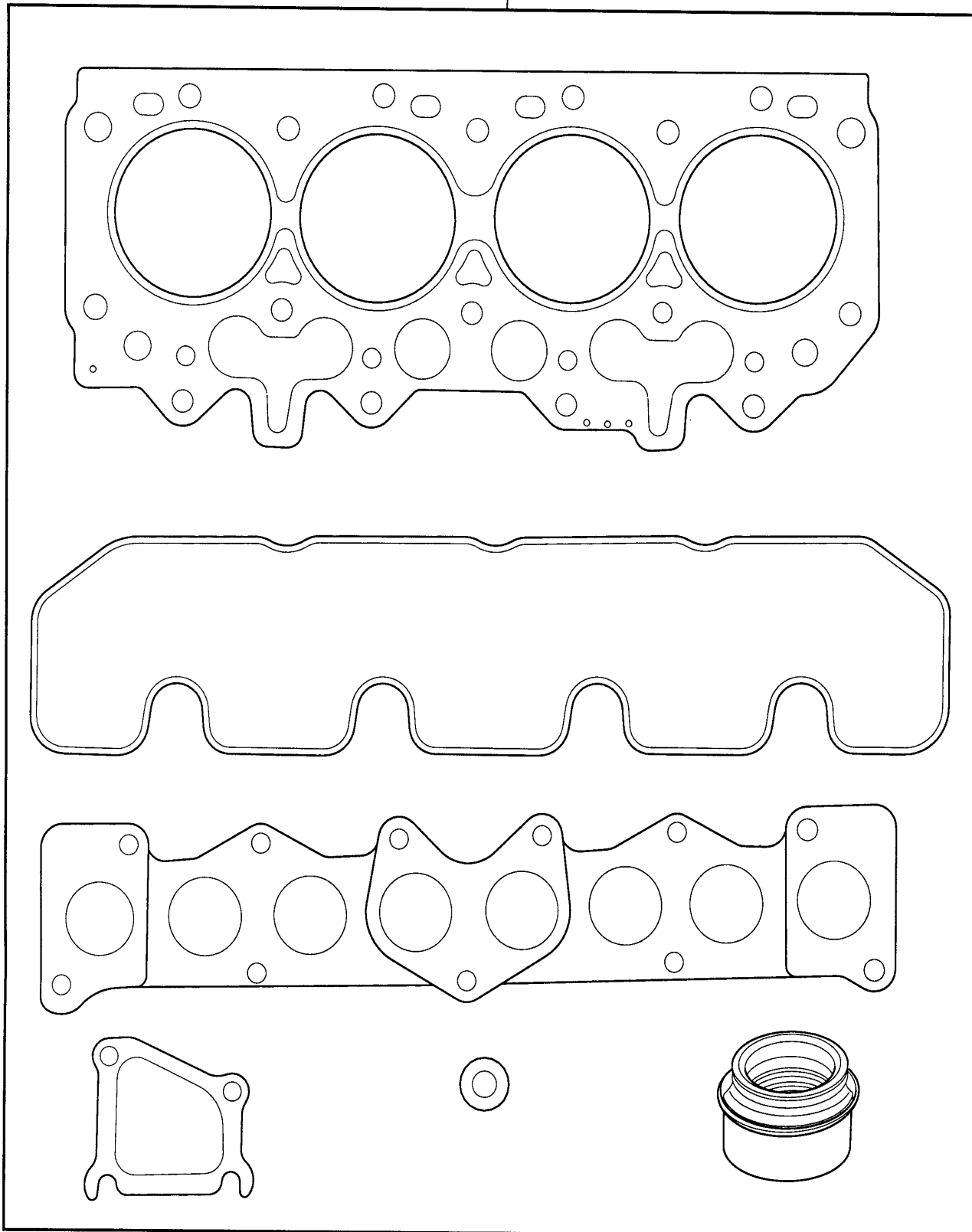
JOINTS JEU

JOGO DE JUNTAS DO CABEÇOTE
CYLINDER HEAD GASKET SET
JUEGO DE JUNTAS DE LA CULATA
JEU DE JOINTS DE LA CULASSE

GRUPO
GROUP
GRUPO
GROUPE

00/86

1



JOGO DE JUNTAS DO CABEÇOTE
CYLINDER HEAD GASKET SET
JUEGO DE JUNTAS DE LA CULATA
JEU DE JOINTS DE LA CULASSE

GRUPO
GROUP
GRUPO
GROUPE

00/86

1	HS076	▼	1,37 MM	1 JOGO JUNTAS	GASKET SET	JUEGO DE JUNTAS	JOINTS JEU
1	HS077	▼	1,48 MM	1 JOGO JUNTAS	GASKET SET	JUEGO DE JUNTAS	JOINTS JEU
1	HS078	▼	1,59 MM	1 JOGO JUNTAS	GASKET SET	JUEGO DE JUNTAS	JOINTS JEU