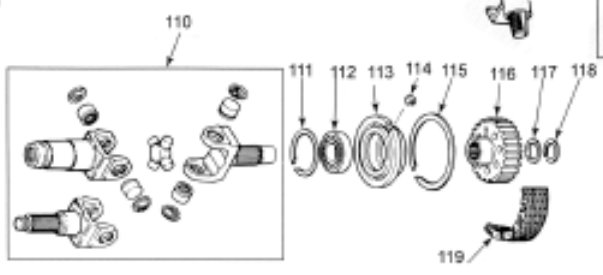
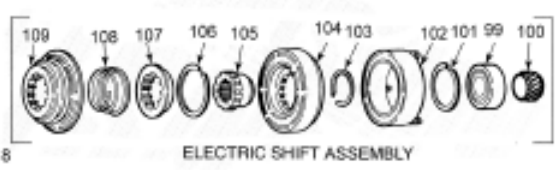
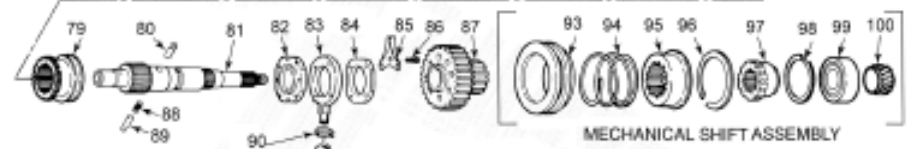
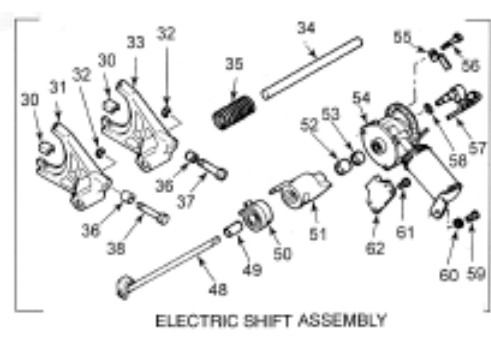
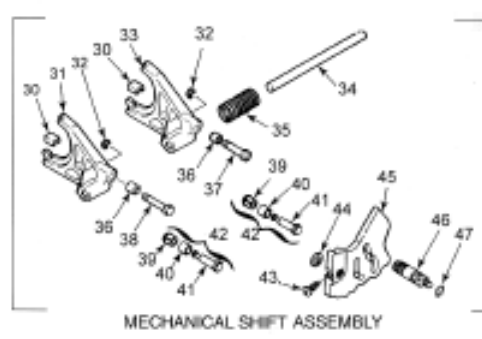
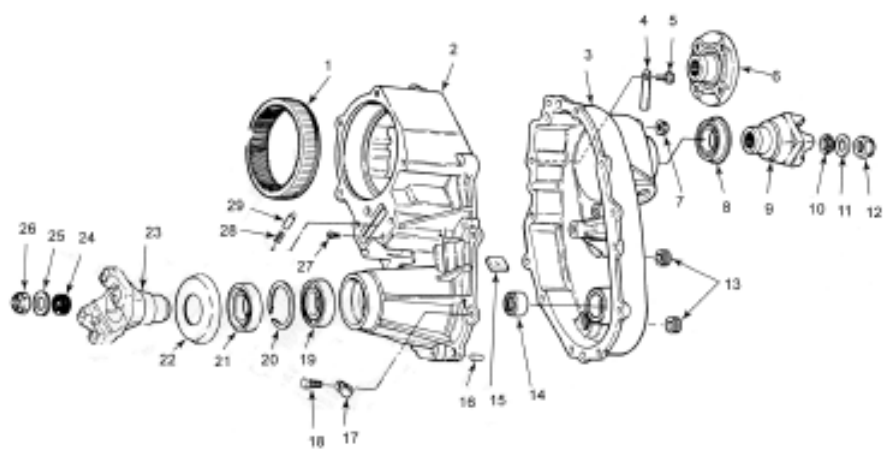


## BW1350 FORD BRONCO II, EXPLORER, RANGER 1983-97 (MECHANICAL) 1986-97 (ELECTRICAL)



SOME OF THE PARTS LISTED IN THIS CATALOG ARE NOT MANUFACTURED BY THE ORIGINAL EQUIPMENT MANUFACTURER AND ANY REFERENCE TO TRADEMARKS ARE FOR CROSS REFERENCE PURPOSES ONLY. NO REPRESENTATION IS MADE WITH RESPECT TO THE SOURCE OF MANUFACTURE OF ANY PARTICULAR PART.

## BW1350

**BW1350**

ILL #	MIDWEST #	REF #	DESCRIPTION
1	1350162001		RING GEAR
2	1350565003		FRONT CASE HALF ASSY - MECH SHIFT
2	1350565004		FRONT CASE HALF ASSY - ELEC. SHIFT
3	1350539003		REAR CASE HALF ASSY - MECH SHIFT
3	1350539005		REAR CASE HALF ASSY - ELEC. SHIFT
5	1300183018		BOLT, CASE HALVES (9 REQ.)
6	1300031001		COMPANION FLANGE, REAR OUTPUT
7	1300149002		NUT
8	1000044052		SEAL, REAR OUTPUT
9	1000031022		YOKE, REAR OUTPUT
10	1000044012		SEAL
11	1000047016		WASHER
12	1900149001		NUT
13	445751		PLUG (2 REQ.)
14	1000132039		NEEDLE BEARING
15	1000012002		MAGNET
16	141281		DOWEL PIN
17	1000056007		CUP, WIRING HARNESS
19	108		BEARING, FRONT OUTPUT
20	4766B		SNAP RING
21	1000044051		SEAL, FRONT OUTPUT
22	1350035002		DEFLECTOR
23	1300031004		YOKE, FRONT OUTPUT
23	1000531011		YOKE ASSY
27	1350183002		SCREW
28	1350156003		SPRING
29	1350108001		POPPET
30	1345235001		FORK PADS
31	1350096004		SHIFT FORK - RANGE
31	1350596005		SHIFT FORK ASSY
32	1345056003		CRESCENT RING
33	1350096003		SHIFT FORK - MODE
33	1350596003		SHIFT FORK ASSY MODE
33	1354096001		SHIFT FORK ASSY - UPDATED MODE
34	1350100001		RAIL
35	1350156002		SPRING, RETURN
36	1352127001		ROLLER , CAM
37	1300043006		PIN, MODE FORK
39	1350040002		RETAINER - OPTIONAL
40	1352127001		ROLLER, CAM - OPTIONAL
41	1350043001		PIN - OPTIONAL
43	1350183002		SET SCREW
44	1345056002		SNAP RING
45	1350099006		SHIFT CAM
46	1350122001		SHIFT SHAFT
47	T89B-108		O-RING
48	1350122004		SHIFT SHAFT (ELEC.)
49	1350053002		SPACER
50	1350156006		TORSION SPRING
51	1350099007		SHIFT CAM
52	1300127002		BEARING
53	1300044001		OIL SEAL
54	1354410003		SHIFT MOTOR ASSY - 7 PRONG
55	1350056002		BRACKET
56	0011503949		BOLT
57	1350140002		SPEED SENSOR
58	1000141014		O-RING

SOME OF THE PARTS LISTED IN THIS CATALOG ARE NOT MANUFACTURED BY THE ORIGINAL EQUIPMENT MANUFACTURER AND ANY REFERENCE TO TRADEMARKS ARE FOR CROSS REFERENCE PURPOSES ONLY. NO REPRESENTATION IS MADE WITH RESPECT TO THE SOURCE OF MANUFACTURE OF ANY PARTICULAR PART.

**Call Toll Free 1-800-934-2727**  
**www.motivegear.com**

Motive Gear is the Light Duty &  
 4x4 Division of Midwest Truck  
 And Auto Parts

**Motive Gear®**

## BW1350 (Cont'd)

ILL #	MIDWEST #	REF #	DESCRIPTION
59	0011500420		BOLT
60	011503961		WASHER
61	009411592		BOLT
62	1350056003		BRACKET
63	1000043017		PIN
64	1350672001		ADAPTER ASSY - FRONT
65	1000139039		SNAP RING
66	1000139040		RETAINING RING
67	1000130011		BEARING, INPUT
68	1350193001		THRUST WASHER
69	1000139043		RETAINING RING
70	1350014001		THRUST PLATE
71	1350165001		SUN GEAR
72	1350659008		PLANETARY ASSY
73	1350689001		INPUT SHAFT ASSY
74	4840G		NEEDLE BEARING
75	1345127002		BEARING SLEEVE
76	710062	1000044054	SEAL, INPUT
77	1345072001		BARB, BREATHER
78	1300183018		BOLT
79	1350089001		REDUCTION HUB
80/89	1345043007		PUMP PIN (2 REQ.)
81	1354171003		OUTPUT SHAFT - REAR
82	1345039007		COVER, PUMP FRONT
83	1345097004		PUMP HOUSING
84	1345039005		COVER, PUMP, REAR
85	1350056004		RETAINER, PUMP
86	1345183003		BOLT, PUMP (4 REQ.)
87	1350144003		DRIVEN SPROCKET
88	1345156004		SPRING - PUMP PIN
90	1345056005		HOSE CLAMP
91	1356034001		PUMP TUBE
92	1345238001		FILTER, PUMP
93	1350055002		COLLAR, LOCKUP - MECH SHIFT
94	1350156001		RETURN SPRING - MECH SHIFT
95	1350089003		HUB, LOCKUP - MECH SHIFT
96	1000139041		SNAP RING - MECH SHIFT
97	1350090001		HUB, SHIFT COLLAR - MECH SHIFT
98/101	R6A-7.5		SNAP RING
99	1000130008		BEARING
100	1350110003		SPEEDO GEAR
102	1350640004		CLUTCH COIL ASSY
103	1000139029		SNAP RING
104	1350212001		HOUSING, CLUTCH - ELEC. SHIFT
105	1350090002		HUB - SHIFT COLLAR - ELEC. SHIFT
106	1000139041		SNAP RING - ELEC. SHIFT
107	1356089002		HUB, LOCKUP - ELEC. SHIFT
109	4400055001		COLLAR, LOCKUP - ELEC. SHIFT
110	1350671004		JOINT ASSY - FRONT YOKE
110	1350671003		JOINT ASSY
111	RGA-7.5		SNAP RING
112	1000130008		BEARING
113	1350107001		RETAINER, BEARING
114	1000056008		RETAINING CLIP
115	1000139043		SNAP RING
116	1350144004		DRIVE SPROCKET

SOME OF THE PARTS LISTED IN THIS CATALOG ARE NOT MANUFACTURED BY THE ORIGINAL EQUIPMENT MANUFACTURER AND ANY REFERENCE TO TRADEMARKS ARE FOR CROSS REFERENCE PURPOSES ONLY. NO REPRESENTATION IS MADE WITH RESPECT TO THE SOURCE OF MANUFACTURE OF ANY PARTICULAR PART.

# Motive Gear®

Motive Gear is the Light Duty & 4x4 Division of Midwest Truck And Auto Parts

Call Toll Free 1-800-934-2727  
www.motivegear.com

**BW1350**

## BW1350 (Cont'd)

BW1350

ILL #	MIDWEST #	REF #	DESCRIPTION
117	1350193003		SPACER
118	1000139038		SNAP RING
119	HV022	1350143001	CHAIN - 1-1/4" WIDE - CAN USE 10-022C

### KITS

T1350R	BEARING, SEAL & GASKET KIT
SP1350-50	SMALL PARTS KIT
K1350	GASKET & SEAL KIT

# Motive Gear®



*The Heavy Duty Division of Midwest Truck and Auto Parts*

We carry heavy duty transmission and differential products. Find out more at:  
[worldamerican.com](http://worldamerican.com)

SOME OF THE PARTS LISTED IN THIS CATALOG ARE NOT MANUFACTURED BY THE ORIGINAL EQUIPMENT MANUFACTURER AND ANY REFERENCE TO TRADEMARKS ARE FOR CROSS REFERENCE PURPOSES ONLY. NO REPRESENTATION IS MADE WITH RESPECT TO THE SOURCE OF MANUFACTURE OF ANY PARTICULAR PART.

Call Toll Free 1-800-934-2727  
[www.motivegear.com](http://www.motivegear.com)

Motive Gear is the Light Duty & 4x4 Division of Midwest Truck And Auto Parts

**Motive Gear®**