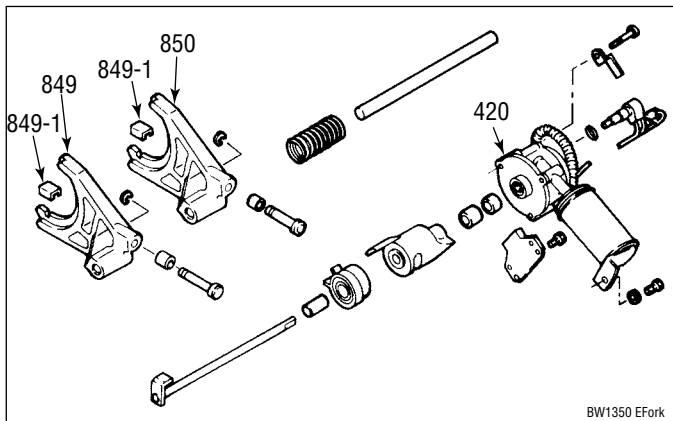
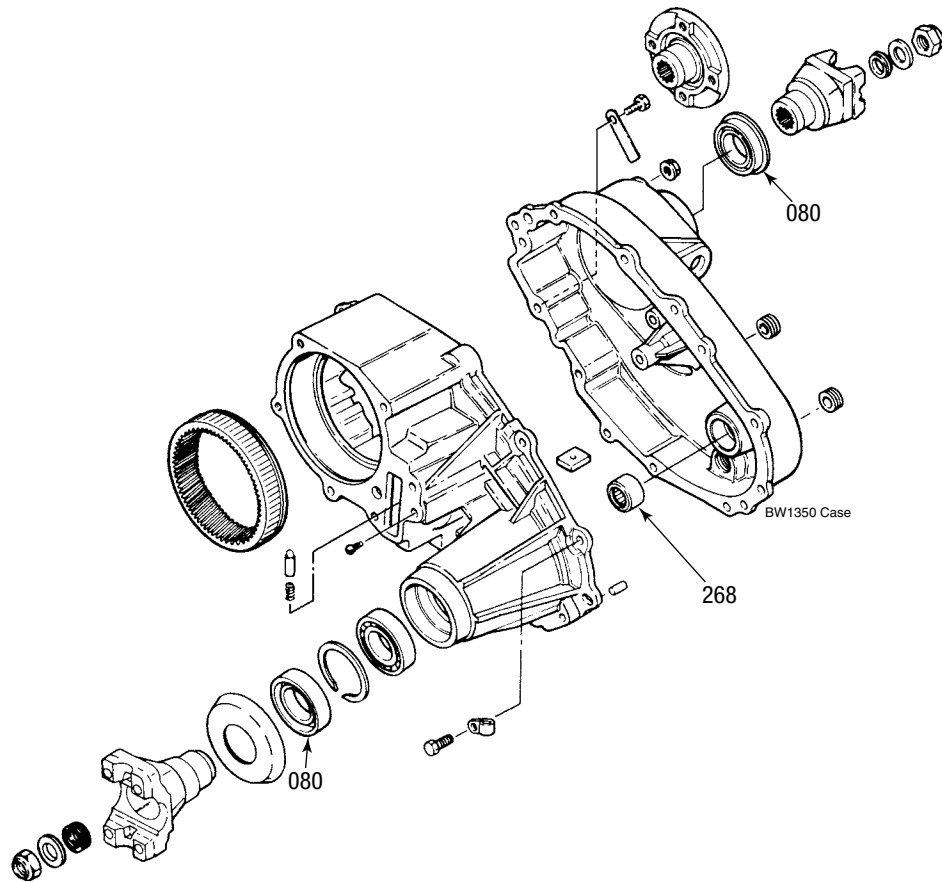
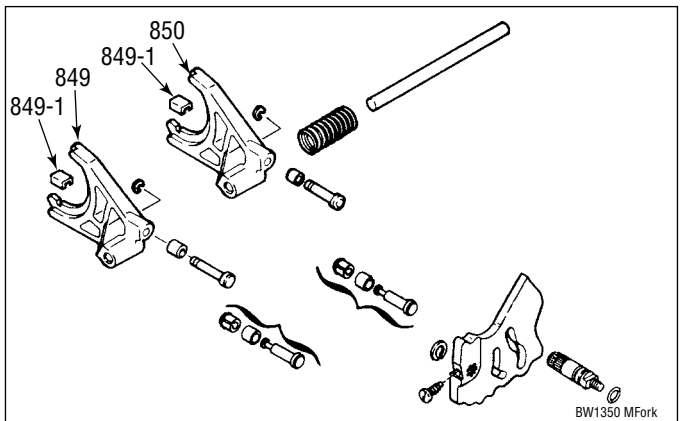


BW 1350, BW 1354



ELECTRIC SHIFT

BW1350 EFork



MECHANICAL SHIFT

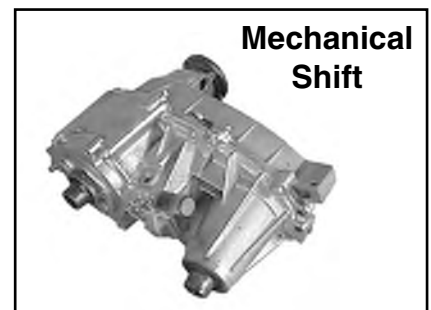
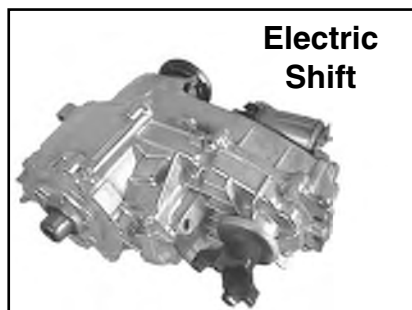
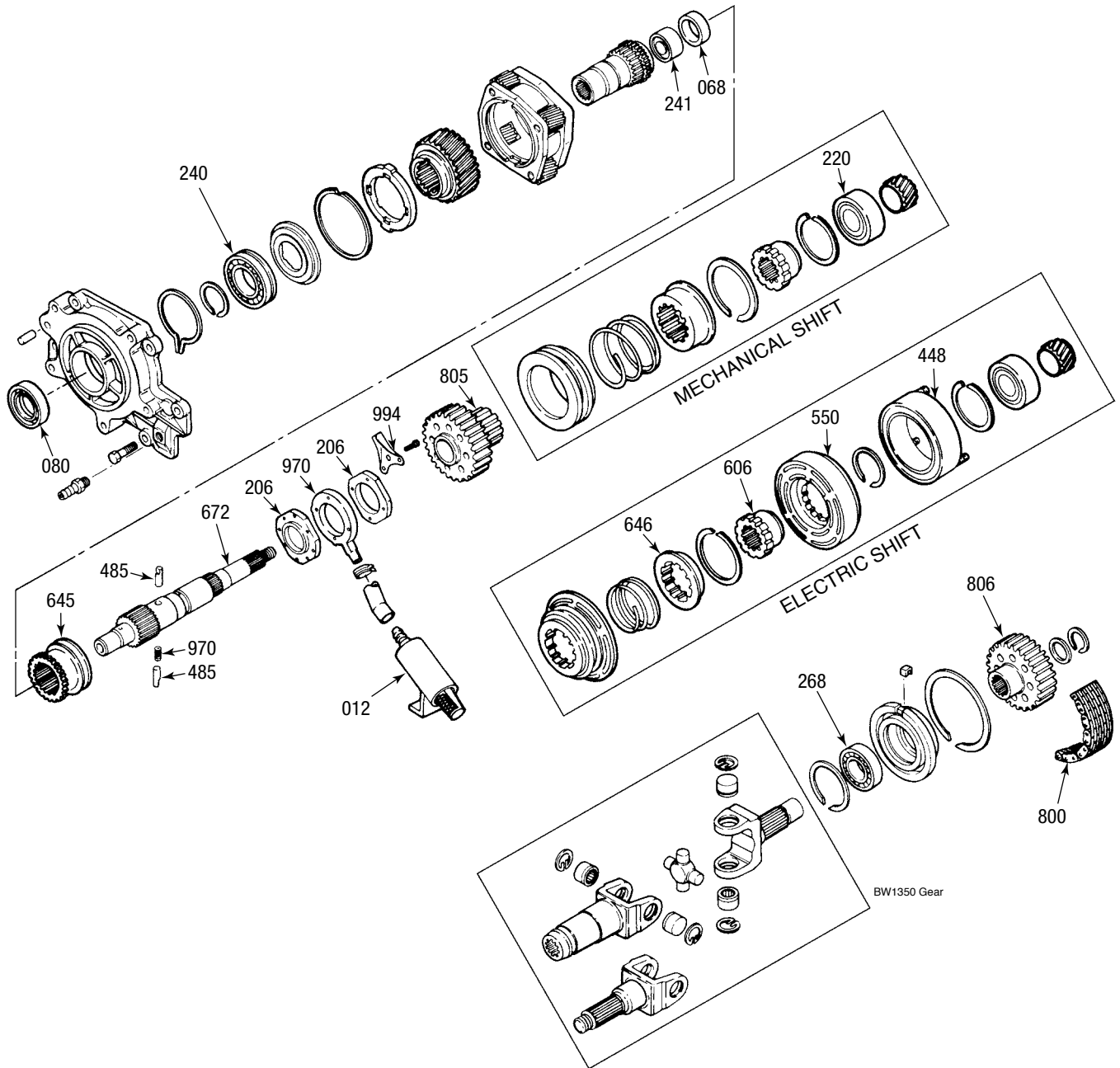
BW1350 MFork

Ford

(Cast 13-50, 13-54)

BW 1350, BW 1354

BW 1350, BW 1354



ILL#	Description	Part #	Reference
Bearing Kit			
	BW 1350 (Cast 13-50)	BK1350	
Gasket & Seal Kits			
	BW 1350	TSK1350	TSK-1350
Filters			
012	Pump Screen (Filter) (use 315500K)	305012	1345-238-001
Seals			
080	Seal, Input (Front)	305080	1000-044-054
080	Seal, Output (Front)	315080	1000-044-051
080	Seal, Output (Rear)	345080	1350-45A
Gaskets			
	Transfer Case to Adapter Gasket (A4LD, 4R44E, 5R55E, 5R55W)	315770-1	1350-143
	Transfer Case to Adapter Gasket (C-6)	325770	
	Transmission to Adapter Gasket (C-3, A4LD, 4R44E, 4R55E)	56305	
Bearings			
268	Front Output Shaft Bearing (Front)	426268	108
268	Front Output Shaft Bearing (Center)	351268	6206-N
268	Front Output Shaft Bearing (Rear)	315268	JH1612
241	Input Shaft Bearing (Inner)	315241	M18161
240	Input Bearing	351240B	109L
220	Output Bearing (Rear)	351268	6206-N
Bushings			
068	Bushing, Input to Output	305068	1345-127-002
Forks			
849	Range Fork	315849	1350-096-004
850	Mode Fork	315850	1354-096-003
	Fork Insert Kit	315840K	INSK-1350
Hubs & Sliders			
606	Mode Hub (Electric Shift)	315606	1350-090-002
645	Range Slider	315645	1350-089-001
646	Mode Slider (Lockup Collar) Electric	315646	4400-055-001
Pumps & Components			
	Pump Kit	315500K	PK1350
999	Lube tube (use 315500K)	315999	1356-034-001
485	Main Shaft Pin (use 315500K)	315485	1345-043-007
012	Pump Screen (Filter) (use 315500K)	305012	1345-238-001
206	Pump Support Spacer (Pump to Drive Sprocket) (use 315500K)	315206	1345-039-005
206	Spacer, Pump Support to Range Slider (use 315500K)	315206A	1345-039-007
994	Pump Housing Retainer Bracket (use 315500K)	315994	1350-056-004
Shafts, Sprockets, Chains			
672	Rear Output Shaft	315672	1350-171-001
805	Drive Sprocket	305805	1345-144-001
800	Chain (1.25" Wide) 31 Links	HV-022	TC10-022
Miscellaneous Components			
420	Shift Motor (Square w/ 10 Prongs & 7 Wires) (BW 1350)	315420	F9TZ-7G360-AA
420	Shift Motor (Round w/ 8 Prongs & 7 Wires) (BW 4416)	315420A	2L1Z-7G360-AB
550	Electric Clutch Housing	315550	1354-212-001
448	Magnet	315448	4400-645-006

ILL#	Description	Part #	Reference
Bearing Kit			
	BW 1354 (Cast 13-54)	BK1354	
Gasket & Seal Kits			
	BW 1354	TSK1354	TSK-1354
Filters			
012	Pump Screen (Filter) (use 315500K)	305012	1345-238-001
Seals			
080	Seal, Input (Front)	315080	1000-044-051
080	Seal, Output (Front)	315080	1000-044-051
080	Seal, Rear Output	315080	1000-044-051
Gaskets			
	Transfer Case to Adapter Gasket (A4LD, 4R44E, 5R55E, 5R55W)	315770-1	1350-143
	Transfer Case to Adapter Gasket (C-6)	325770	
	Transmission to Adapter Gasket (C-3, A4LD, 4R44E, 4R55E)	56305	
Bearings			
268	Front Output Shaft Bearing (Center)	351268	6206-N
268	Front Output Shaft Bearing (Rear)	315268	JH1612
240	Input Bearing	351240B	109L
241	Input Shaft Bearing (Inner)	315241	M18161
220	Output Bearing (Rear)	351268	6206-N
Bushings			
068	Bushing, Input to Output	305068	1345-127-002
Forks			
850	Mode Fork	315850	1354-096-003
849	Range Fork (use w/ 1354-000-004, 005, 014)	315849	1350-096-004
849	Range Fork (except 1354-000-004, 005, 014)	315849A	1354-596-001
849-1	Range Fork Insert (use w/ 1354-000-004, 005, 014)	305849-1	1345-235-001
849-1	Range Fork Insert (except 1354-000-004, 005, 014)	315849-1	1356-235-001
Hubs & Sliders			
606	Mode Hub (Electric Shift)	315606	1350-090-002
646	Mode Slider (Lockup Collar) Electric	315646	4400-055-001
645	Range Slider (use w/ 1354-000-004, 005, 014)	315645	1350-089-001
645	Range Slider (except 1354-000-004, 005, 014)	315645A	1354-089-002
Pumps & Components			
	Pump Kit (Complete)	315500K	PK1350
	Aluminum Pump	315500	4400-508-001
485	Main Shaft Pin (use 315500K)	315485	1345-043-007
206	Pump Support Spacer (Pump to Drive Sprocket) (use 315500K)	315206	1345-039-005
206	Spacer, Pump Support to Range Slider (use 315500K)	315206A	1345-039-007
994	Pump Housing Retainer Bracket (use 315500K)	315994	1350-056-004
Shafts, Sprockets, Chains			
672	Main Shaft (1350 style pump type)	315672	1350-171-001
672	Main Shaft (Aluminum Pump)	315672A	1354-171-005
805	Drive Sprocket	315805	1350-144-003
806	Driven Sprocket	315806	1354-144-004
800	Chain (1.25" Wide) 31 Links	HV-022	TC10-022
Miscellaneous Components			
420	Shift Motor (Round w/ 8 Prongs & 7 wires) (BW 1354)	315420A	2L1Z-7G360-AB
550	Electric Clutch Housing	315550	1354-212-001
448	Magnet	315448	4400-645-006